

[54] ELECTRIC CONNECTOR OR THE LIKE

[75] Inventor: Sigeru Kikuta, Tokyo, Japan

[73] Assignee: Hirose Electric Co., Ltd., Tokyo, Japan

[**] Term: 14 Years

[21] Appl. No.: 719,716

[22] Filed: Mar. 28, 1985

[30] Foreign Application Priority Data

Sep. 28, 1984 [JP]	Japan	59-40320
Sep. 28, 1984 [JP]	Japan	59-40322
Sep. 28, 1984 [JP]	Japan	59-40323
Sep. 28, 1984 [JP]	Japan	59-40324
Sep. 28, 1984 [JP]	Japan	59-40325
Feb. 26, 1985 [JP]	Japan	60-7256
Feb. 27, 1985 [JP]	Japan	60-7503
Feb. 27, 1985 [JP]	Japan	60-7504

[52] U.S. Cl. D13/24

[58] Field of Search D13/11-13, D13/20, 23, 24-31, 99; 339/176 R, 176 M, 176 MP, 154 A, 154 R

[56] References Cited

U.S. PATENT DOCUMENTS

D. 251,246	3/1979	Thomas et al.	D13/24
3,491,328	1/1970	Geis, Jr.	339/176 M
4,113,337	9/1978	McKee	339/176 M

FOREIGN PATENT DOCUMENTS

0041264 12/1981 European Pat. Off. 339/154 R

Primary Examiner—Susan J. Lucas

Assistant Examiner—Clare E. Heflin

Attorney, Agent, or Firm—Fleit, Jacobson, Cohn & Price

[57] CLAIM

The ornamental design for an electric connector or the like, substantially as shown and described.

DESCRIPTION

FIG. 1 is a top perspective view of the electric connector or the like showing my new design;

FIG. 2 is a front elevational view thereof, the rear view being identical;

FIG. 3 is a top plan view thereof;

FIG. 4 is a bottom plan view thereof;

FIG. 5 is a right side elevational view thereof, the left side being identical;

FIG. 6 is a cross-sectional view thereof taken along line 6-6 of FIG. 3;

FIG. 7 is an exploded bottom perspective view thereof;

FIG. 8 is an exploded front elevational view thereof;

FIG. 9 is an exploded right side elevational view thereof;

FIG. 10 is a bottom plan view of the electric connector or the like showing my new design with the pressing and holding plate being omitted for clarity of disclosure;

FIG. 11 is a top plan view of the electric connector or the like showing my new design with the main body thereof being omitted for clarity of disclosure;

FIG. 12 is a bottom plan view thereof;

FIG. 13 is a top perspective view of the electric connector or the like showing a first alternate form of my new design;

FIG. 14 is a top perspective view of the electric connector or the like showing a second alternate form of my new design;

FIG. 15 is a top perspective view of the electric connector or the like showing a third alternate form of my new design; and

FIG. 16 is a top perspective view of an example of the electric connector of FIG. 1 in use, the environmental structure shown in broken lines forming no part of the design.

The main body and the pressing and holding plate of the connector are shown decoupled in FIGS. 7 through 9 for clarity of disclosure.

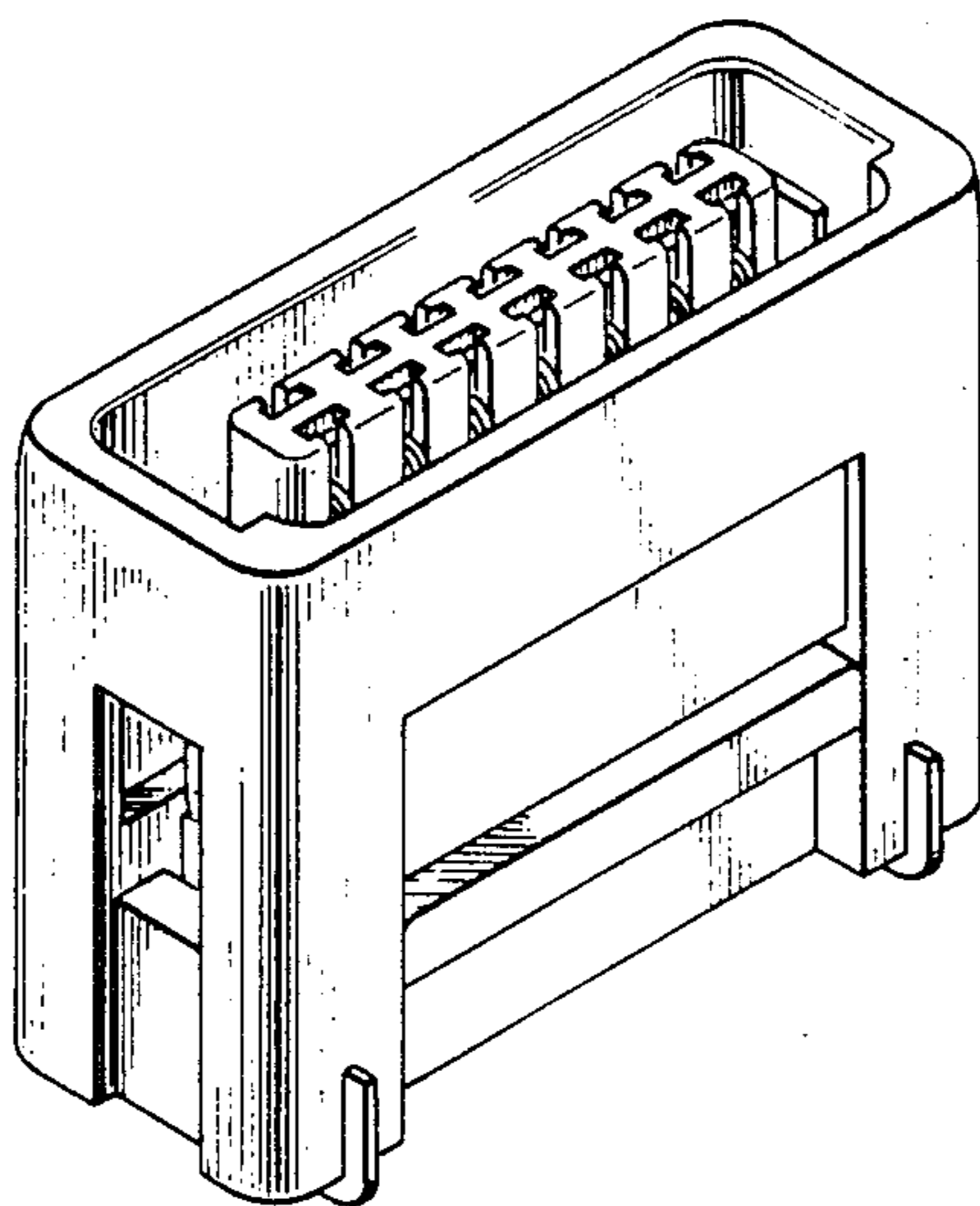


FIG. 1

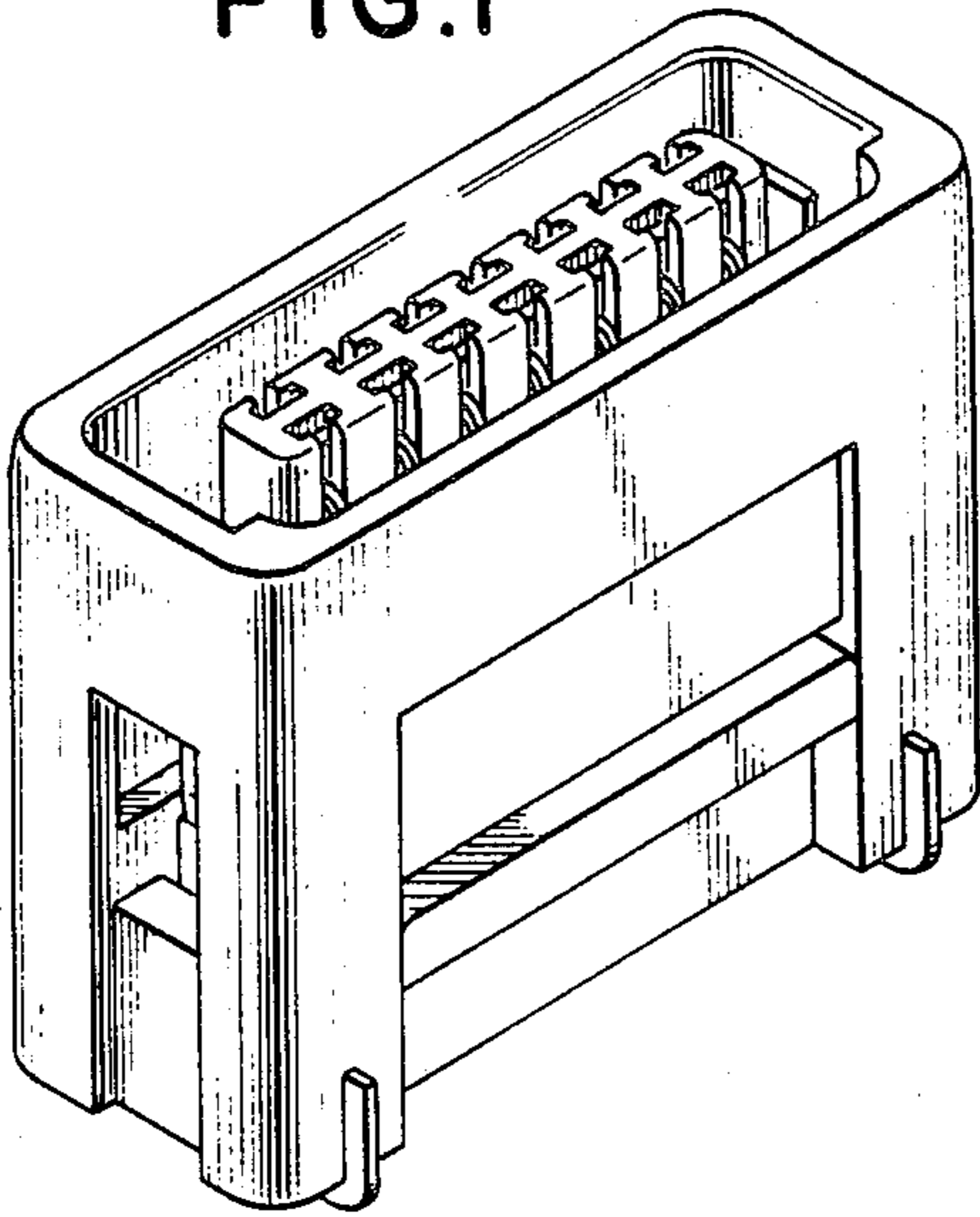


FIG. 2

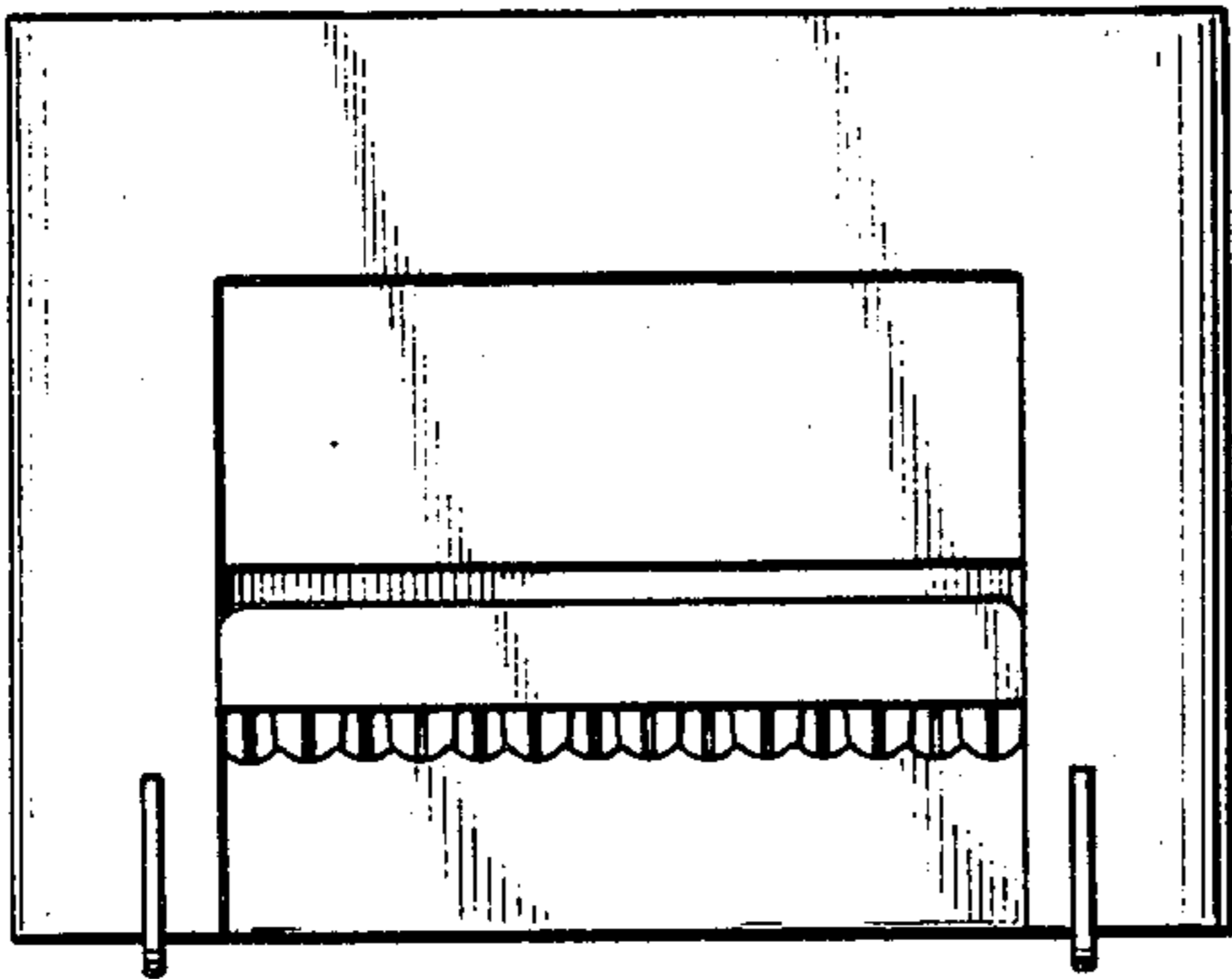


FIG. 3

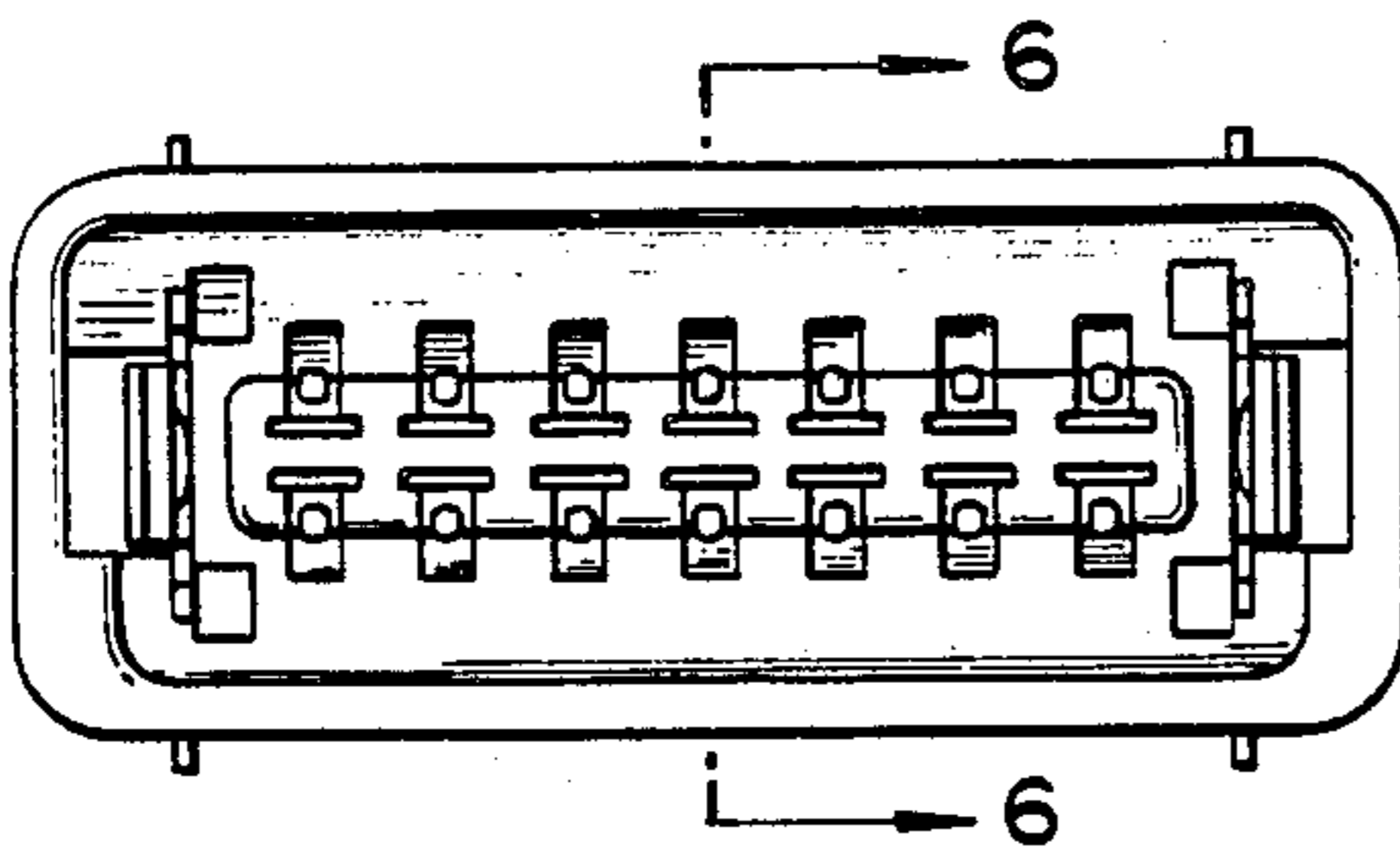


FIG. 4

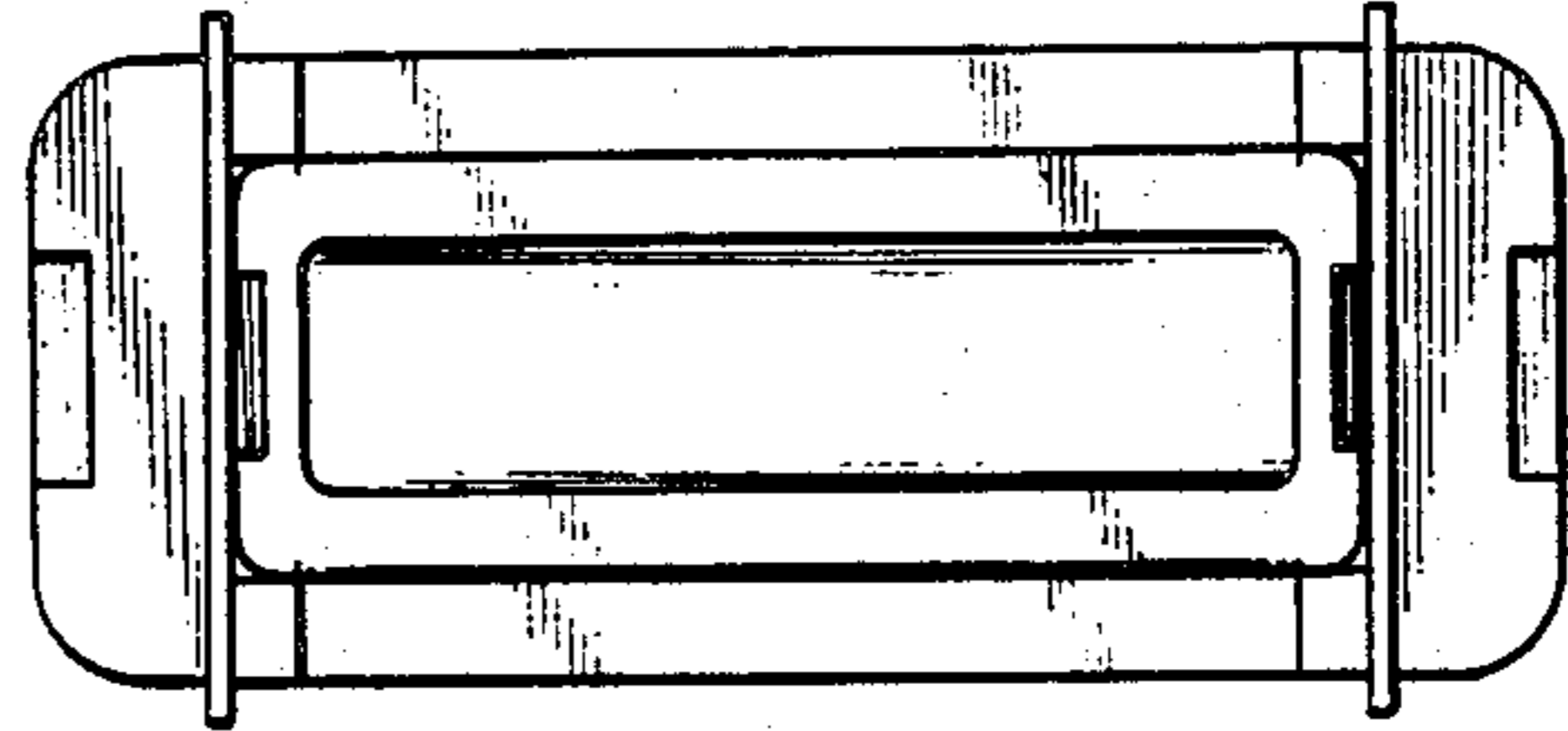


FIG. 5

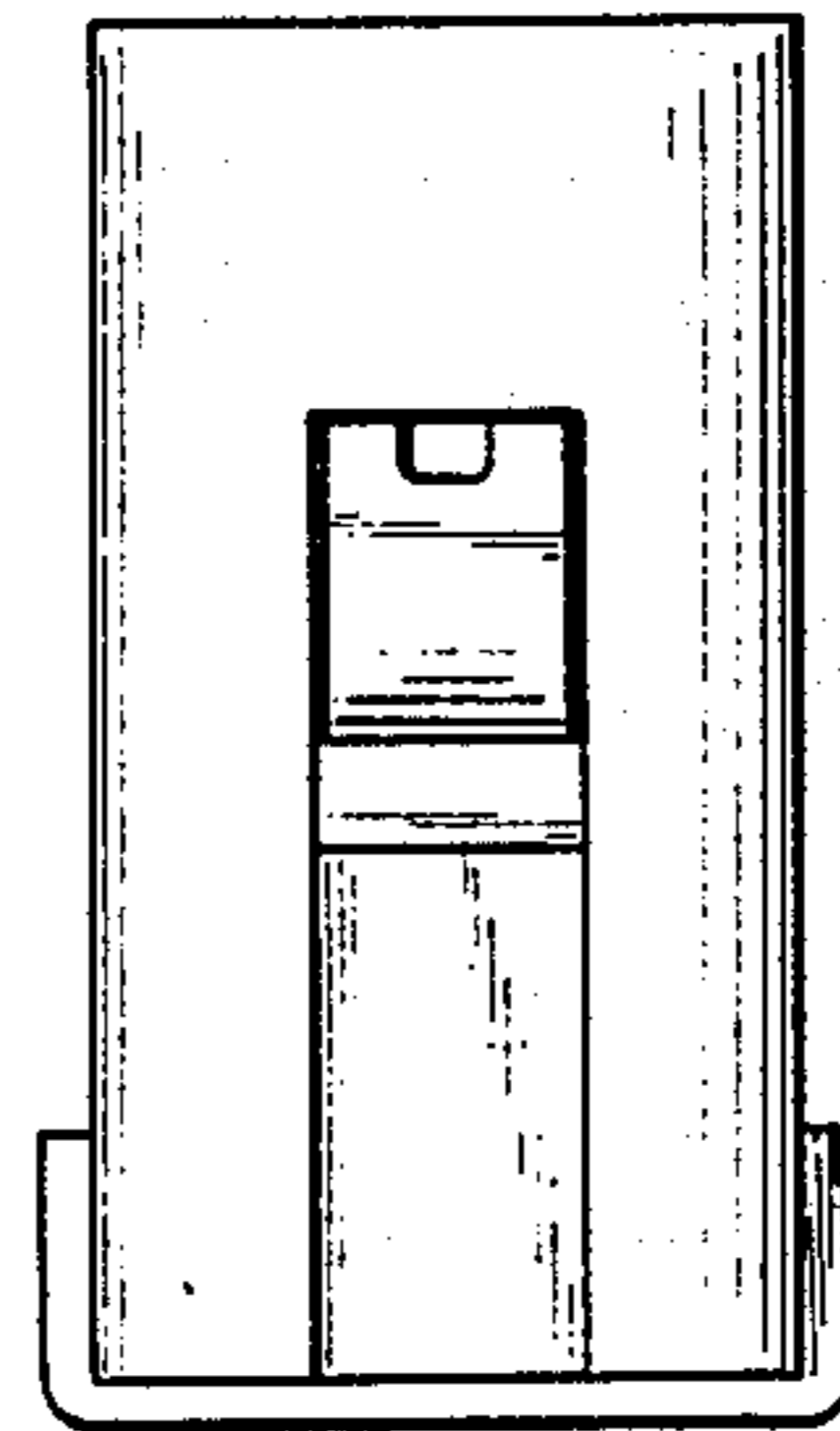
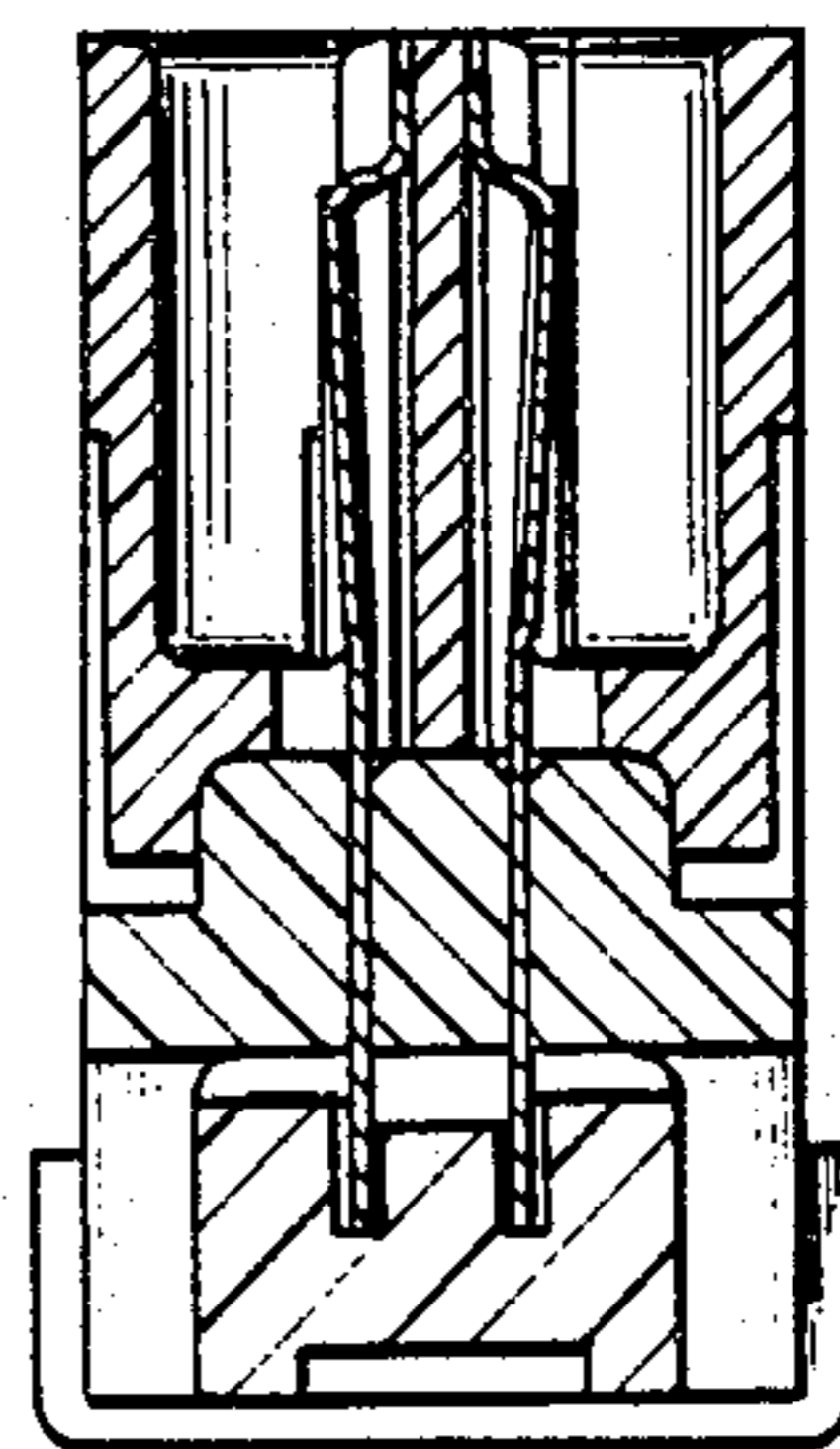


FIG. 6



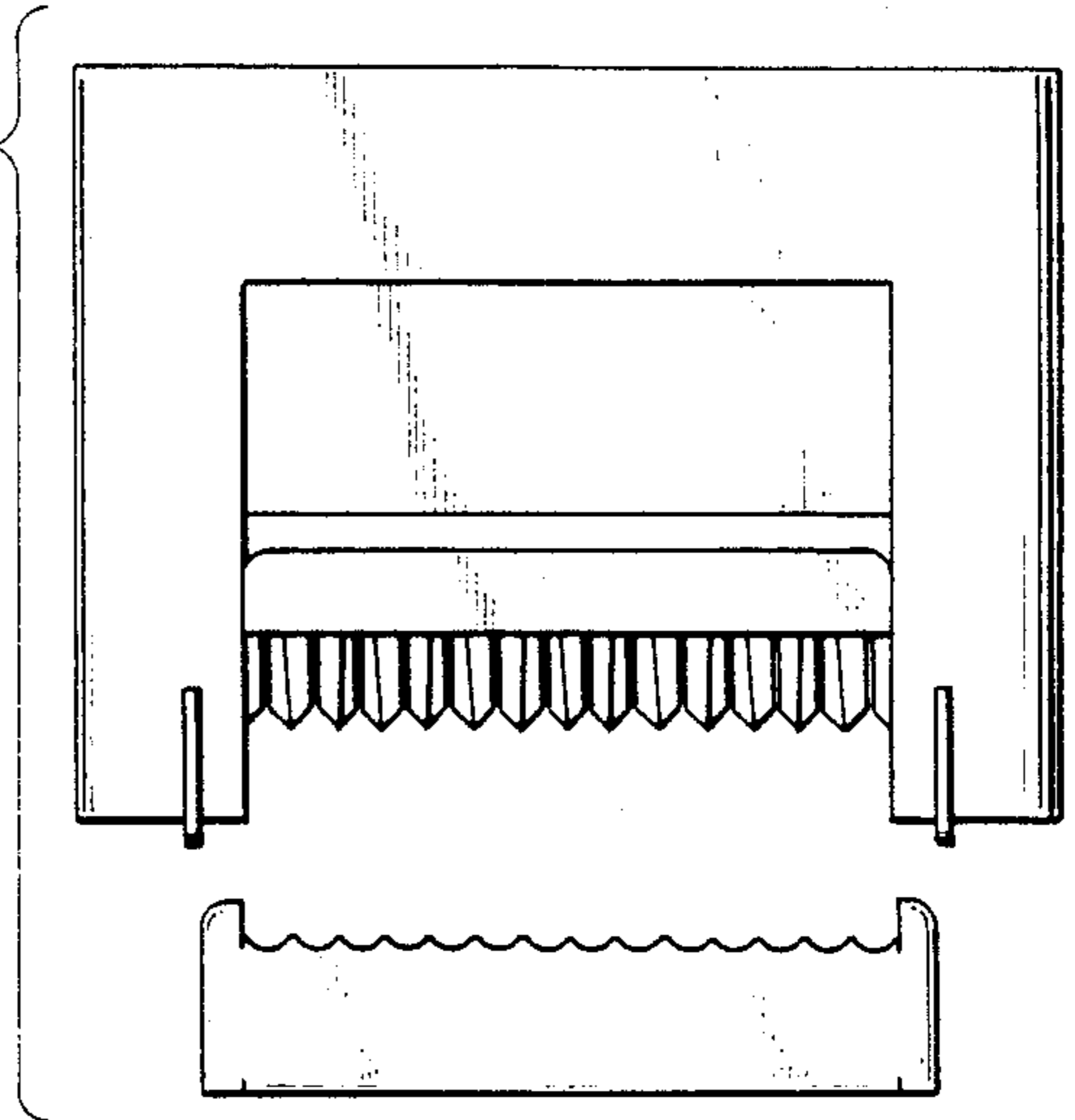
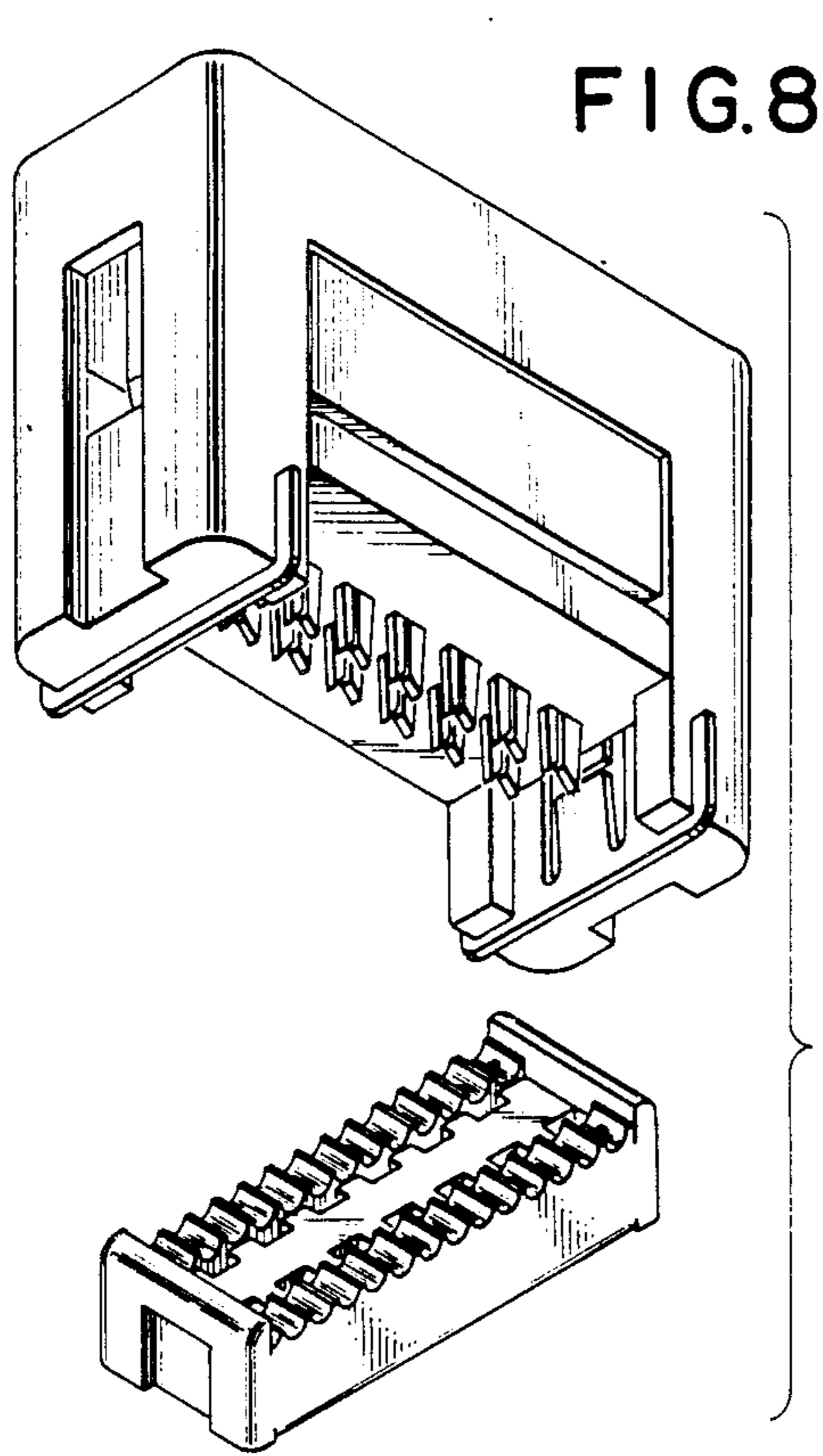


FIG. 7

FIG. 10

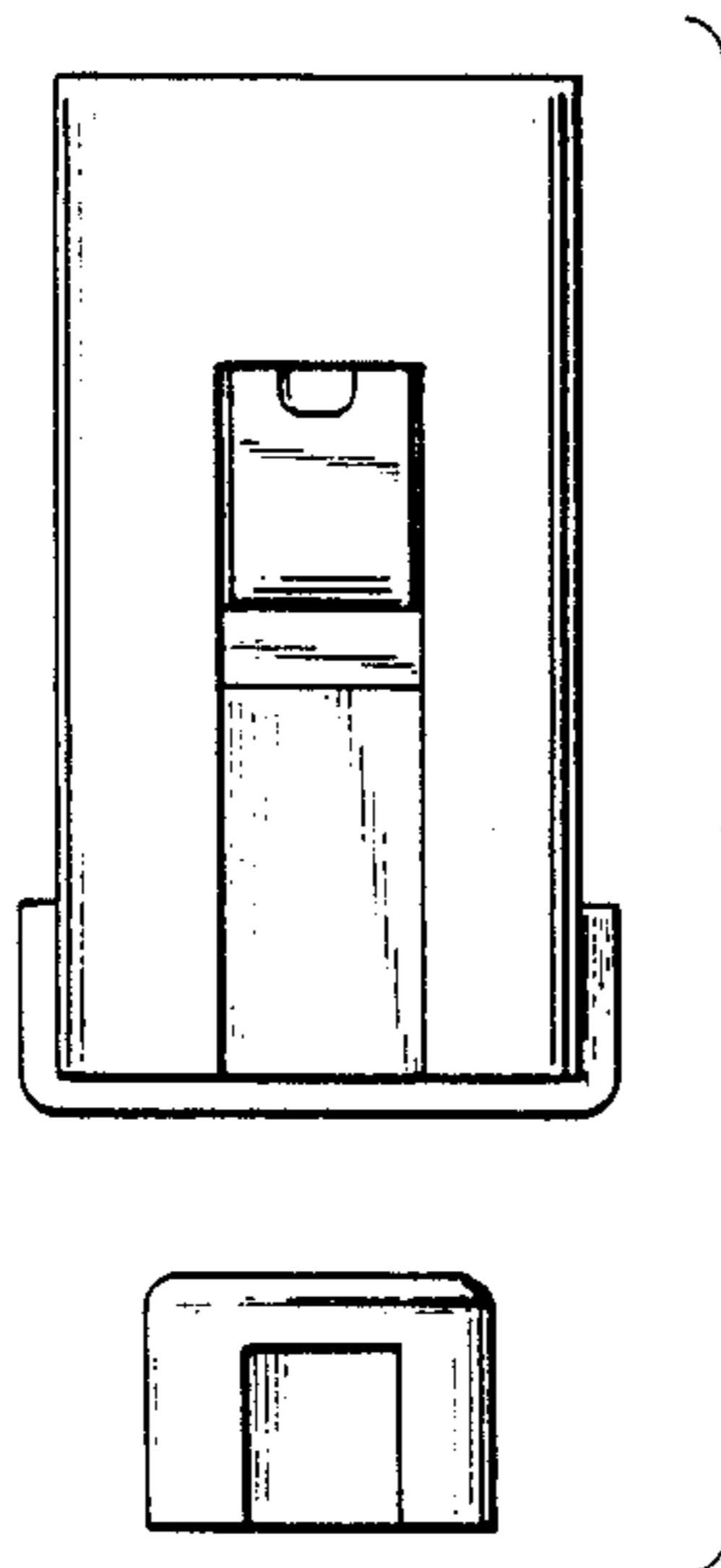
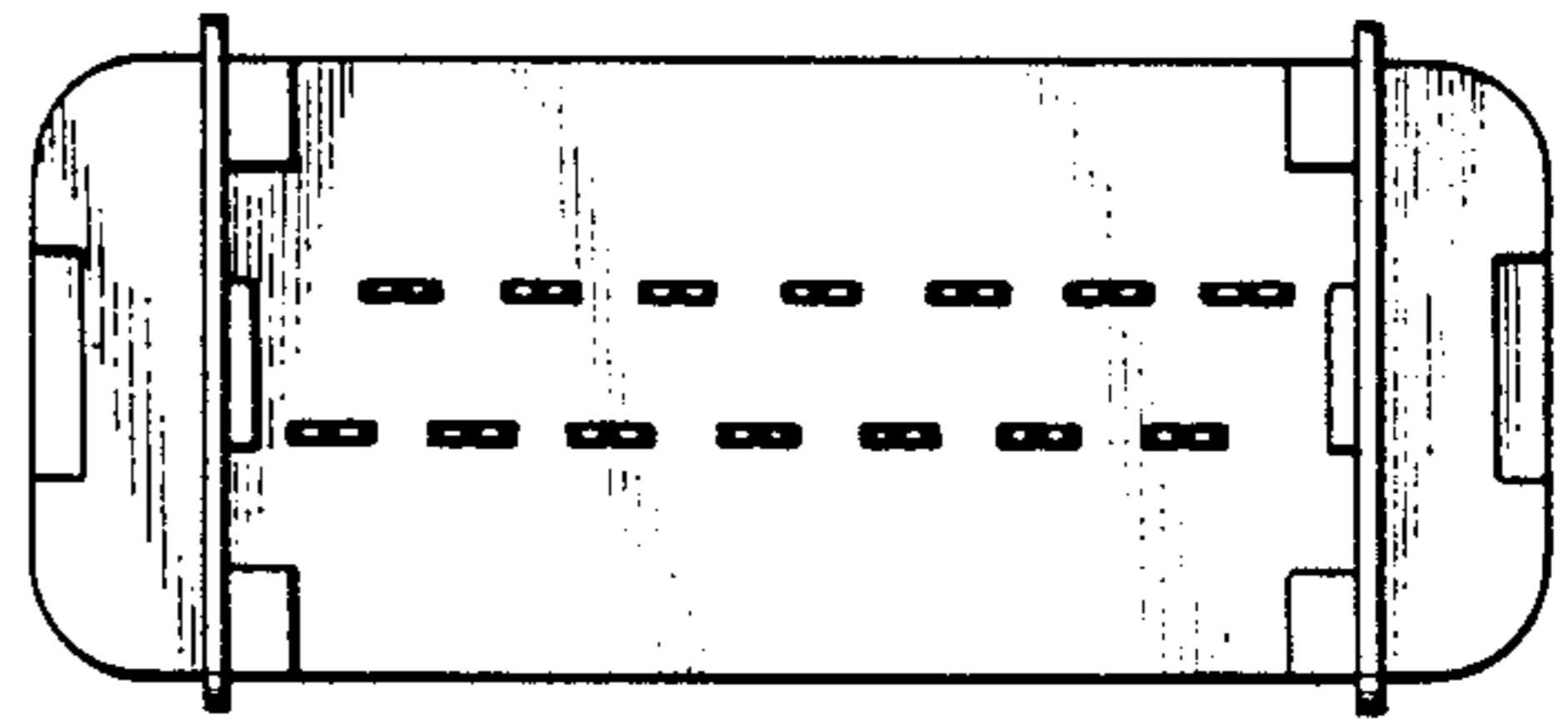


FIG. 9

FIG. 11

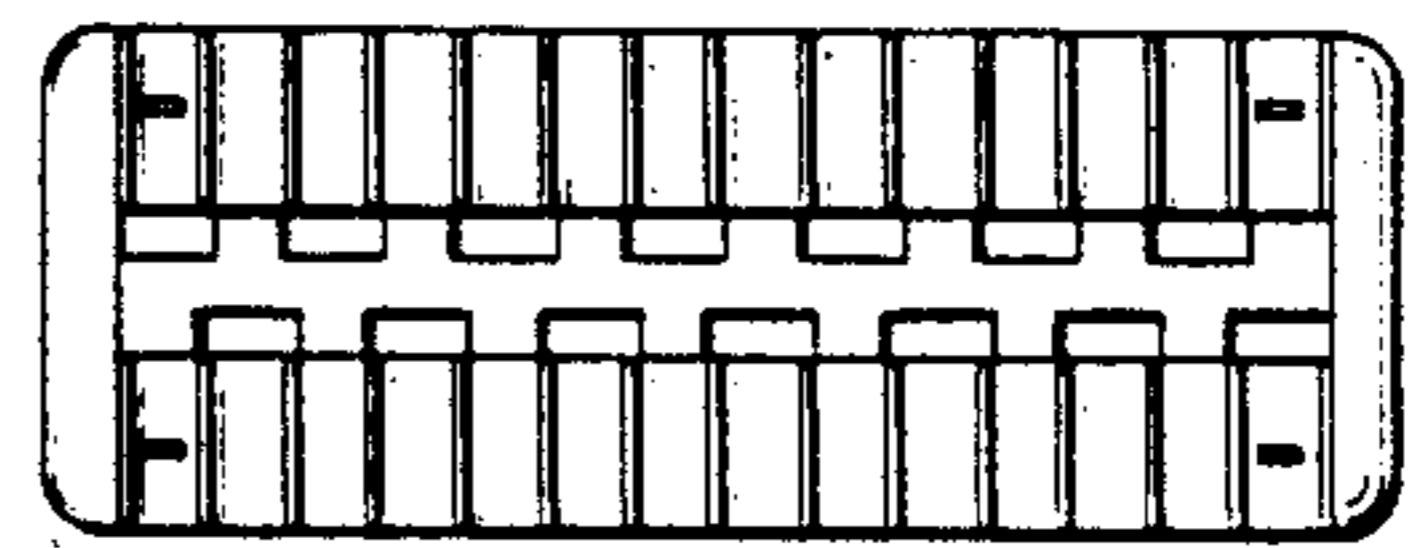


FIG. 12

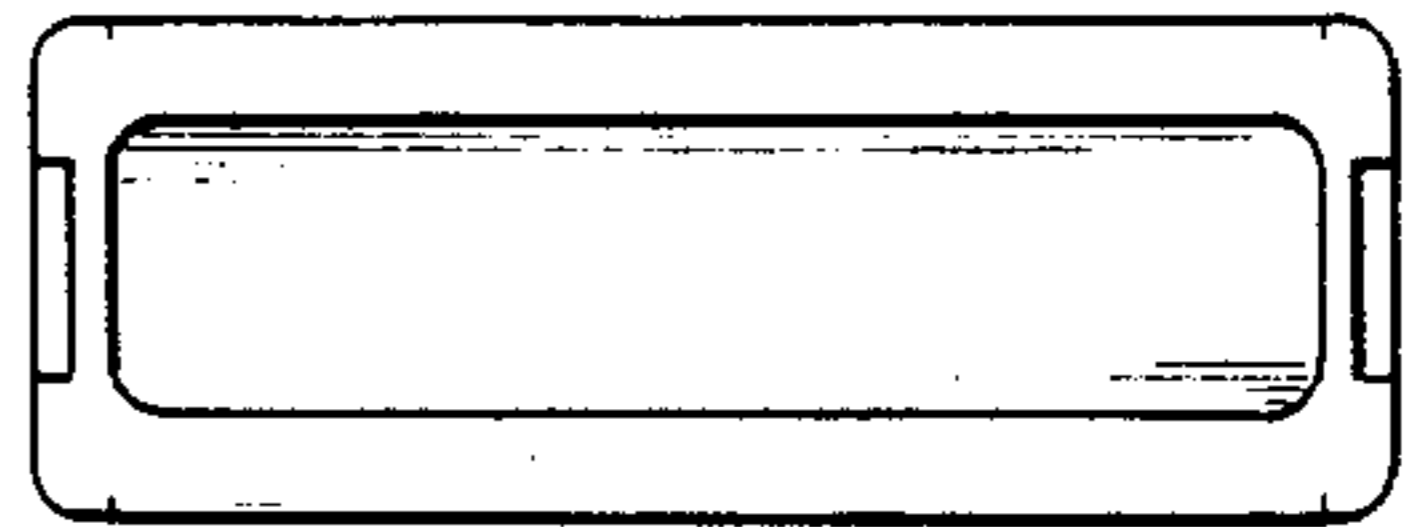


FIG. 13

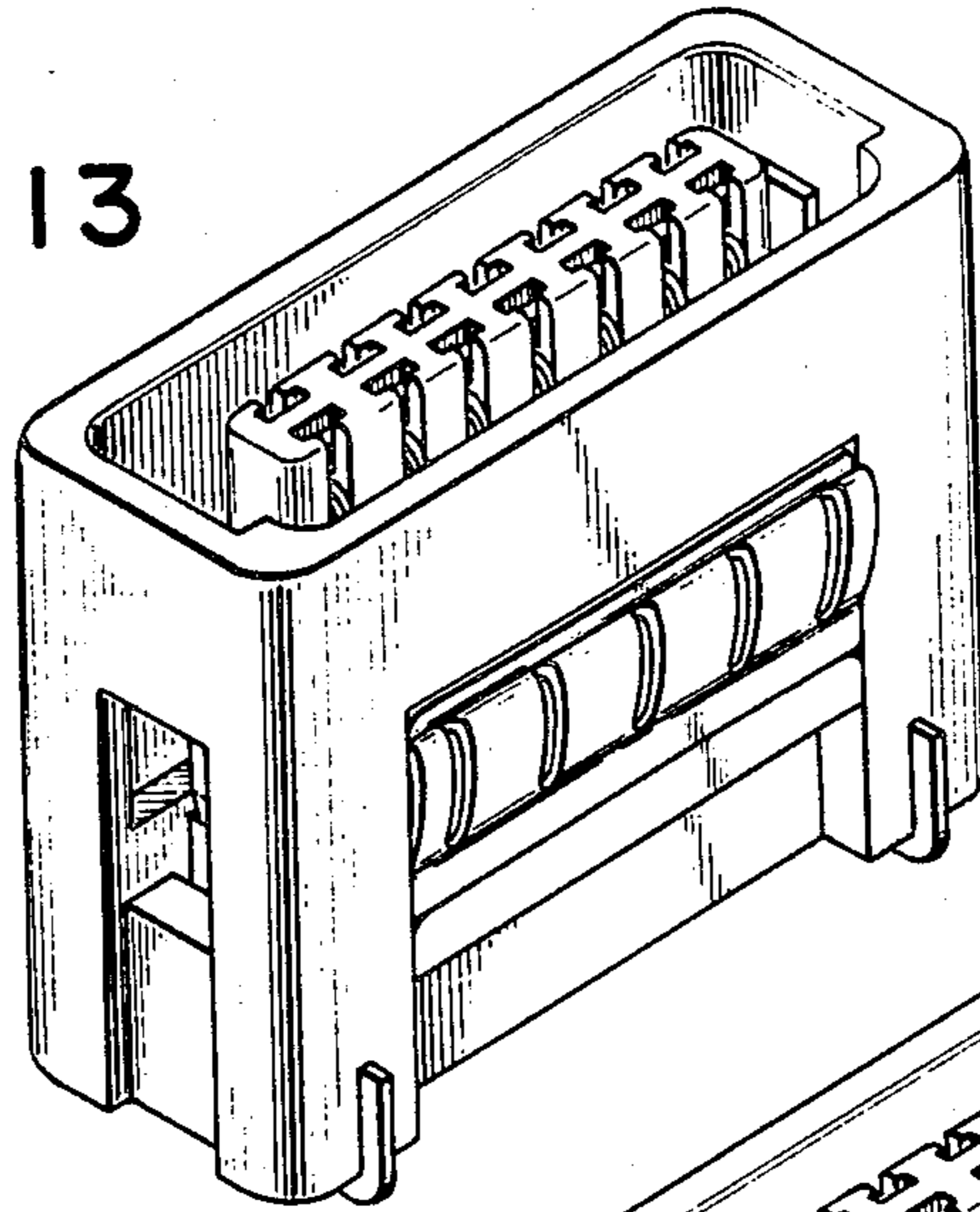


FIG. 14

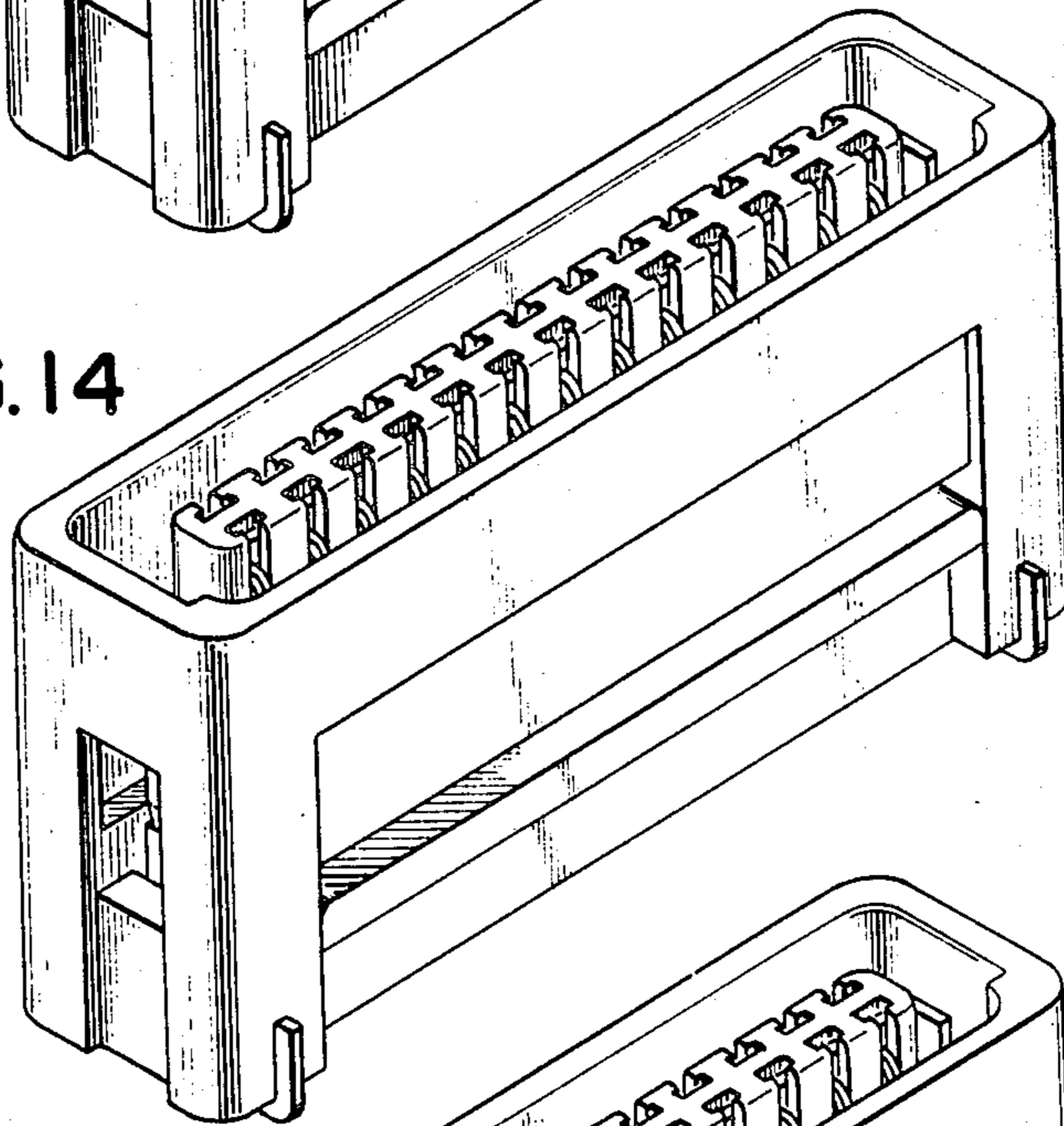


FIG. 15

