

[54] **BICYCLE BRAKE SHOE**  
[76] **Inventor: Richard C. Everett, 225 S. Sunshine La., West Linn, Oreg. 97221**  
[\*\*] **Term: 14 Years**  
[21] **Appl. No.: 764,139**  
[22] **Filed: Aug. 9, 1985**  
[52] **U.S. Cl. .... D12/180**  
[58] **Field of Search ..... D12/180; 188/250 R, 188/250 B, 73.1**

[56] **References Cited**  
**PUBLICATIONS**  
**American Bicyclist & Motorcyclist, 2/85, p. 51, Koo-**

1-Stop Continental Supra brake pad; center right side of page.

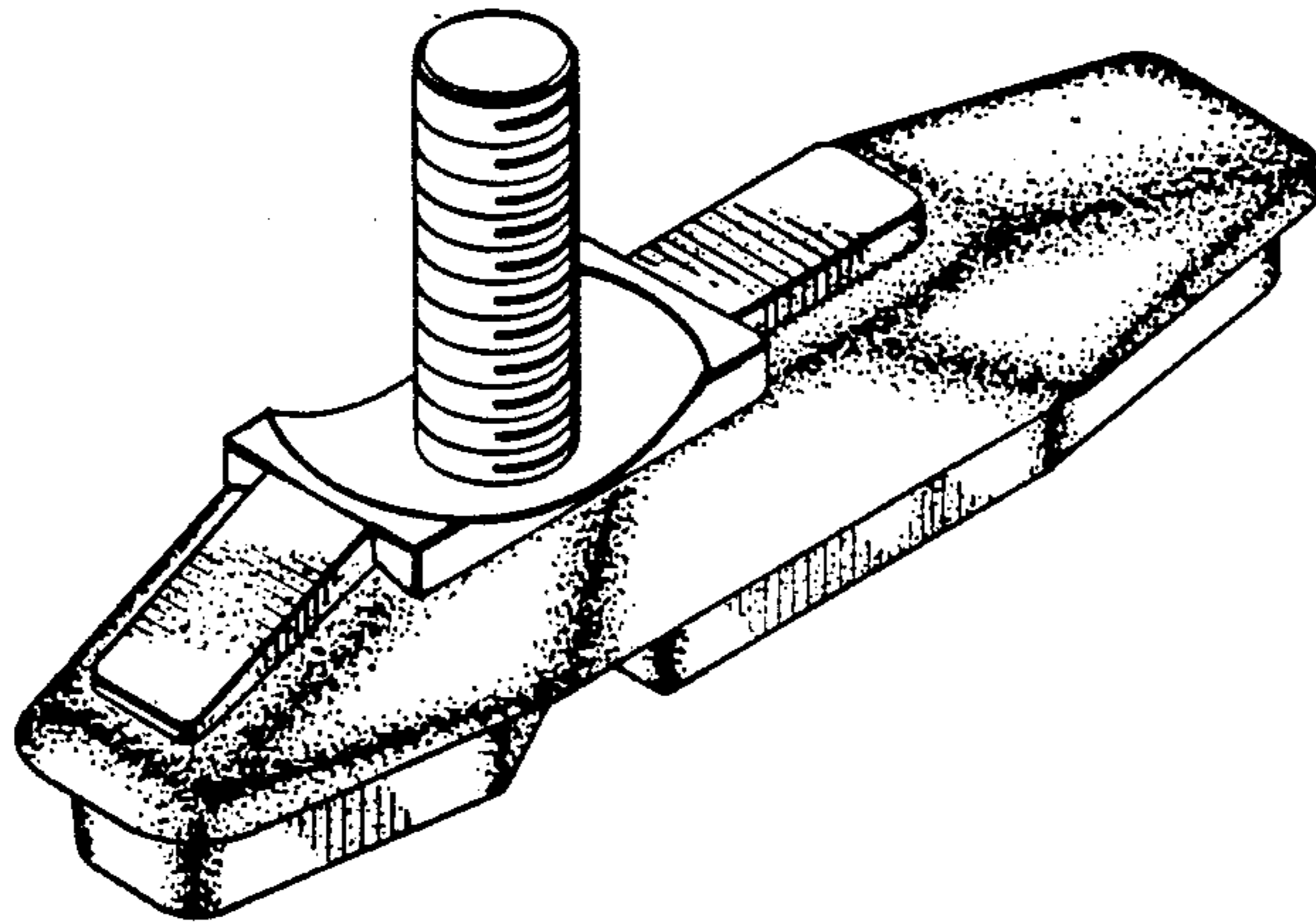
*Primary Examiner*—James M. Gandy  
*Attorney, Agent, or Firm*—Edward E. Roberts

[57] **CLAIM**

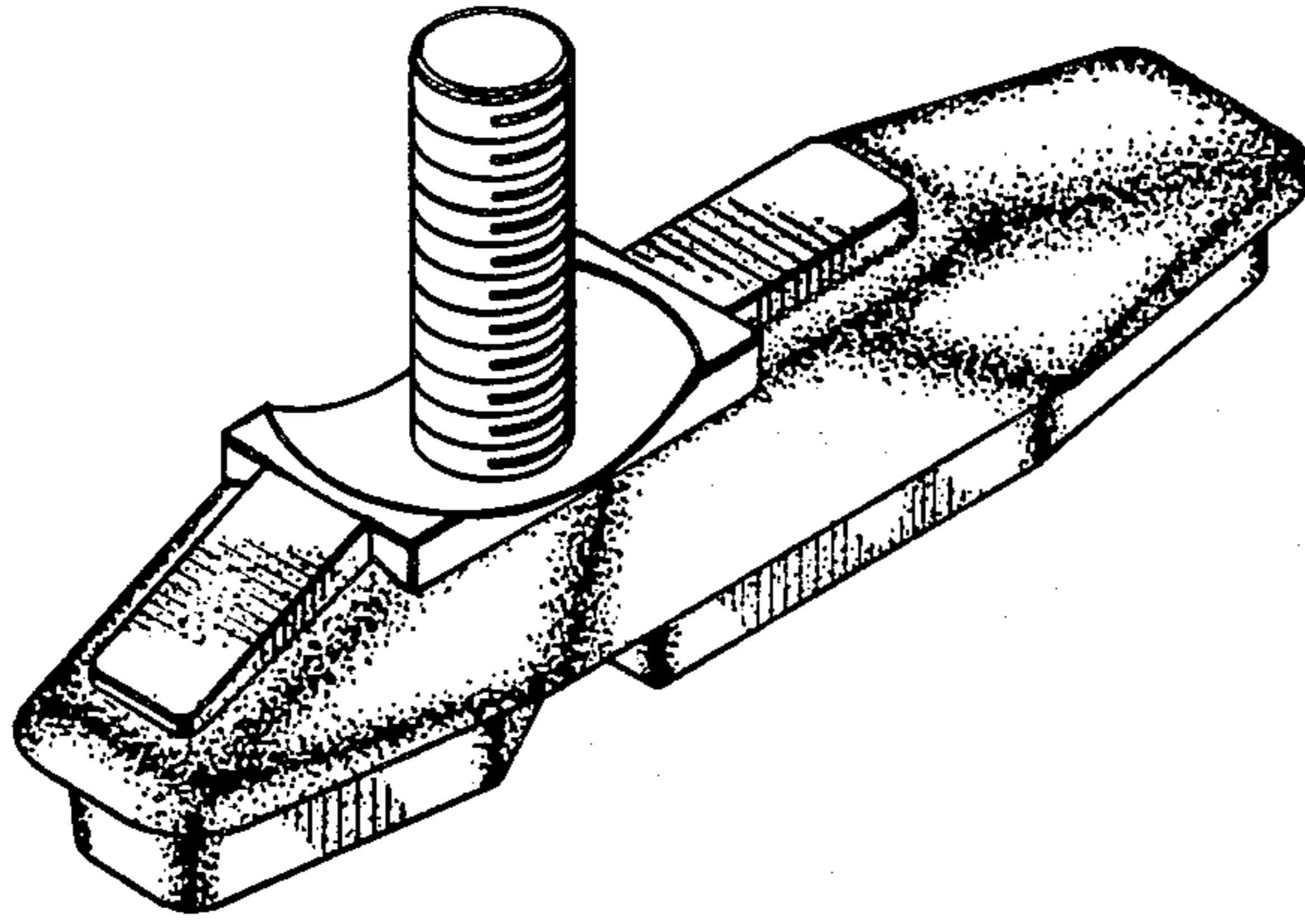
The ornamental design for a bicycle brake shoe, as shown.

**DESCRIPTION**

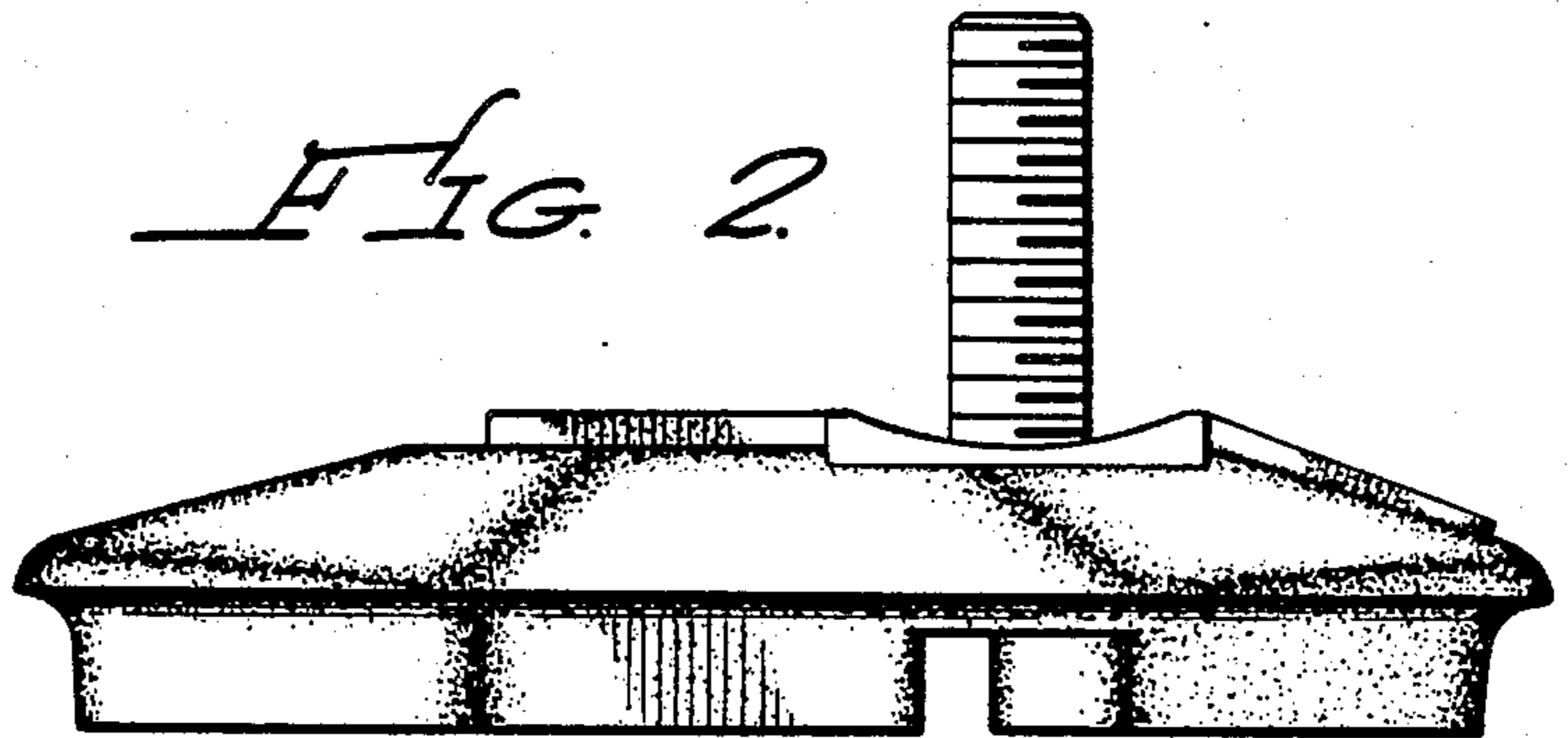
FIG. 1 is a perspective view of a bicycle brake shoe showing my new design;  
FIG. 2 is a side elevation view thereof;  
FIG. 3 is an end elevation view thereof; and  
FIG. 4 is a bottom plan view thereof.



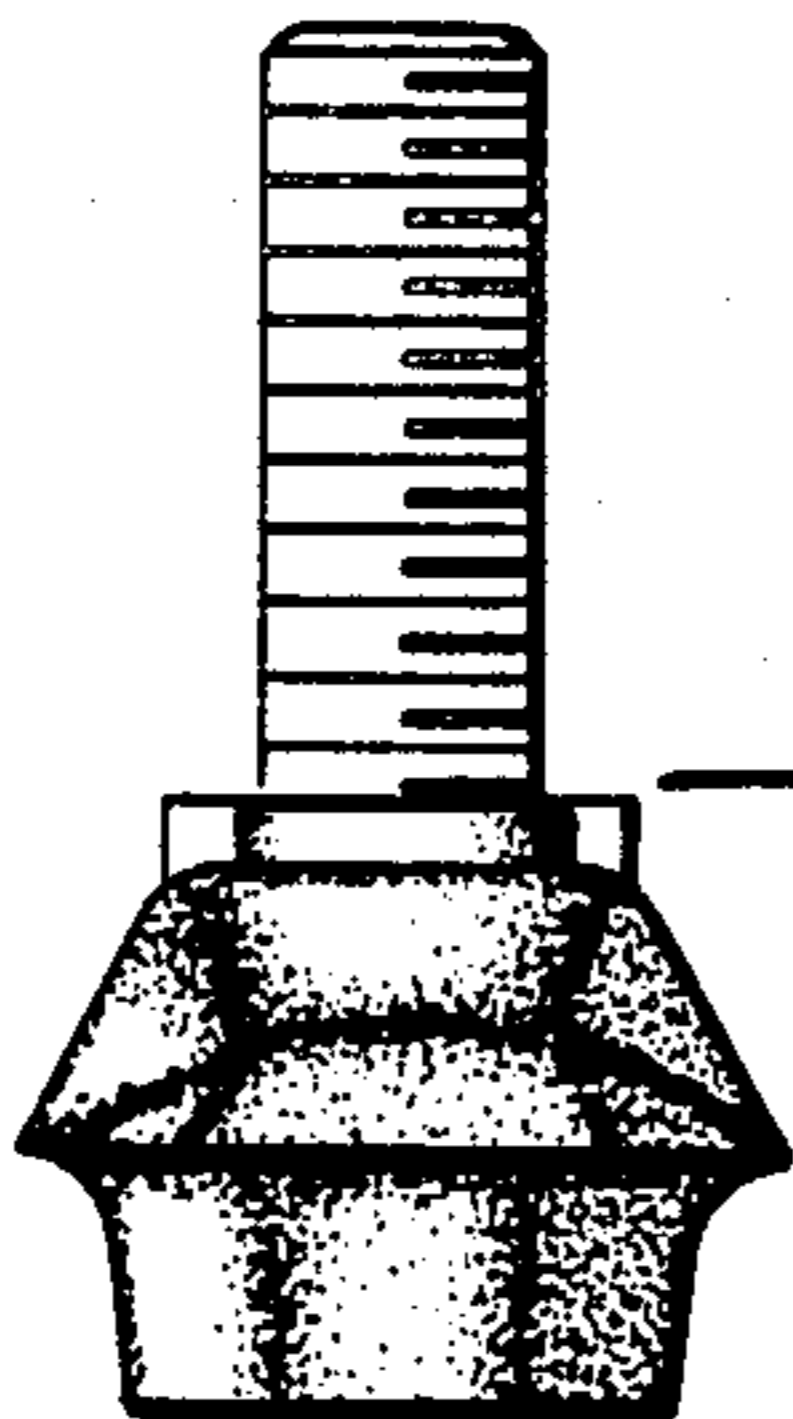
*FIG. 1.*



*FIG. 2.*



*FIG. 3.*



*FIG. 4.*

