

[54] STEERING WHEEL

[75] Inventor: Warwick M. Whitley, II, Panama City, Fla.

[73] Assignee: Attwood Corporation, Lowell, Mich.

[**] Term: 14 Years

[21] Appl. No.: 730,802

[22] Filed: May 6, 1985

[52] U.S. Cl. D12/176

[58] Field of Search D12/176; 74/552

[56] References Cited

U.S. PATENT DOCUMENTS

- D. 222,448 10/1971 Faul et al. D12/176
- 3,596,532 8/1971 Wilfert 74/552

OTHER PUBLICATIONS

1983-84 Attwood Product catalog, p. 50, 51, steering wheels.

Primary Examiner—James M. Gandy
Attorney, Agent, or Firm—Price, Heneveld, Cooper, DeWitt & Litton

[57] CLAIM

The ornamental design for a steering wheel, as shown and described.

DESCRIPTION

FIG. 1 is a front perspective view of a steering wheel showing my new design;

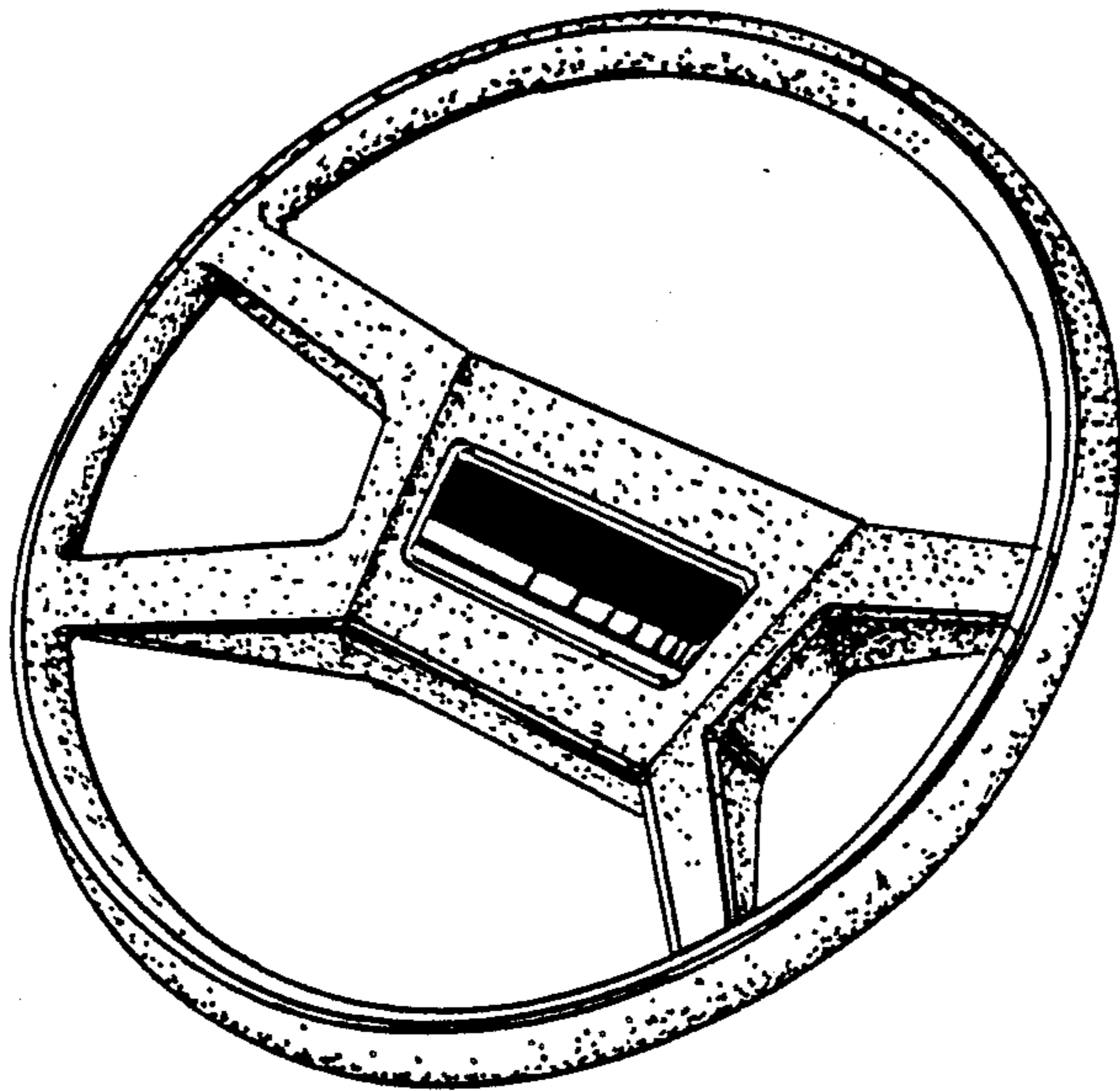
FIG. 2 is an enlarged front elevation view thereof;

FIG. 3 is a top plan view of FIG. 2;

FIG. 4 is a bottom plan view of FIG. 2;

FIG. 5 is a side elevation view of FIG. 2 the opposite side being a mirror image thereof; and

FIG. 6 is a rear elevation view of FIG. 2.



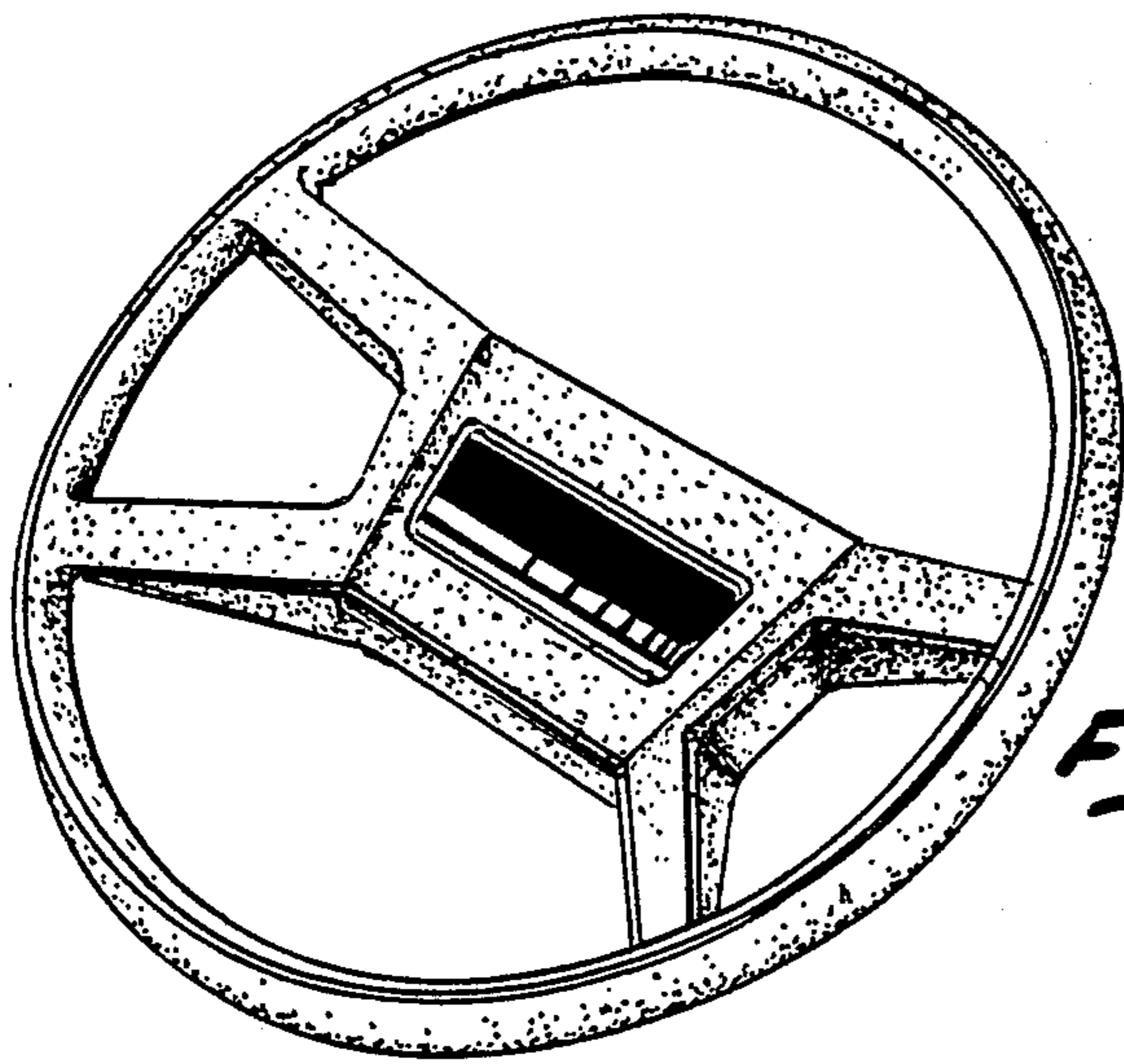


Fig. 1.

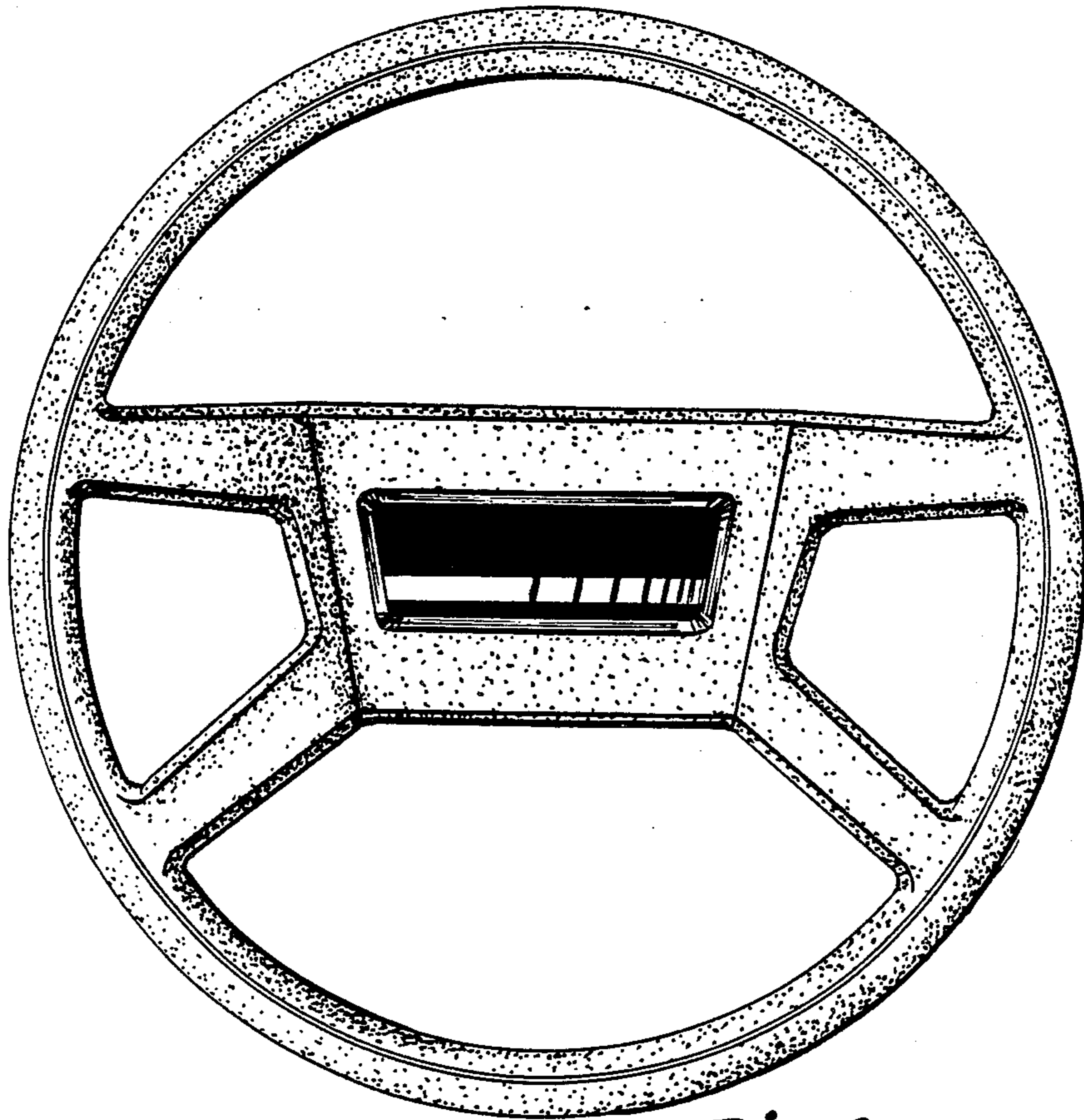


Fig. 2.

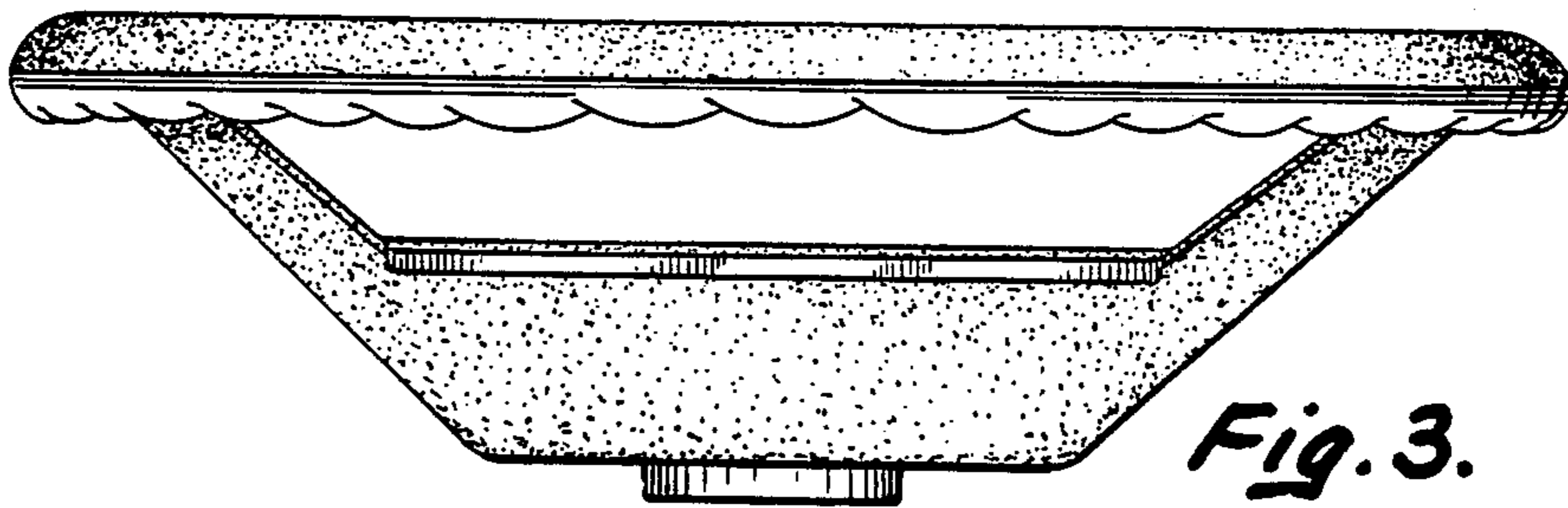


Fig. 3.

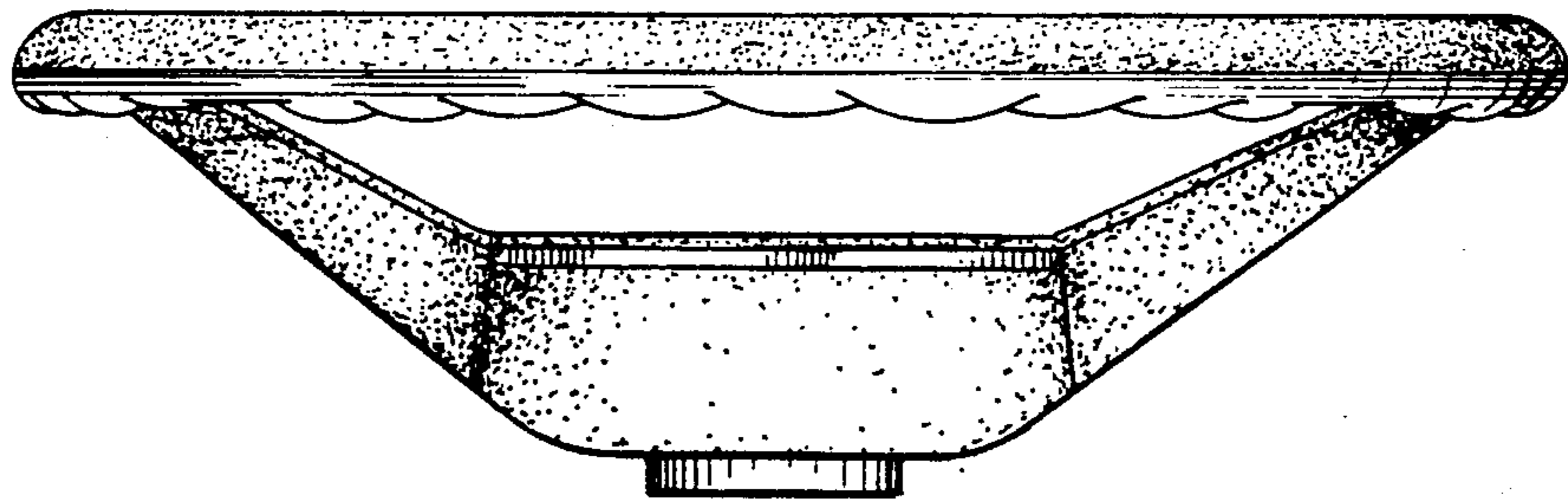


Fig. 4.

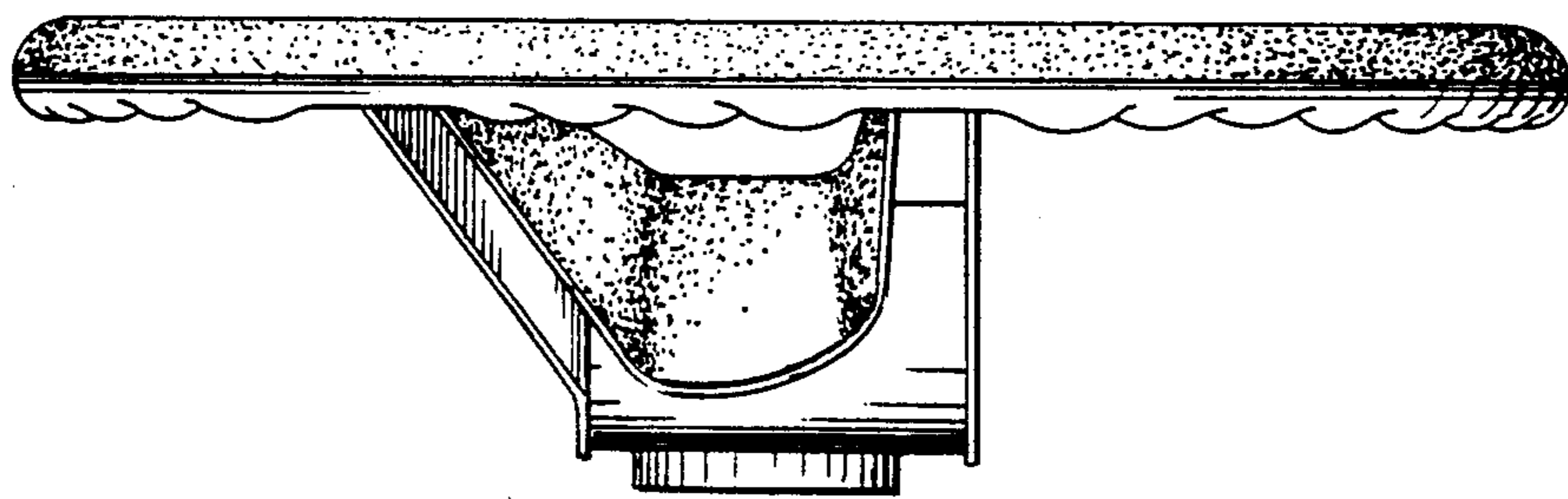


Fig. 5.

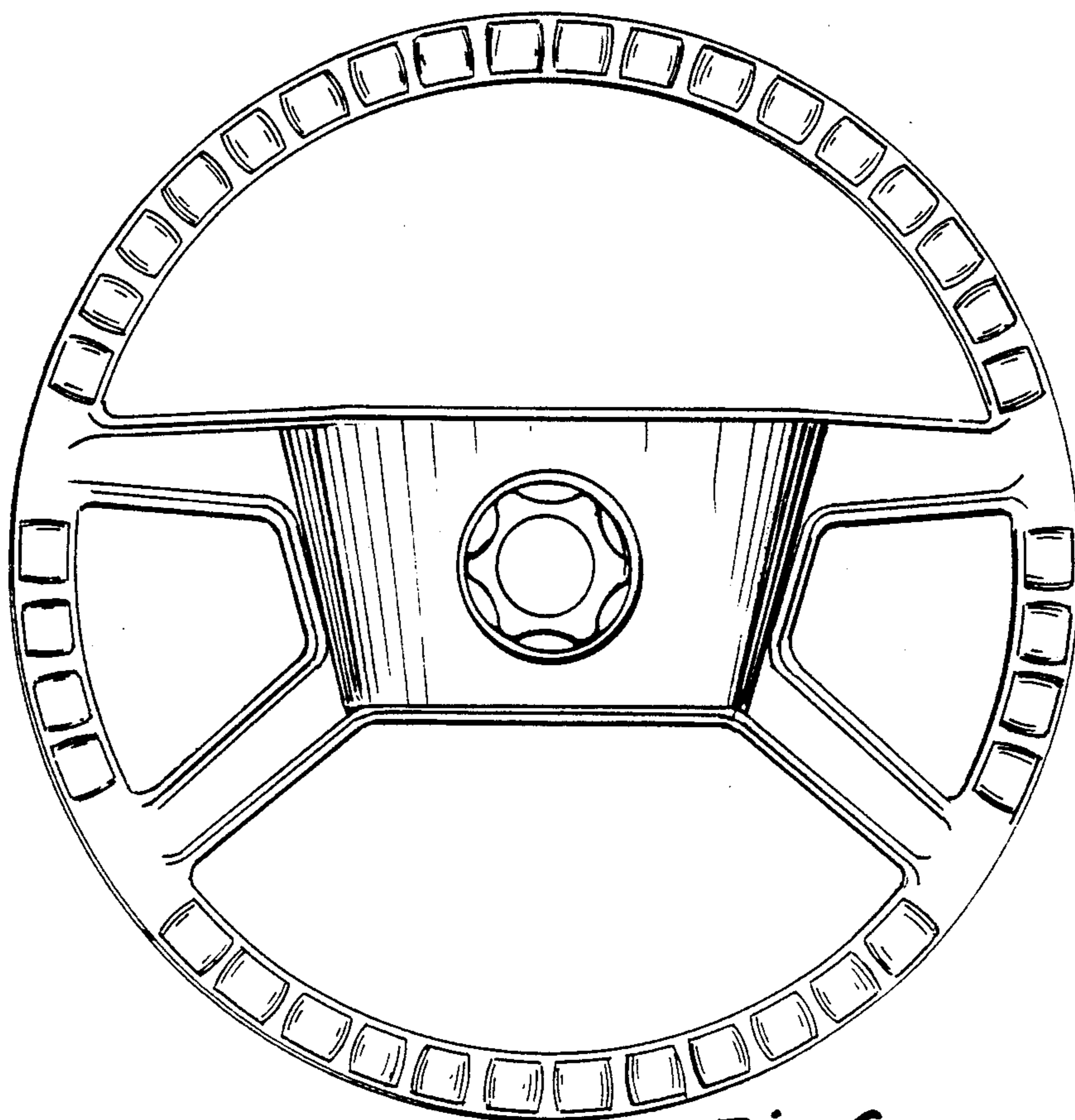


Fig. 6.