

[54] AUTOMOBILE CORNER BUMPER

4,422,680 12/1983 Goupy ..... 293/154

[75] Inventor: Ryoichi Soma, Hiroshima, Japan

FOREIGN PATENT DOCUMENTS

[73] Assignee: Mazda Motor Corporation, Hiroshima, Japan

0449548 10/1978 Japan .

[\*\*] Term: 14 Years

Primary Examiner—James M. Gandy

Attorney, Agent, or Firm—Fleit, Jacobson, Cohn & Price

[21] Appl. No.: 812,852

[57] CLAIM

The ornamental design for an automobile corner bumper, as shown.

[22] Filed: Dec. 23, 1985

[52] U.S. Cl. .... D12/172

[58] Field of Search ..... D12/172, 167; 293/149, 293/154, 142, 120-122

DESCRIPTION

FIG. 1 is a perspective view of the automobile corner bumper embodying our ornamental design; FIG. 2 is a front elevational view thereof; FIG. 3 is a rear elevational view thereof; FIG. 4 is a top plan view thereof; FIG. 5 is a bottom plan view thereof; FIG. 6 is a right side elevational view thereof; and FIG. 7 is a left side elevational view thereof.

[56] References Cited

U.S. PATENT DOCUMENTS

- D. 247,745 4/1978 Tixier ..... D12/172
- D. 280,399 9/1985 Wilsgaard ..... D12/172
- D. 281,152 10/1985 Luthe et al. .... D12/172

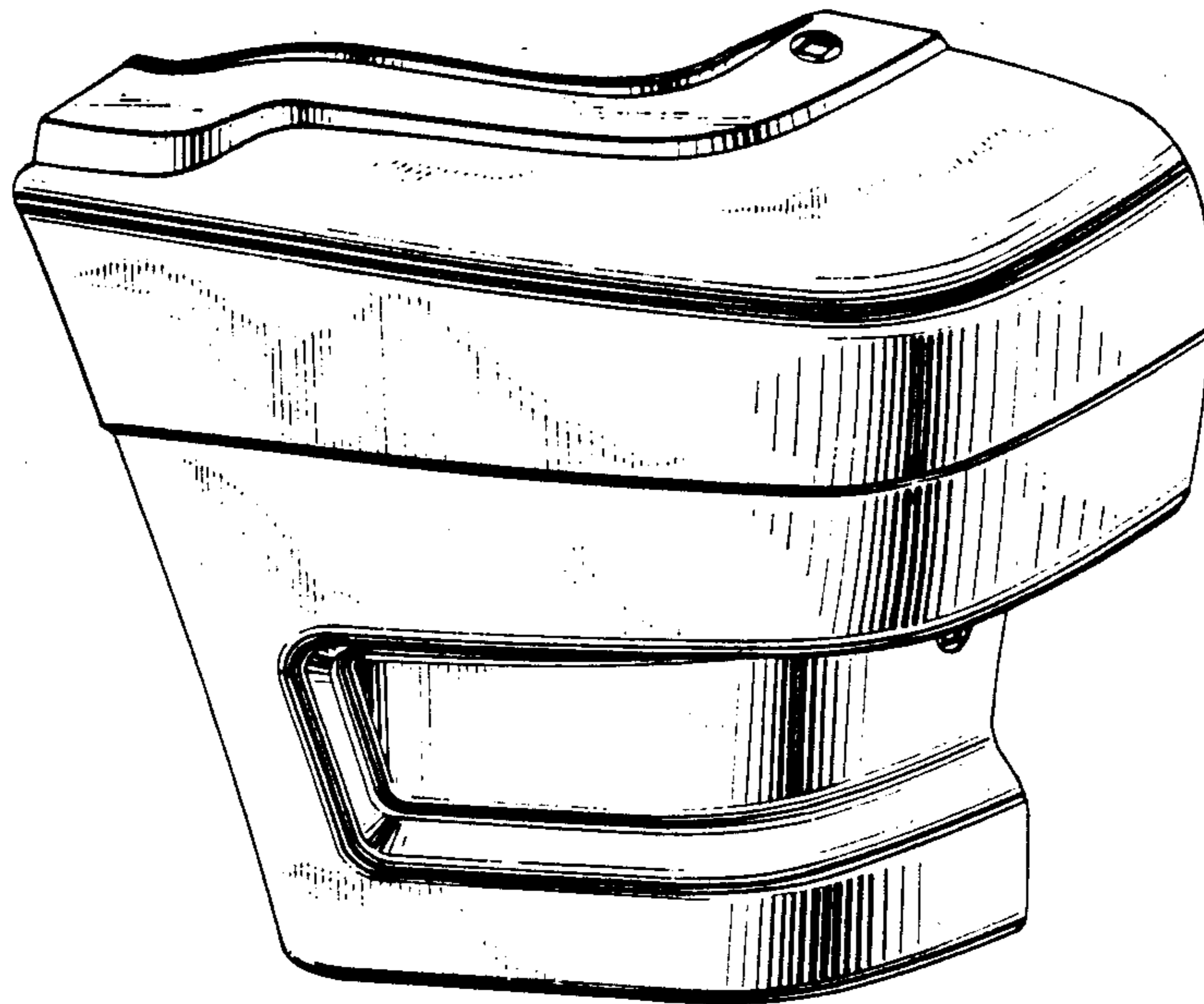


FIG. 1

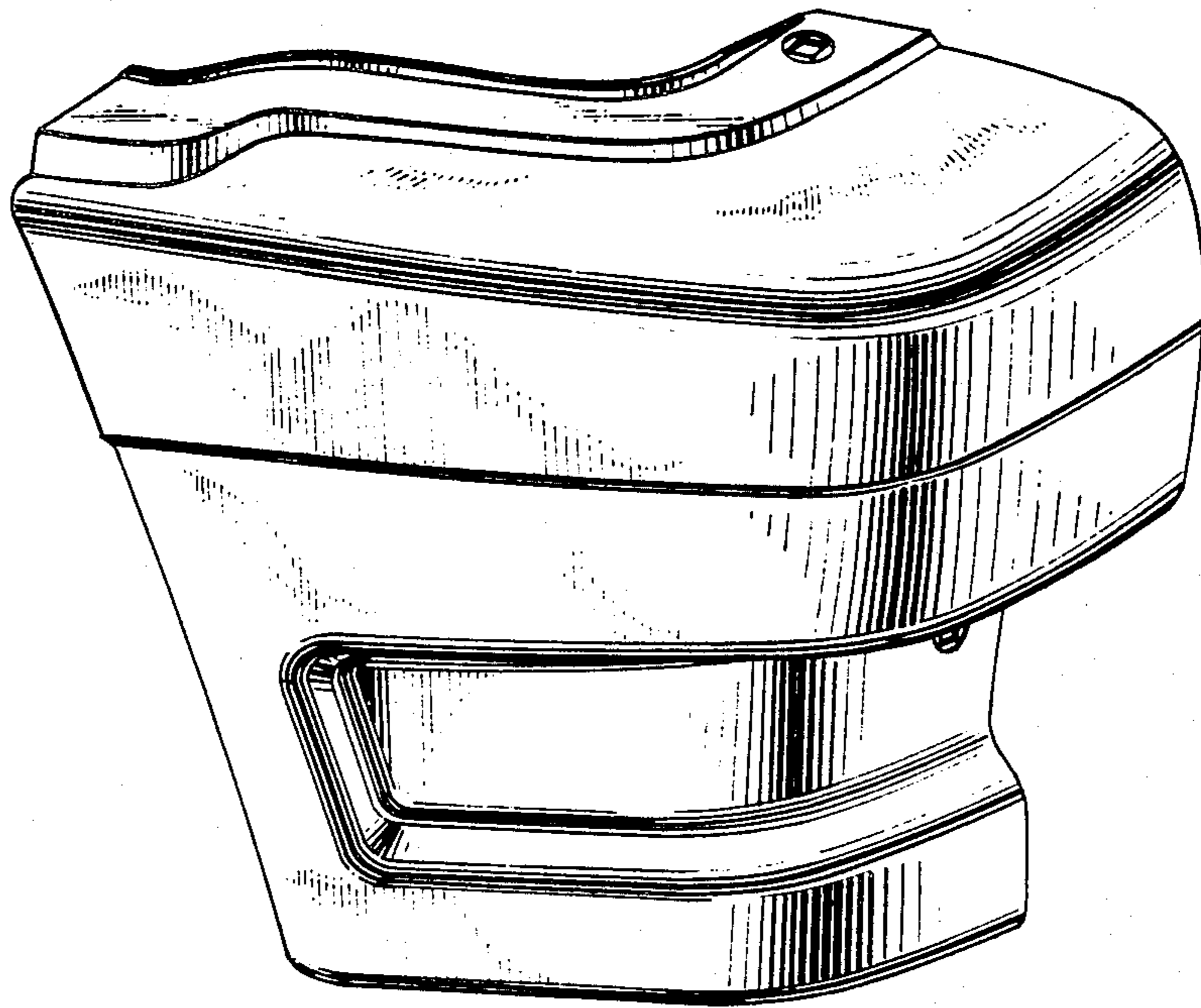


FIG. 2

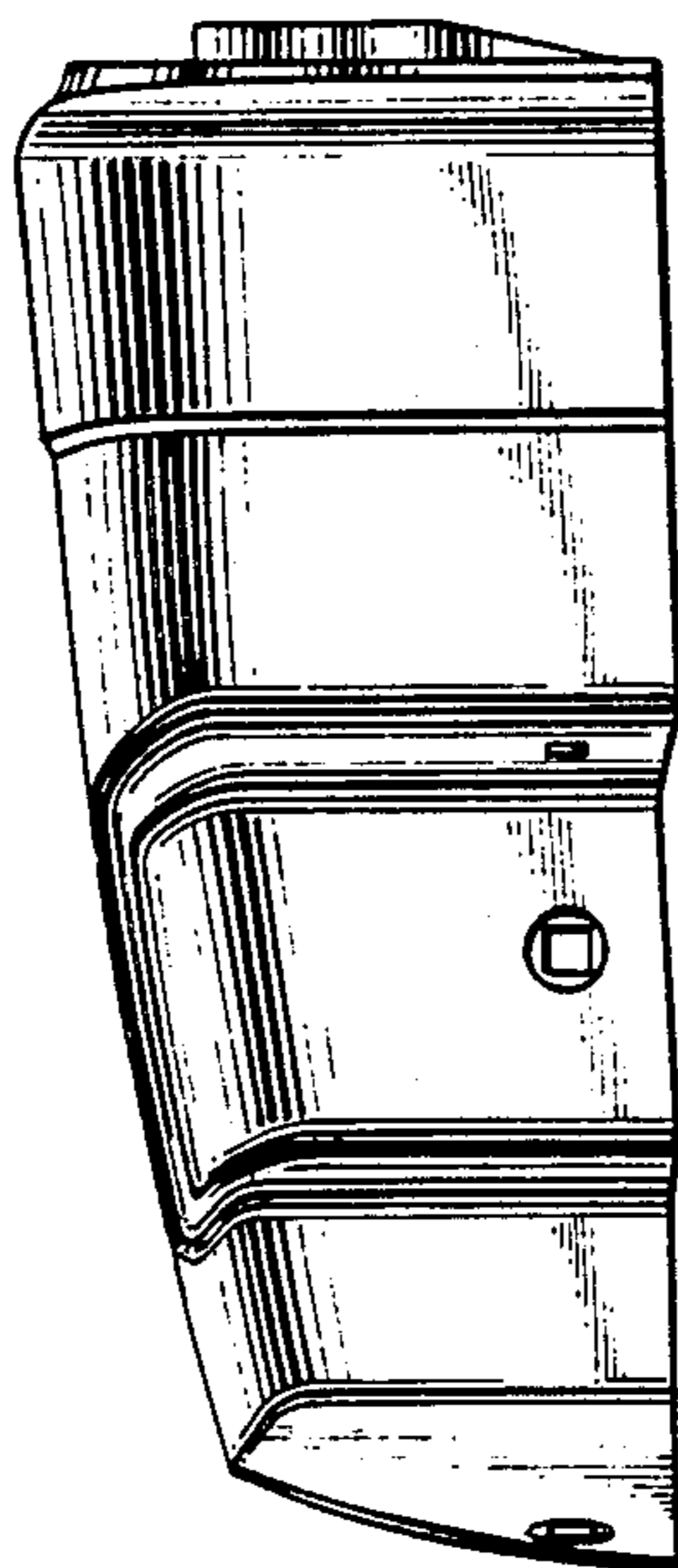


FIG. 3

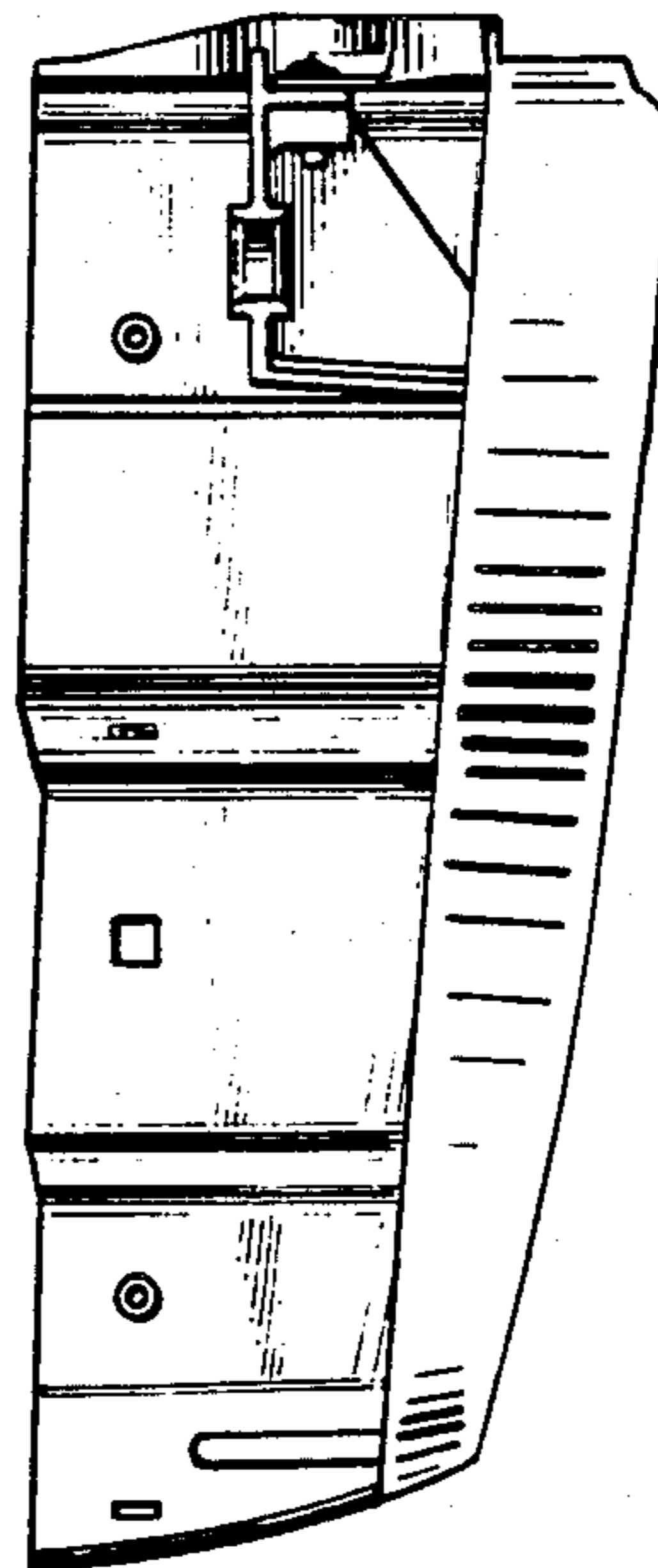


FIG. 4

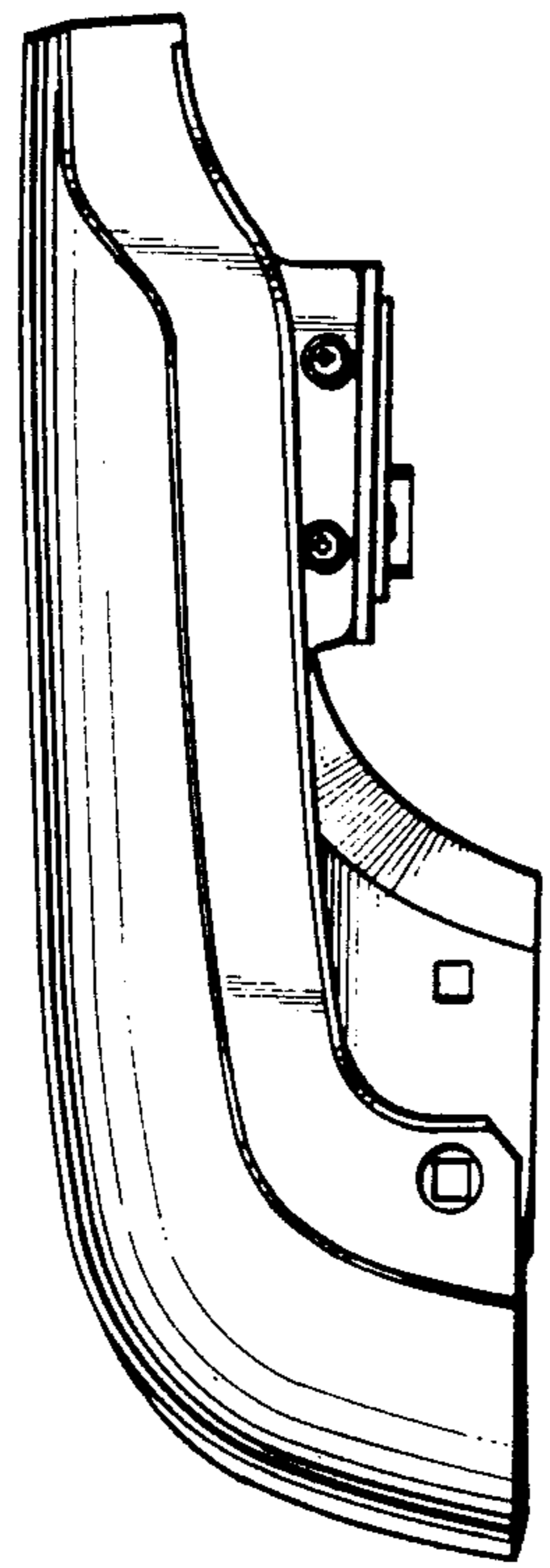


FIG. 5

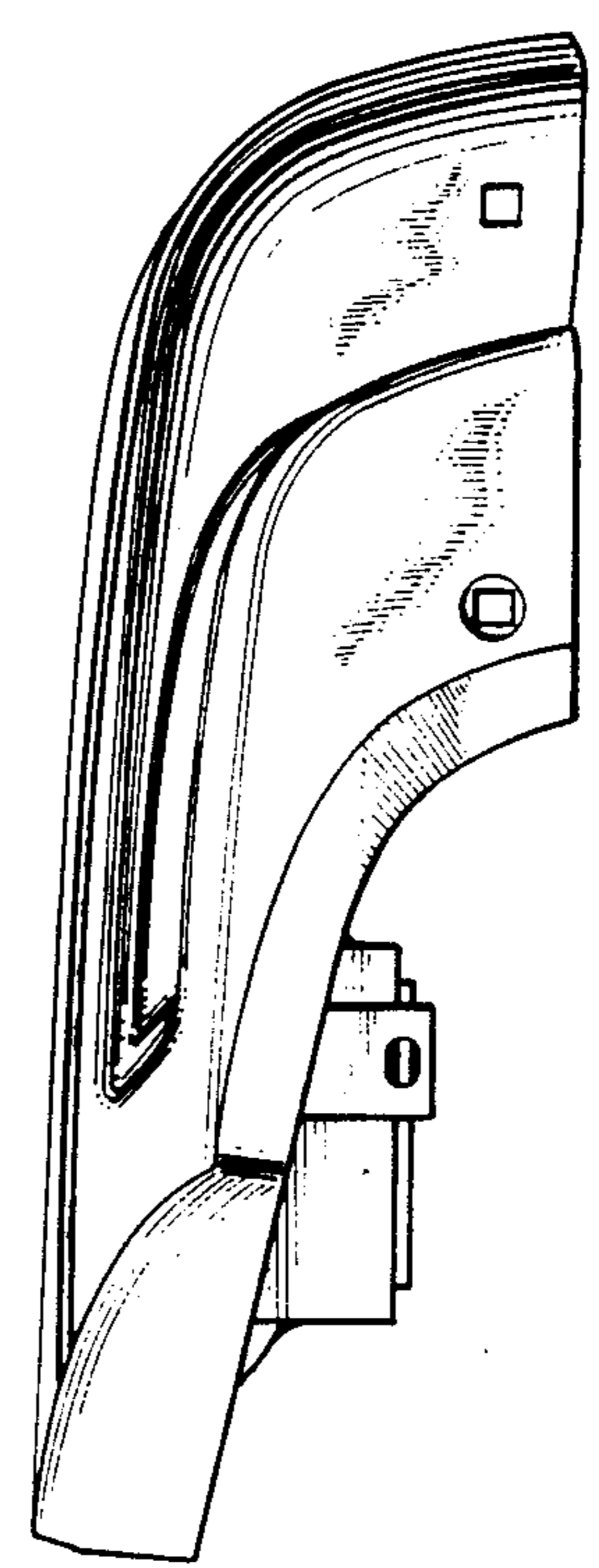


FIG. 6

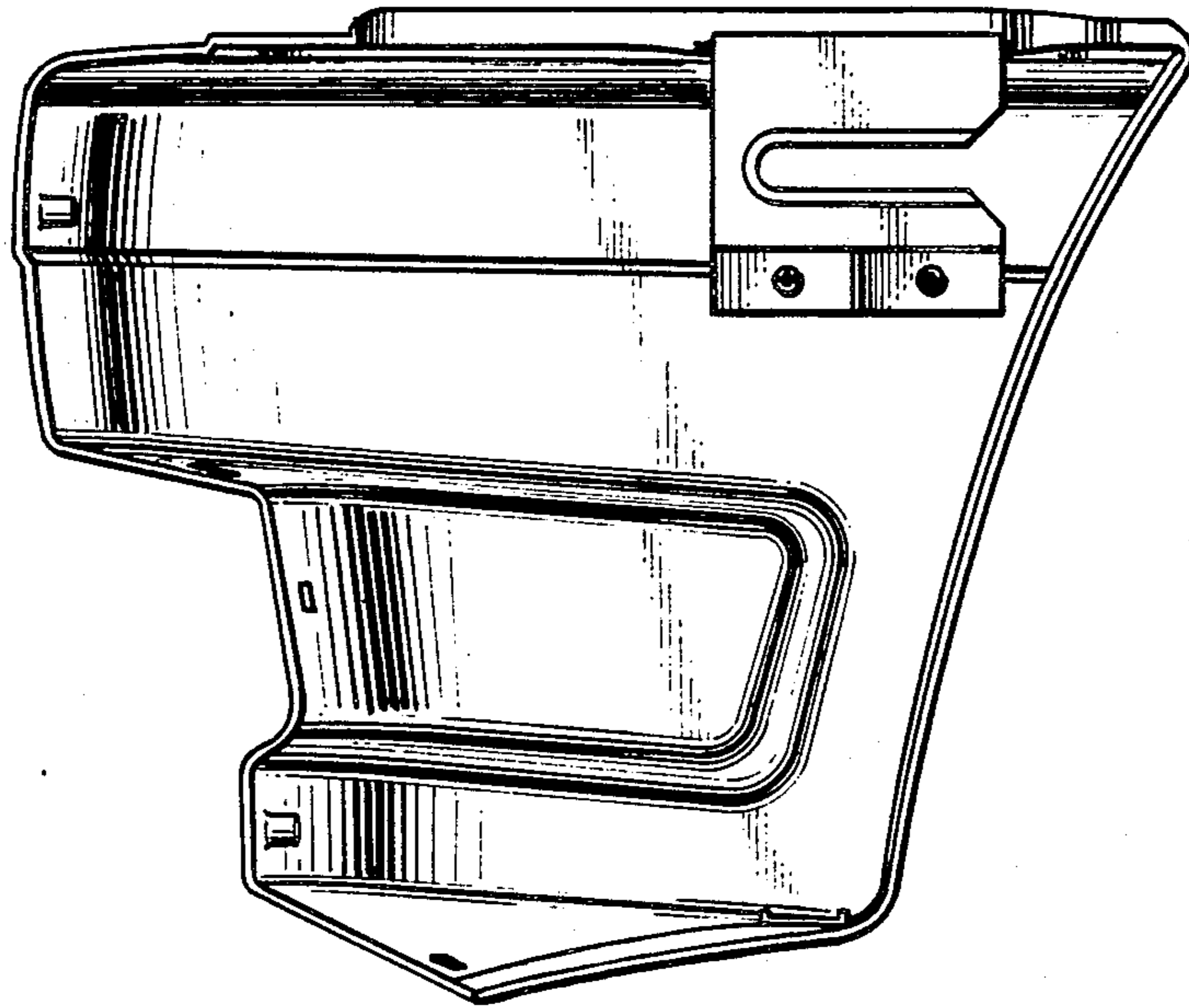


FIG. 7

