

[54] **BASEBALL COUNTER-SORTER**

[76] **Inventor: Bryan Campbell, 424 W. Mulberry St., Lancaster, Ohio 43130**

[**] **Term: 14 Years**

[21] **Appl. No.: 754,073**

[22] **Filed: Jul. 12, 1985**

[52] **U.S. Cl. D10/46.1; D10/31; D10/97**

[58] **Field of Search D10/46.1, 97, 31, 32; 235/1 B, 123; 116/222**

[56] **References Cited**

U.S. PATENT DOCUMENTS

D. 29,131	8/1898	Ritchey	D10/46.1
D. 42,686	7/1912	Curran	D10/46.1
D. 47,148	3/1915	Wells	D10/32
D. 116,325	8/1939	Ryan	D10/46.1
D. 119,192	2/1940	Welling .	
D. 150,653	8/1948	Pommier	D10/32
D. 186,818	12/1959	Hewlett	D10/32
D. 241,921	10/1976	Foster	D10/97
D. 244,432	5/1977	Haber .	

D. 250,881	1/1979	Liautaud .	
D. 268,169	3/1983	DeChristopher	D10/46.1
1,470,904	10/1923	Beskow	235/1 B
2,702,954	3/1955	Cline	D10/46.1 X
2,993,288	7/1961	Rothman	235/1 B
3,030,016	4/1962	Ruddick	D10/46.1 X
3,455,273	7/1969	Willingham	D10/46.1 X
4,331,098	5/1982	Rubano	235/1 B X

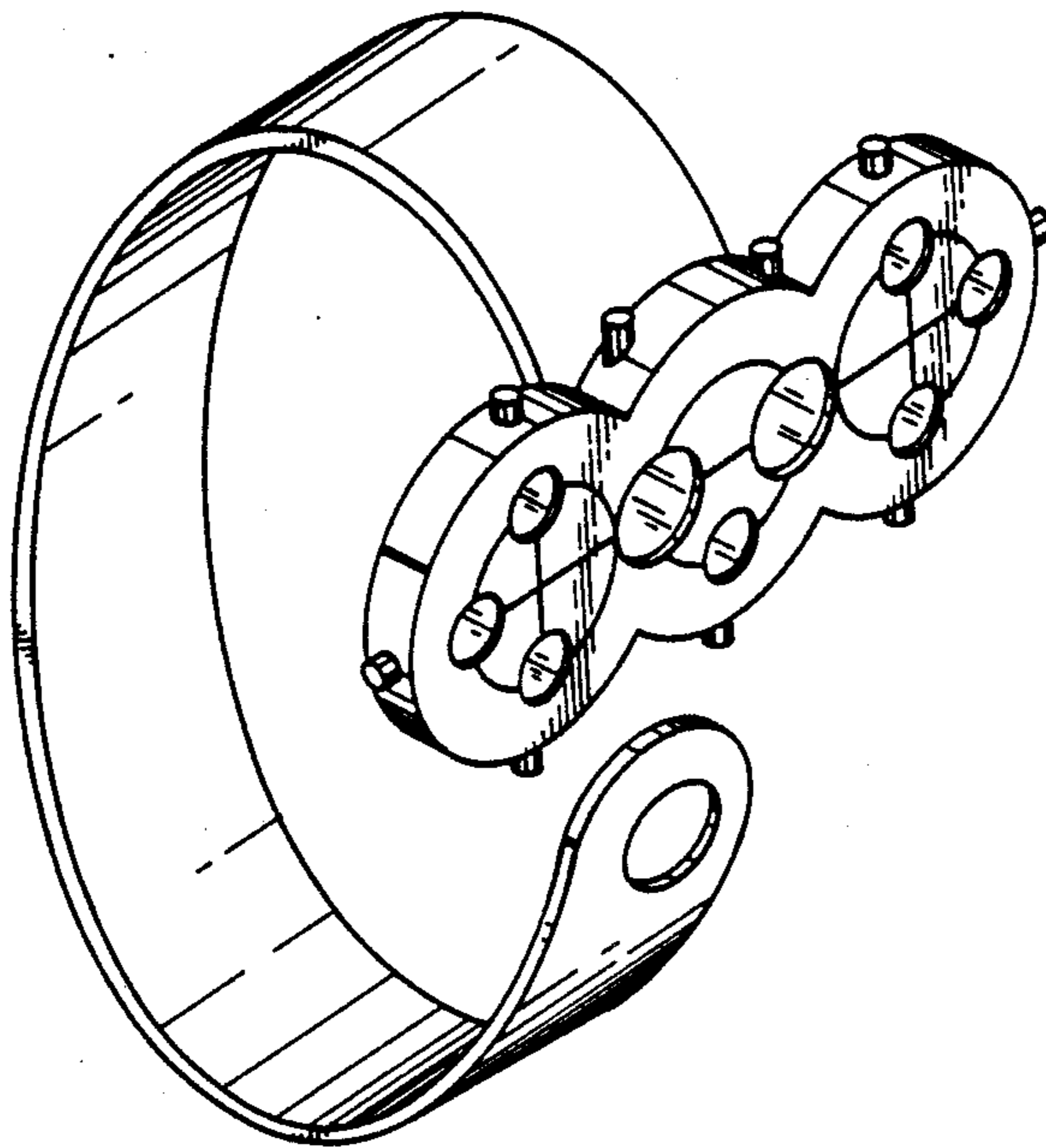
Primary Examiner—Nelson C. Holtje
Attorney, Agent, or Firm—W. C. Tupman

[57] **CLAIM**

The ornamental design for a baseball counter-sorter, substantially as shown and described.

DESCRIPTION

FIG. 1 is a top and left front isometric view of a baseball counter-scorer showing my new design; FIG. 2 is a top plan view thereof; FIG. 3 is a bottom plan view thereof; FIG. 4 is a left side elevational view thereof, the right side being a mirror image thereto; FIG. 5 is a side elevational view thereof; FIG. 6 is a rear side elevational view thereof.



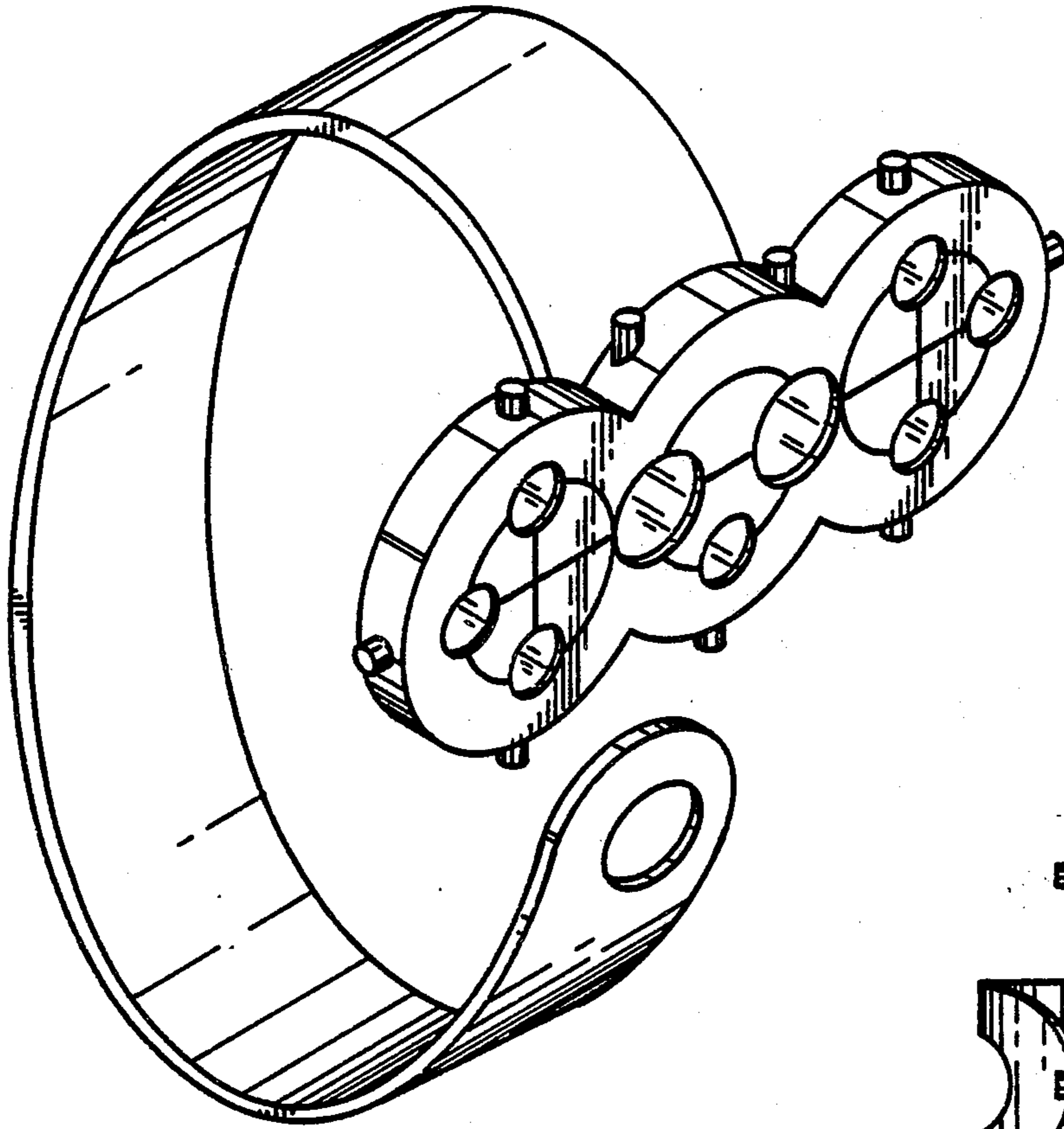


Fig. 1

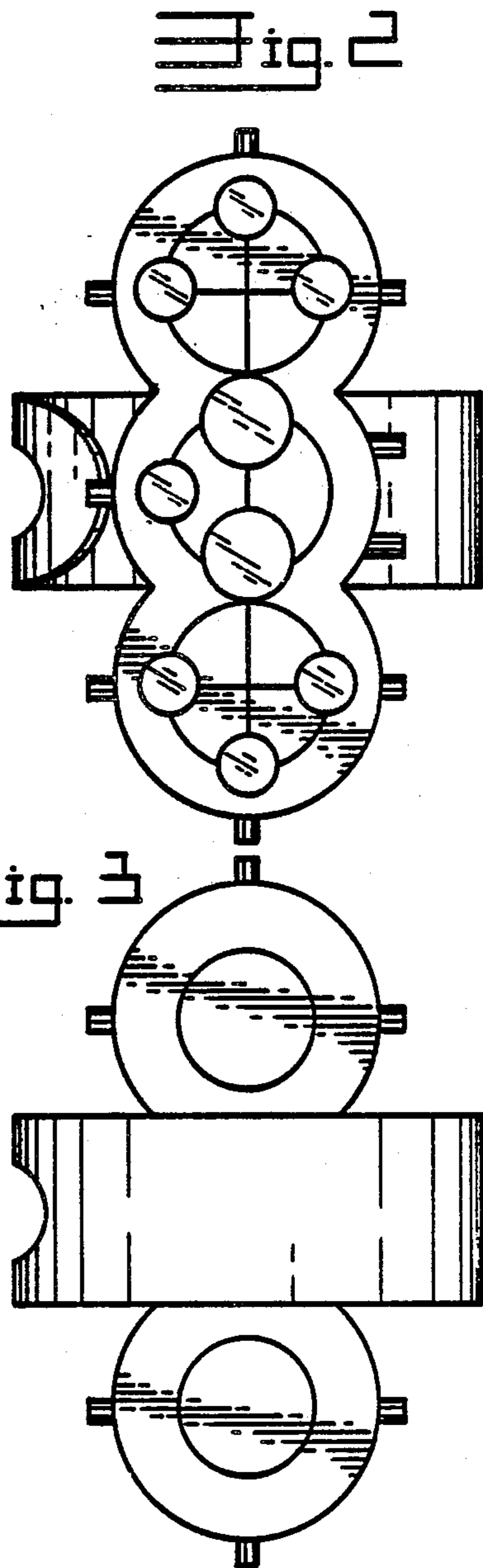


Fig. 2

Fig. 3

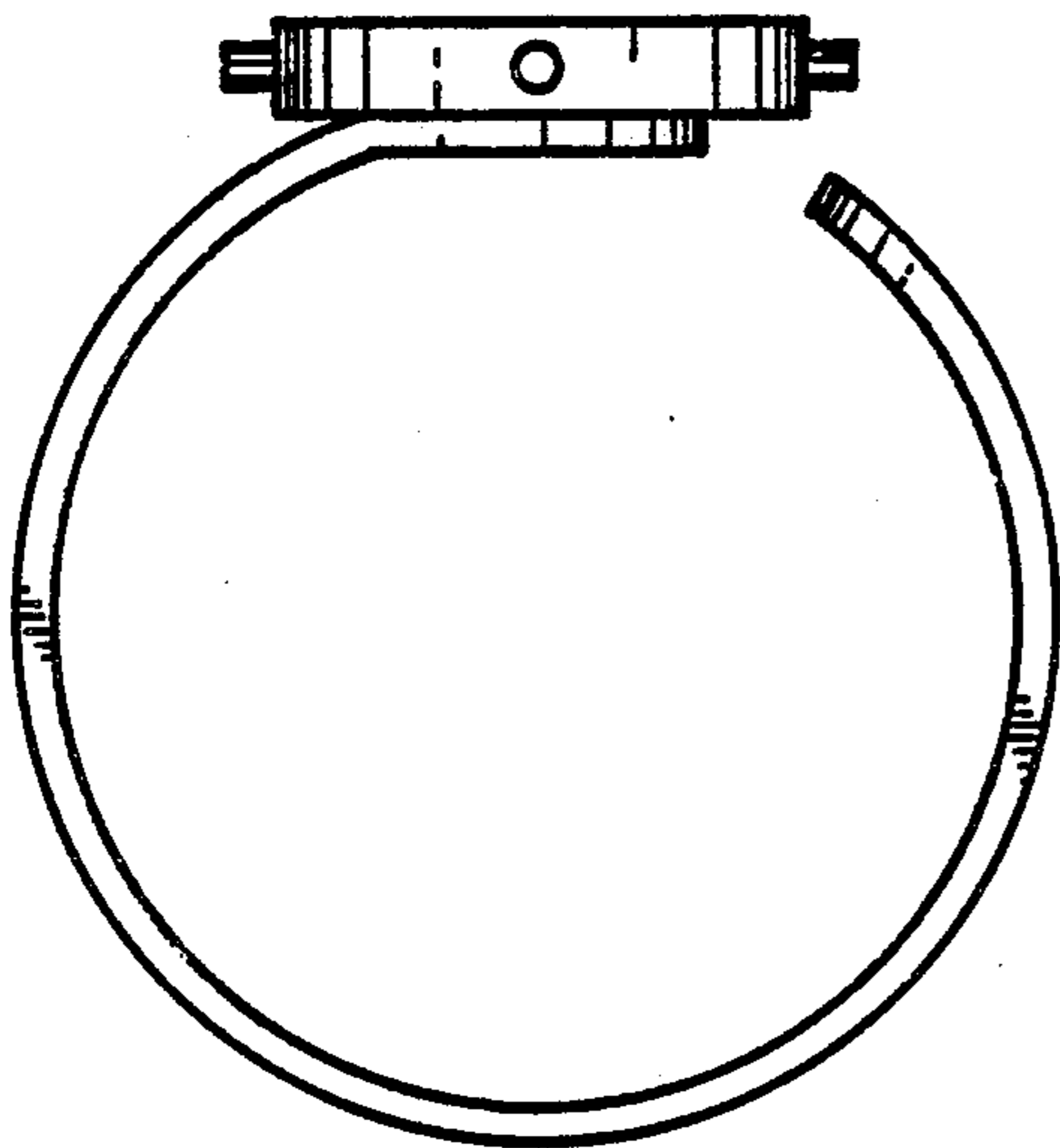


Fig. 4

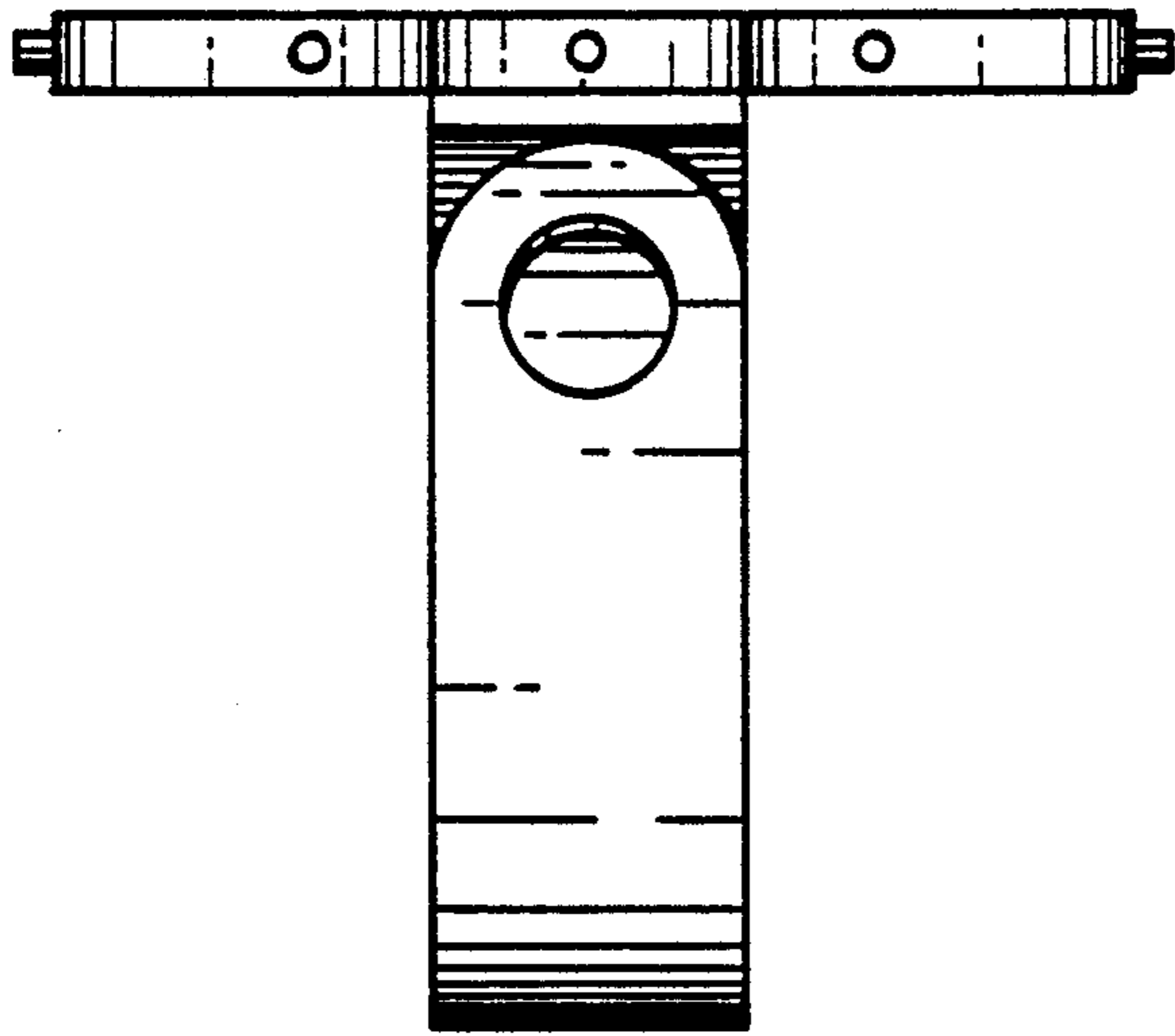


Fig. 5

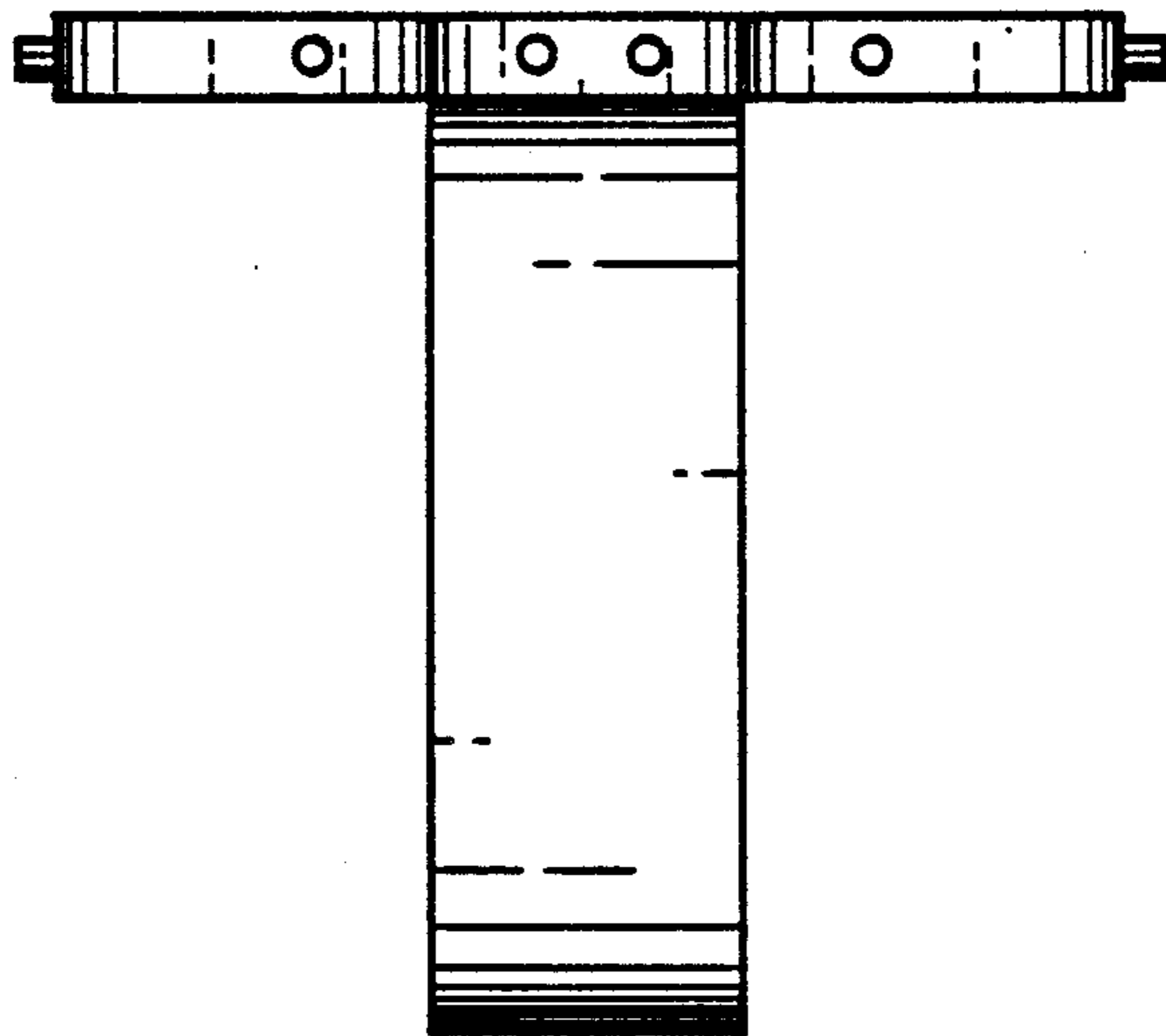


Fig. 6