

[54] COMBINED LATCH AND DEADBOLT UNIT

[75] Inventors: Charles J. Ortega, Hollywood; Paul D. Fleming, Glendale; David L. O'Day, Canoga Park, all of Calif.

[73] Assignee: W & F Manufacturing, Inc., Glendale, Calif.

[\*\*] Term: 14 Years

[21] Appl. No.: 811,710

[22] Filed: Dec. 20, 1985

[52] U.S. Cl. .... D8/301; D8/307; D8/308; D8/350

[58] Field of Search ..... D8/300-302, D8/307, 308, 310-312, 315-320, 350, 353; 16/110 R, 111 R, 118, 121, 124, 126, 127, DIG. 30, DIG. 32; 292/DIG. 30

[56] References Cited

U.S. PATENT DOCUMENTS

D. 216,454	1/1970	Campbell	.....	D8/308
D. 271,561	11/1983	Valli	.....	D8/308
D. 280,073	8/1985	Wildgen	.....	D8/301
D. 280,074	8/1985	Wildgen	.....	D8/320
1,818,612	8/1931	Floraday	.....	16/110 R

OTHER PUBLICATIONS

Amerock Cat. C-2094; p. 23; Harmony Pull Backplate 3442-BB.

Amerock Cat. C-2087; p. 15; latch set (right half of page).

Primary Examiner—B. J. Bullock  
Attorney, Agent, or Firm—Kelly, Bauersfeld & Lowry

[57] CLAIM

The ornamental design for a combined latch and deadbolt unit, substantially as shown and described.

DESCRIPTION

FIG. 1 is a left side elevational view of combined latch and deadbolt unit embodying the new design, the outline depiction of a door being for illustrative purposes only;

FIG. 2 is an inside front elevational view thereof;

FIG. 3 is a right side elevational view thereof, the outline depiction of a door being for illustrative purposes only;

FIG. 4 is an outside front elevational view thereof;

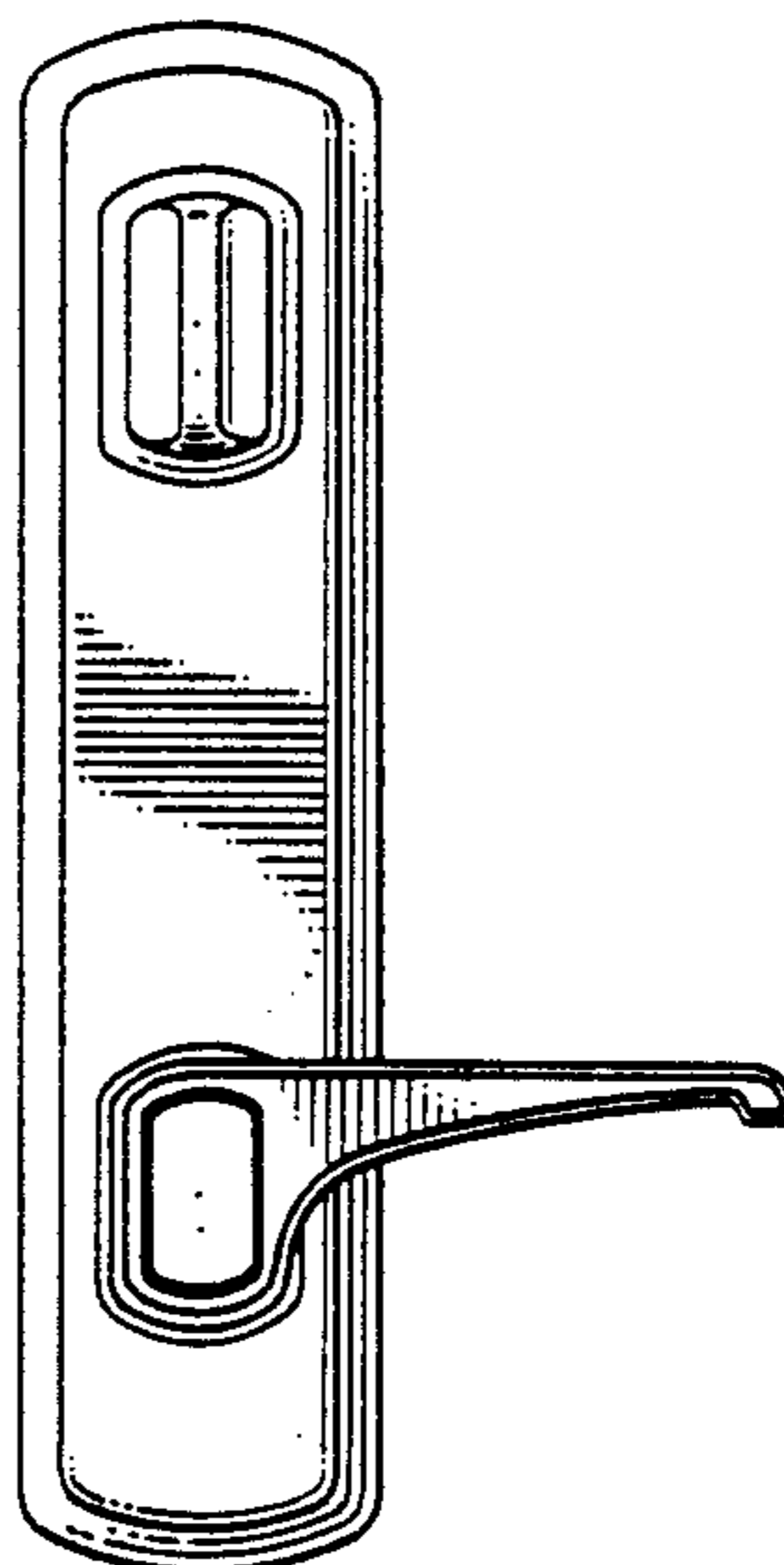
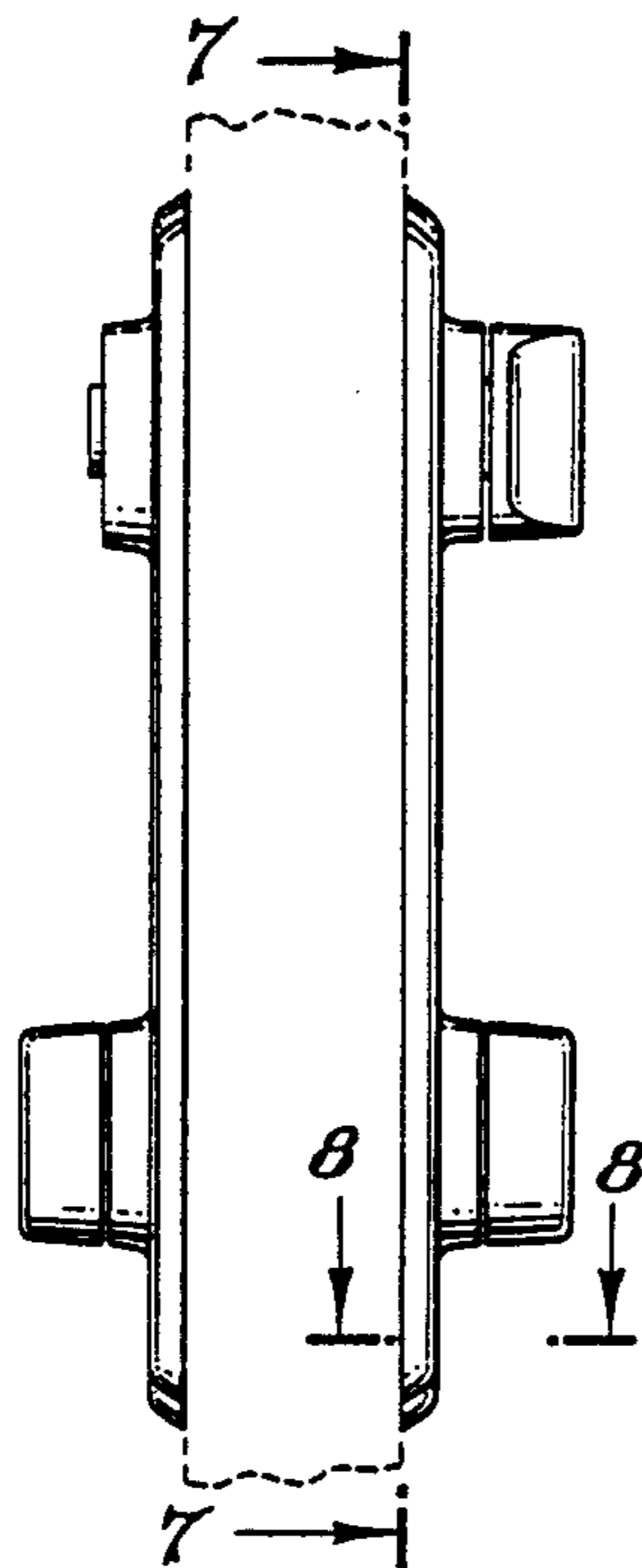
FIG. 5 is a top plan view thereof, the outline depiction of a door being for illustrative purposes only;

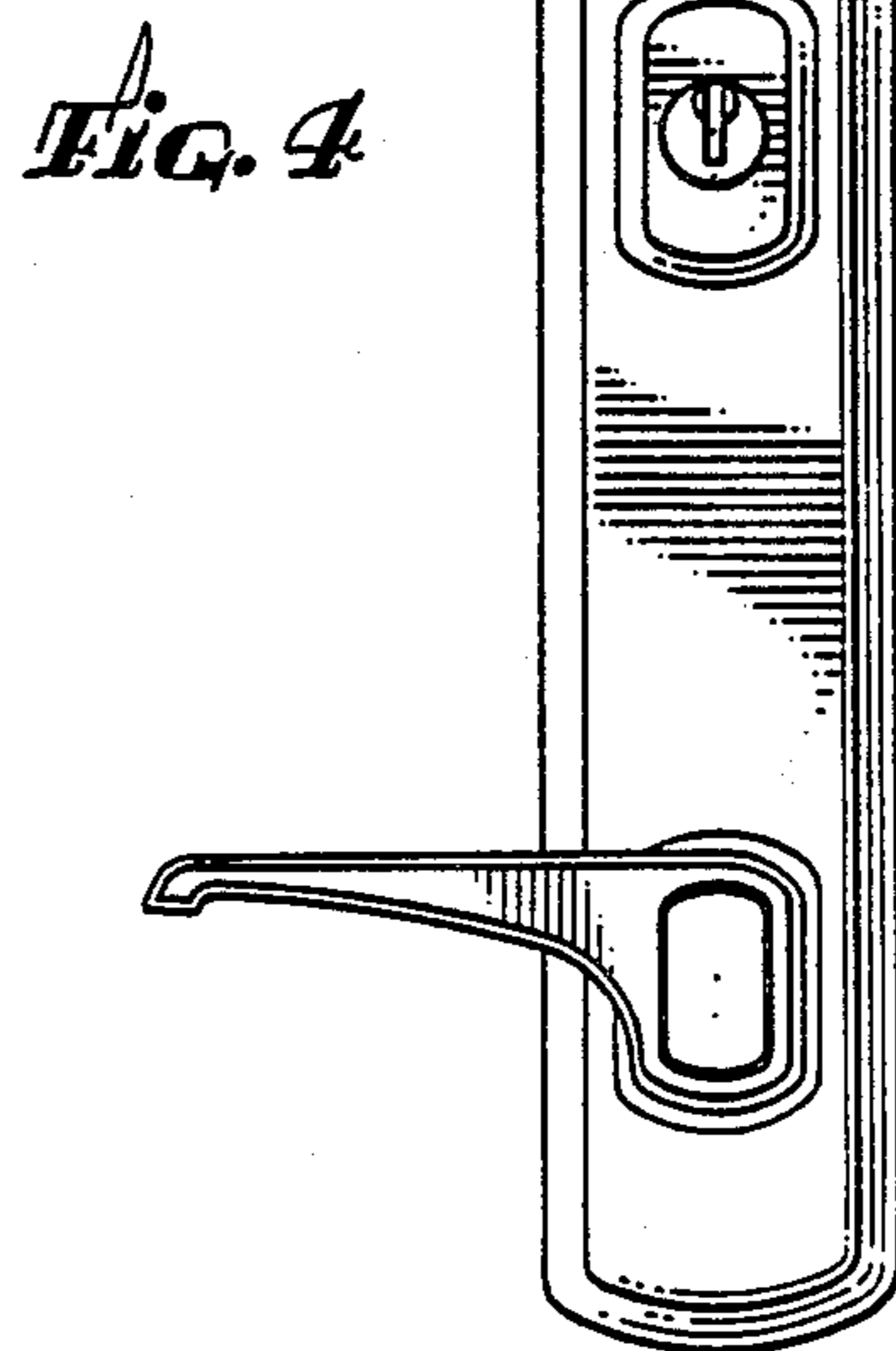
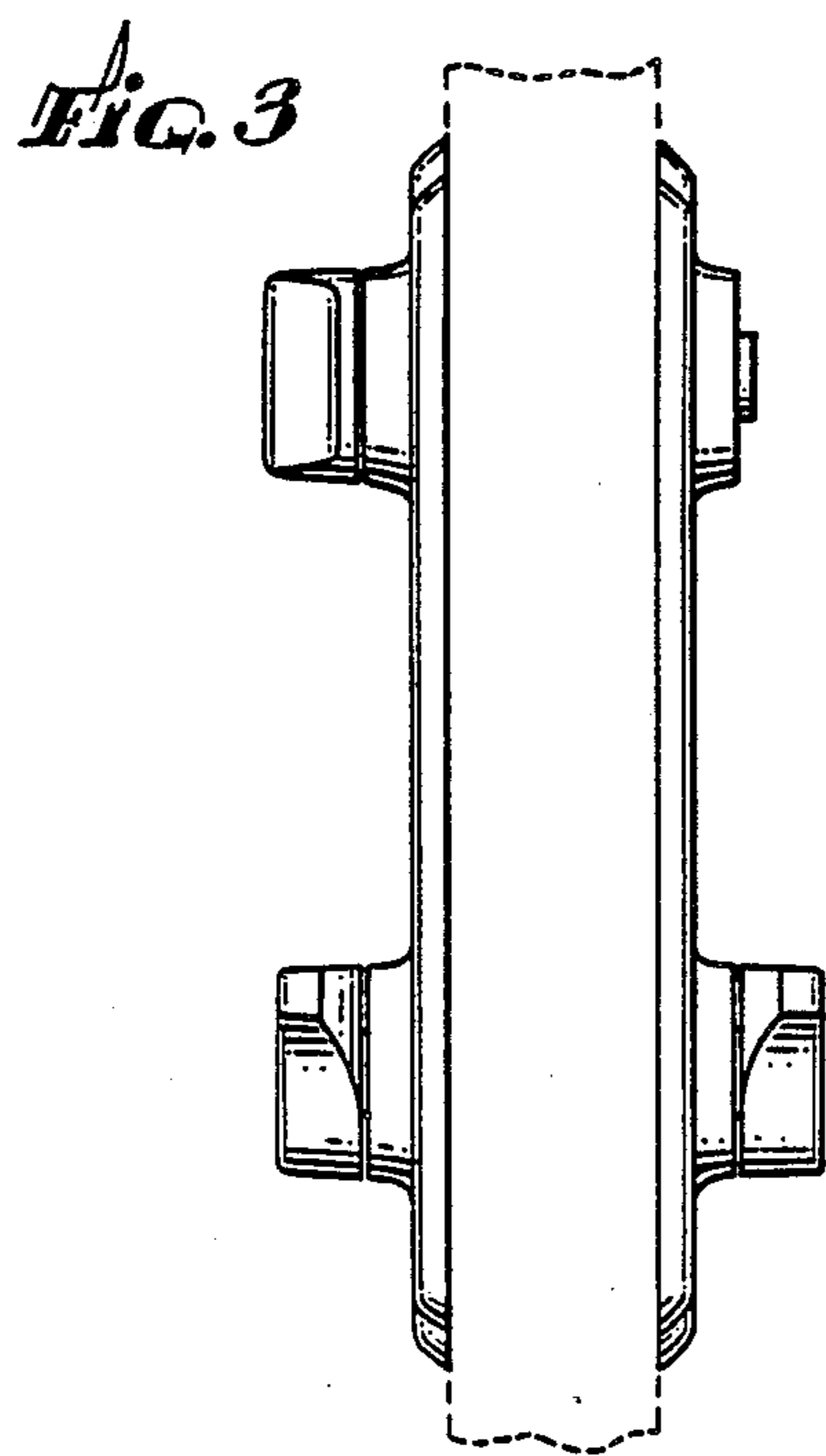
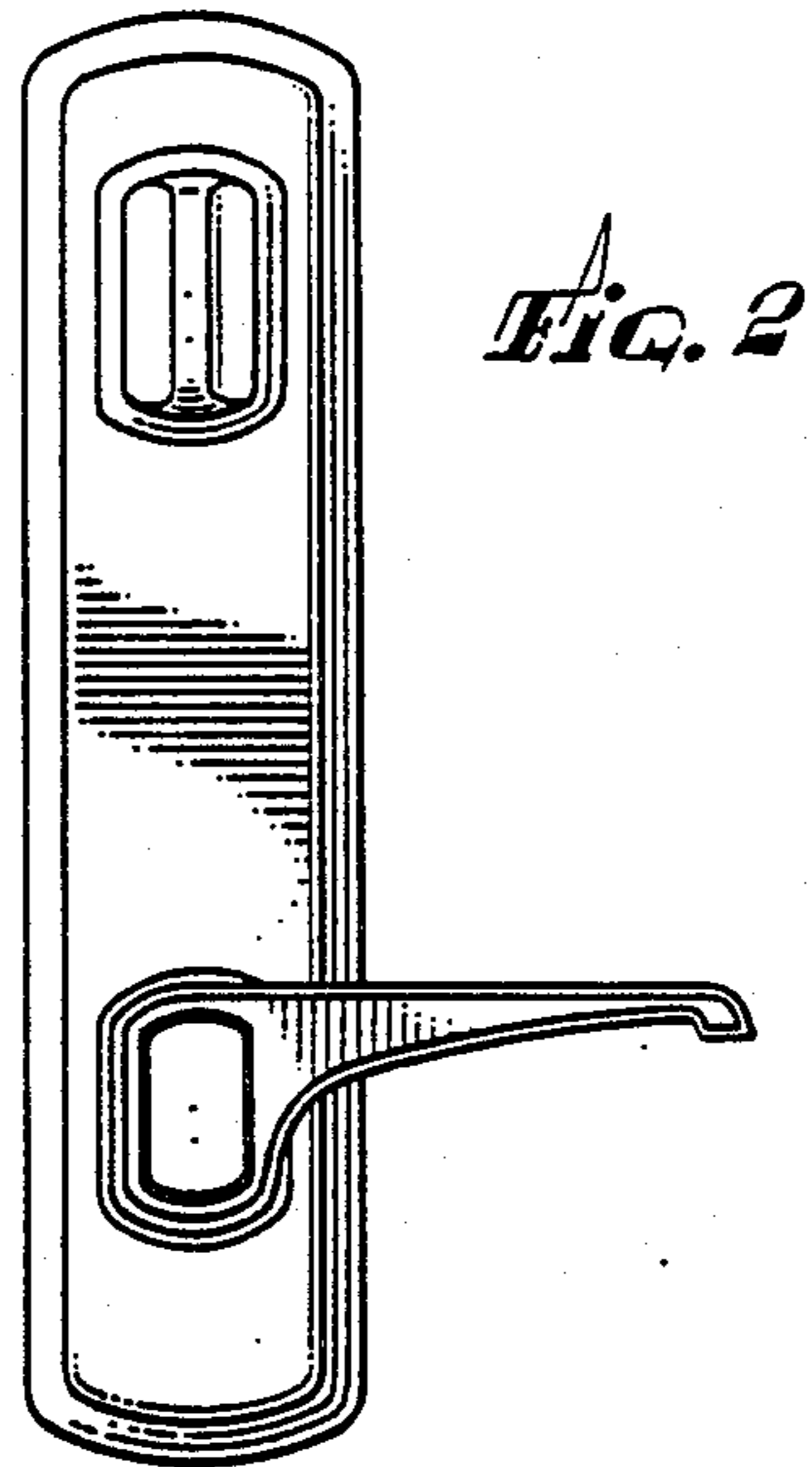
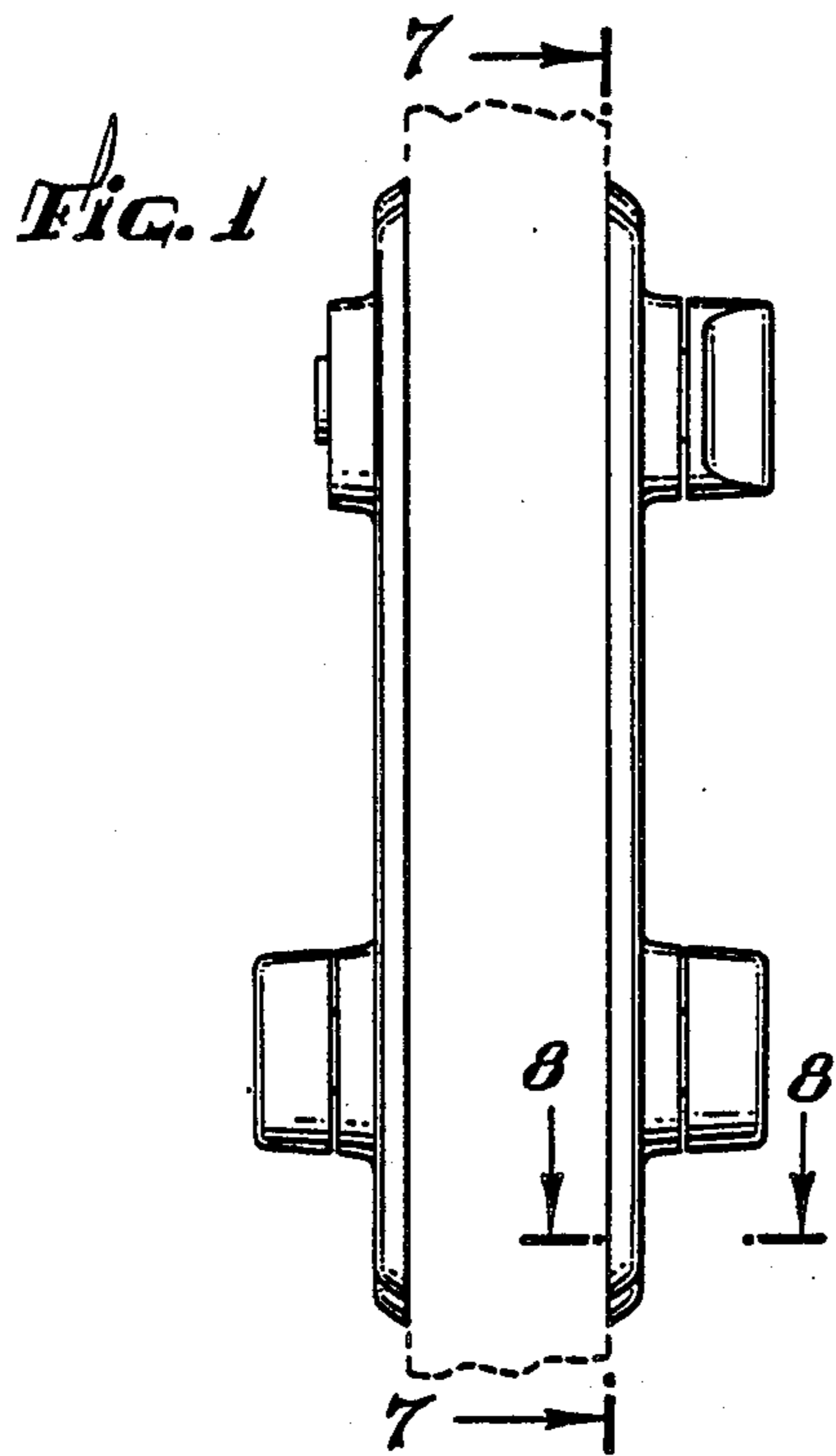
FIG. 6 is a bottom plan view thereof, the outline depiction of a door being for illustrative purposes only;

FIG. 7 is an inside rear elevational view thereof, the outside rear elevational view being a mirror image thereof;

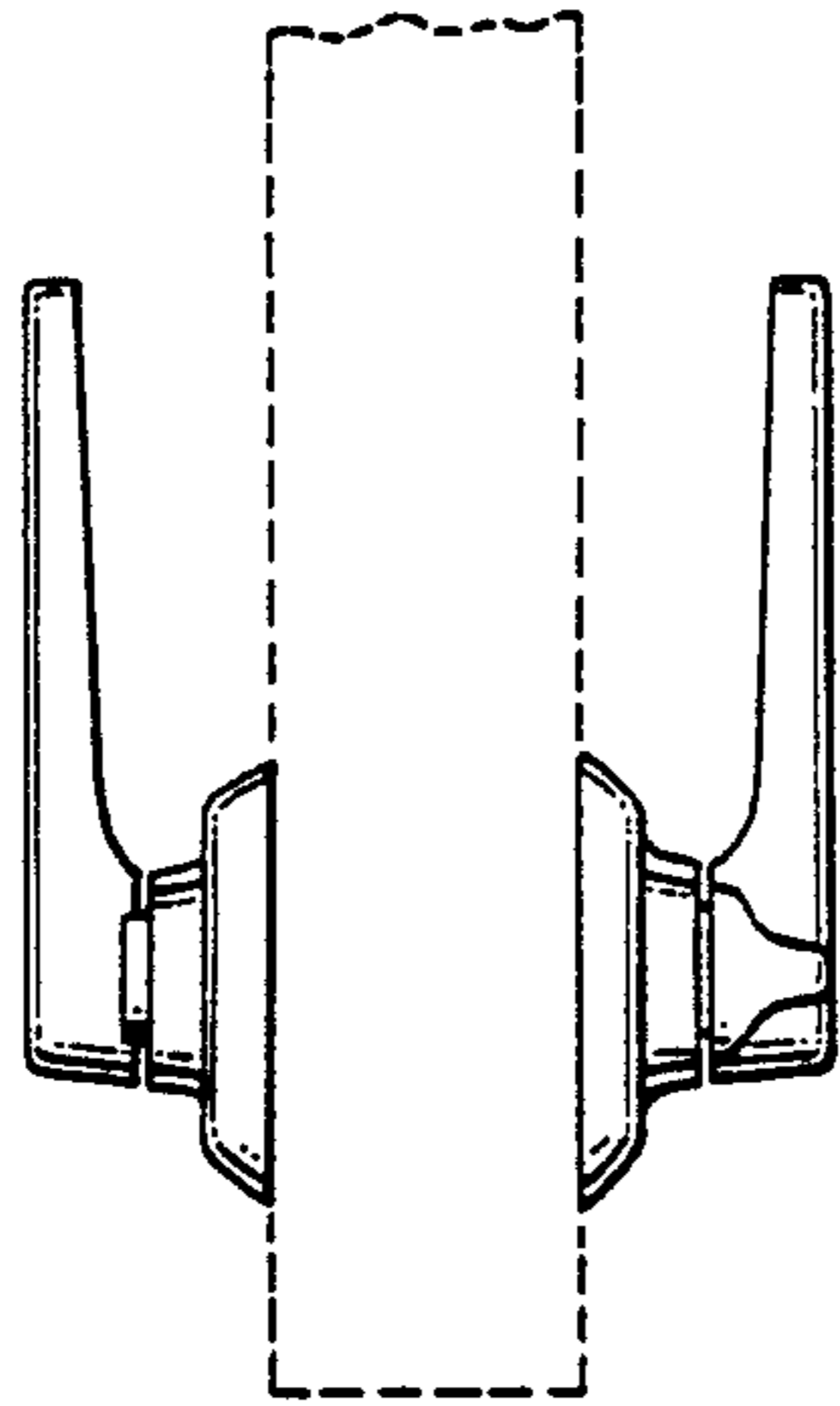
FIG. 8 is an enlarged sectional view taken in the direction of the arrows on line 8—8 of FIG. 2; and

FIG. 9 is an inside front elevational view of a second embodiment of the design of FIG. 1, the only difference being the alternate handle configuration.

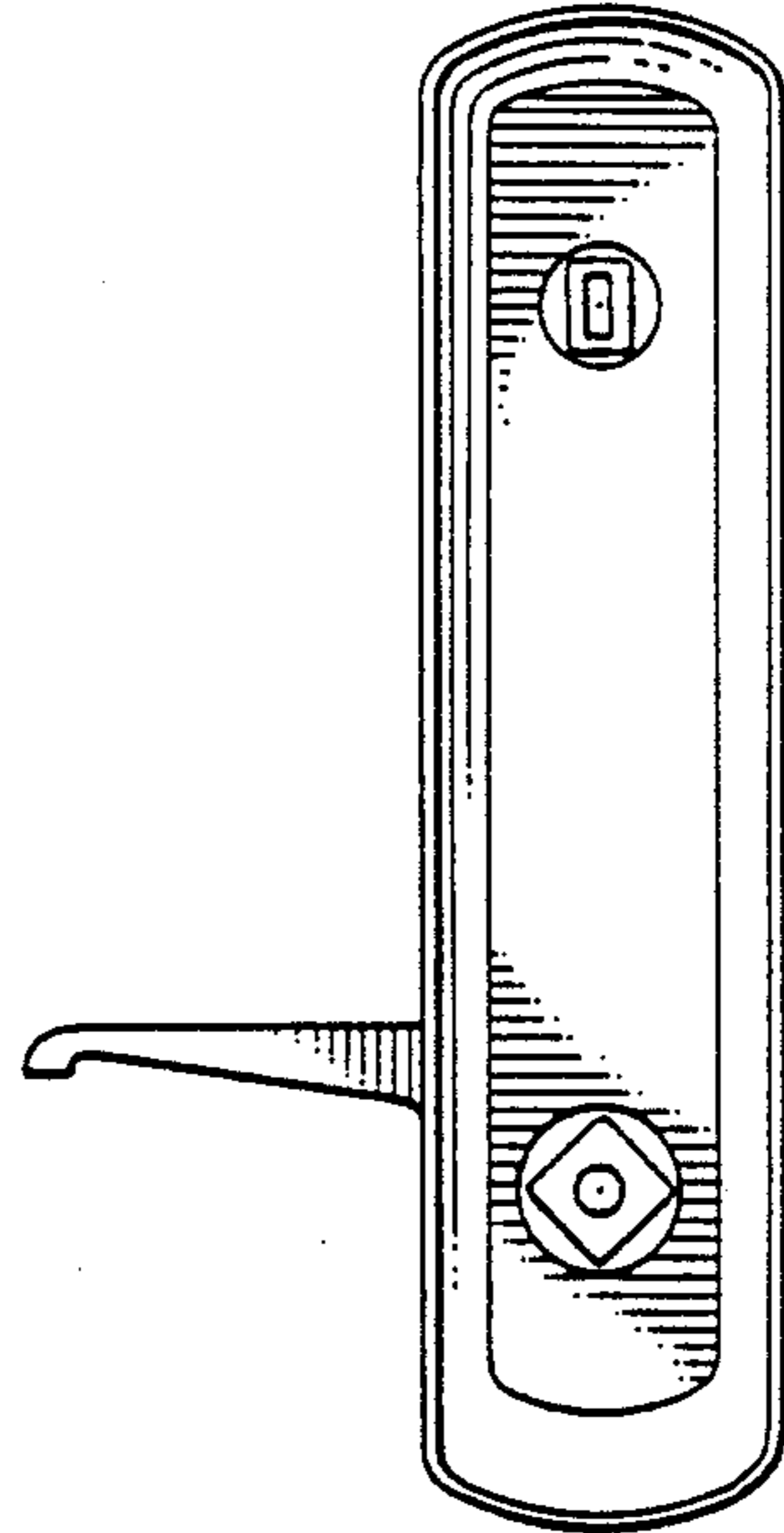




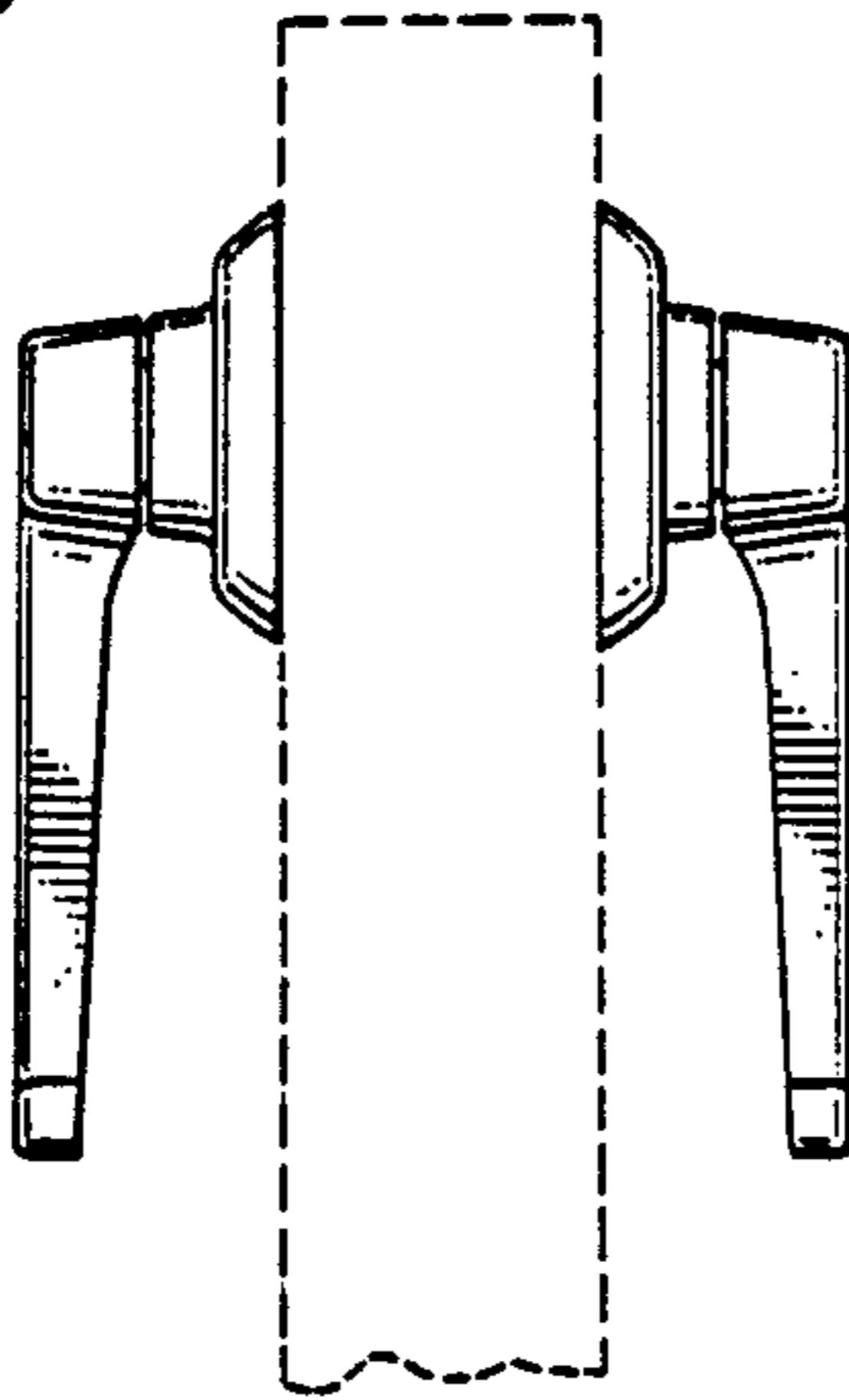
*FIG. 5*



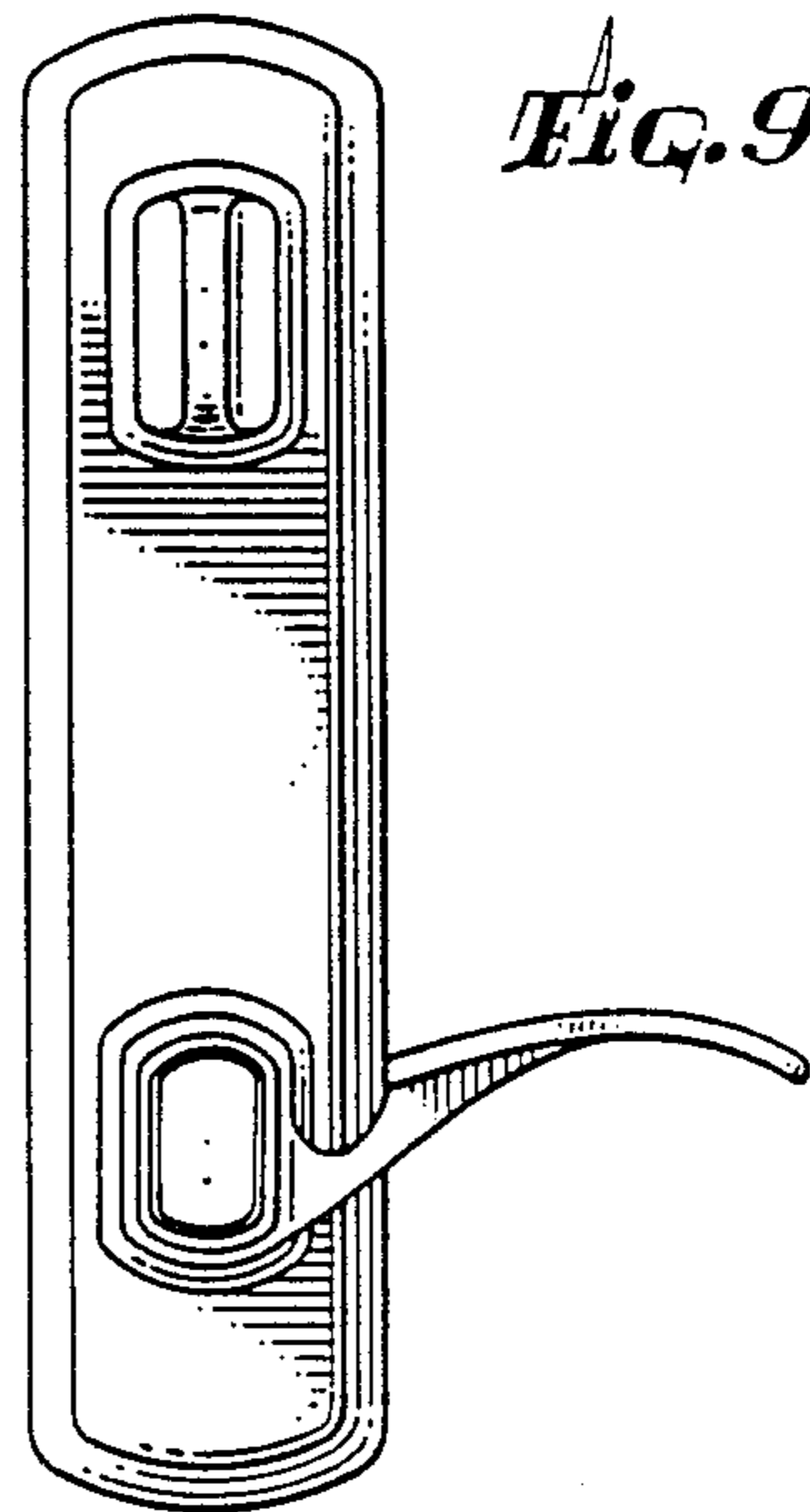
*FIG. 7*



*FIG. 6*



*FIG. 9*



*FIG. 8*

