

[54] PICTURE-FRAMING CLAMP OR THE LIKE

4,211,391 7/1980 Strasser ..... 269/41

[75] Inventor: Friedrich Wolff, Remscheid, Fed. Rep. of Germany

[73] Assignee: Werkzeug GmbH, Fed. Rep. of Germany

[\*\*] Term: 14 Years

[21] Appl. No.: 805,300

[22] Filed: Nov. 26, 1985

[30] Foreign Application Priority Data

May 31, 1985 [DE] Fed. Rep. of Germany ..... 5MR285

[52] U.S. Cl. .... D8/71

[58] Field of Search ..... D8/71-74, D8/105-106, 14; 269/1, 37, 41, 43, 45, 95, 246-253, 258, 295

[56] References Cited

U.S. PATENT DOCUMENTS

- D. 236,940 9/1975 Huntley ..... D8/72
- 4,027,866 6/1977 Ruggiero ..... 269/41
- 4,046,362 9/1977 Spillers ..... 269/43

OTHER PUBLICATIONS

Wetzler Clamp Co. brochure, "Band Clamp".

Primary Examiner—Wallace R. Burke

Assistant Examiner—Brian N. Vinson

Attorney, Agent, or Firm—Antonelli, Terry & Wands

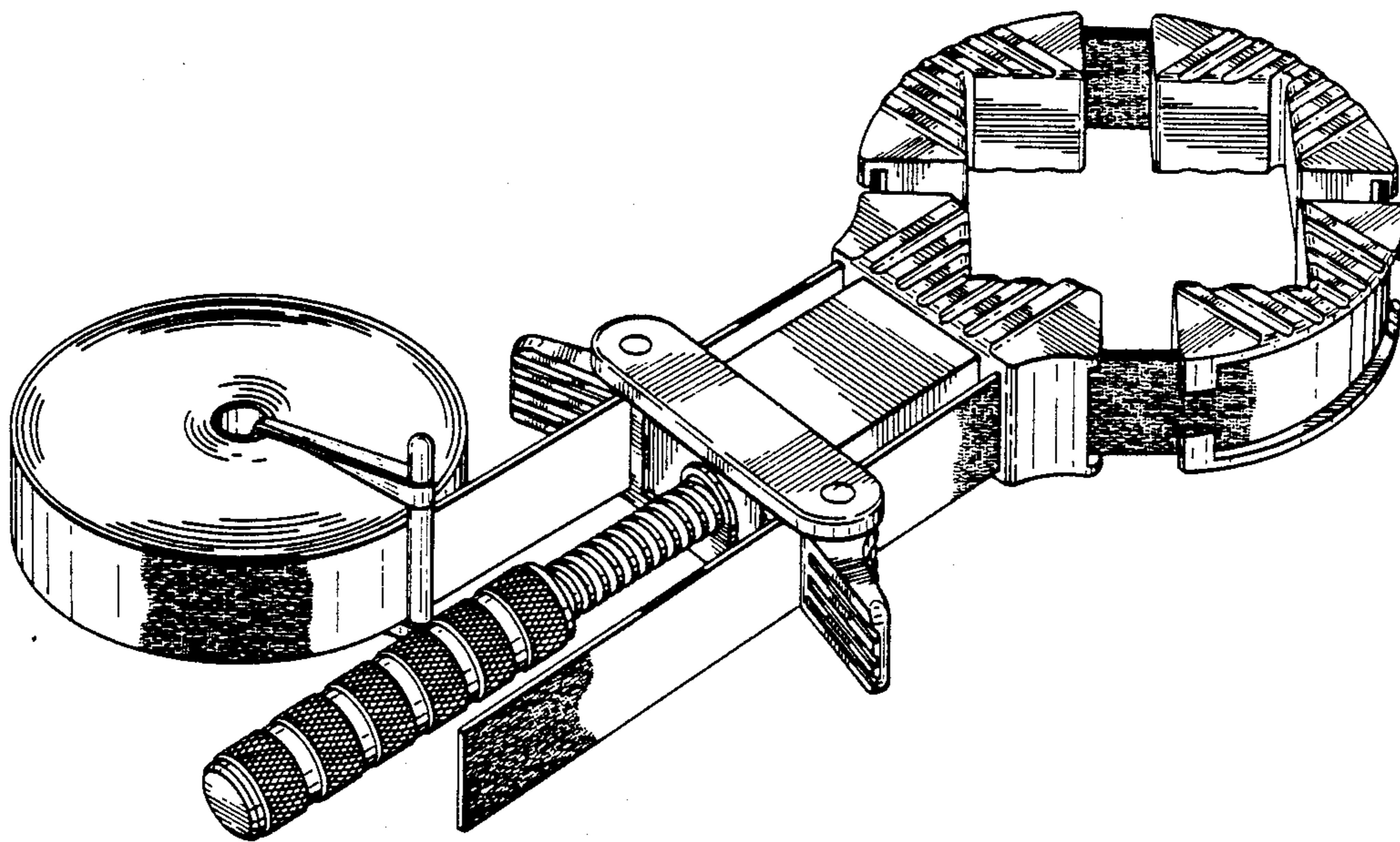
[57] CLAIM

The ornamental design for a picture-framing clamp or the like, as shown and described.

DESCRIPTION

FIG. 1 is a top perspective view of a picture-framing clamp or the like showing my new design;  
 FIG. 2 is a top plan view thereof;  
 FIG. 3 is a right side elevational view thereof;  
 FIG. 4 is a left side elevational view thereof;  
 FIG. 5 is a front elevational view thereof;  
 FIG. 6 is a rear elevational view thereof; and  
 FIG. 7 is a bottom plan view thereof.

The cross-hatch pattern is intended to represent conventional fabric strapping and is understood to cover the entire area of the surfaces indicated.



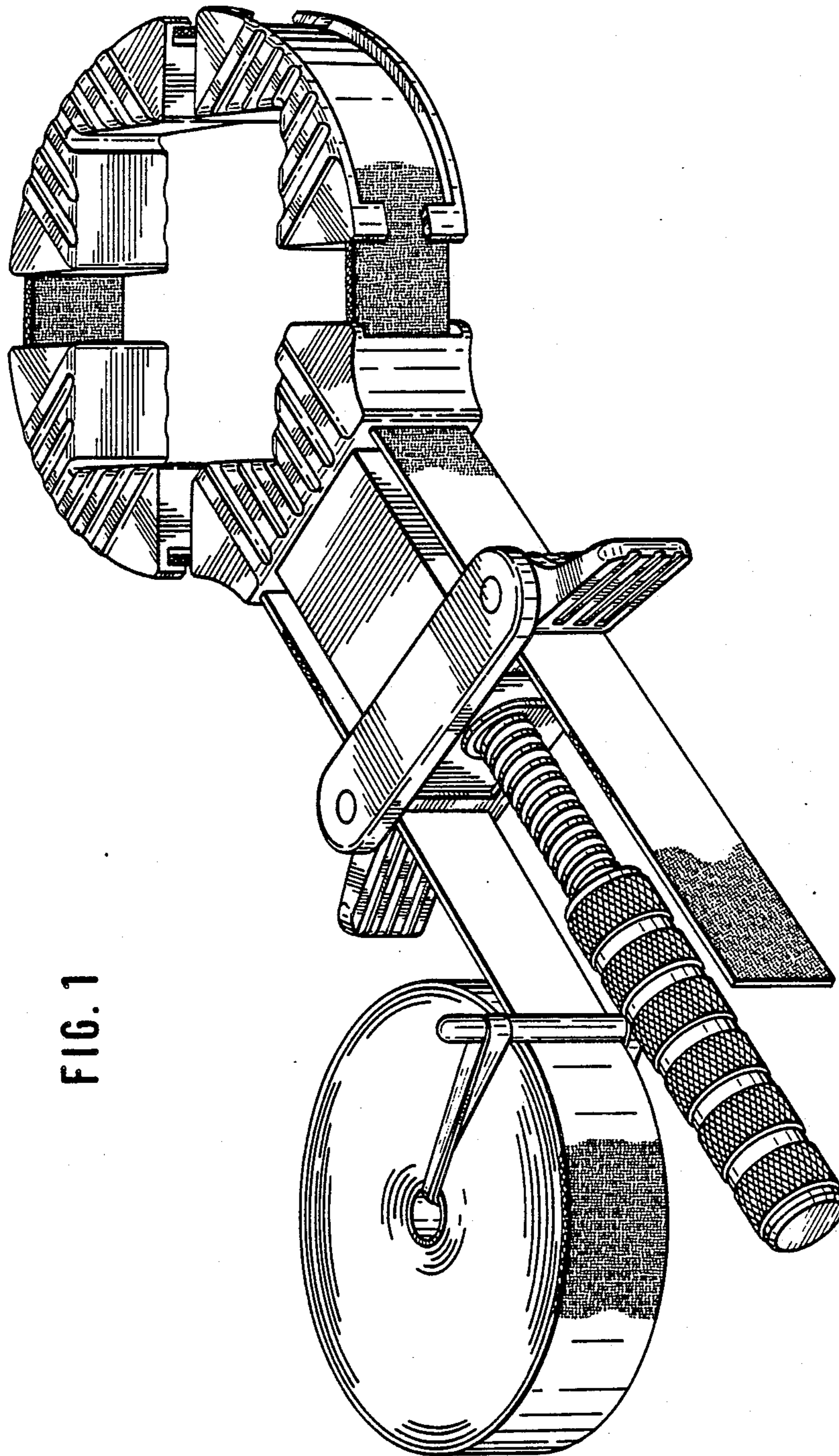


FIG. 1



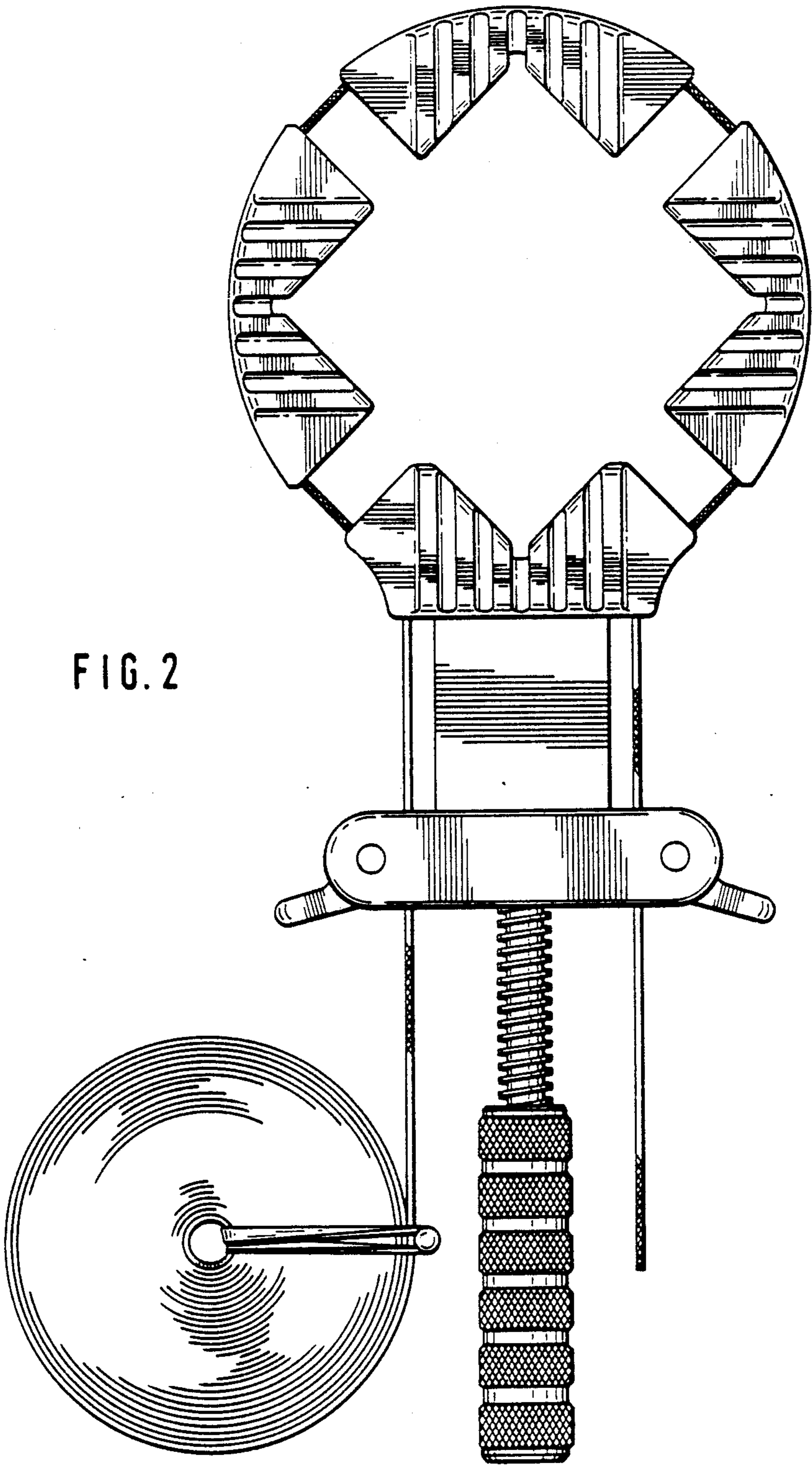


FIG. 2

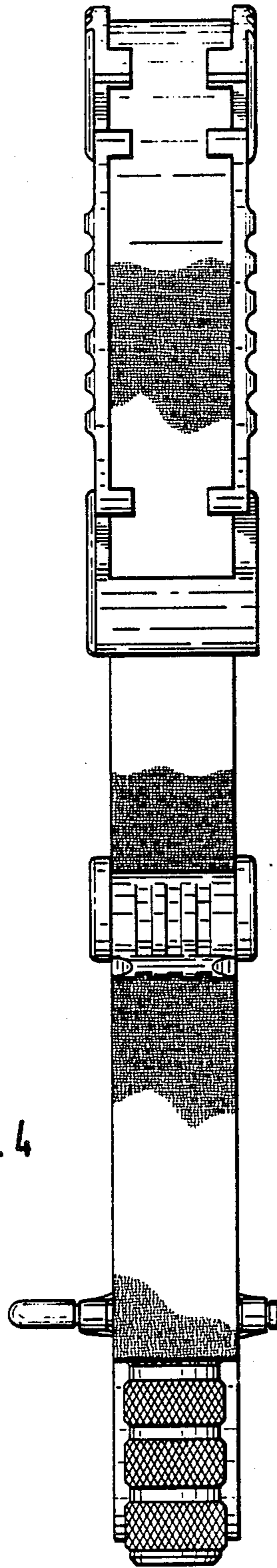
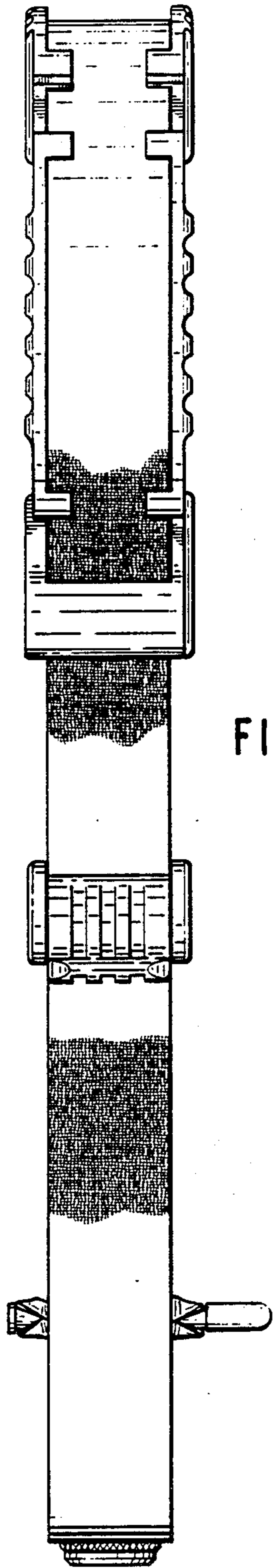


FIG. 5

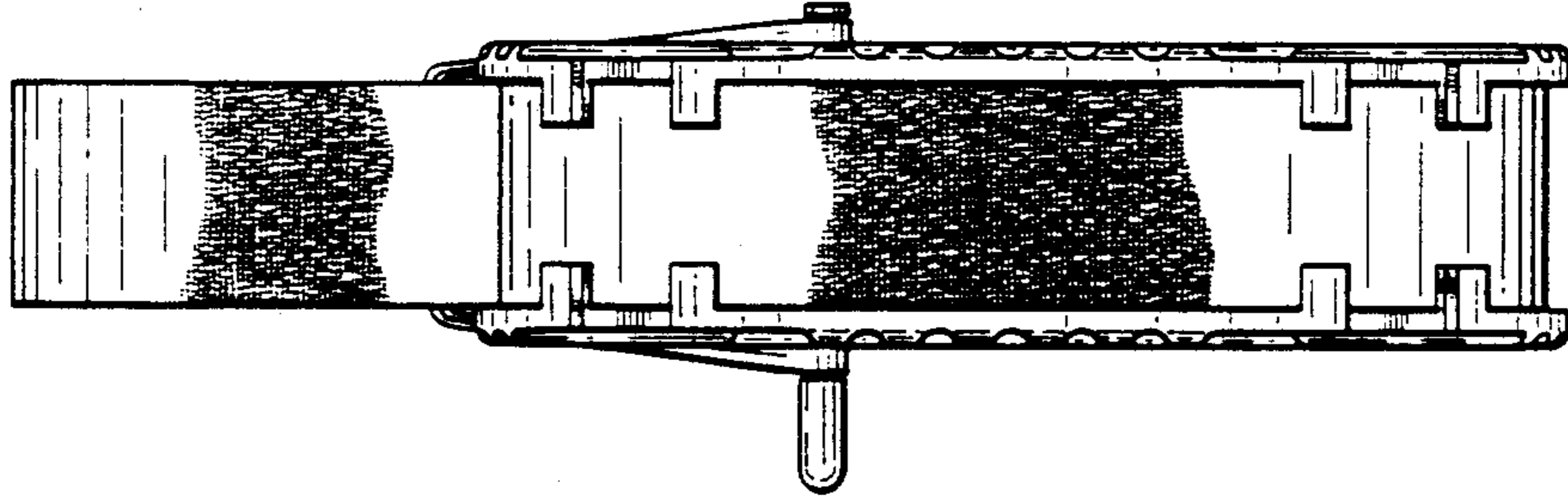
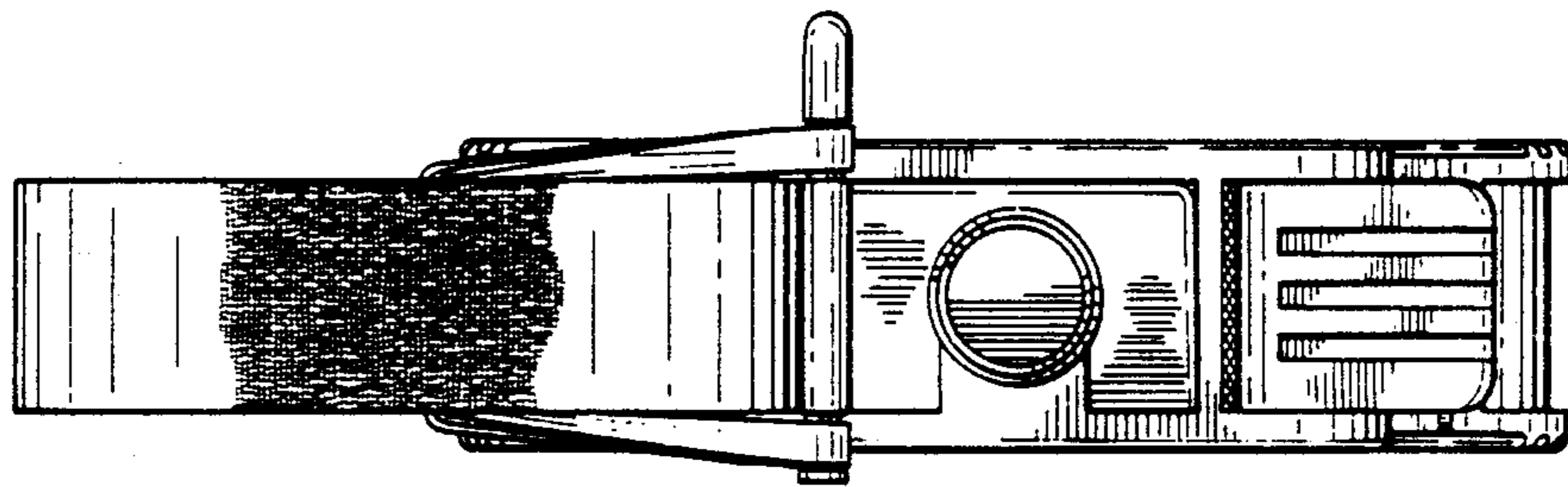


FIG. 6



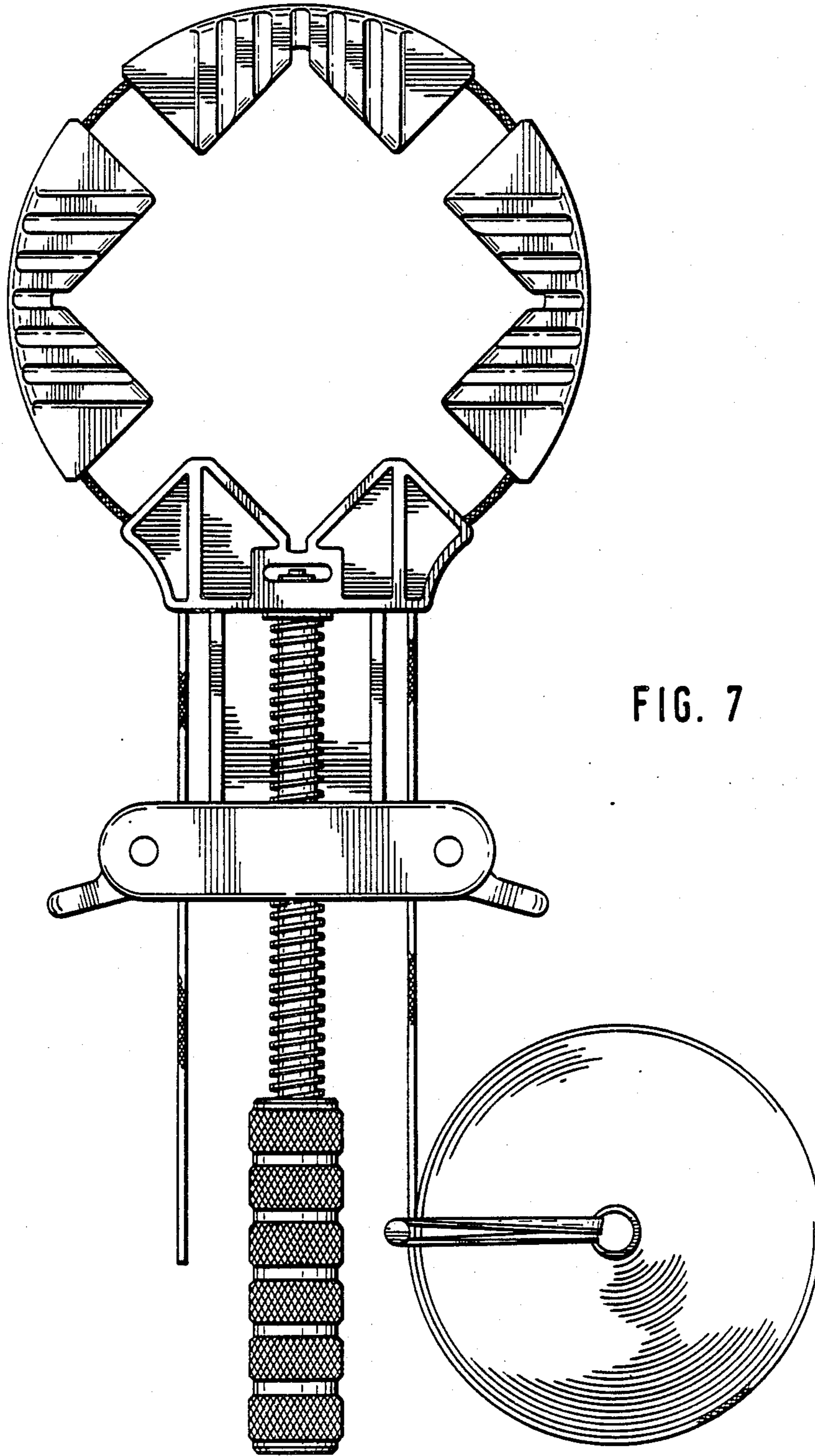


FIG. 7