

[54] **MITRE BOX**

[75] **Inventor: Kurt Persson, Mattmar, Sweden**

[73] **Assignee: Nobex Aktiebolag, Halabacken, Sweden**

[**] **Term: 14 Years**

[21] **Appl. No.: 879,162**

[22] **Filed: Jun. 26, 1986**

[30] **Foreign Application Priority Data**

Jan. 27, 1986 [SE] Sweden 86-0189

[52] **U.S. Cl. D8/71**

[58] **Field of Search D8/71-74, D8/104-105, 98; 30/286, 289-290; 83/746, 477, 477.1-477.2, 486.1, 490, 574, 581, 760-768; 269/1, 41, 95, 246-253, 258, 295**

[56] **References Cited**

U.S. PATENT DOCUMENTS

D. 235,967 7/1975 Hildebrandt et al. D8/71
1,843,267 2/1932 Burdick 83/763

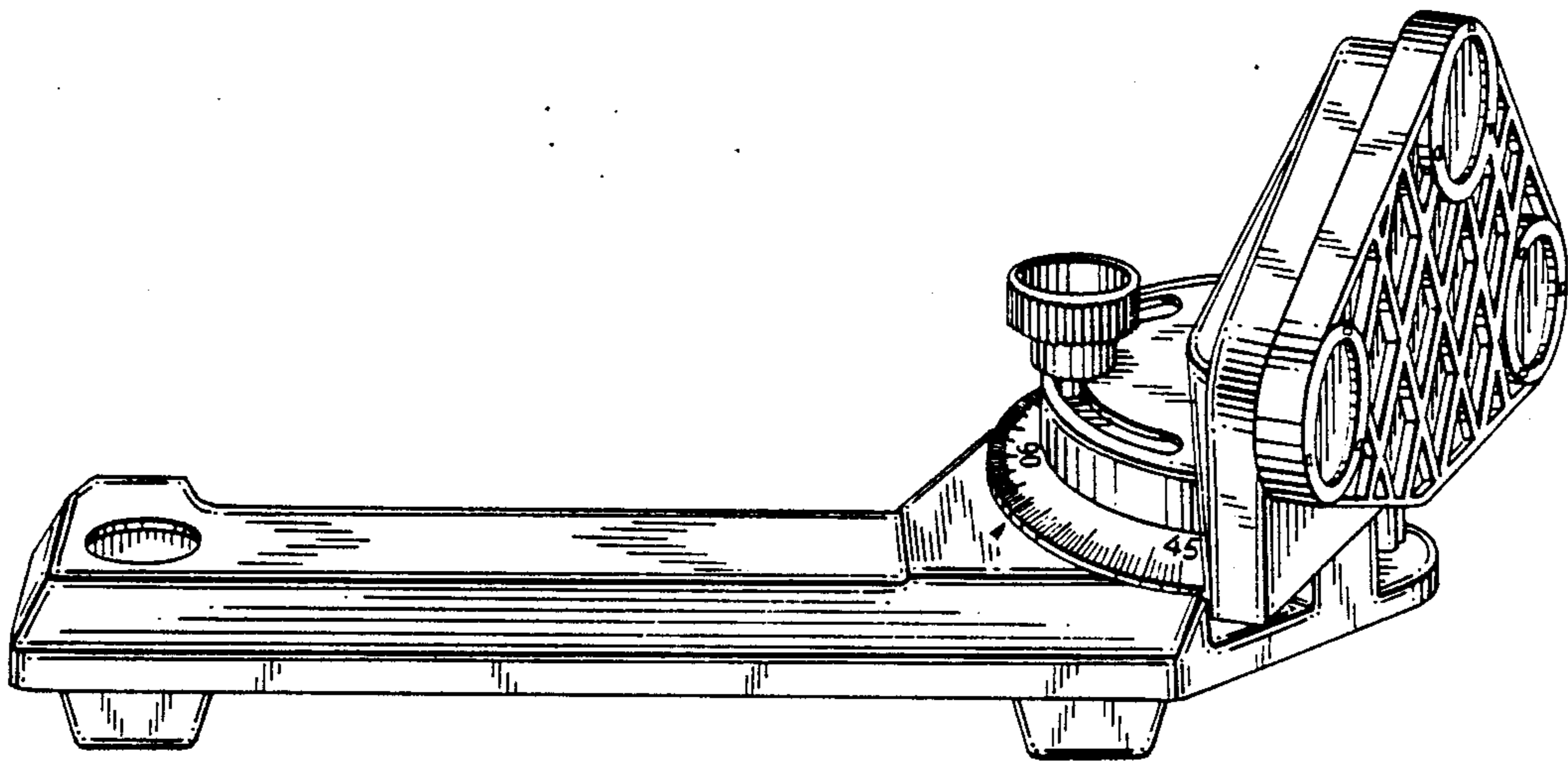
Primary Examiner—Wallace R. Burke
Assistant Examiner—Brian N. Vinson
Attorney, Agent, or Firm—Robert E. Burns; Emmanuel J. Lobato

[57] **CLAIM**

The ornamental design for a mitre box, substantially as shown and described.

DESCRIPTION

FIG. 1 is a side and front perspective view of a mitre box showing my new design;
FIG. 2 is a side and rear perspective view thereof; and
FIG. 3 is a bottom perspective view thereof.



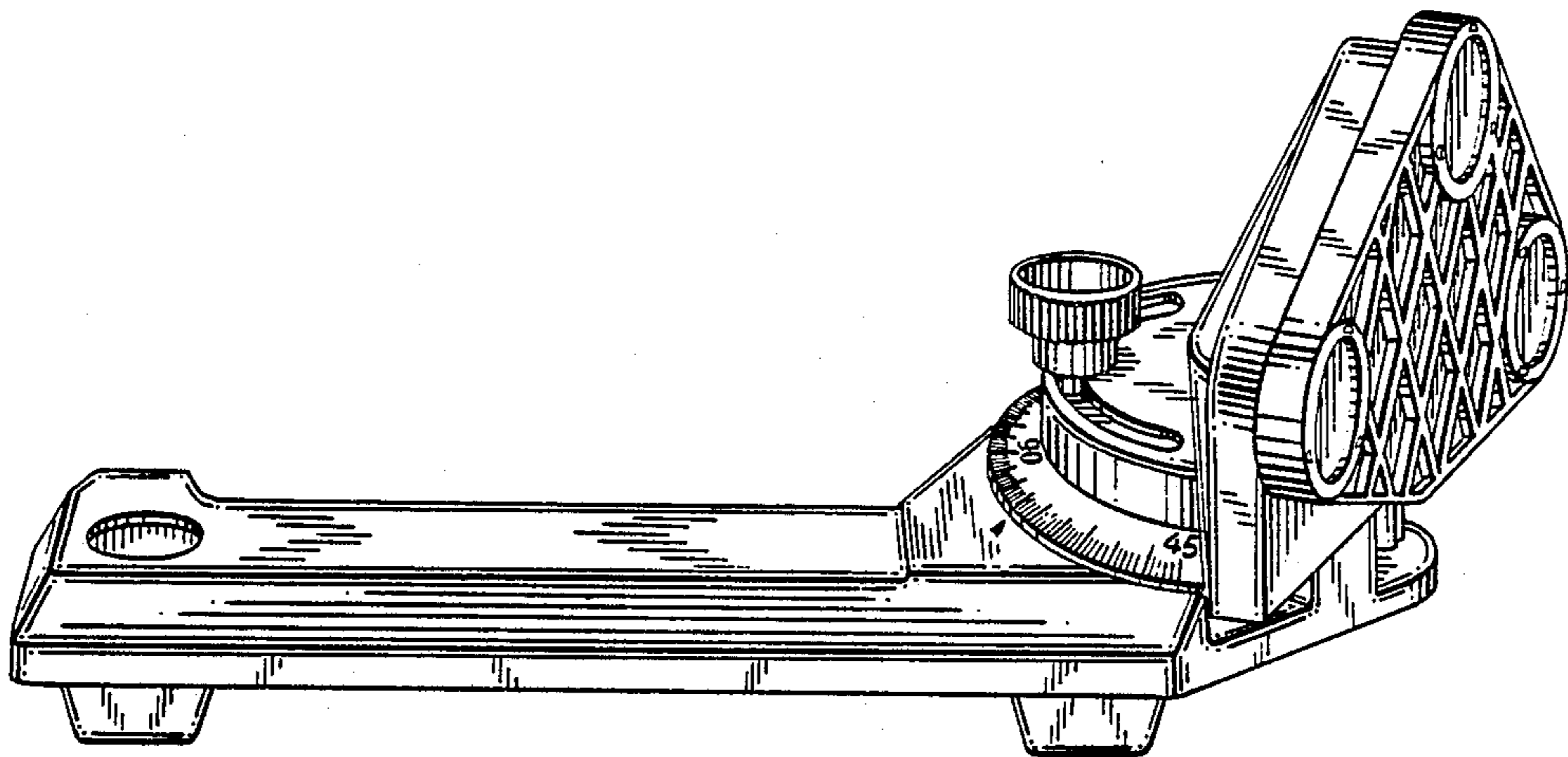


FIG. 1

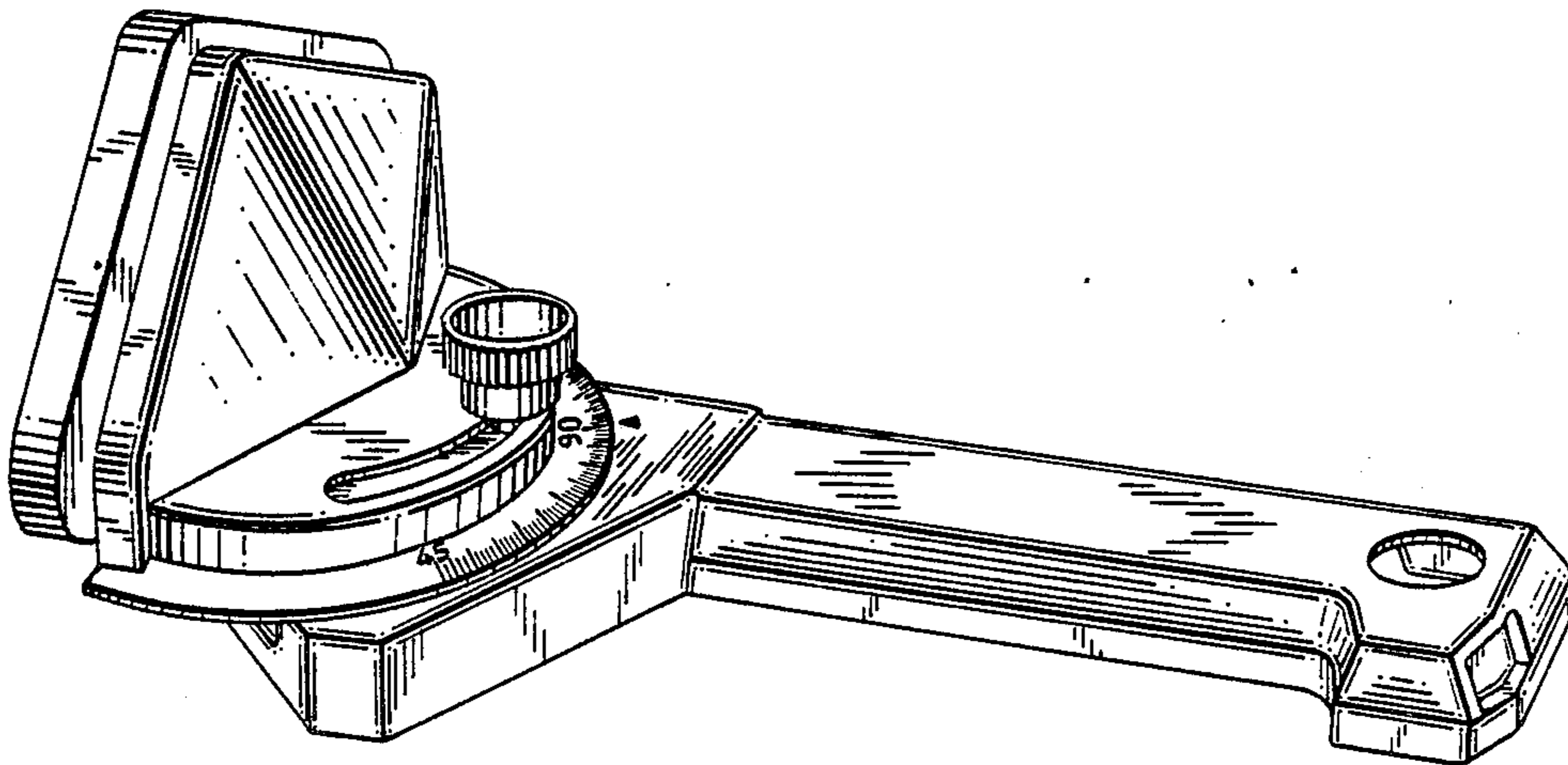


FIG. 2

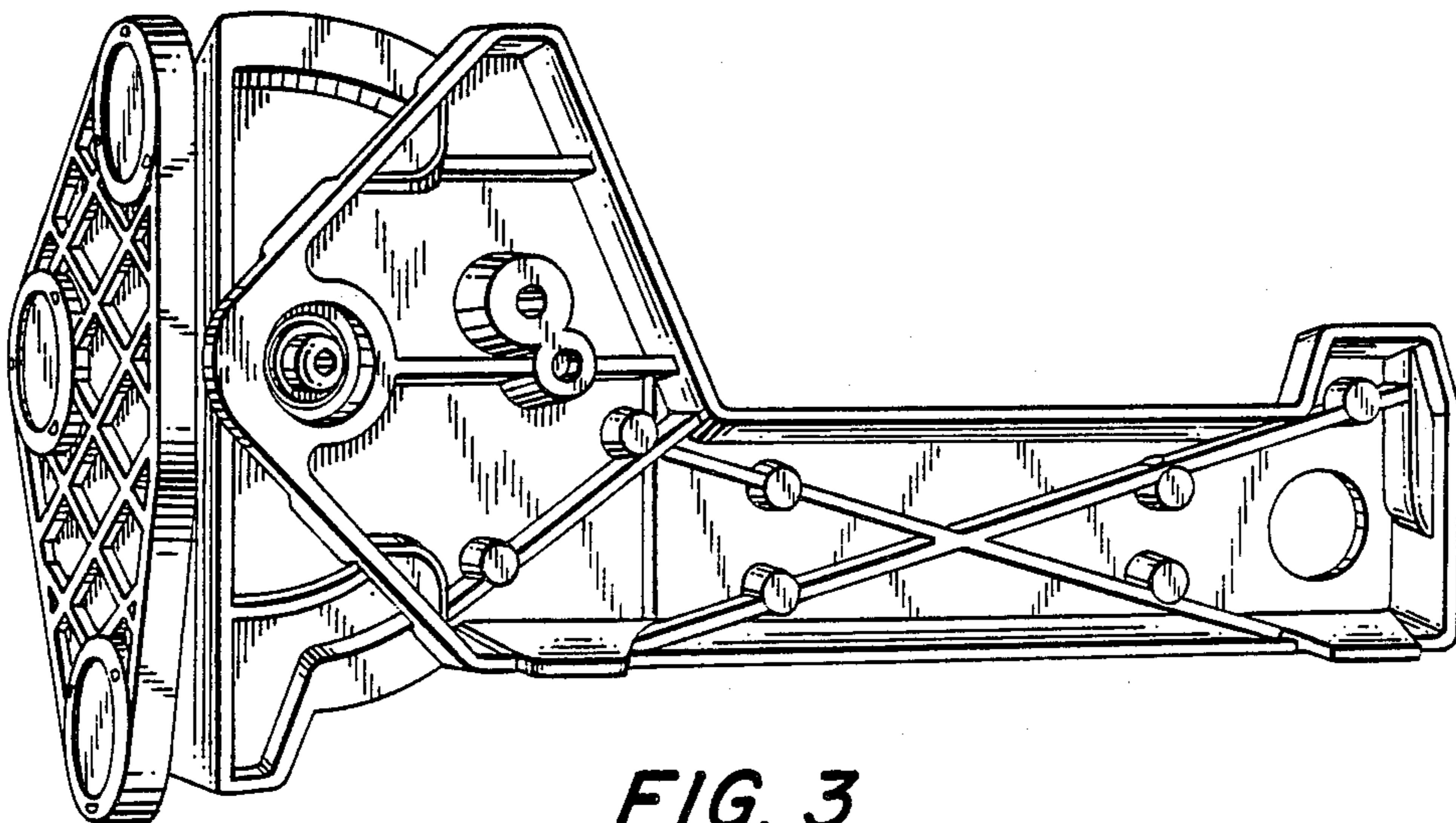


FIG. 3