

[54] PORTABLE ELECTRIC GRINDER

[75] Inventors: Kiyoshi Hoshino, Tokyo; Kazuyuki Takahashi, Hiroshima, both of Japan

[73] Assignee: Ryobi Ltd., Hiroshima, Japan

[**] Term: 14 Years

[21] Appl. No.: 736,903

[22] Filed: May 22, 1985

[30] Foreign Application Priority Data

Nov. 22, 1984 [JP] Japan 59-48083

[52] U.S. Cl. D8/62

[58] Field of Search D8/61-62; 51/170 R, 170 T, 170 TL, 170 MT, 134.5 F

[56] References Cited

U.S. PATENT DOCUMENTS

D. 218,277 8/1970 Boldt D8/62

D. 255,417 6/1980 Sakamoto et al. D8/62

OTHER PUBLICATIONS

AEG Heavy Duty Power Tools Catalogue, 1977, p. 27, No. WS330 4½" One-Hand Angle Grinder.

Black & Decker Industrial/Construction Division Catalogue, 1982, p. 49, No. 4246-09 Heavy-Duty 4½" AC/DC Angle Grinder.

Metabo Power Tools Brochure, p. 1, No. AG705 5" High Performance Grinding System.

Primary Examiner—Wallace R. Burke

Assistant Examiner—Brian N. Vinson

Attorney, Agent, or Firm—Sughrue, Mion, Zinn, Macpeak & Seas

[57] CLAIM

The ornamental design for a portable electric grinder, as shown.

DESCRIPTION

FIG. 1 is a front elevational view of a portable electric grinder showing our new design;

FIG. 2 is a rear elevational view thereof;

FIG. 3 is a top plan view thereof;

FIG. 4 is a left side elevational view thereof;

FIG. 5 is a bottom plan view thereof; and

FIG. 6 is a right side elevational view thereof.

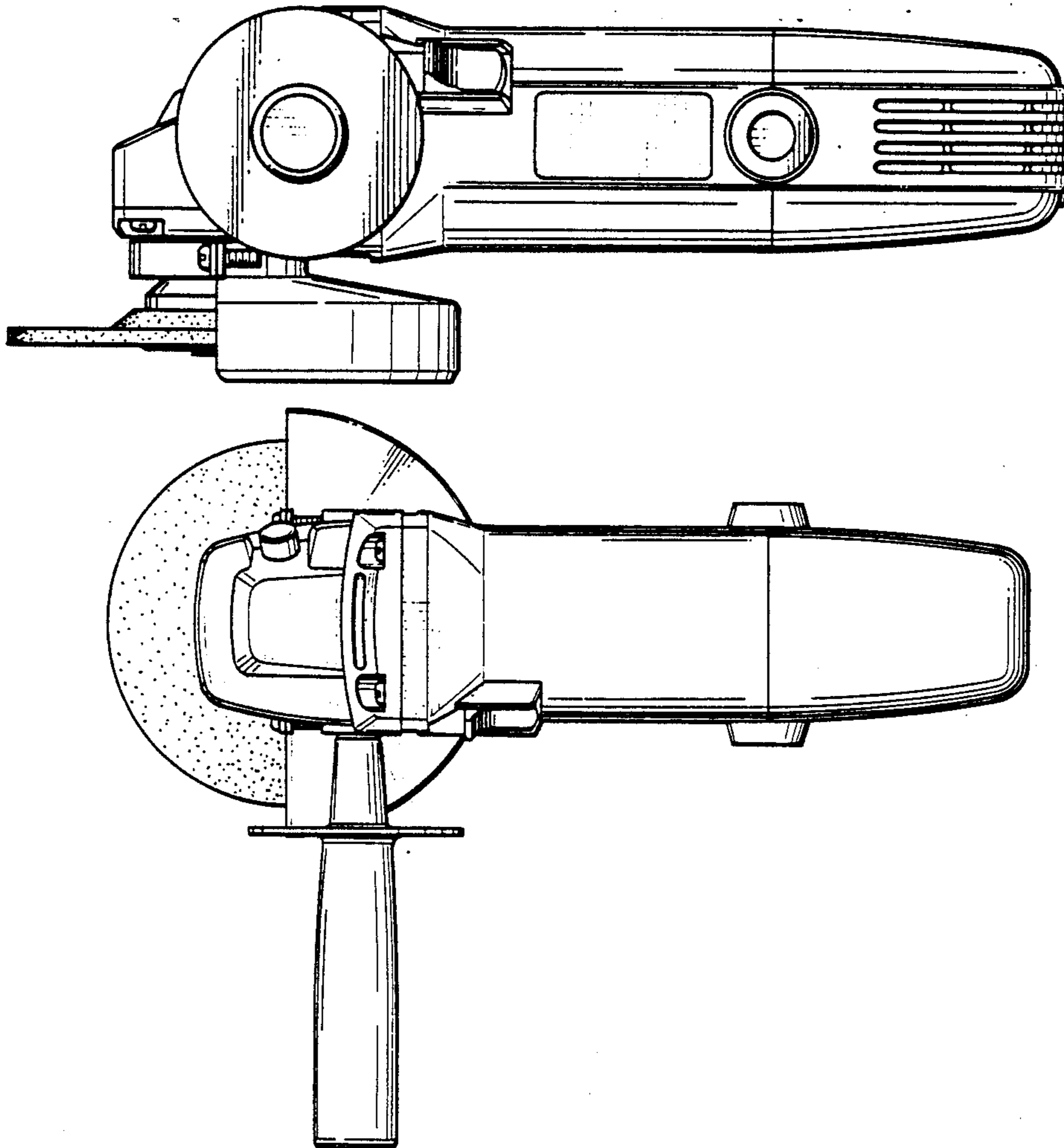


Fig. 1

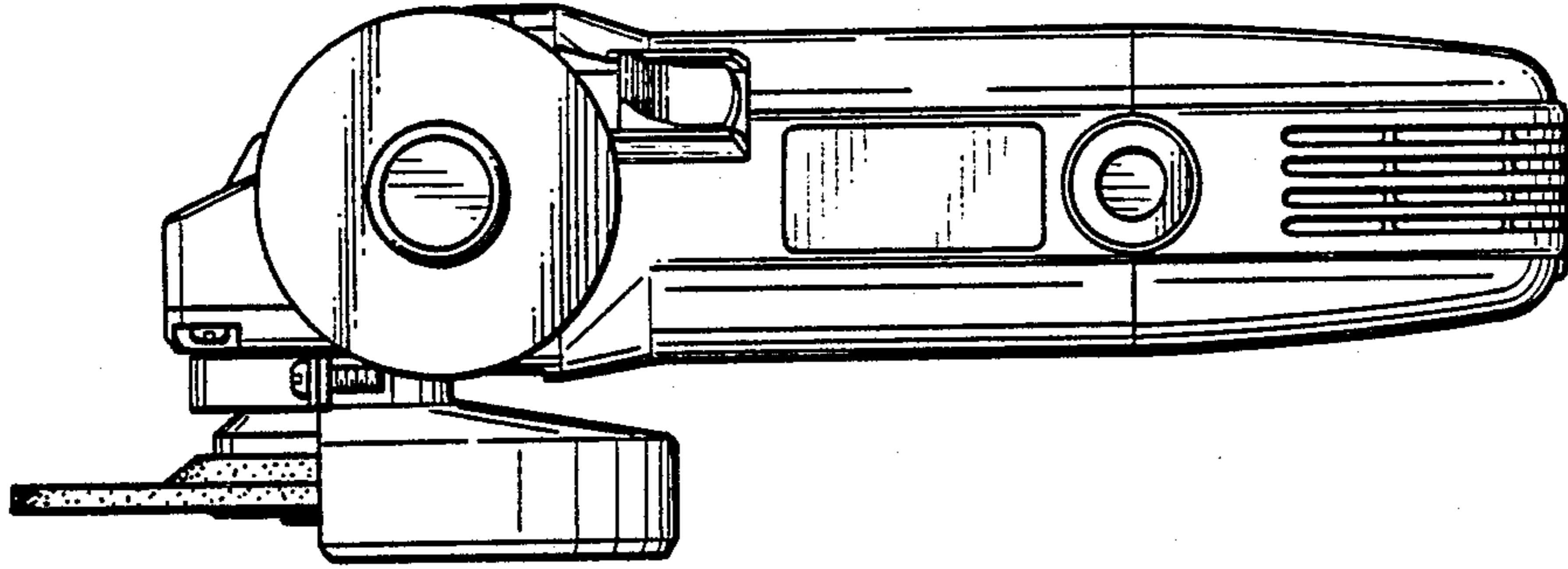


Fig. 2

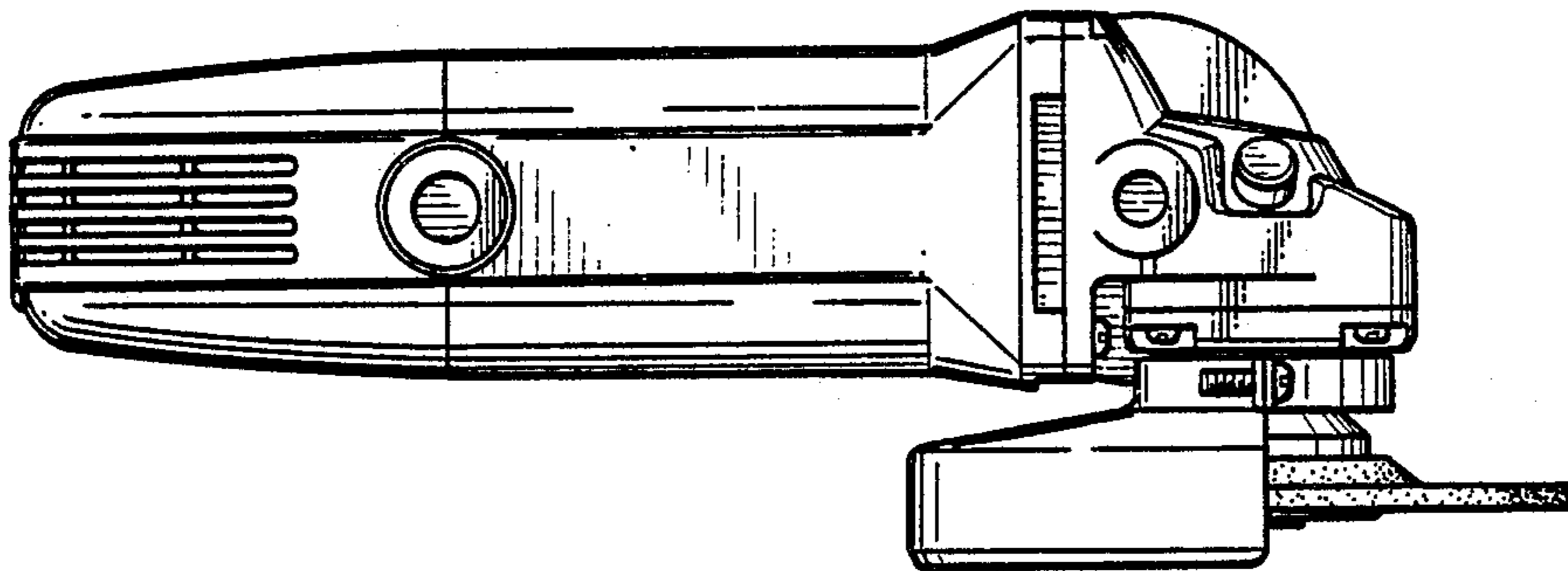


Fig. 3

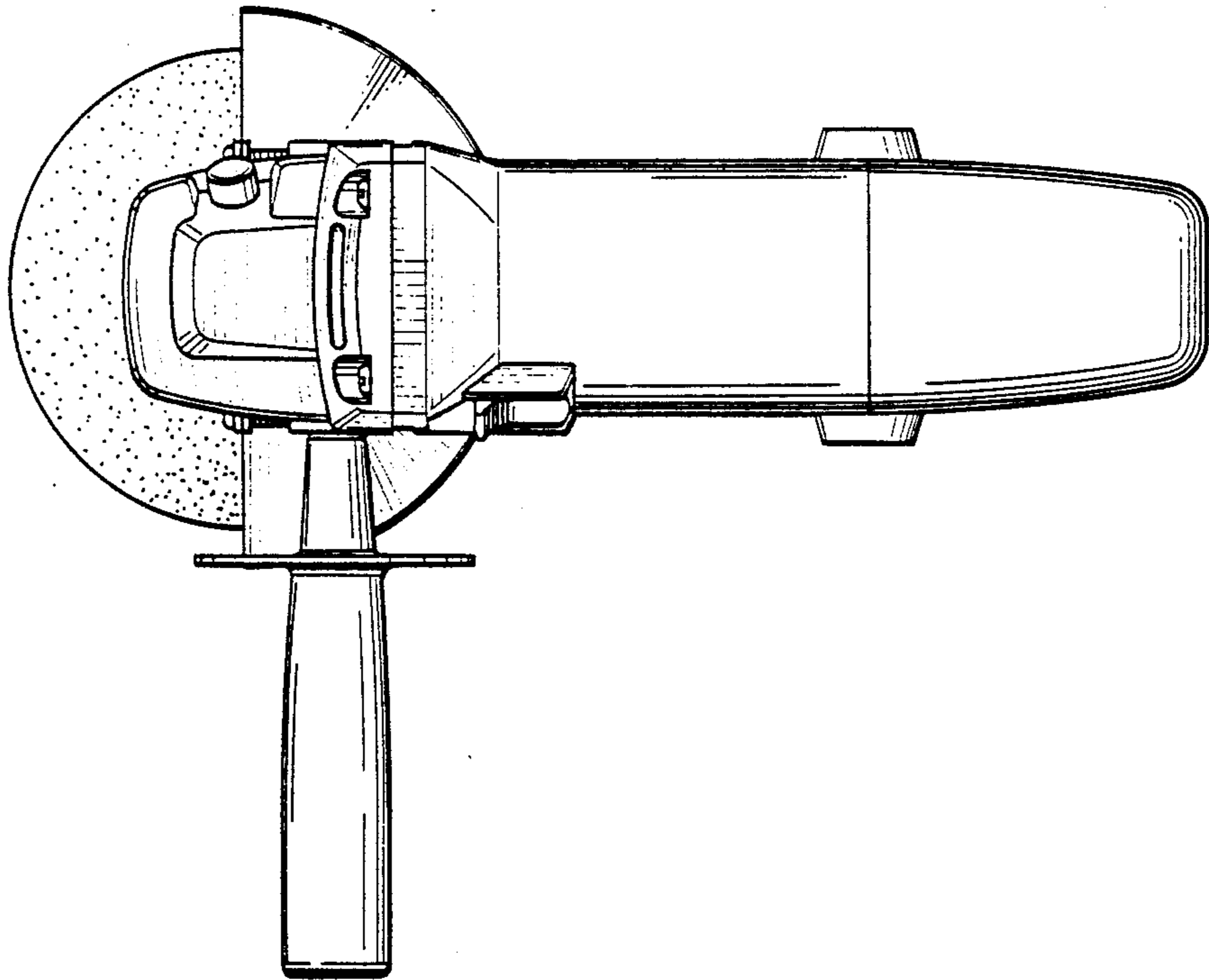
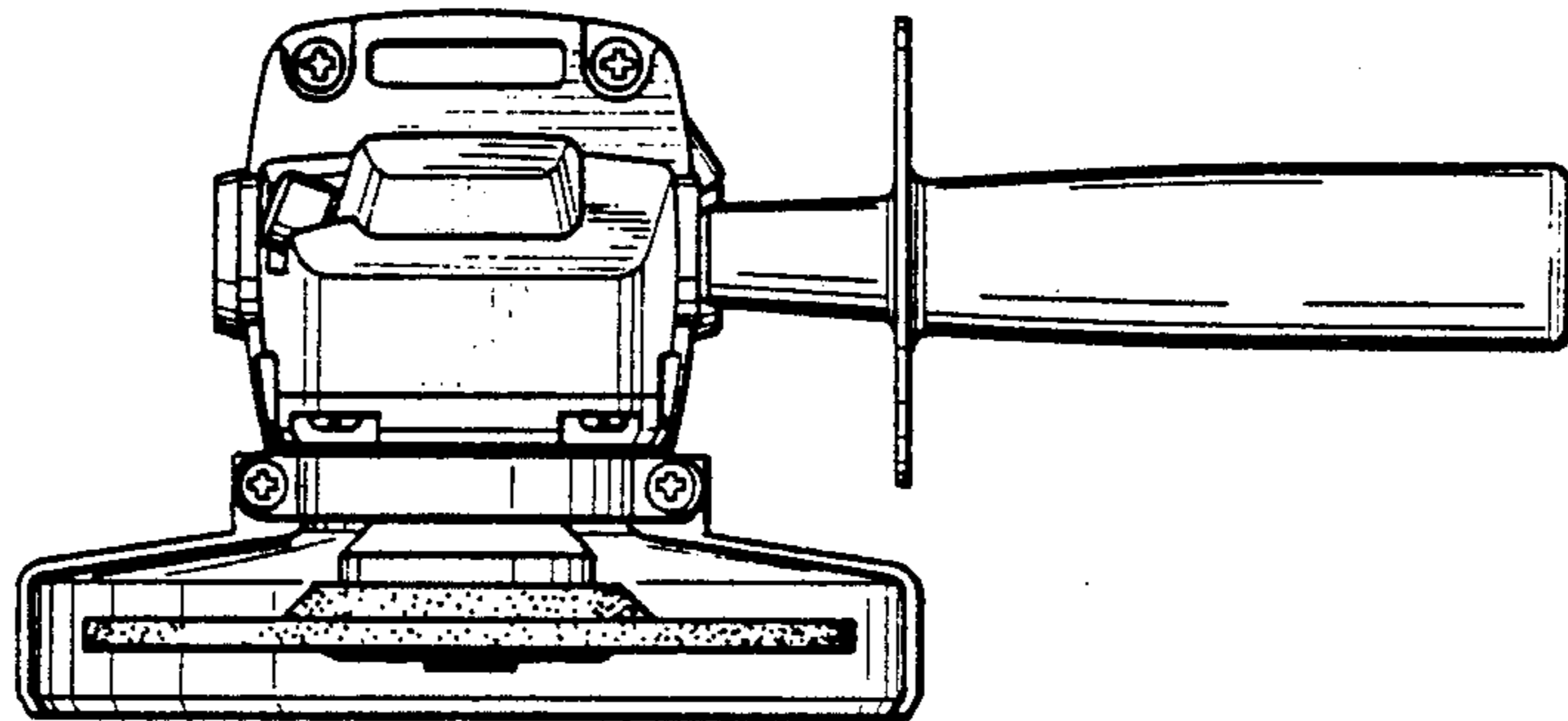


Fig. 4



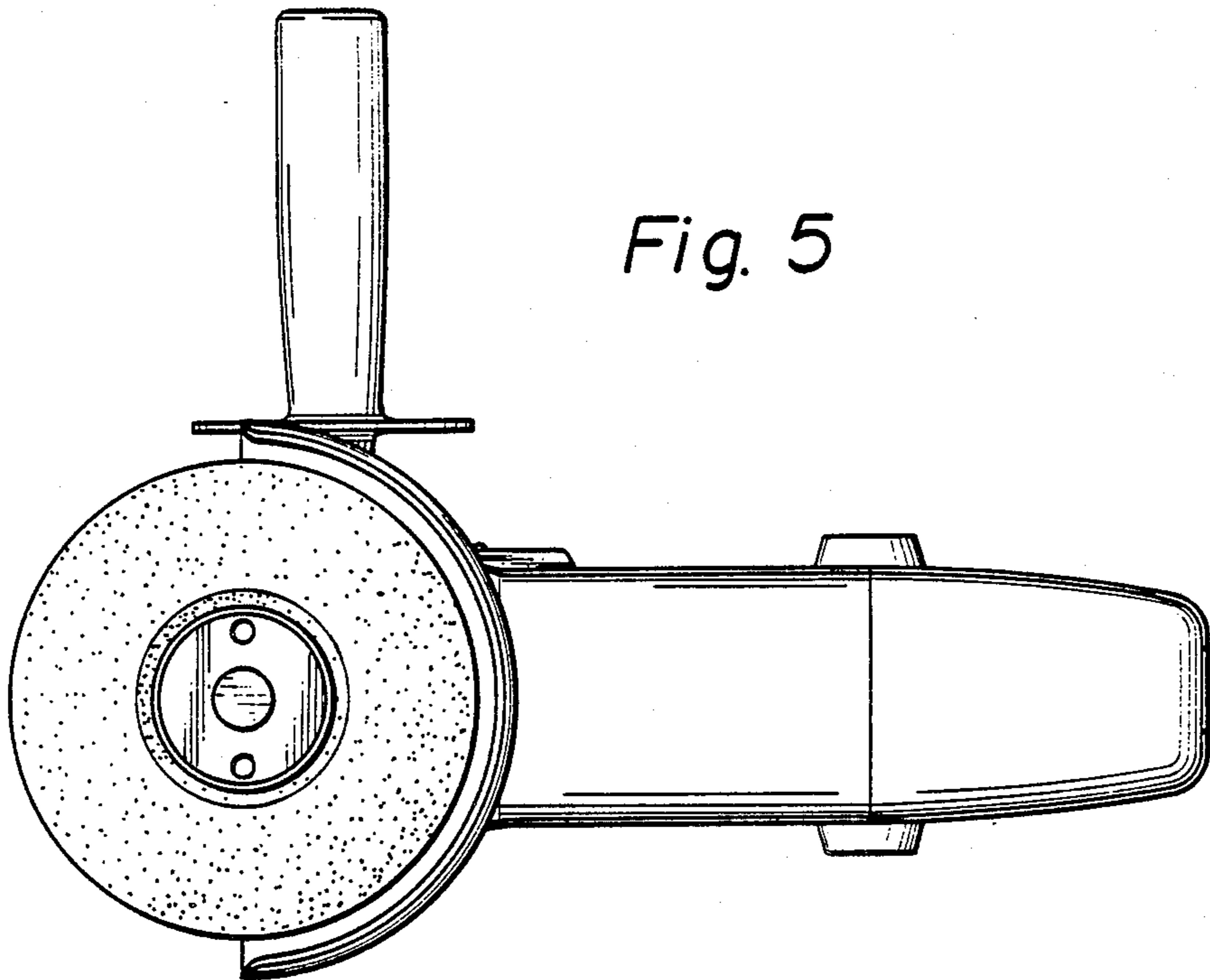


Fig. 5

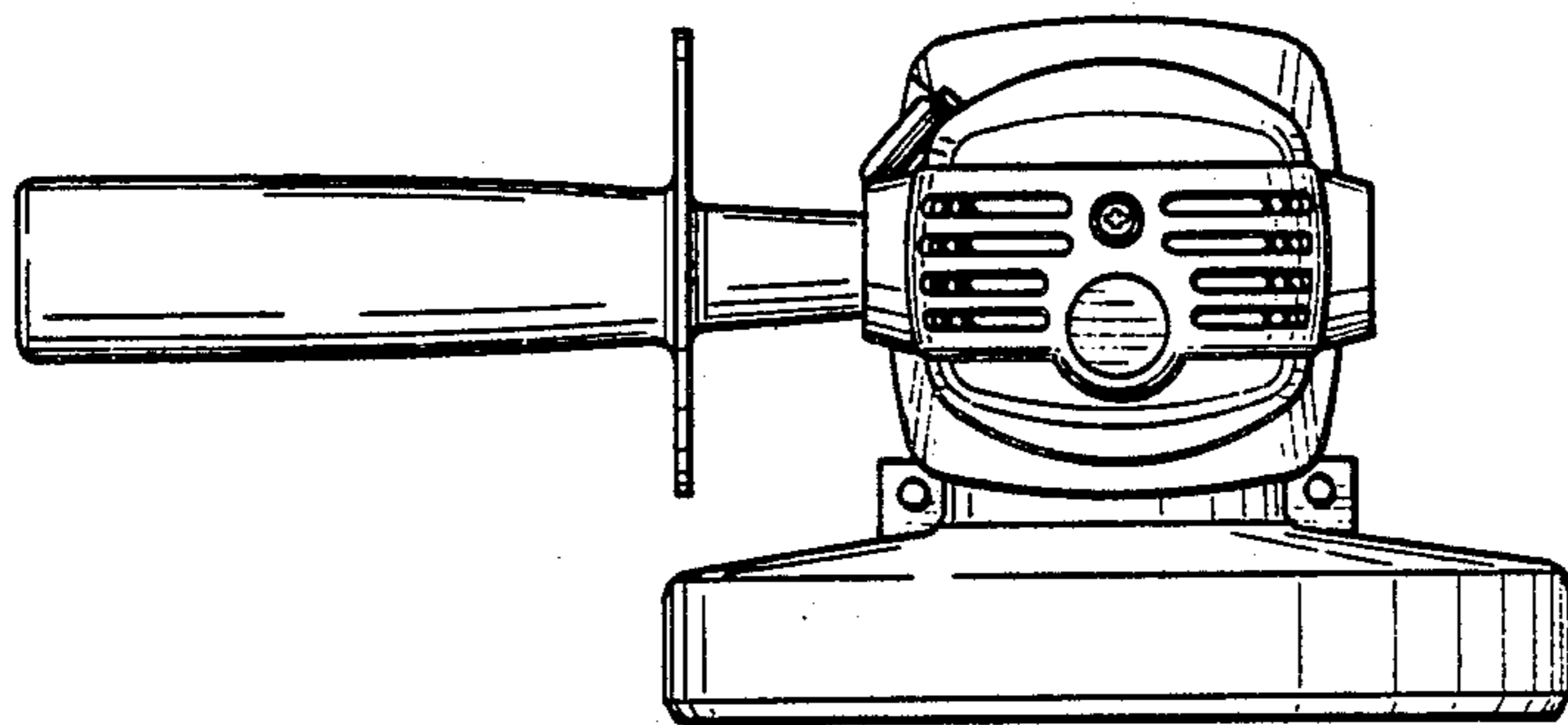


Fig. 6