

[54] COMBINED CIRCULAR SAW AND MITERBOX UNIT

FOREIGN PATENT DOCUMENTS

516205 2/1955 Italy .

[75] Inventors: Louis C. Brickner, Jr., Pittsburgh, Pa.; Jerry D. Skipworth, Burkesville, Ky.; Steven W. Ashworth, Blawnox, Pa.

OTHER PUBLICATIONS

[73] Assignee: Delta International Machinery Corp., Pittsburgh, Pa.

Delta Machinery Catalog, "For Building Trades and Home Shops" AD-4830R; Jan. 1986 4Y (80), pp. 2-7. Rockwell Manufacturing Company Catalog dated 8/1/65, PM-422-11-651-0001.

[**] Term: 14 Years

Delta Catalog "Motorized Miter Box" dated 1/10/85, p. 1.

[21] Appl. No.: 846,544

Rockwell International Brochure "34-010 Motorized Miter Box (Old Style, prior to Ser. No. FD-6576), dated 6/14/77.

[22] Filed: Apr. 3, 1986

Delta Brochure, "33-150 Sawbuck Frame & Trim Saw", data 1/15/86.

[52] U.S. Cl. D8/66; D8/71

Sears Power and Handtool Catalogue 1979-80, p. 19 "Craftsman 10-Inch Motorized Miter Saw".

[58] Field of Search D8/61, 66, 71; 83/471.2-471.3, 470, 486.1, 490, 574, 581, 760-768; 269/1, 41, 95, 246-253, 258, 295; 30/286, 289-290; 143/6, 36, 47

Hirsch brochure, "Miter Maker".

Black & Decker Industrial/Construction Division Catalogue, 1982, p. 27, #3090, "Miter Box".

[56] References Cited

U.S. PATENT DOCUMENTS

1,778,971	10/1930	De Koning	143/159 X
2,201,658	5/1940	Whitney	143/6 X
2,208,582	7/1940	Hollister	143/6
2,252,112	8/1941	Bailey	143/36
2,323,248	6/1943	Sellmeyer	143/47
2,558,217	6/1951	Hess et al.	83/574 X
2,911,017	11/1959	Holder	143/6 X
3,538,967	11/1970	Hensley	144/318
3,821,918	7/1974	Niehaus et al.	83/477.1 X
3,994,192	11/1976	Faig	83/490
4,002,094	1/1977	Erickson et al.	83/471.3
4,265,154	5/1981	Batson	83/477 X
4,527,453	7/1985	van Hauten	83/581 X
4,537,105	8/1985	Bergler	83/581 X

Primary Examiner—Wallace R. Burke
Assistant Examiner—Brian N. Vinson
Attorney, Agent, or Firm—Merchant, Gould, Smith, Edell, Welter & Schmidt

[57] CLAIM

The ornamental design for a combined circular saw and miterbox unit, substantially as shown.

DESCRIPTION

FIG. 1 is a top front and left side perspective view of a combined circular saw and miterbox unit showing our new design;
FIG. 2 is a front elevational view thereof;
FIG. 3 is a rear elevational view thereof;
FIG. 4 is a right side elevational view thereof;
FIG. 5 is a left side elevational view thereof;
FIG. 6 is a top plan view thereof; and
FIG. 7 is a bottom plan view thereof.

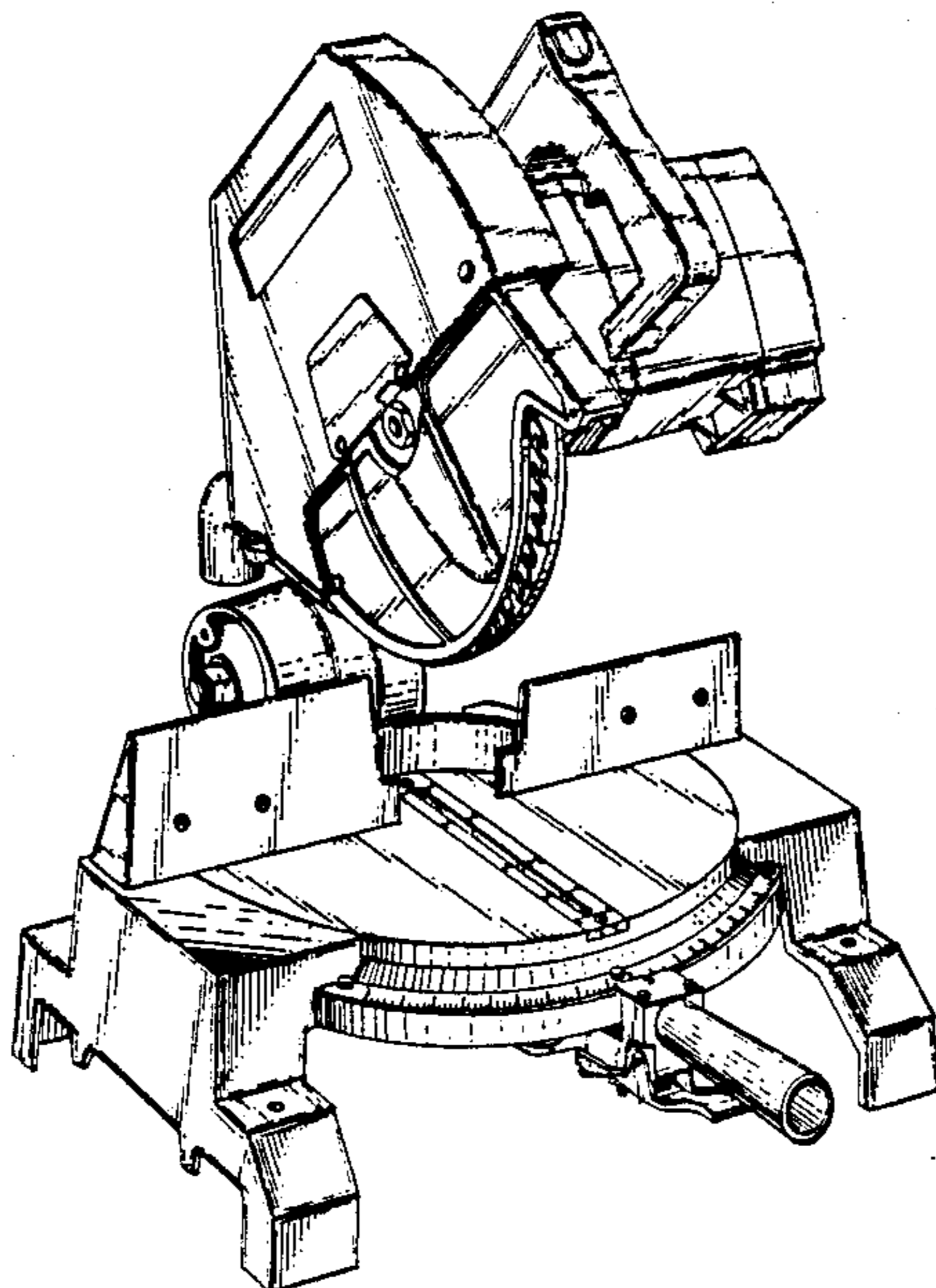


FIG. 1

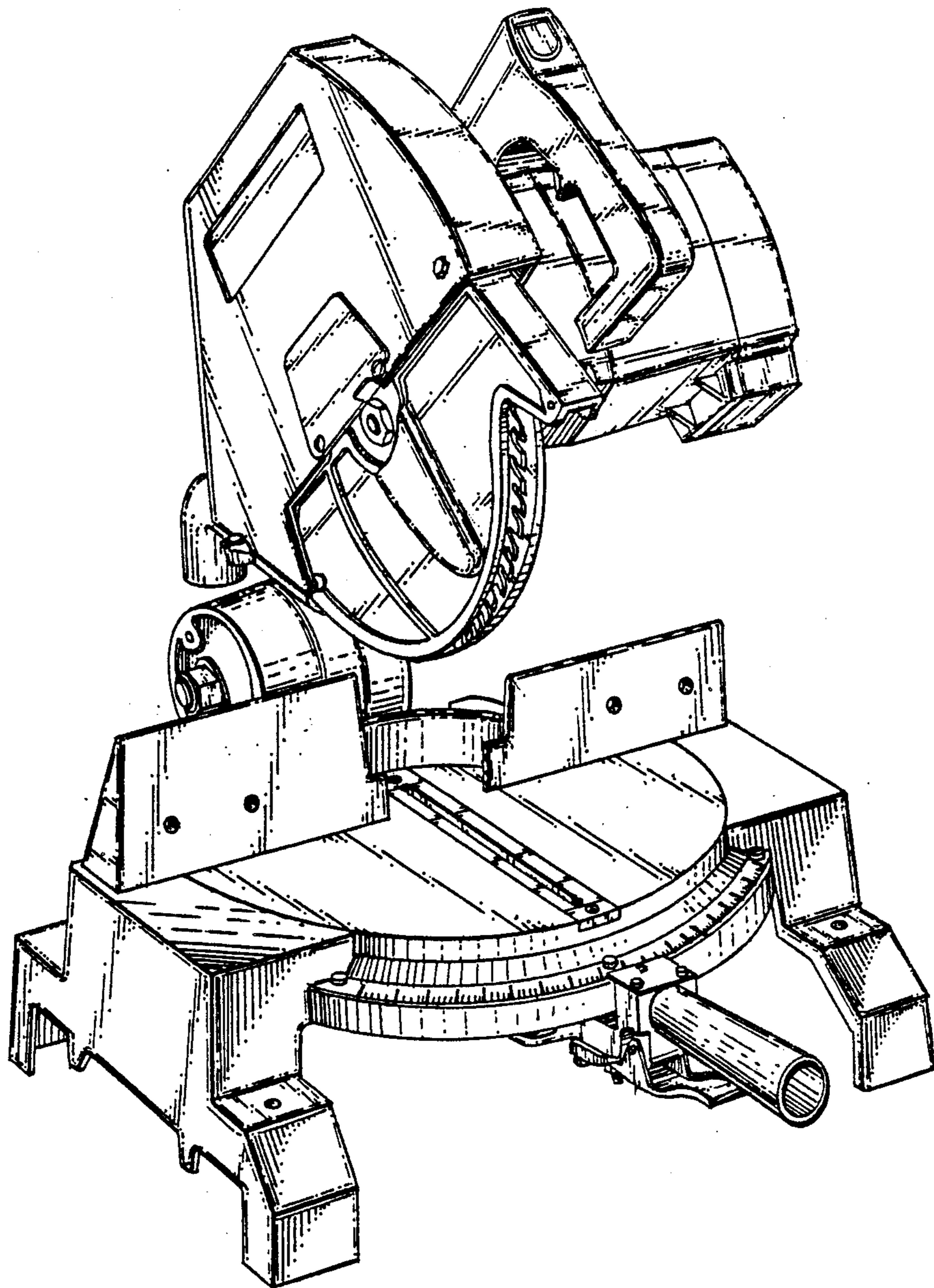


FIG. 2

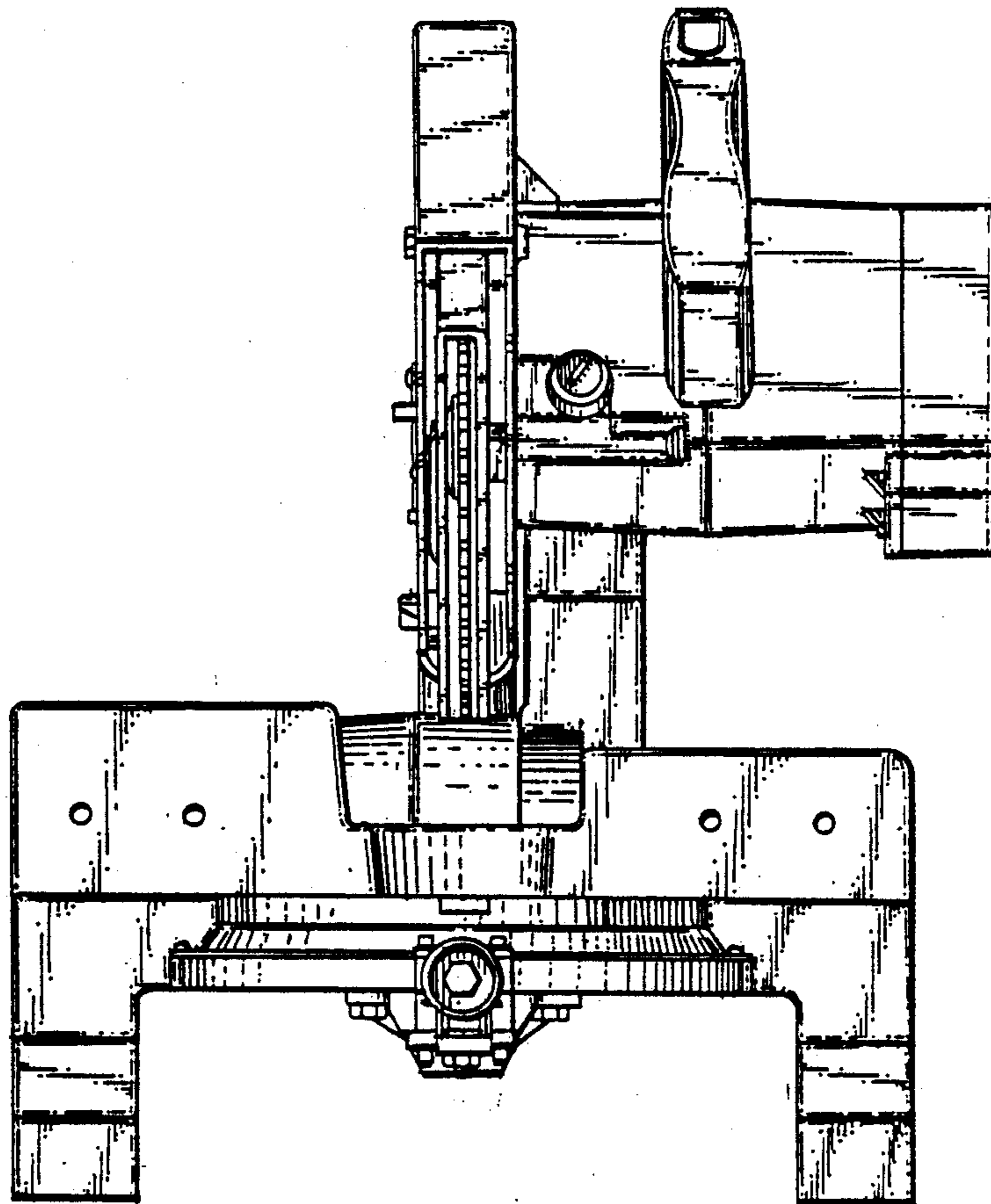


FIG. 3

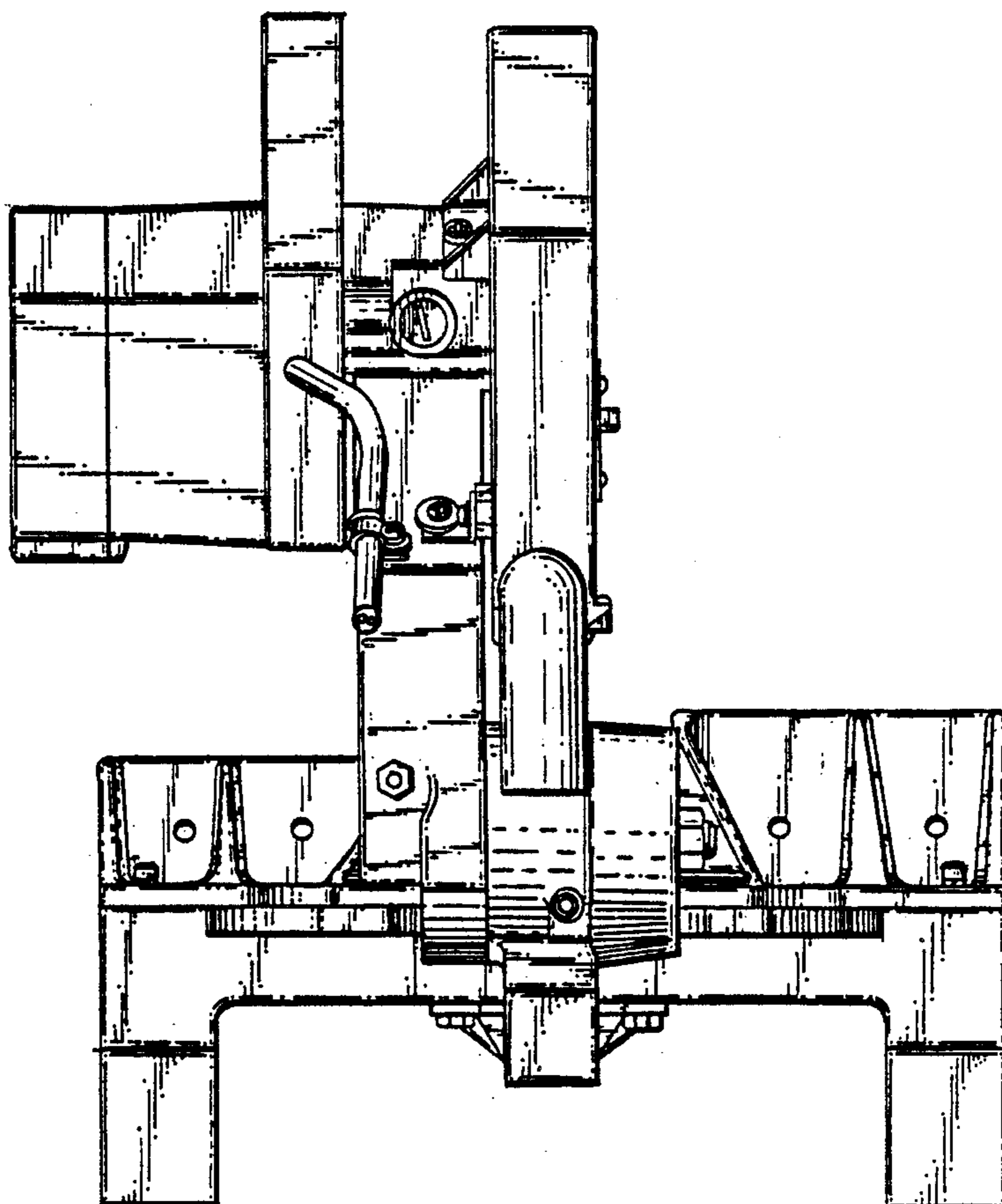


FIG. 4

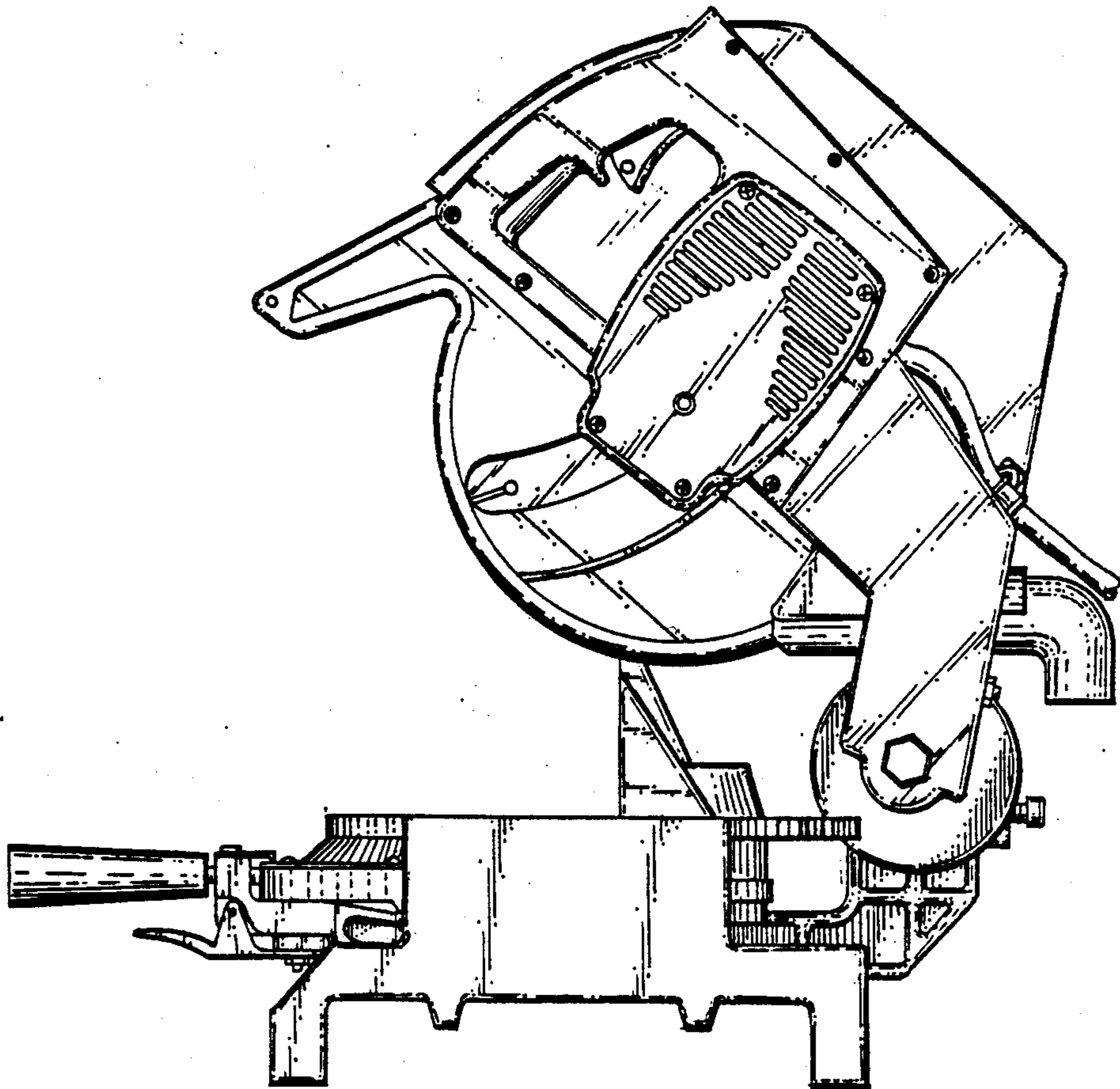


FIG. 5

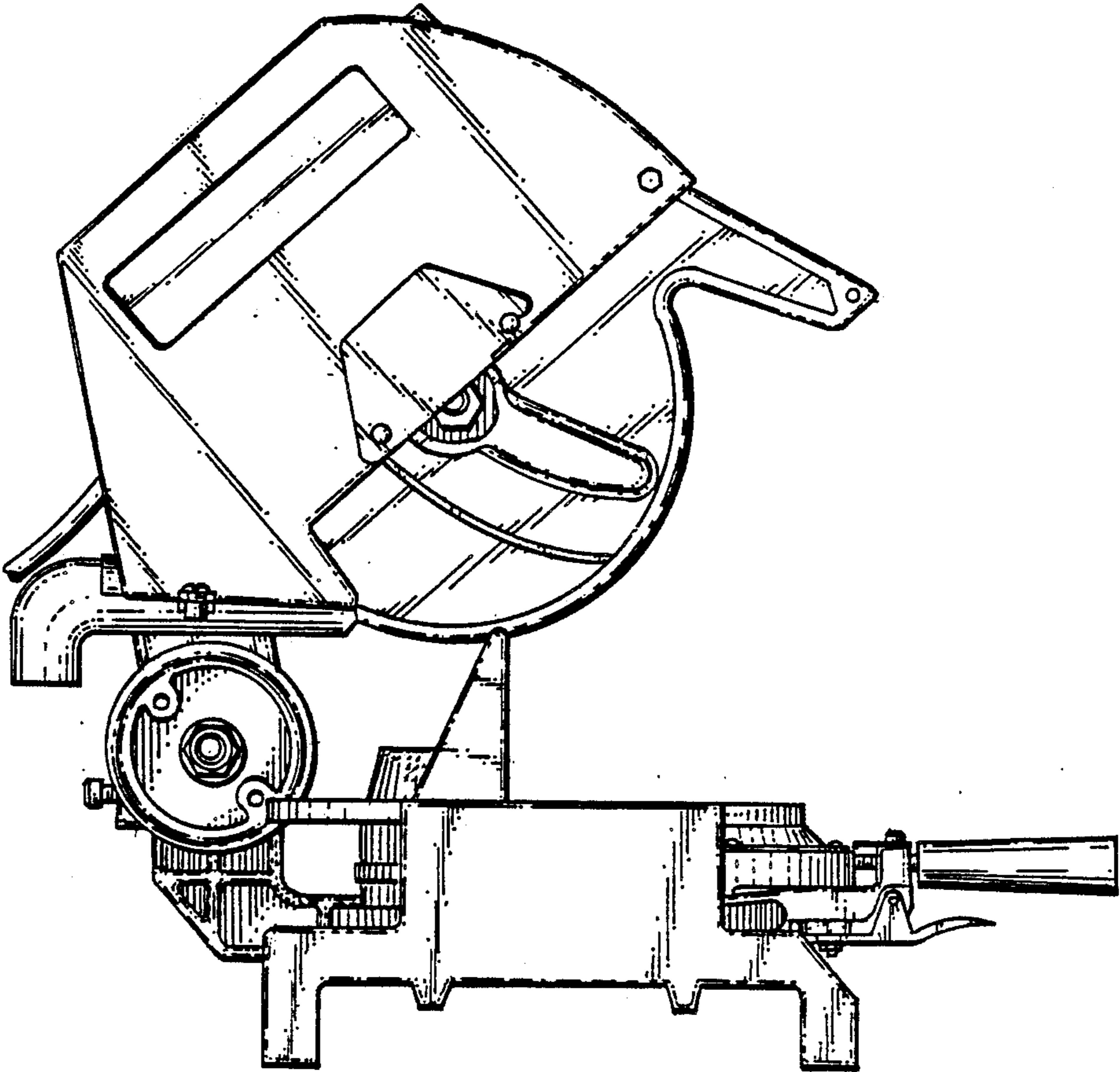


FIG. 6

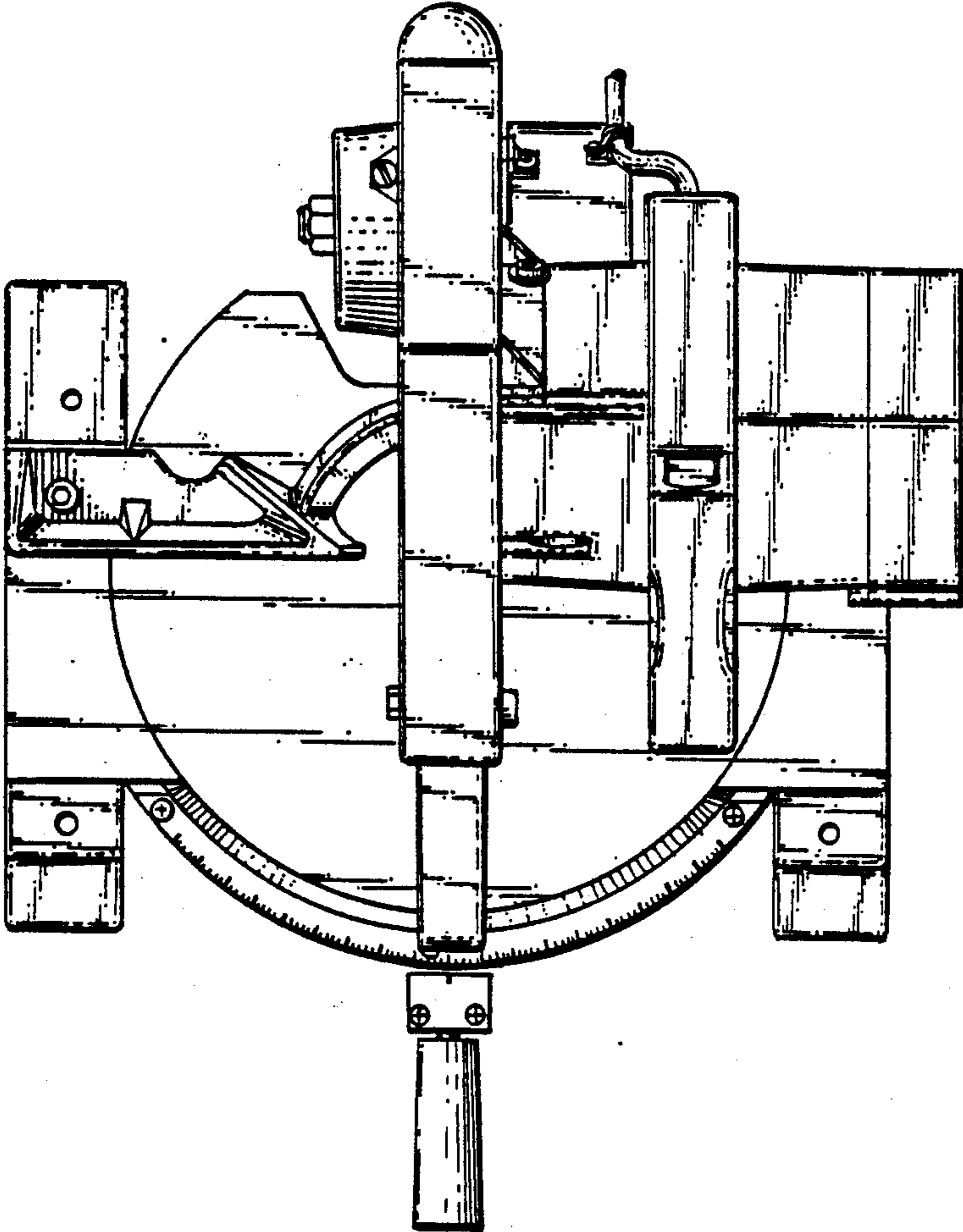


FIG. 7

