

United States Patent [19]

Minsky et al.

[11] Patent Number: Des. 295,820

[45] Date of Patent: ** May 24, 1988

- [54] ELECTRICALLY HEATED PITCHER FOR LIQUIDS
- [75] Inventors: Norman C. Minsky, West Bend, Wis.; William C. Cesaroni, Glenview, Ill.
- [73] Assignee: Dart Industries Inc., Deerfield, Ill.
- [**] Term: 14 Years
- [21] Appl. No.: 763,848
- [22] Filed: Aug. 7, 1985
- [52] U.S. Cl. D7/317; D9/318
- [58] Field of Search D7/300, 312, 316-322, D7/77, 51, 310

- D. 236,177 8/1975 Reyda D7/317
- 4,381,696 5/1983 Koral D7/317 X
- 4,583,653 4/1986 Minsky D7/317 X

Primary Examiner—Winifred F. Herrmann
Attorney, Agent, or Firm—Gregory J. Mancuso

[57] CLAIM

The ornamental design for an electrically heated pitcher for liquids, substantially as shown and described.

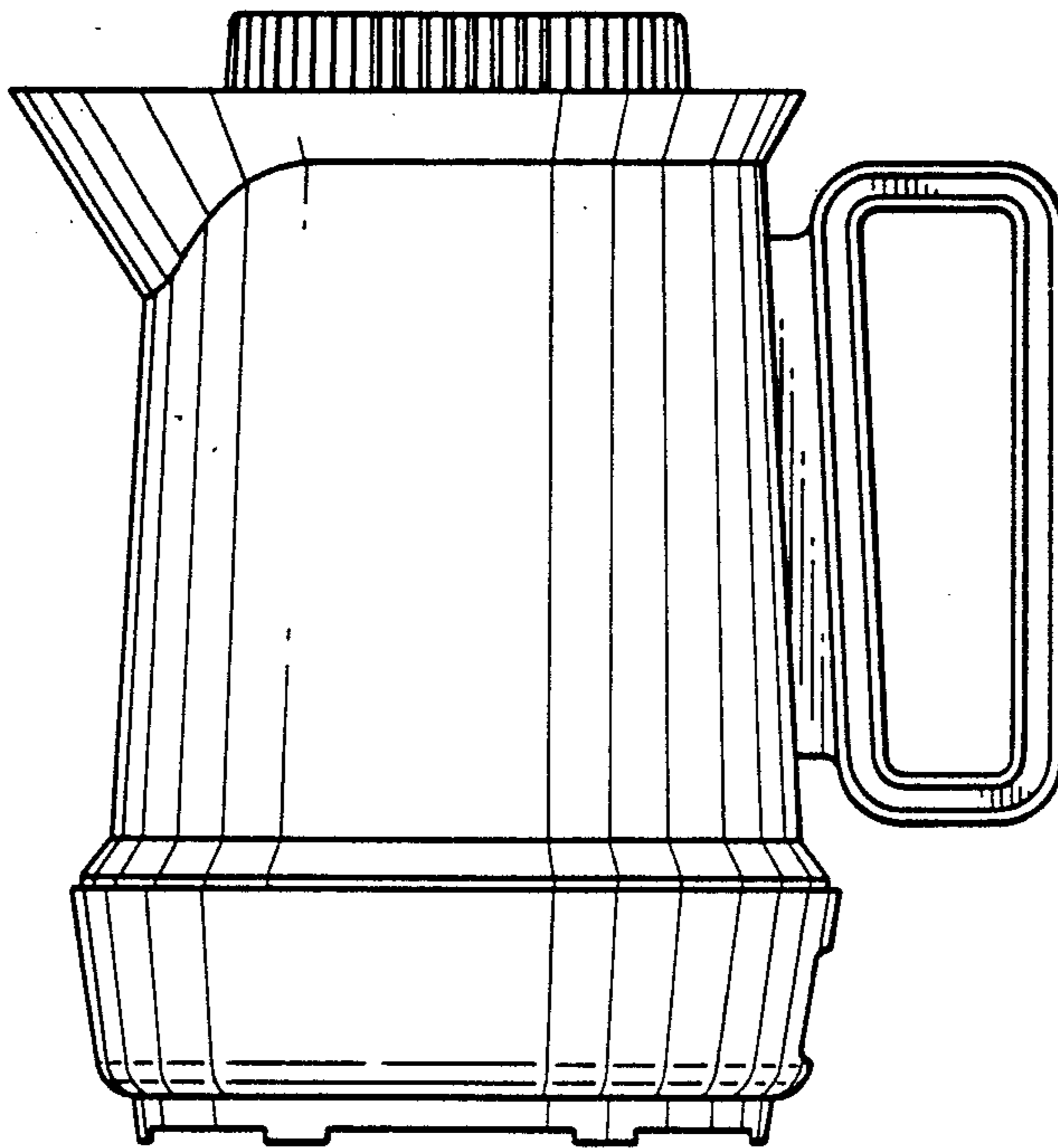
DESCRIPTION

FIG. 1 is a front perspective view of an electrically heated pitcher for liquids showing our new design; FIG. 2 is a right side elevational view thereof, the left side opposite the side shown is a mirror image; FIG. 3 is a front elevational view thereof; FIG. 4 is a rear elevational view thereof; FIG. 5 is a top plan view thereof; FIG. 6 is a bottom plan view thereof.

[56] References Cited

U.S. PATENT DOCUMENTS

- D. 176,041 11/1955 Schott D7/321
- D. 195,685 9/1963 Cornelius D7/77 X
- D. 200,116 1/1965 Olsen D7/77



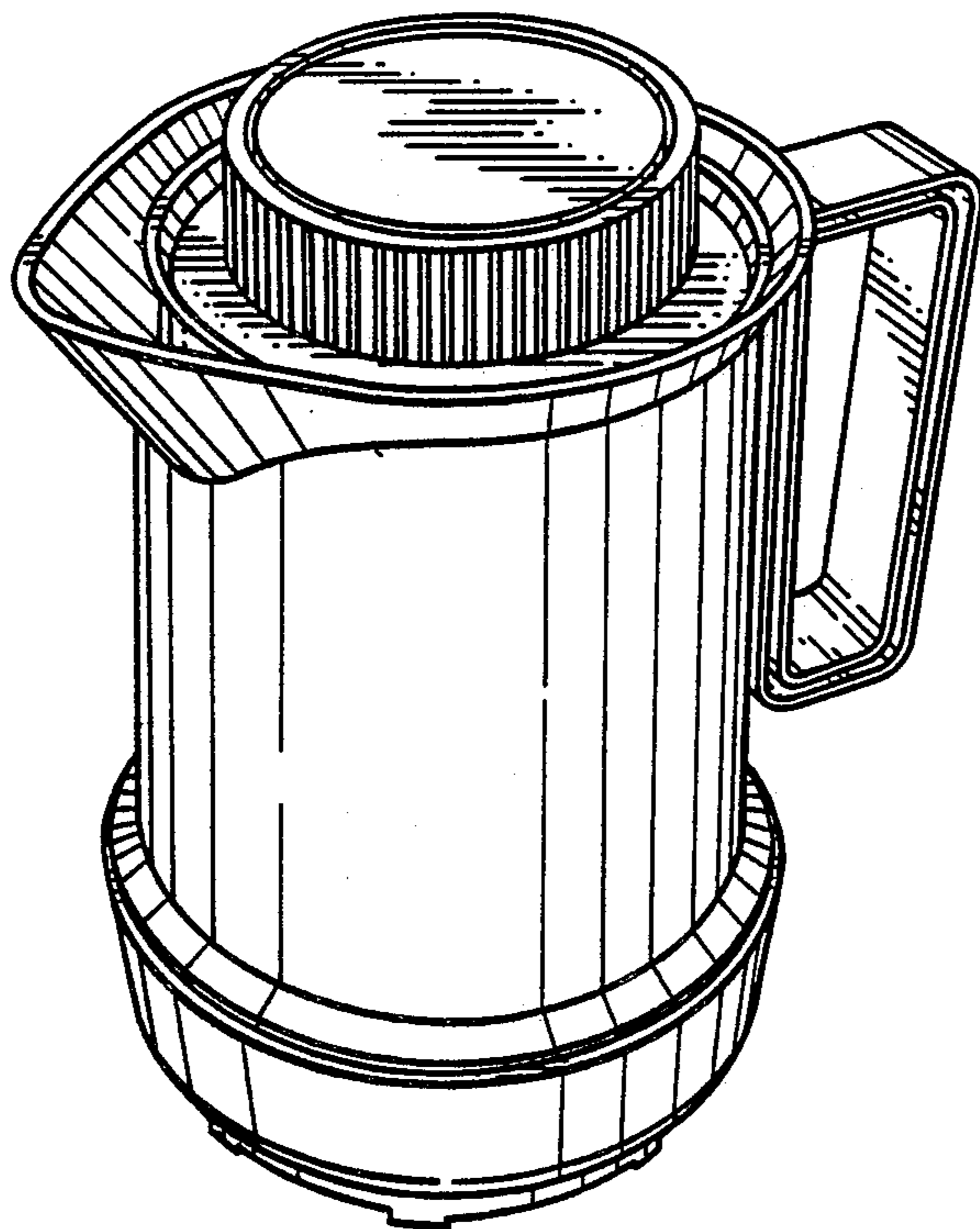


FIG. 1

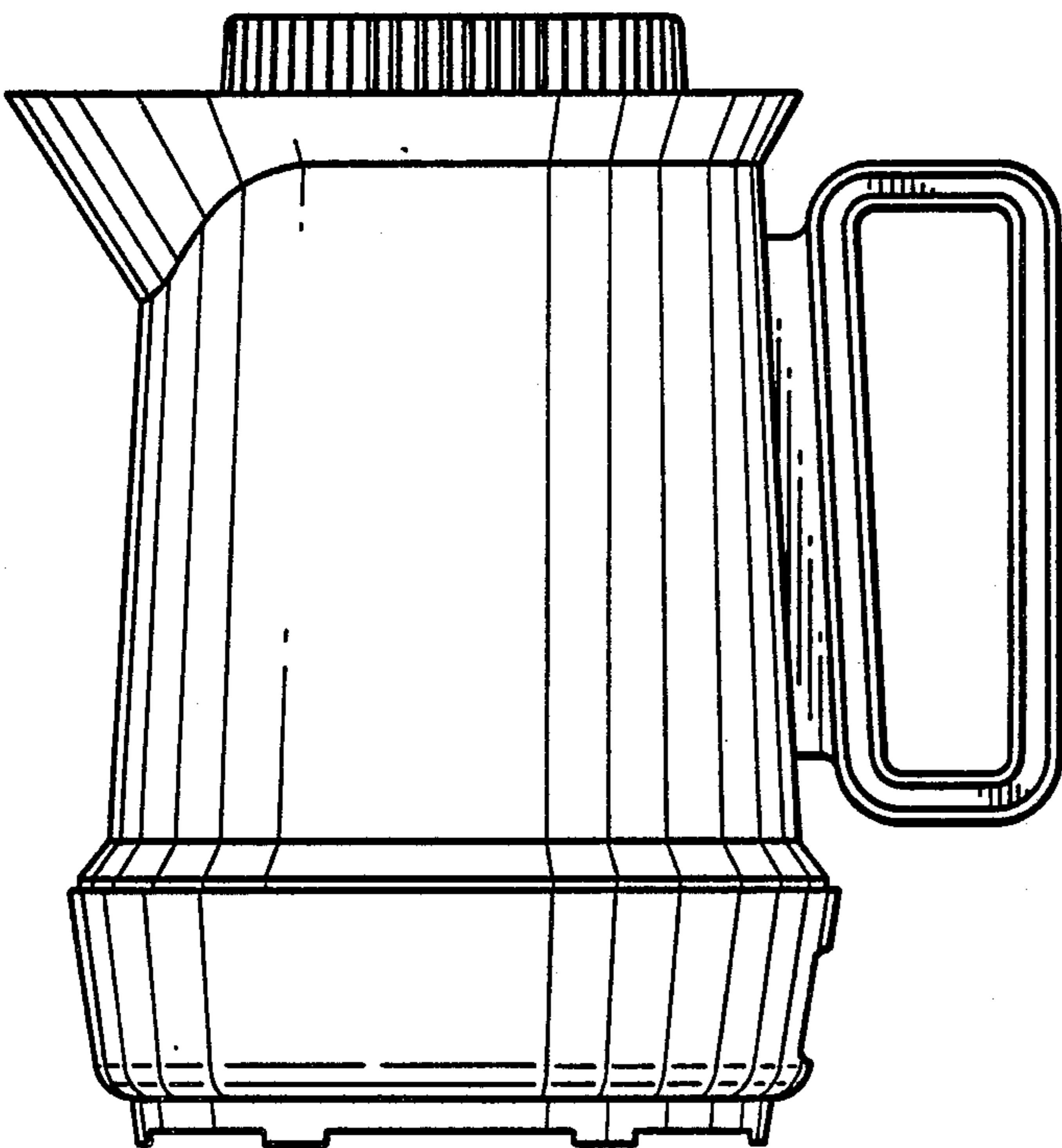


FIG. 2

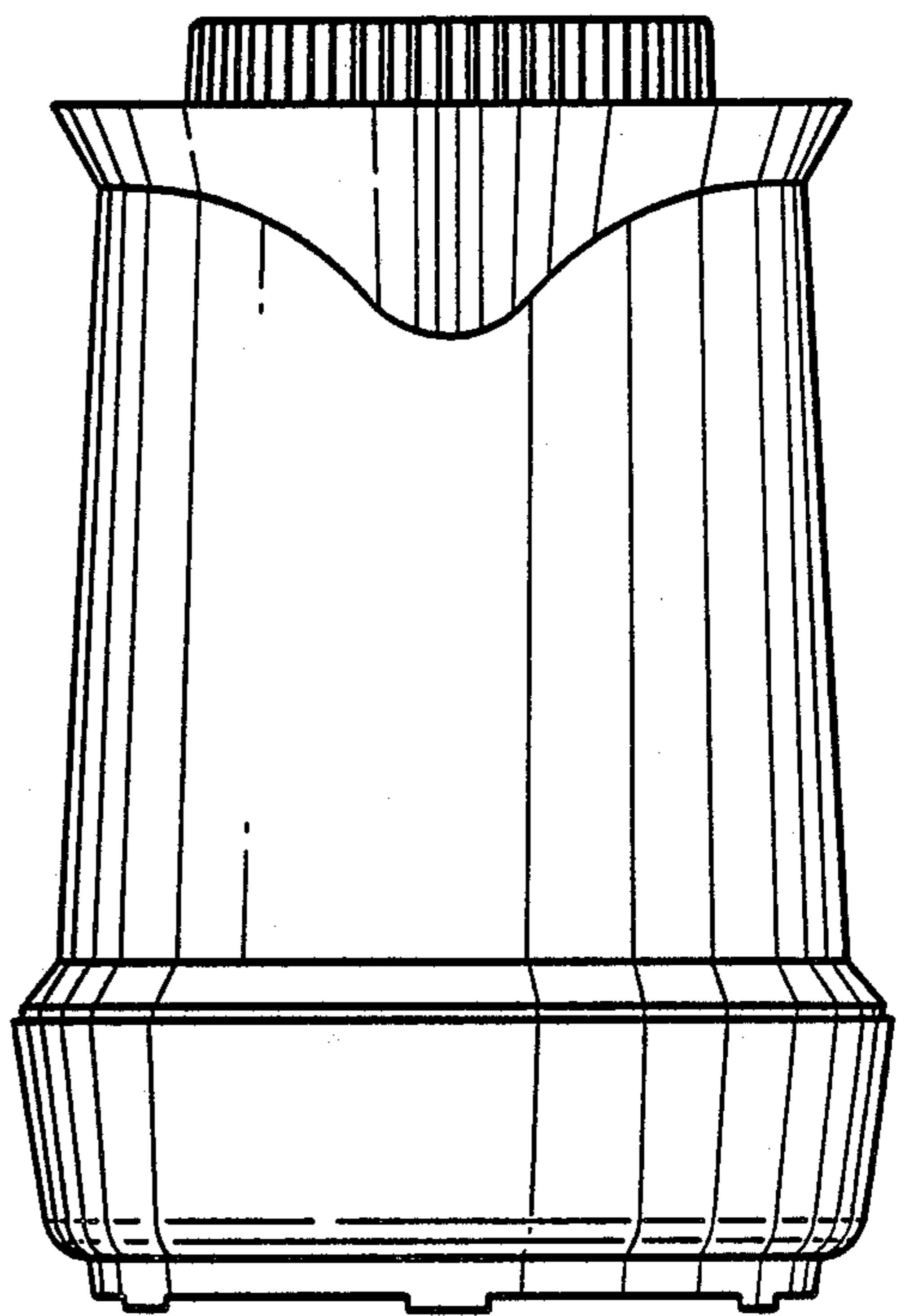


FIG. 3

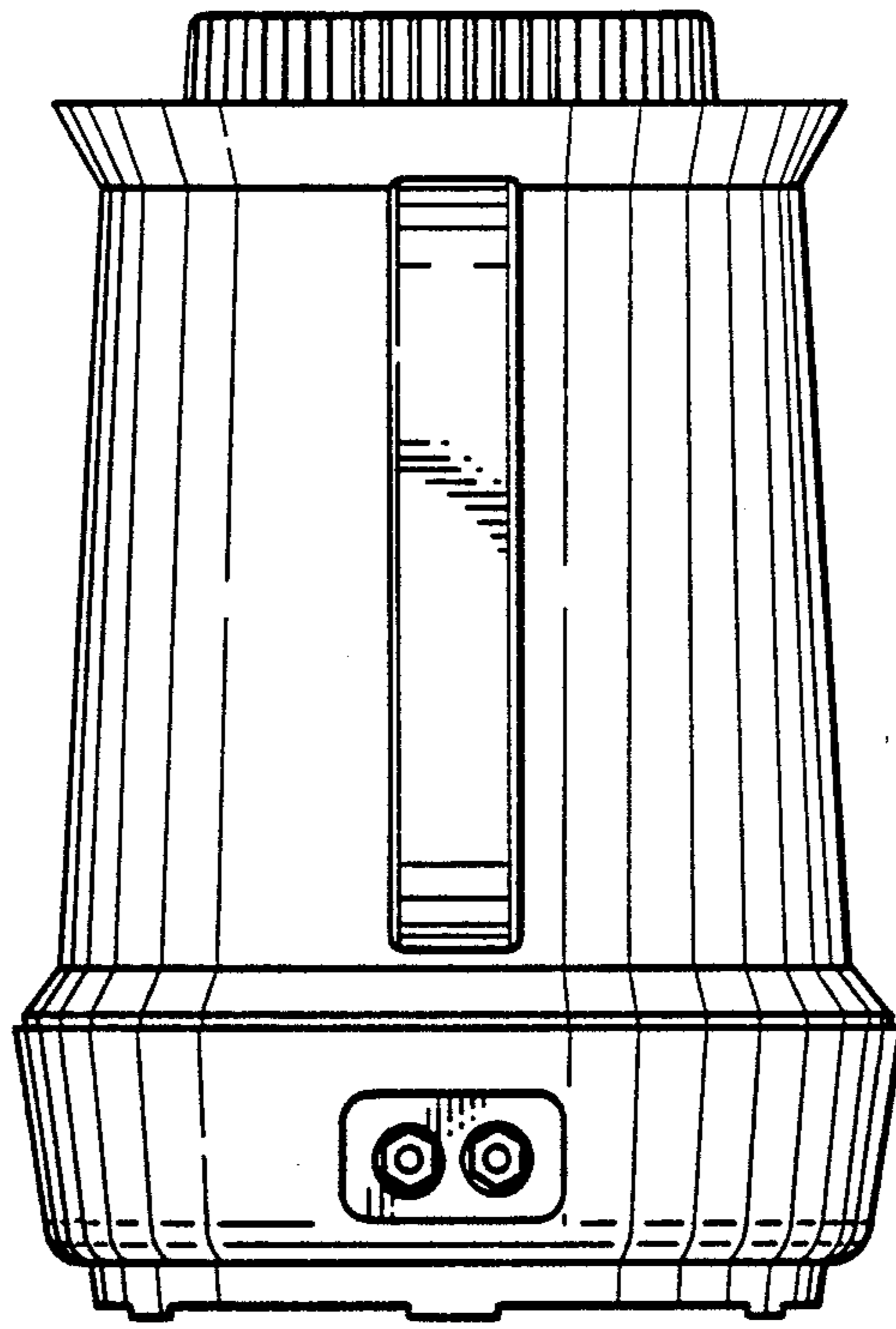


FIG. 4

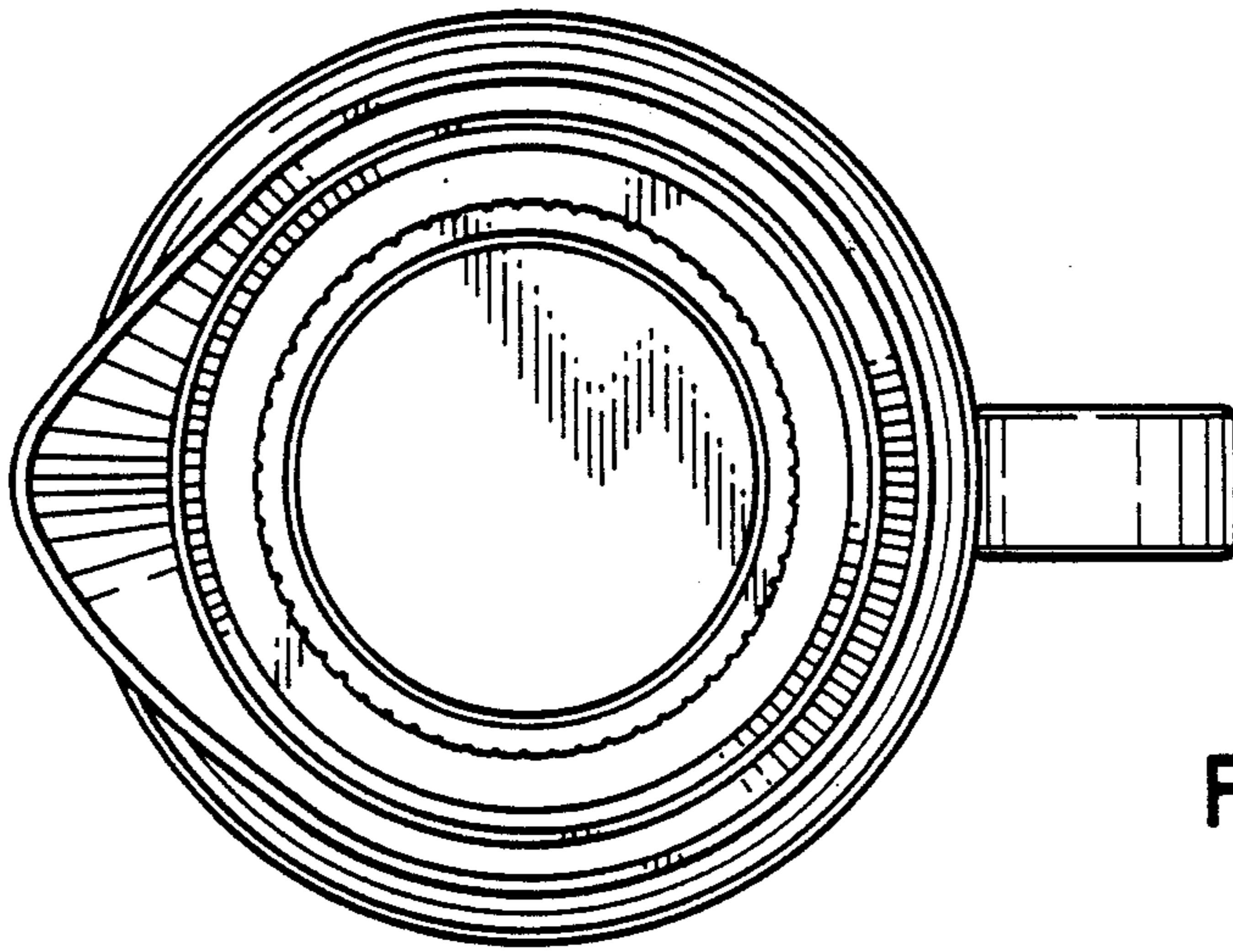


FIG. 5

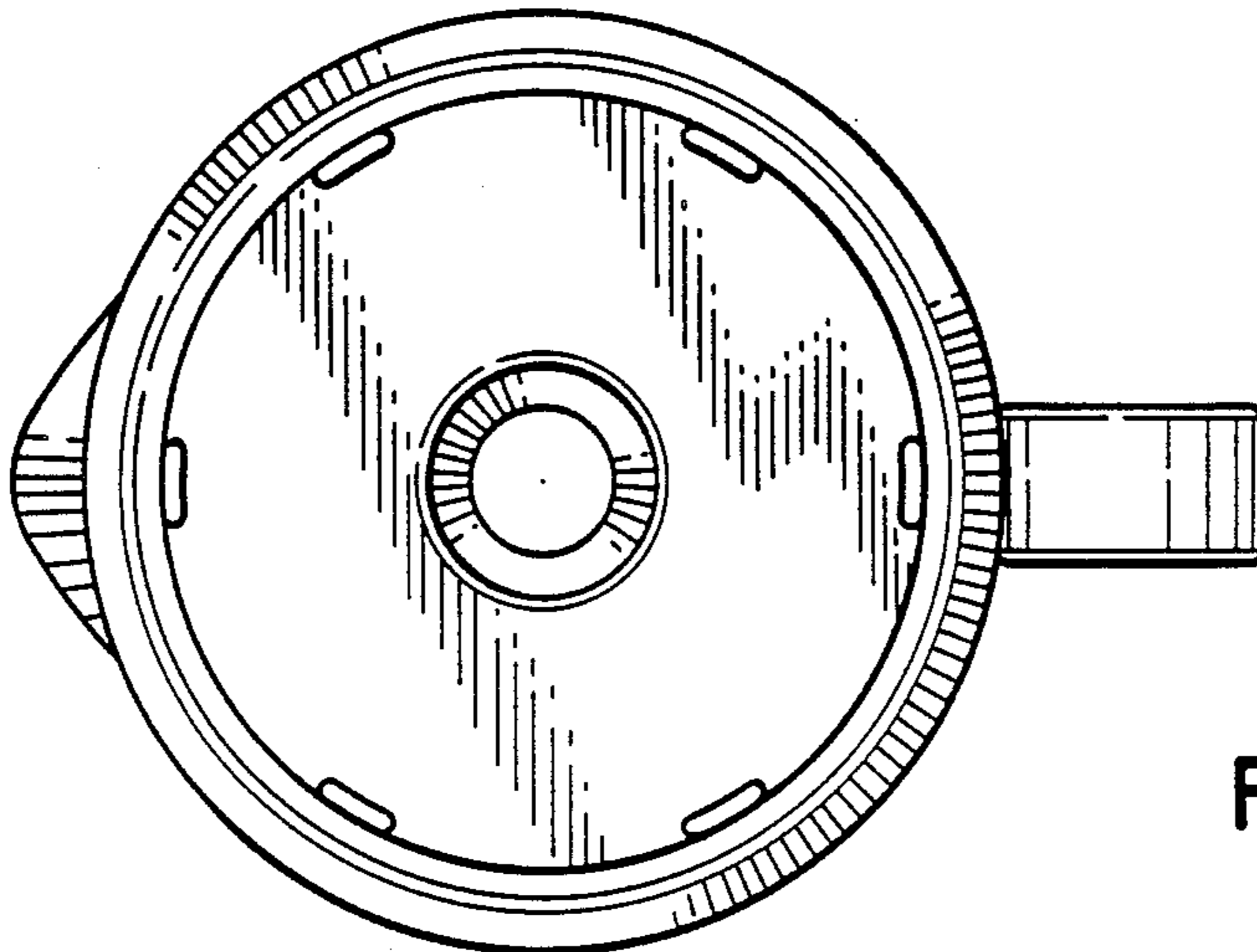


FIG. 6