

[54] COVERED DISH OR SIMILAR ARTICLE

[75] Inventor: Michael J. Mercadante, Boston, Mass.

[73] Assignee: Anchor Hocking Corporation, Lancaster, Ohio

[**] Term: 14 Years

[21] Appl. No.: 872,431

[22] Filed: Jun. 9, 1986

Related U.S. Application Data

[62] Division of Ser. No. 564,309, Dec. 22, 1983.

[52] U.S. Cl. D7/17; D7/360

[58] Field of Search D7/17, 23, 20, 21, 354, D7/360, 3, 391, 40, 392

[56] References Cited

U.S. PATENT DOCUMENTS

- D. 179,213 11/1956 Painter D7/360
- D. 185,063 5/1959 Clark, Jr. D7/318
- D. 212,704 11/1968 Benes D7/360
- D. 236,176 8/1975 Rothstein D7/21
- D. 270,030 8/1983 Catry D7/360
- 2,336,699 12/1943 Neth et al. D7/360 X
- 4,4782,349 10/1984 Haverland, Jr. et al. ... 219/10.55 E X

OTHER PUBLICATIONS

Anchor Hocking 67 Cat., p. 48, Fire-King Ovenware,

bottom row #L406, #L-407, #L-408, knob-covered casseroles.

Corning Pyrex® Ware 1973 Cat., p. 11, Clear ovenware, bottom left #622, 1 qt. knob/covered casserole.

W. Bell & Co., 1979 International Gift Collection, p. 176-Mikasa Stoneware, Serve and Bake, items C&D, left top panel, handled dishes.

Anchor Hocking, 68 catalog, p. 68, top row, Fire-King ovenware #L431, #L432, #L435, #L441.

Bloomington's Living Quarters, p. 17, Asta Porcelain Bakeware, handled dishes (a panel) at left.

Primary Examiner—Winifred E. Herrmann

Attorney, Agent, or Firm—Stoll, Wilkie, Previto & Hoffman

[57] CLAIM

The ornamental design for a covered dish or similar article, substantially as shown and described.

DESCRIPTION

FIG. 1 is a side elevational view of a covered dish or similar article showing my new design.

FIG. 2 is a perspective view thereof.

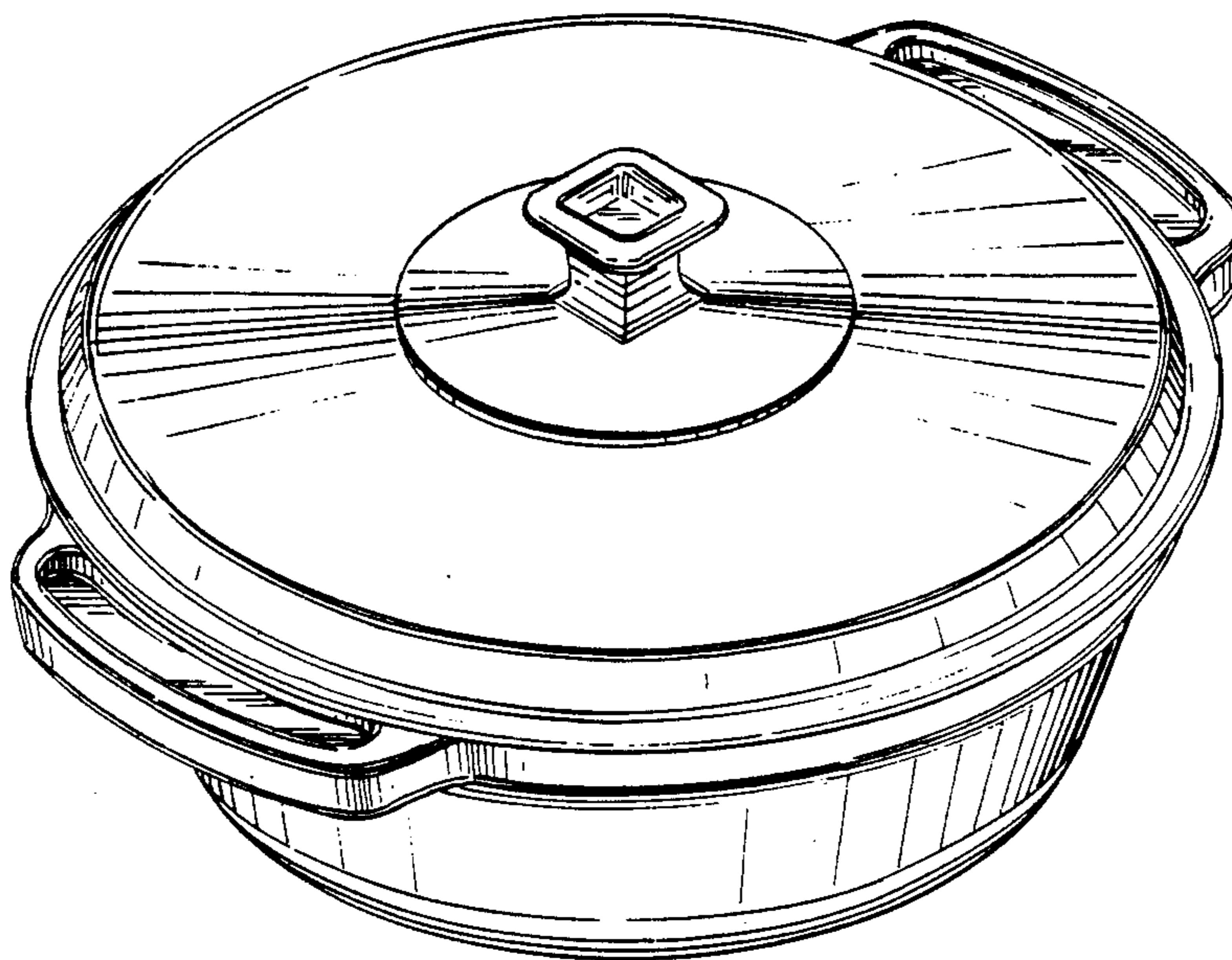
FIG. 3 is an exploded perspective view thereof.

FIG. 4 is a top plan view thereof.

FIG. 5 is an end view thereof.

FIG. 6 is a bottom view thereof.

FIG. 7 is a side elevational view thereof, partially in section and taken along line 7—7 of FIG. 4.



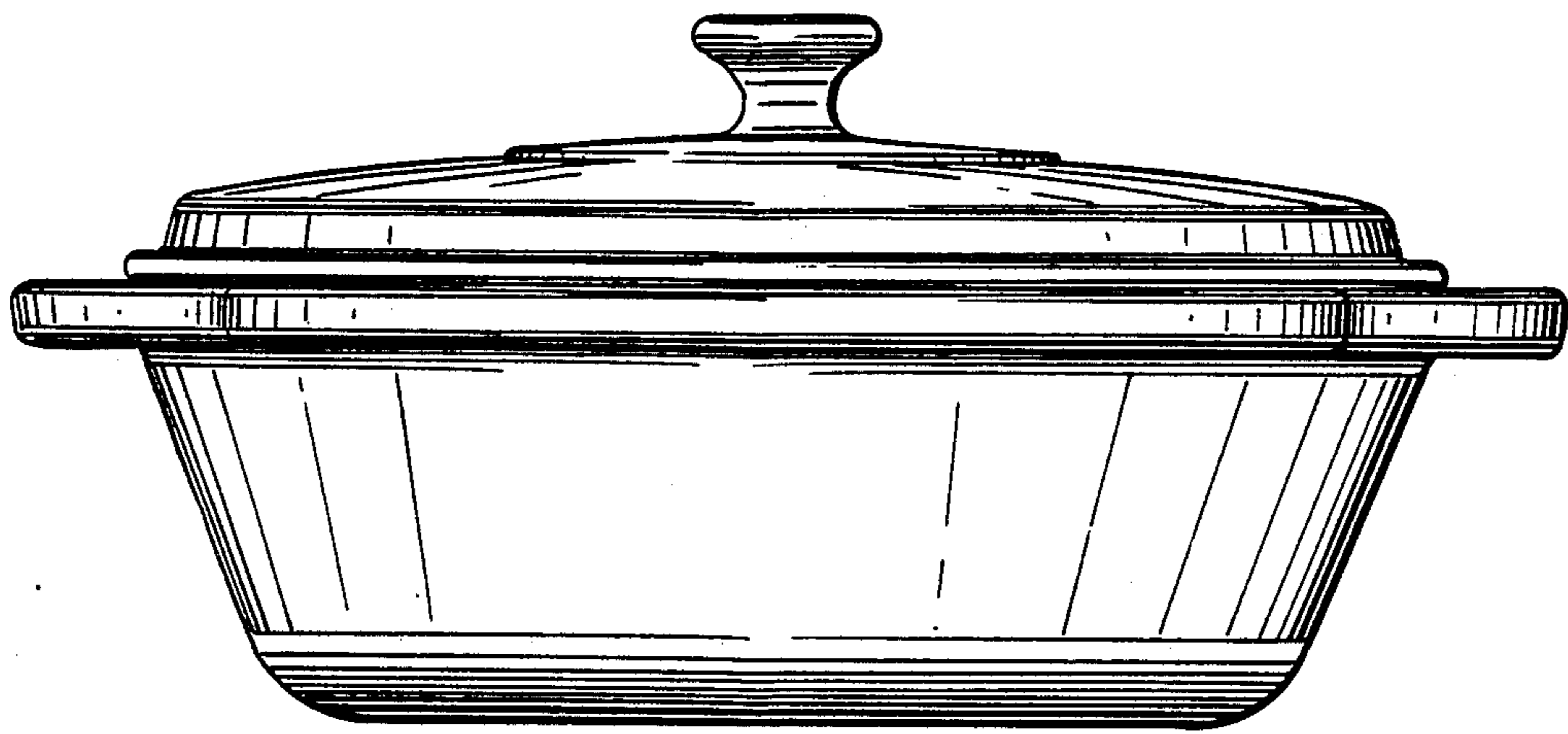


FIG. 1

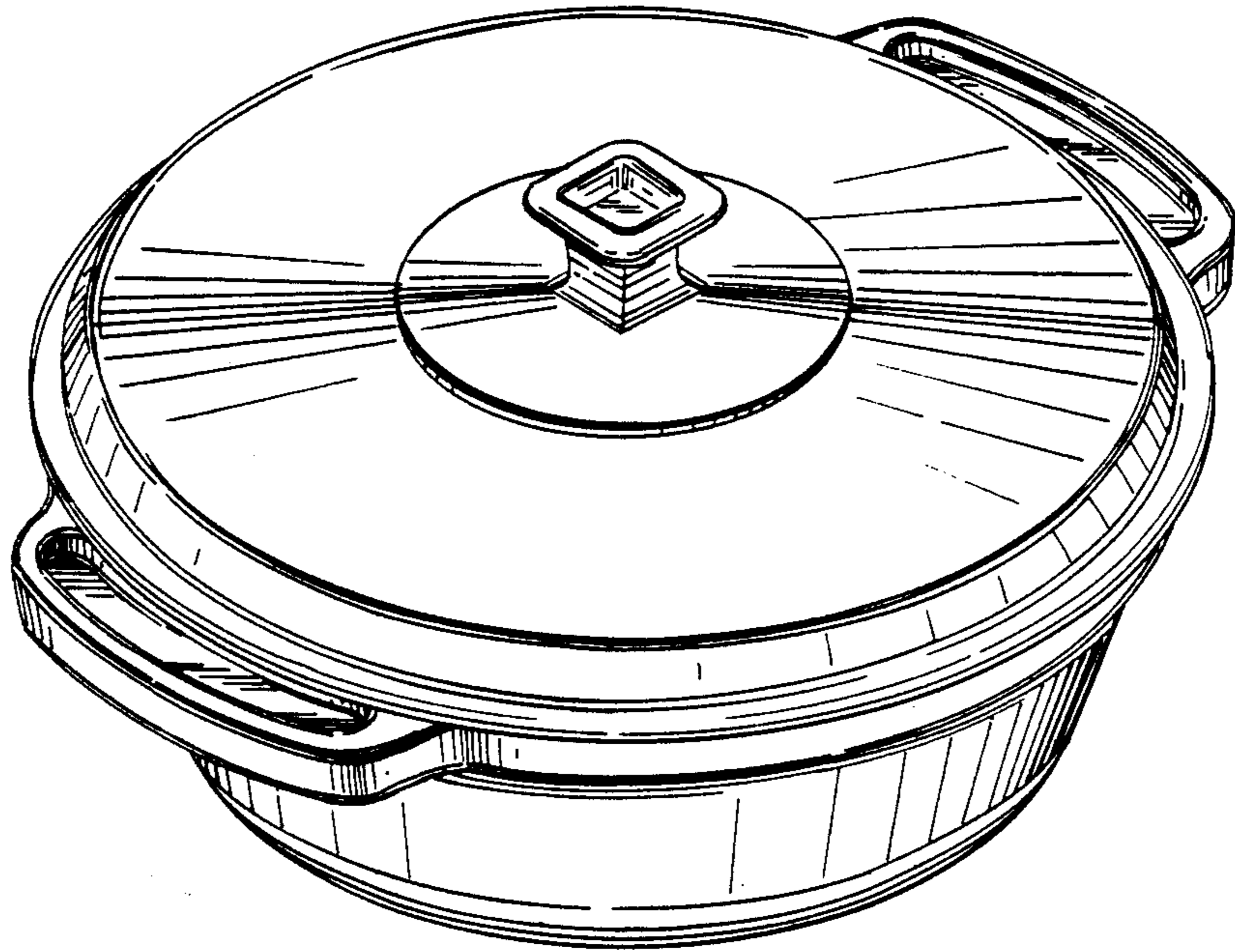


FIG.2

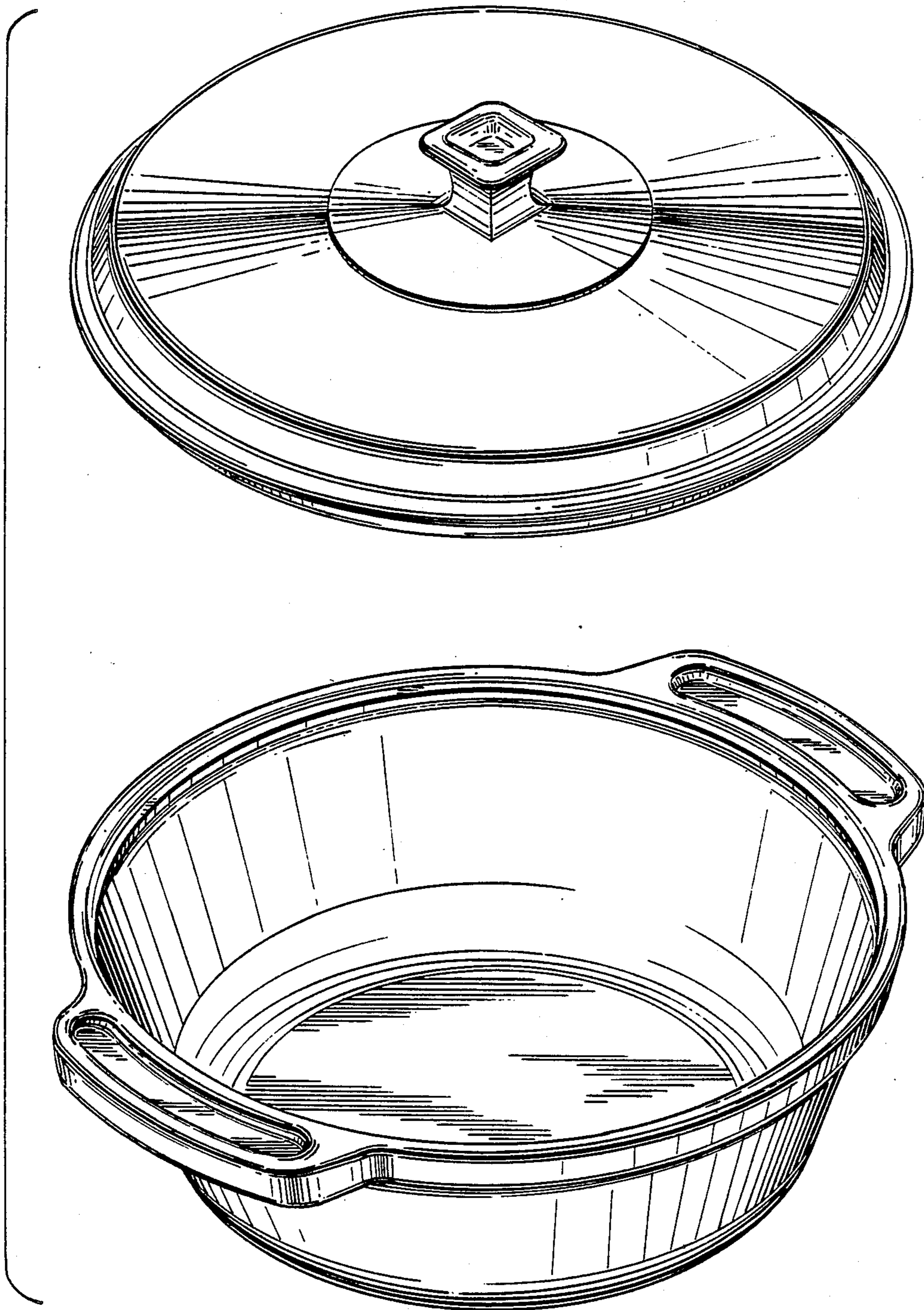


FIG. 3

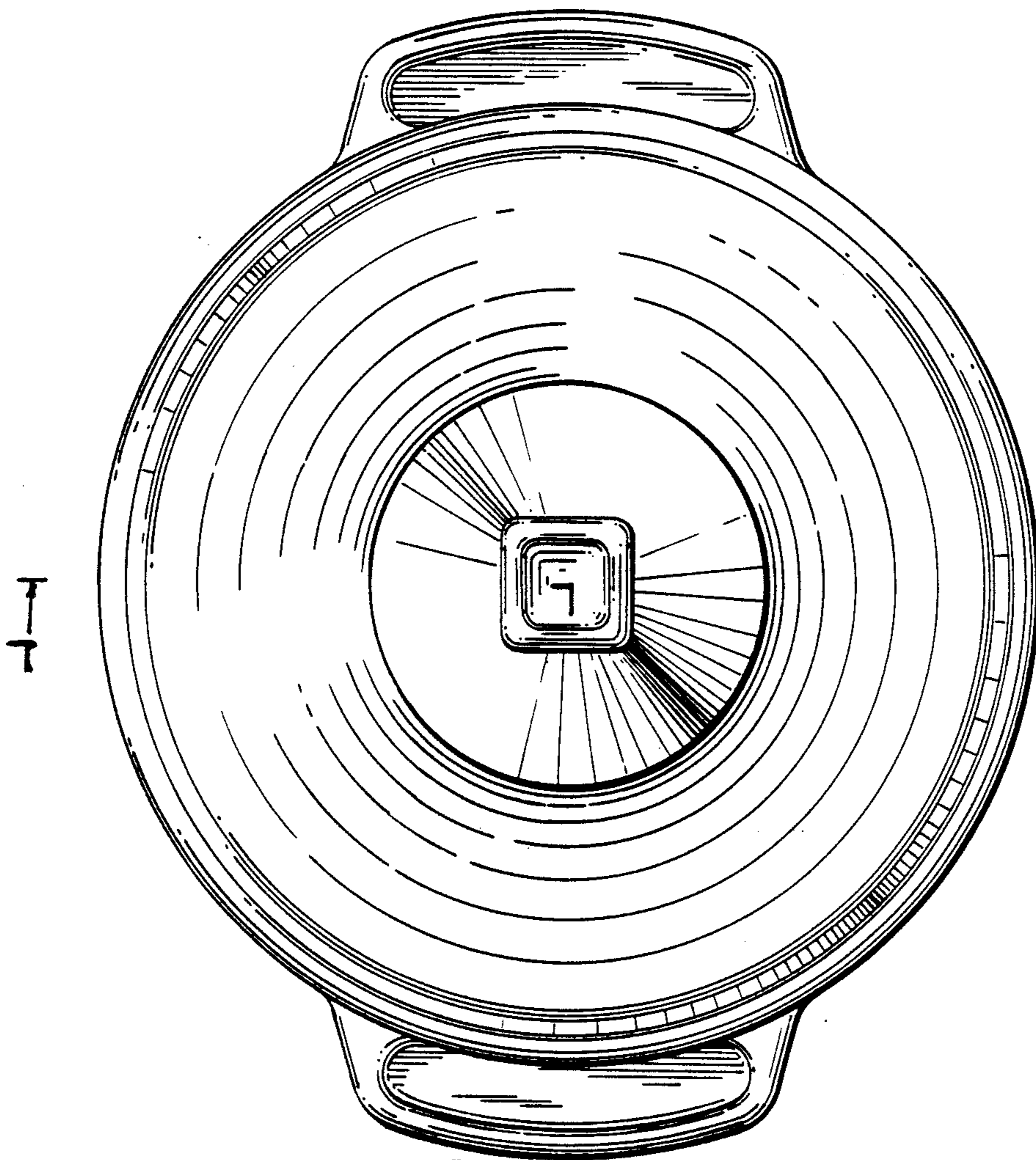


FIG. 4

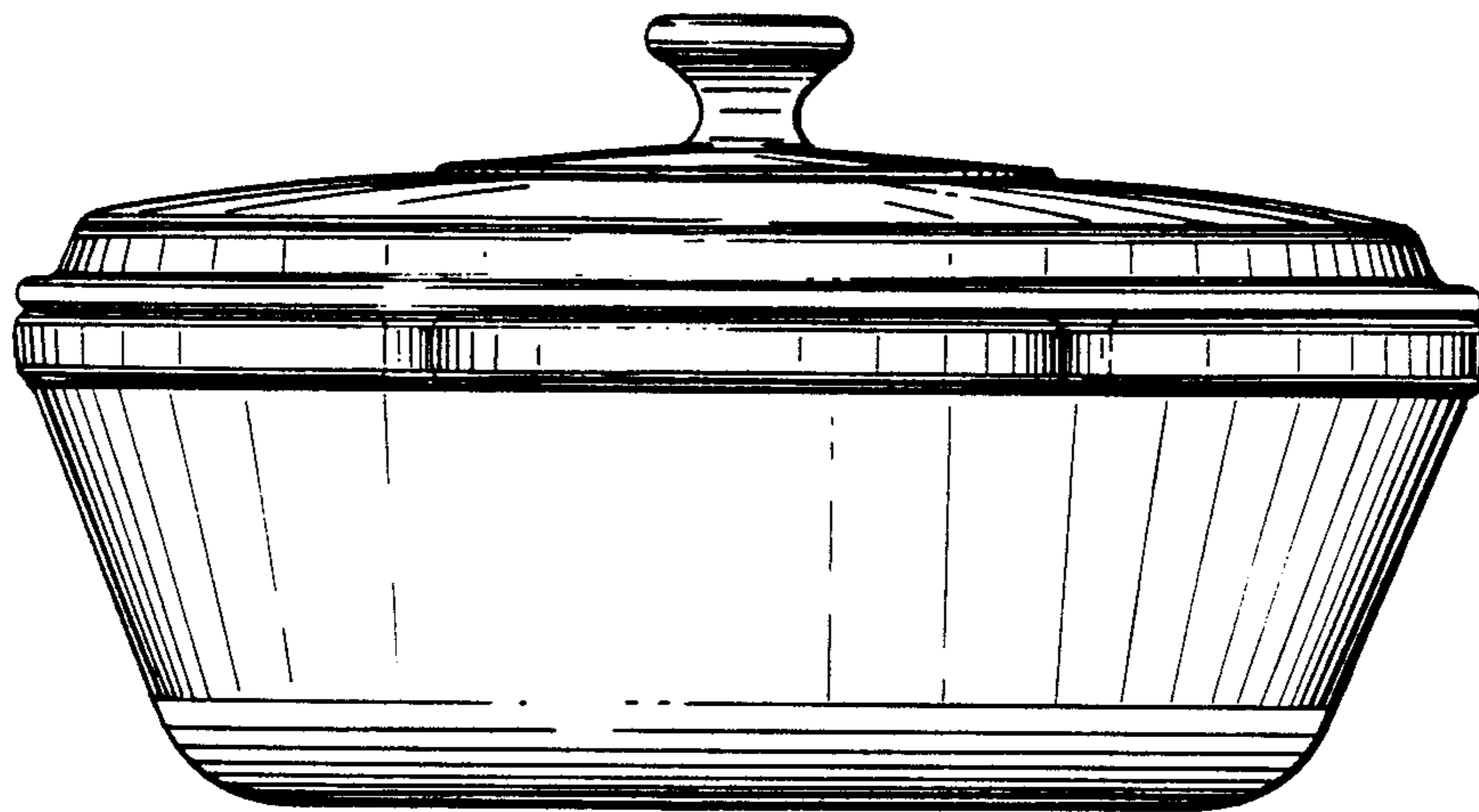


FIG. 5

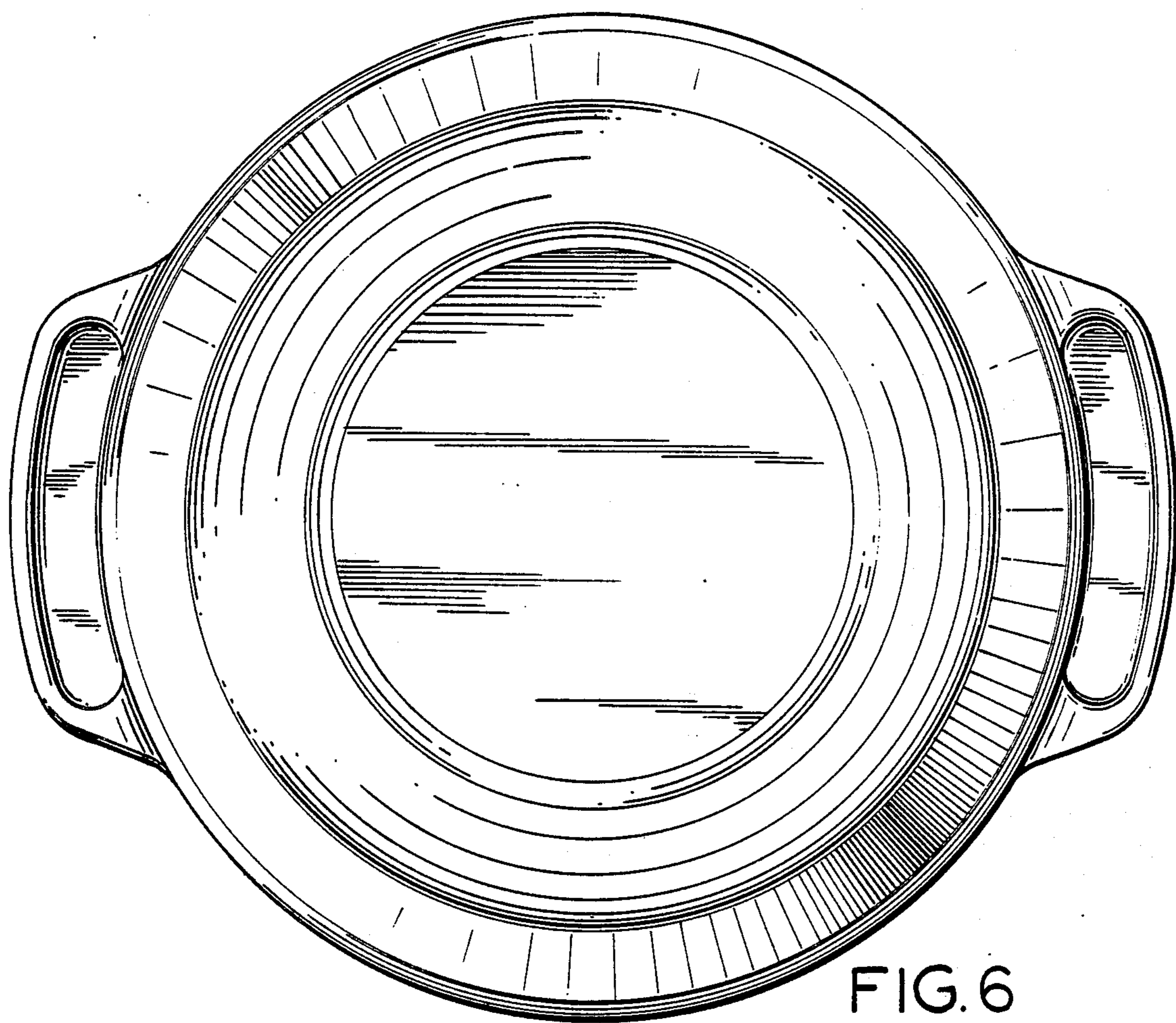


FIG. 6

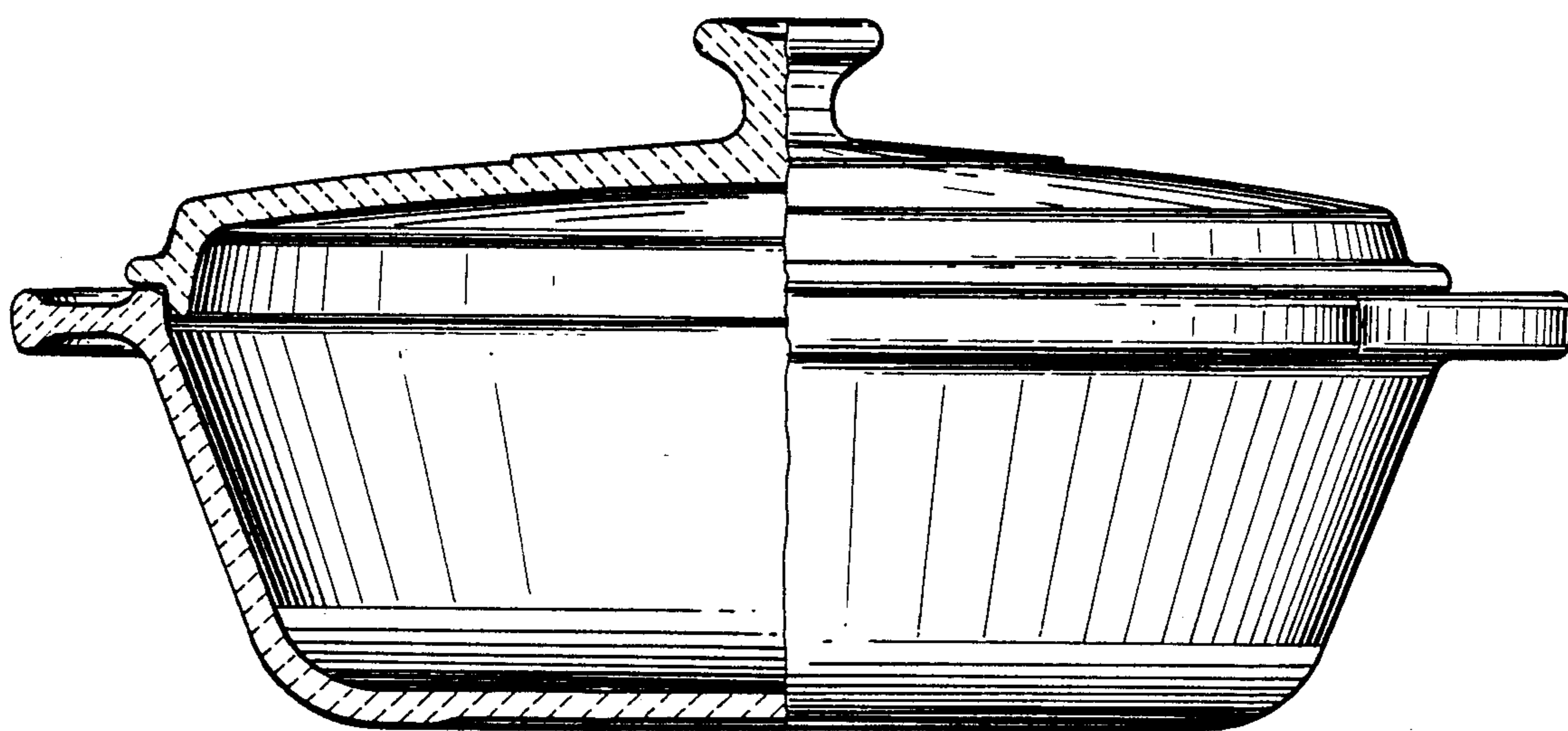


FIG. 7