

[54] COMBINATION BURNER UNIT WITH SIDE PANELS AND GRILL PLATE

[76] Inventor: Ming K. Chan, 1st Floor, 58 Hung To Road, Kowloon, Hong Kong

[\*\*] Term: 14 Years

[21] Appl. No.: 695,621

[22] Filed: Jan. 28, 1985

[30] Foreign Application Priority Data

Sep. 5, 1984 [GB] United Kingdom ..... 1 021 906

[52] U.S. Cl. .... D7/332

[58] Field of Search ..... D7/332, 334, 346, 347, D7/337-338; 126/25 R, 25 A, 25 AA, 25 B, 25 C, 29, 30, 9 R, 9 B, 38, 214 R, 41 R, 275 R

[56] References Cited

U.S. PATENT DOCUMENTS

- D. 227,850 7/1973 Benson ..... D7/337
- D. 231,183 4/1974 Avant et al. .... D7/337
- D. 251,893 5/1979 Chan ..... D7/337
- D. 251,894 5/1979 Chan ..... D7/337
- D. 276,303 11/1984 Chan ..... D7/337
- 1,735,151 8/1926 Blaskewitz et al. .... D7/337
- 2,433,785 12/1947 Reeves ..... 126/214 R

- 2,515,521 7/1950 Loffredo ..... 126/304 A
- 2,852,016 9/1958 Weatherwax ..... 126/9 R
- 3,294,079 12/1966 Thompson ..... 126/38
- 3,809,053 5/1974 Navarro ..... 126/25 R
- 4,426,990 1/1984 Shepherd ..... 126/9 B

Primary Examiner—Wallace R. Burke  
Assistant Examiner—Ruth Takemoto  
Attorney, Agent, or Firm—Fay, Sharpe, Beall, Fagan, Minnich & McKee

[57] CLAIM

The ornamental design for a combination burner unit with side panels and grill plate, substantially as shown and described.

DESCRIPTION

FIG. 1 is a left, front and top perspective view of a combination burner unit with side panels and grill plate showing my new design with the stove being in an open position;

FIG. 2 is a right, rear and bottom perspective view thereof;

FIG. 3 is a left, front and top perspective view thereof showing the grill plate in an alternate position; and The lid, legs, and gas hose in FIGS. 1-3 are shown in broken lines for illustrative purposes only and form no part of the claimed design.

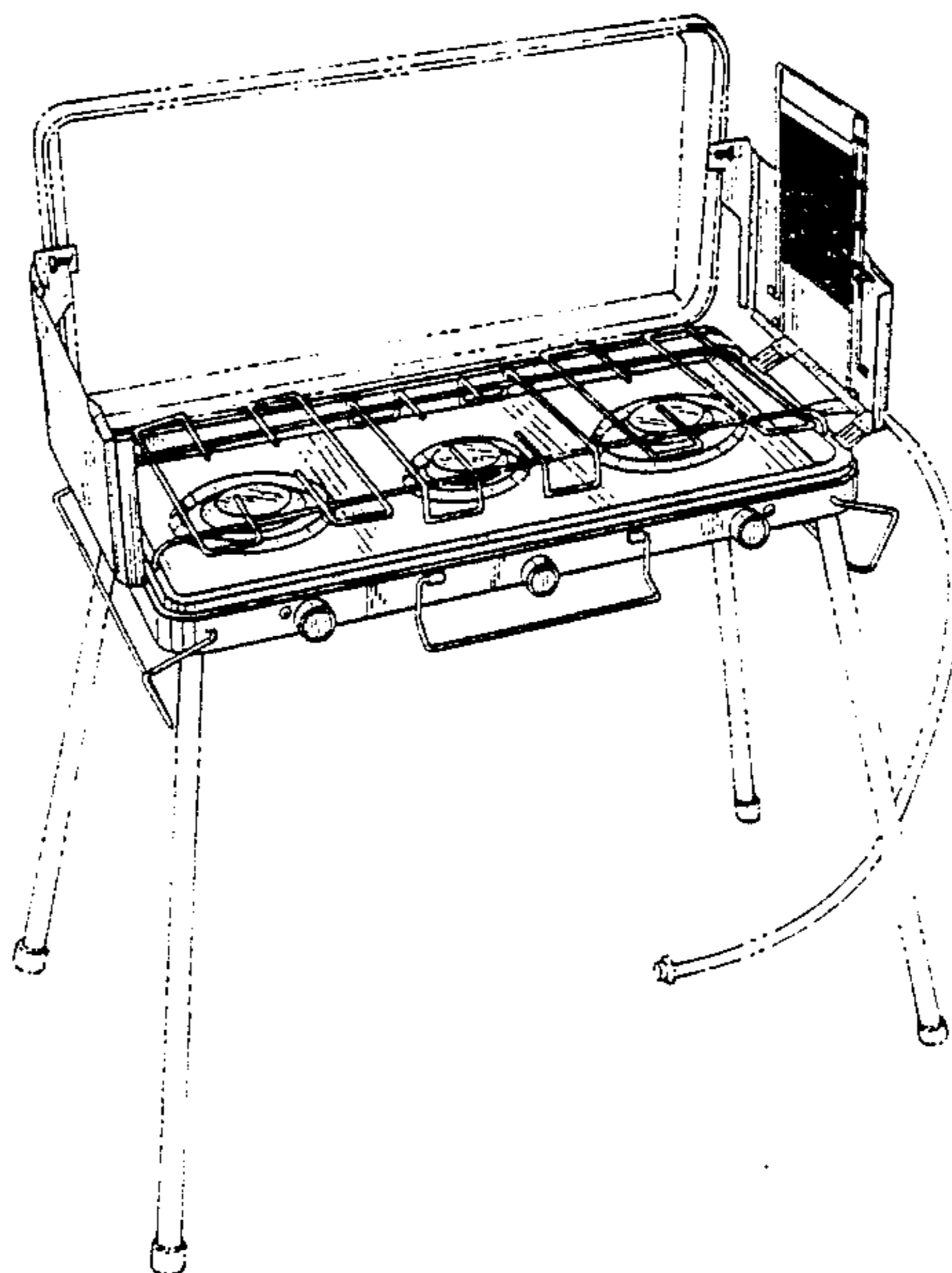


FIG. 1

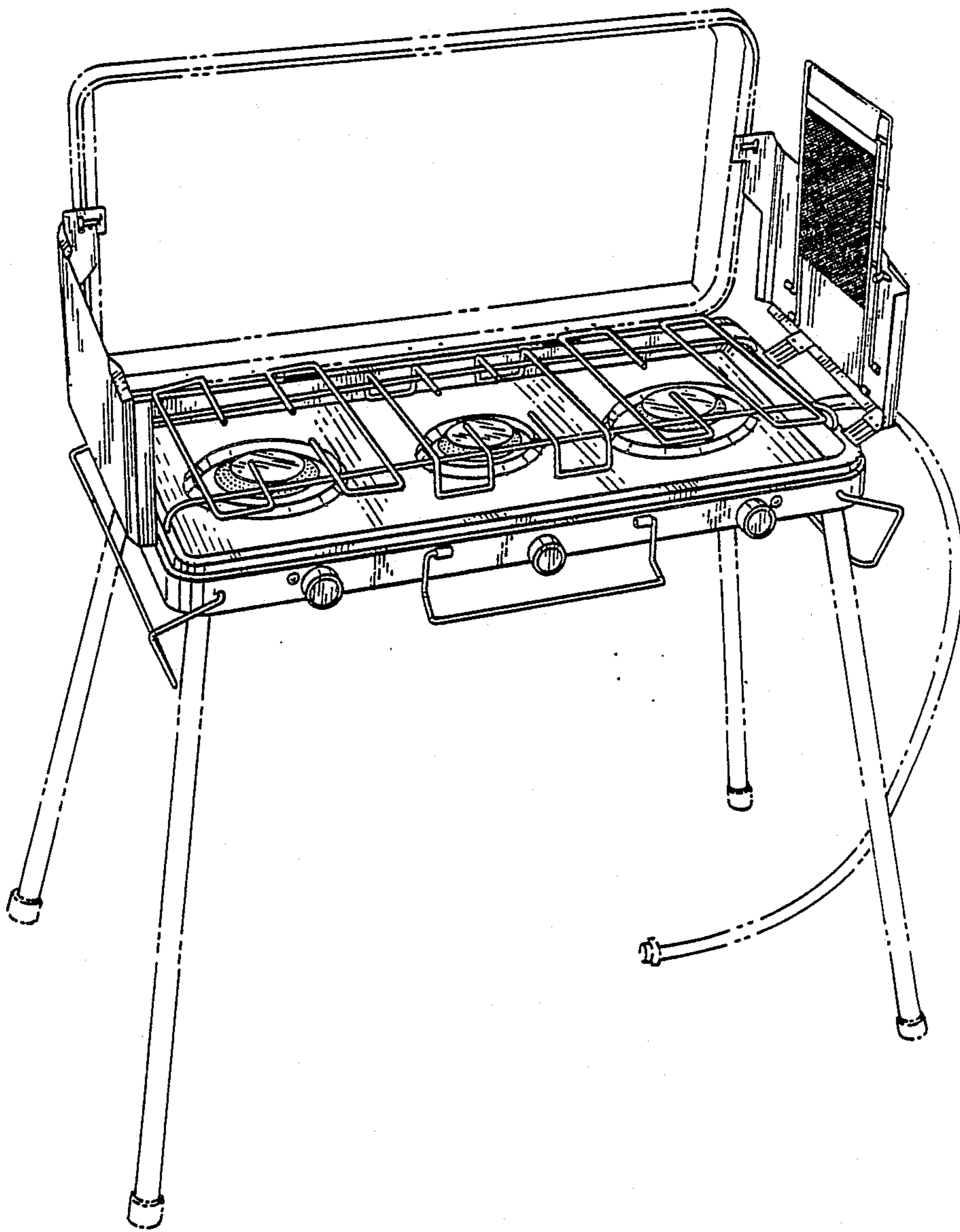
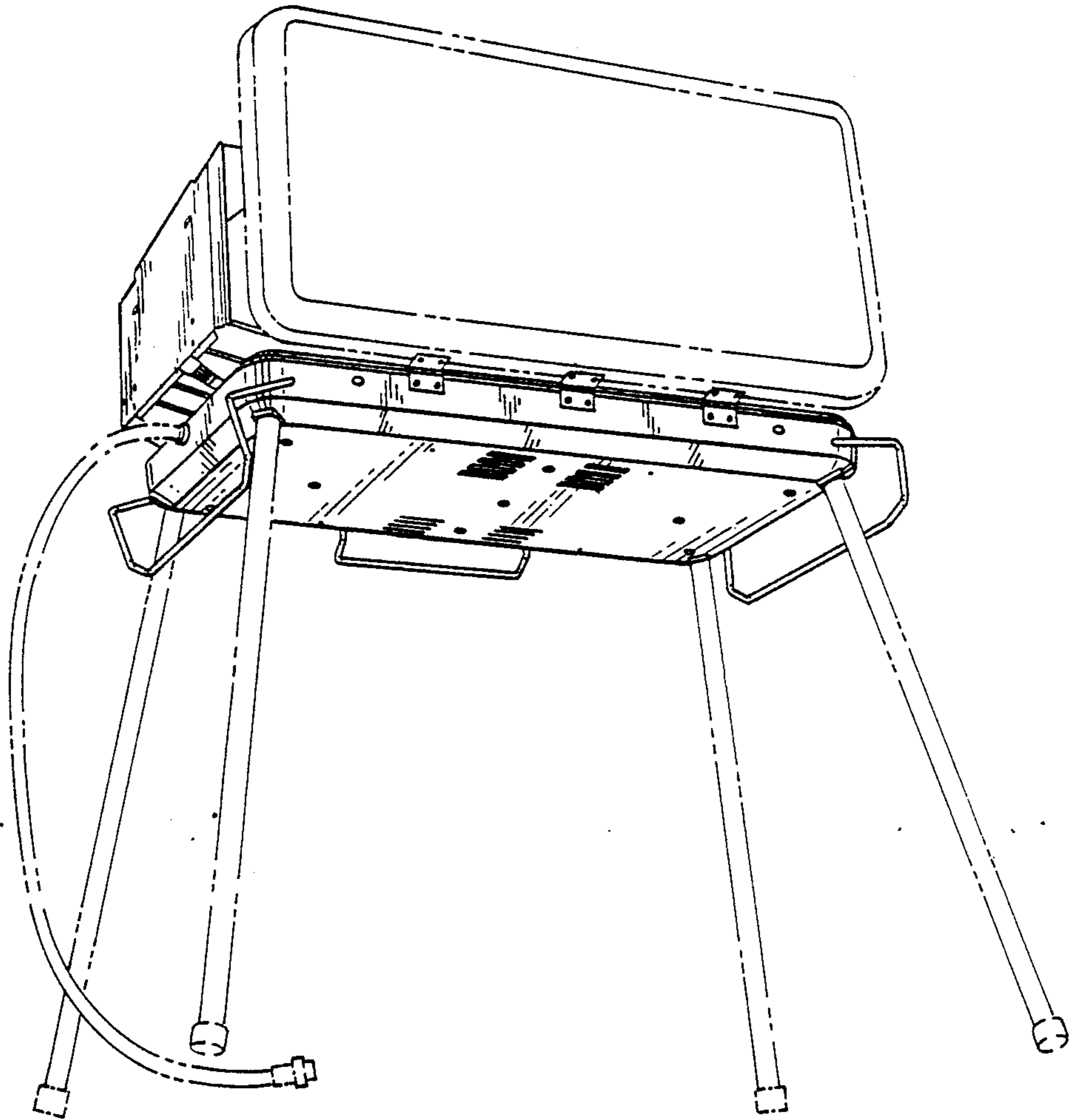


FIG. 2



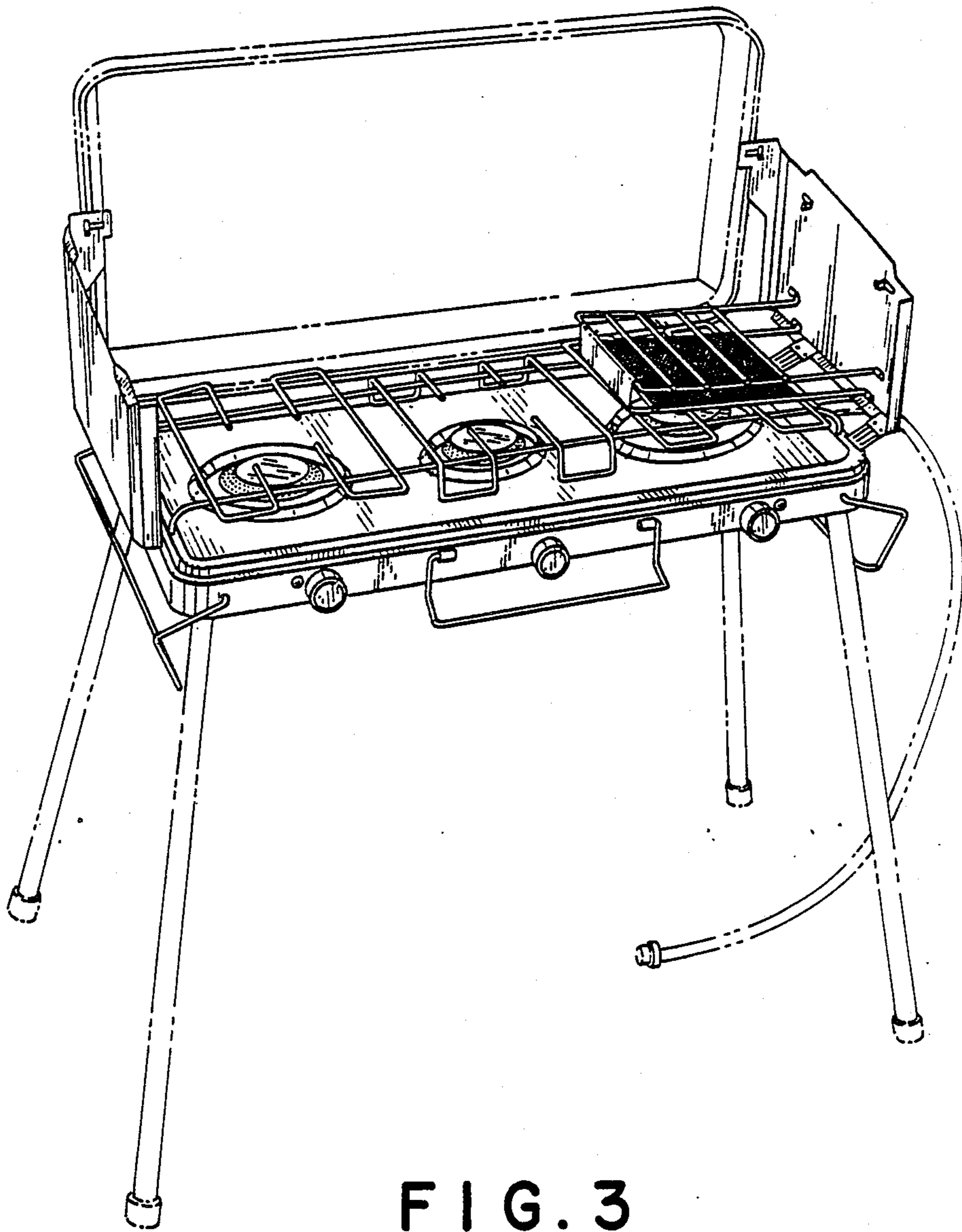


FIG. 3