

[54] ADJUSTABLE TABLE

[75] Inventor: Lester Beall, Jr., Denver, N.C.  
[73] Assignee: CM Furniture Co., Maiden, N.C.  
[\*\*] Term: 14 Years  
[21] Appl. No.: 779,576

[22] Filed: Sep. 24, 1985  
[52] U.S. Cl. .... D6/430; D6/478;  
D6/484  
[58] Field of Search ..... D6/429, 430, 477, 478,  
D6/480, 484, 487; 108/59, 64, 65, 66, 83

[56] References Cited

U.S. PATENT DOCUMENTS

D. 254,825	4/1980	Crespi .....	D6/474
D. 274,577	7/1984	Berry, Jr. ....	D6/474
D. 284,339	6/1986	Berry, Jr. ....	D6/484 X
D. 284,340	6/1986	Berry, Jr. ....	D6/484 X
D. 284,431	7/1986	Berry, Jr. ....	D6/484 X
D. 285,267	8/1986	Berry, Jr. ....	D6/430
D. 288,637	3/1987	Winzeler, III .....	D6/487 X

OTHER PUBLICATIONS

Design Institute of America, ©1983, table sect. Table No. 303-B, Pivot Top Table.

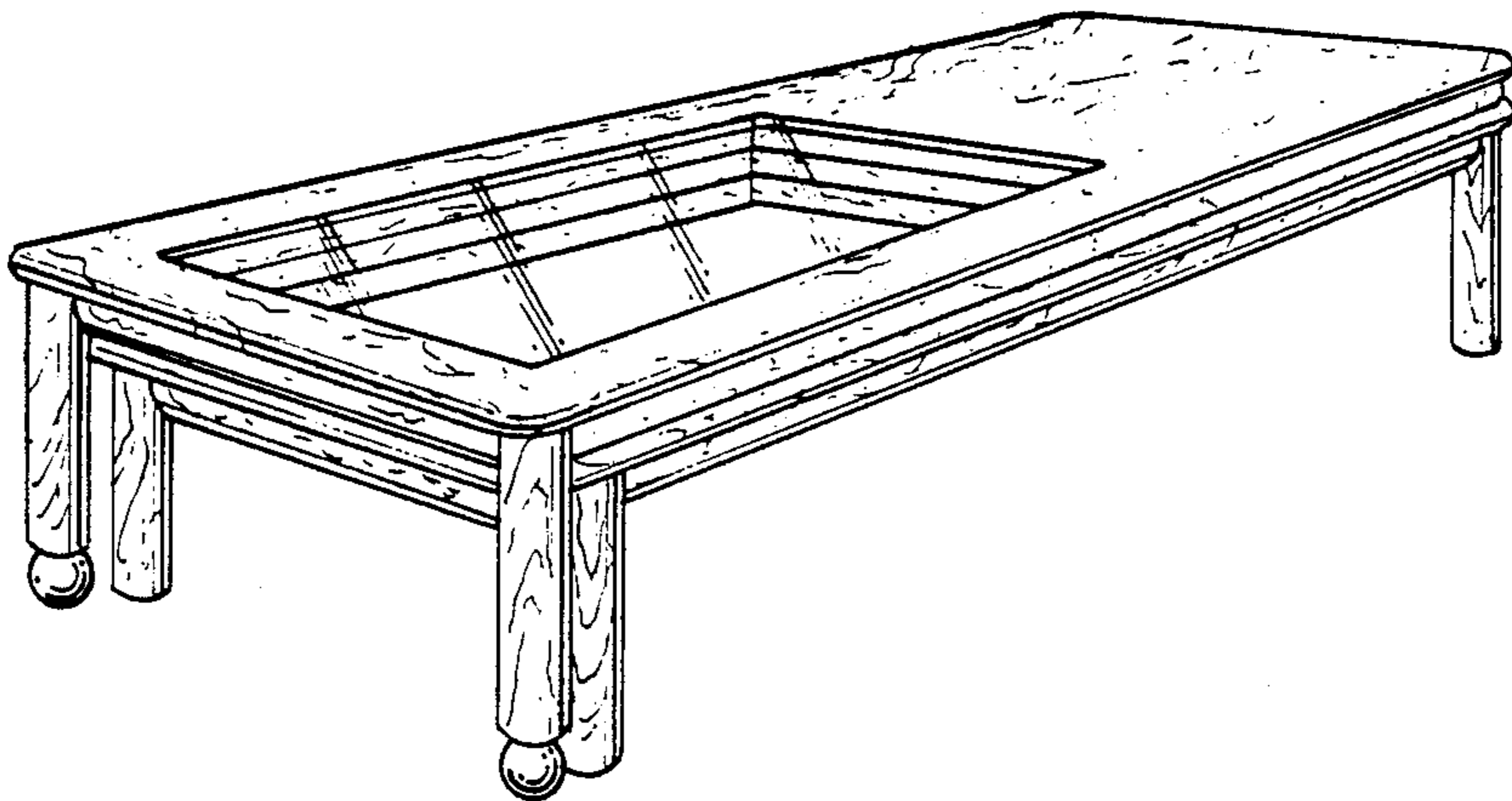
Primary Examiner—Bruce W. Dunkins  
Attorney, Agent, or Firm—Lane & Aitken

[57] CLAIM

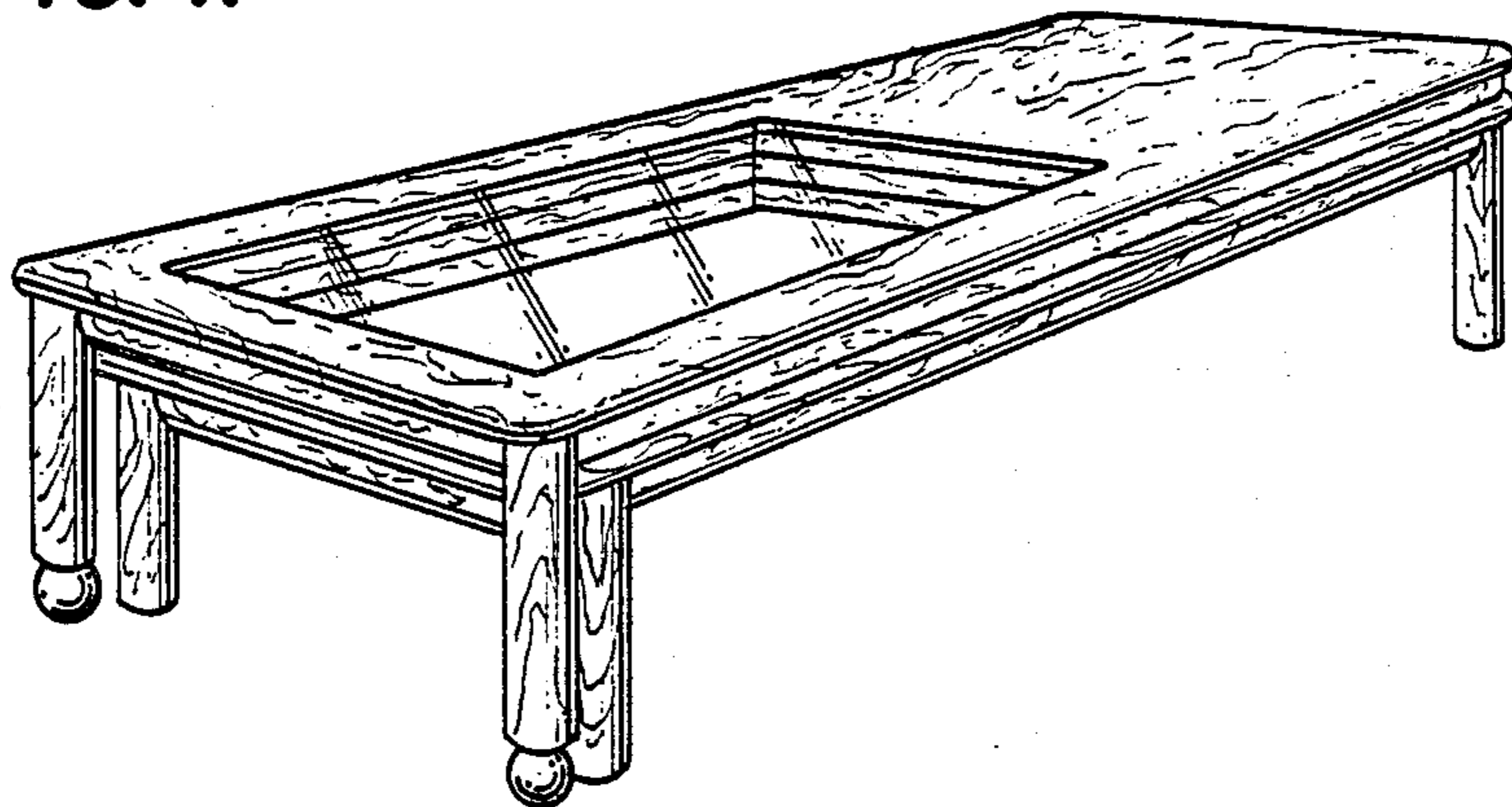
The ornamental design for an adjustable table, as shown and described.

DESCRIPTION

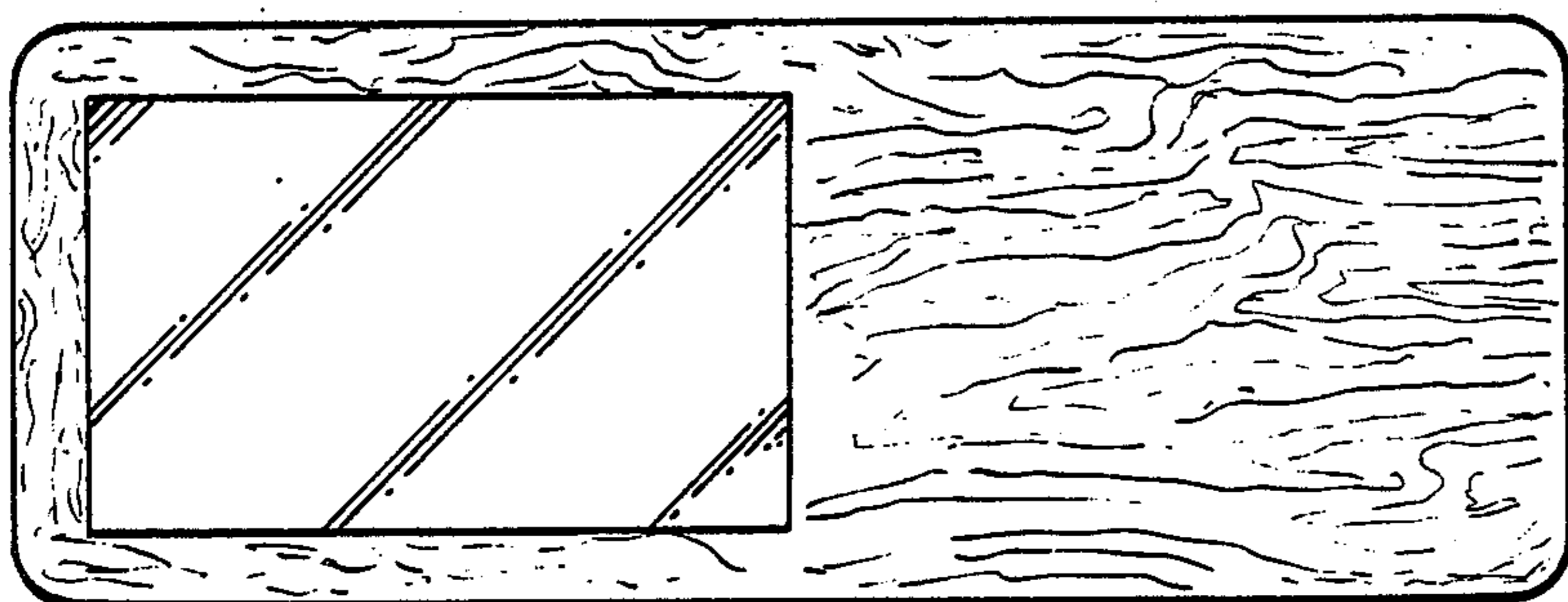
FIG. 1 is a perspective view of an adjustable table showing my design;  
FIG. 2 is a top plan view thereof;  
FIG. 3 is an end elevational view taken from the left in FIG. 1;  
FIG. 4 is a side elevational view;  
FIG. 5 is an end elevational view taken from the right in FIG. 1;  
FIG. 6 is a perspective view of the table of FIG. 1 adjusted to an alternate position;  
FIG. 7 is a perspective view of an adjustable table showing a second embodiment of my design; and  
FIG. 8 is a perspective view of the FIG. 7 embodiment showing the table adjusted to an alternate position.  
The side of the table not shown in elevation is substantially a mirror image of the side shown in FIG. 4.



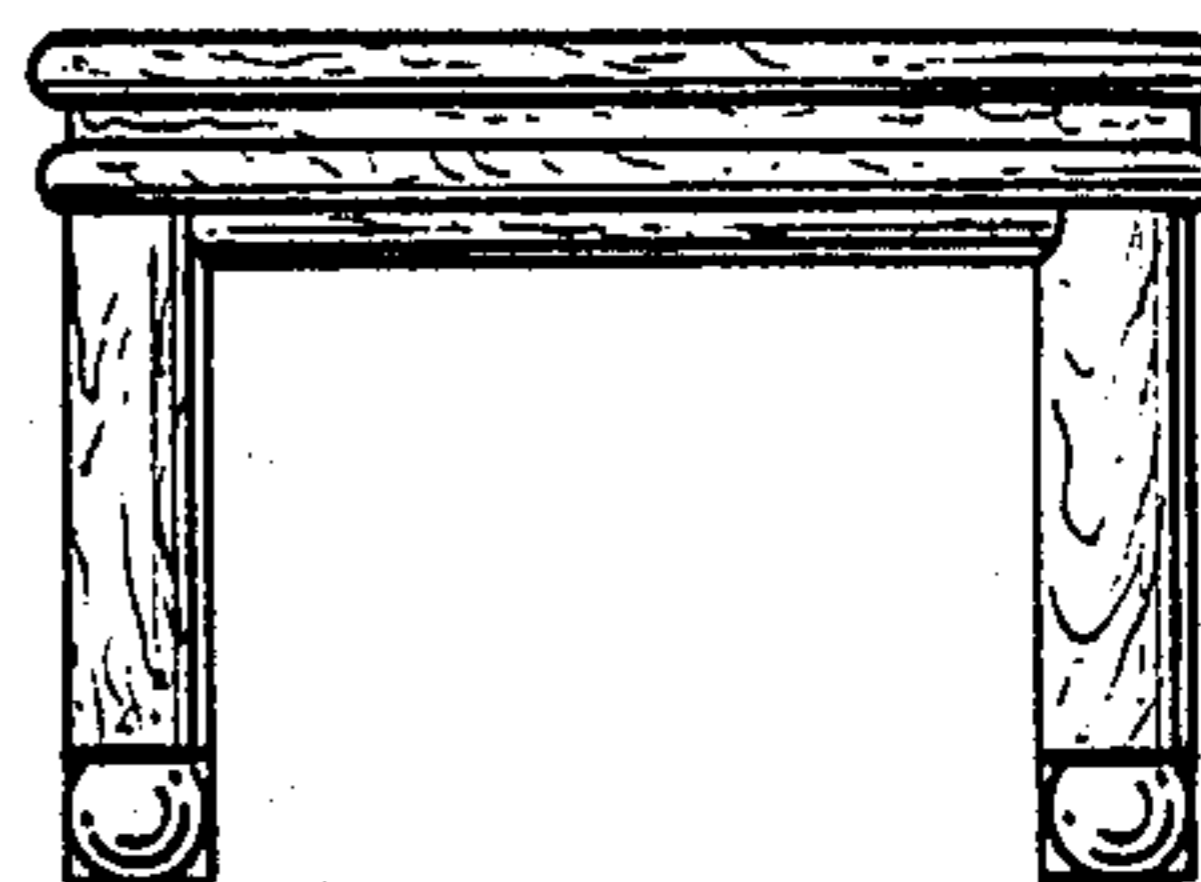
**FIG. 1.**



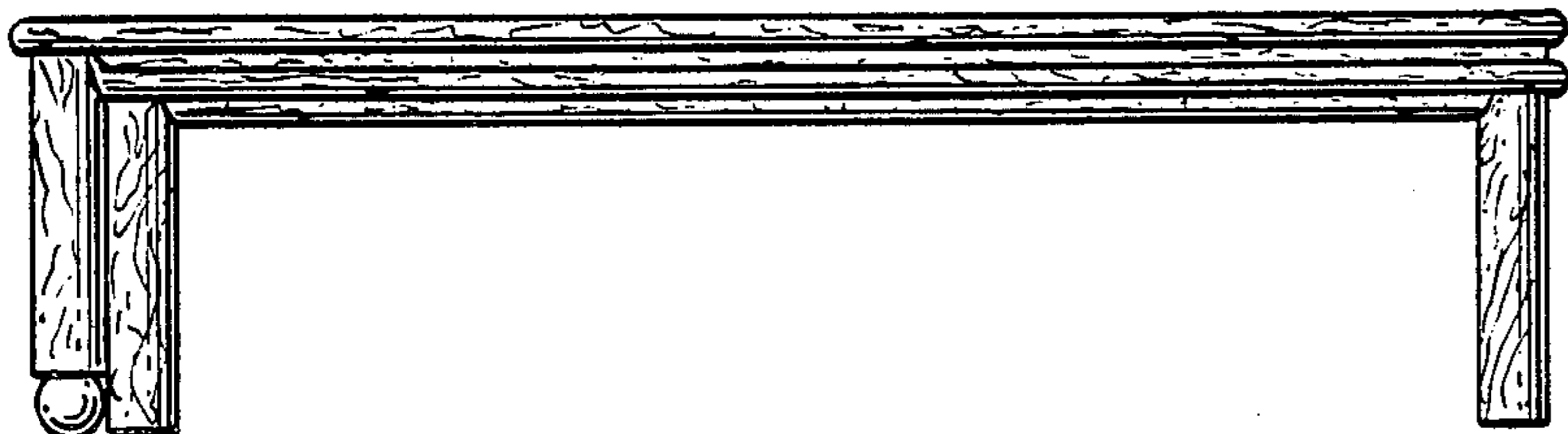
**FIG. 2.**



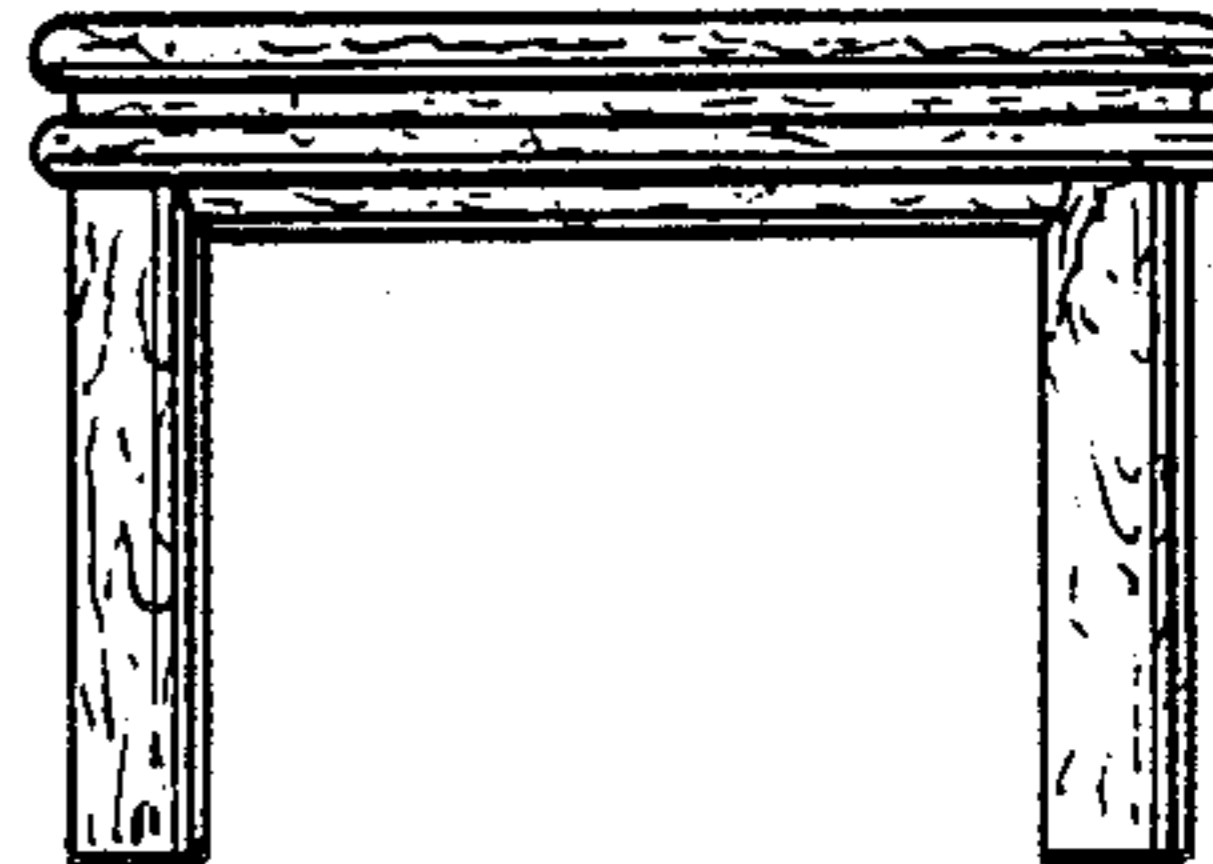
**FIG. 3.**



**FIG. 4.**

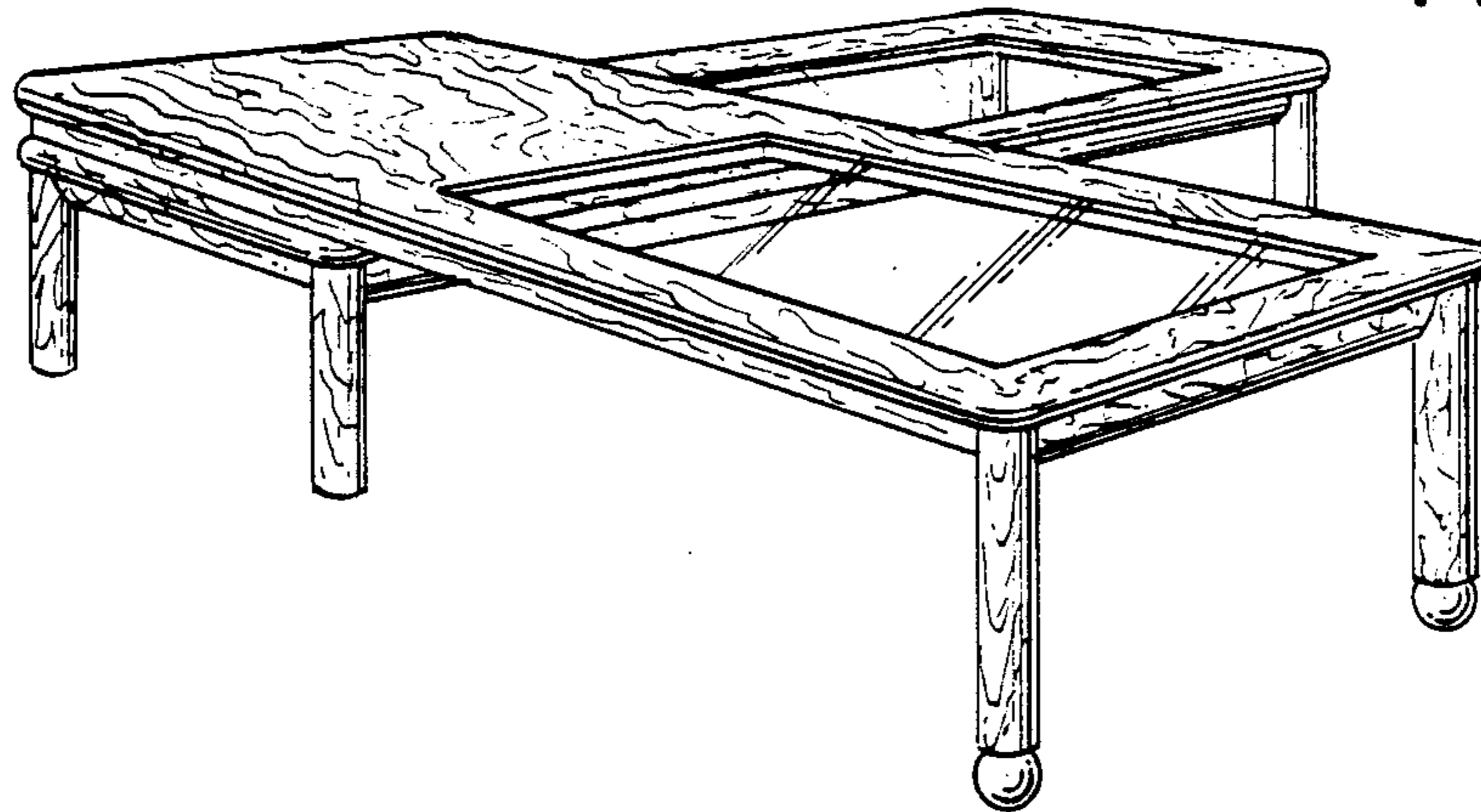


**FIG. 5.**

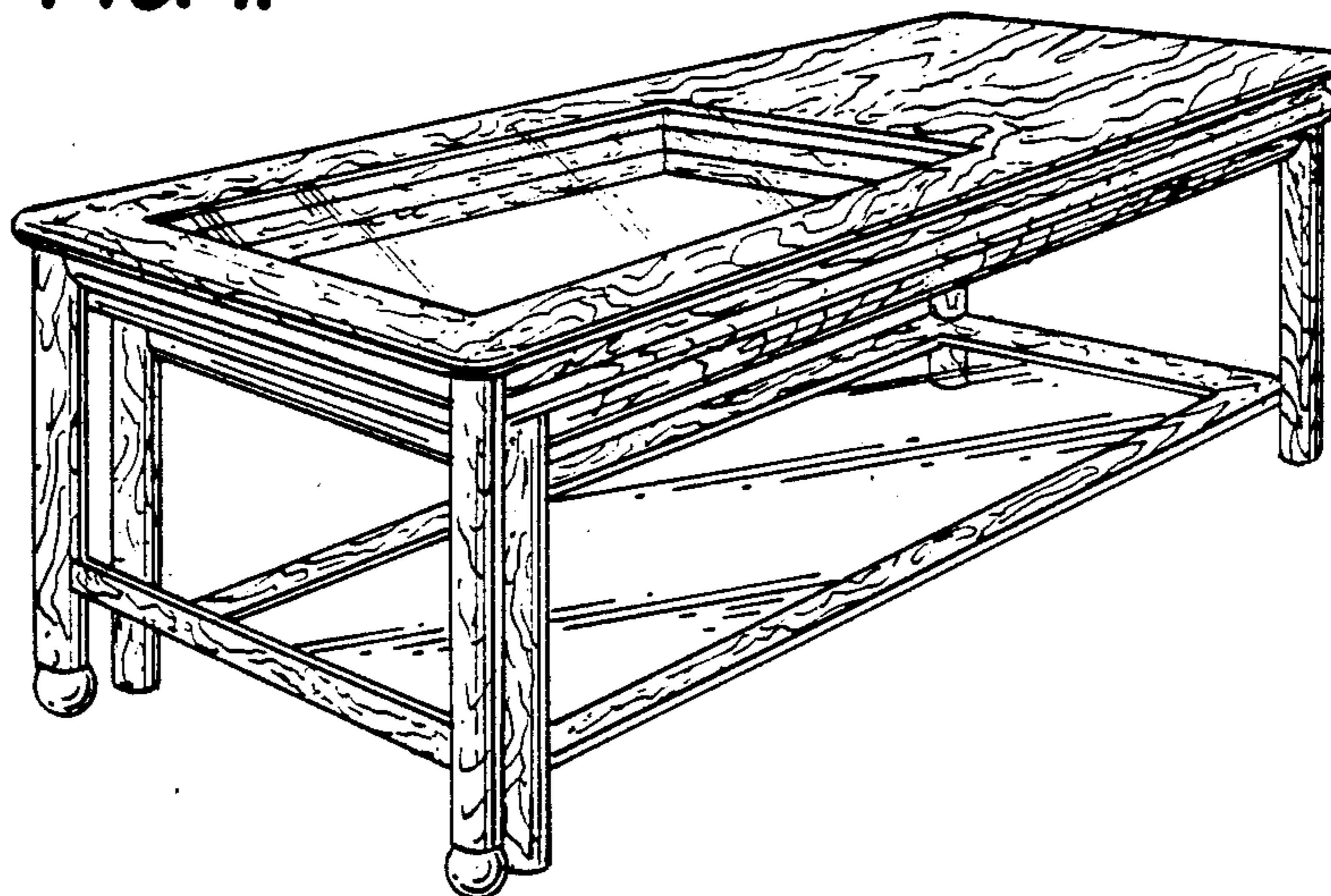




**FIG. 6.**



**FIG. 7.**



**FIG. 8.**

