

[54] ADJUSTABLE SUPPORT STAND FOR A MUSICAL INSTRUMENT

4,123,127 10/1978 Ford D6/311

[76] Inventor: Tai-Wu Chang, 2F1., No. 23, Sec. 1, Chung Hsiao W. Rd., Taipei, Taiwan

Primary Examiner—Bruce W. Dunkins
Attorney, Agent, or Firm—Armstrong, Nikaido, Marmelstein & Kubovcik

[**] Term: 14 Years

[57] CLAIM

[21] Appl. No.: 764,050

The ornamental design for an adjustable support stand for a musical instrument, as shown and described.

[22] Filed: Aug. 9, 1985

[52] U.S. Cl. D6/429; D6/465

[58] Field of Search D6/311, 312, 329, 396, D6/419, 429, 462, 463, 464, 465; 211/13, 181, 182, 189, 71; 248/460

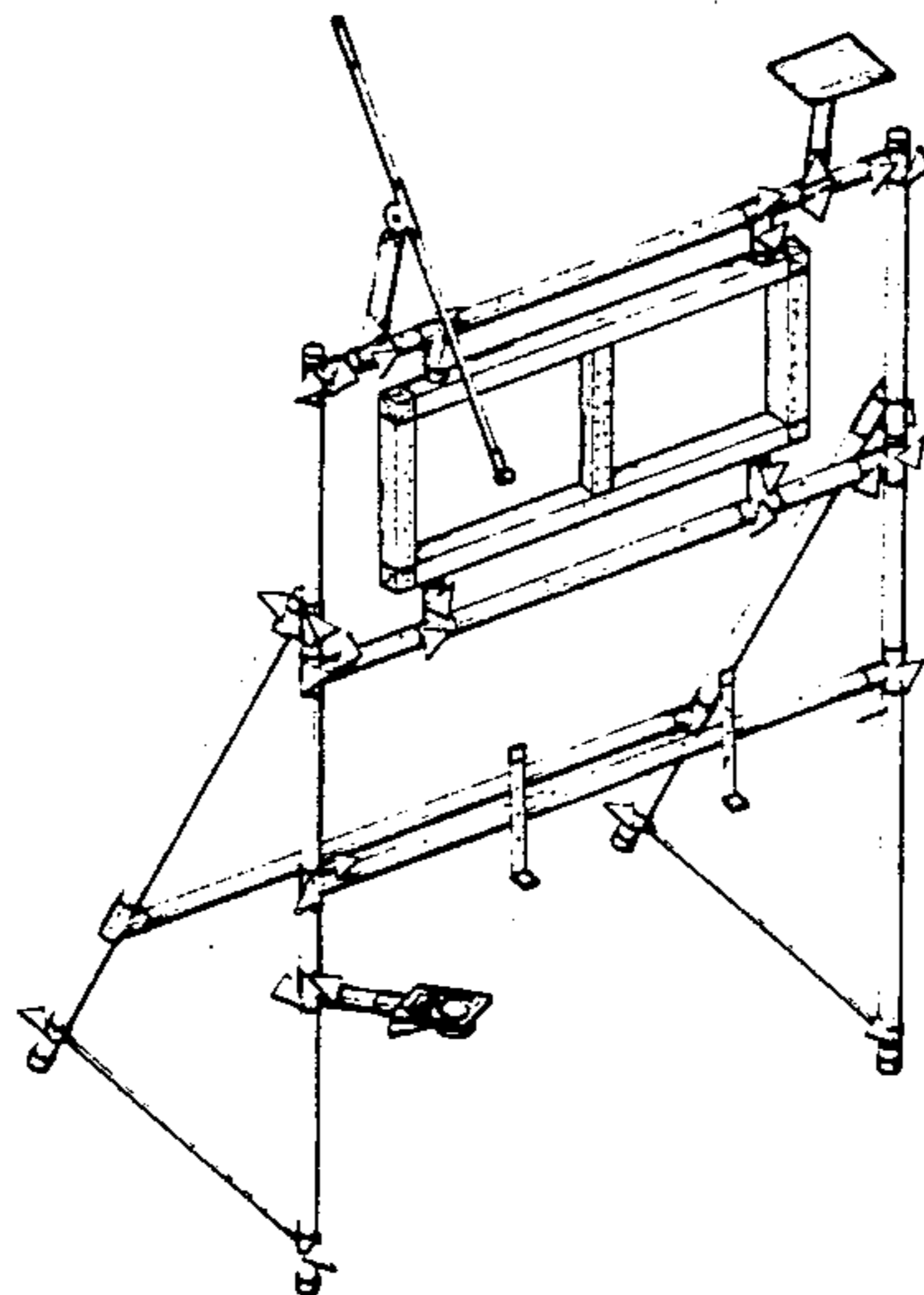
DESCRIPTION

[56] References Cited

U.S. PATENT DOCUMENTS

D. 191,360	9/1961	Bolcom	D6/419
D. 237,337	10/1975	Peets	D6/462 X
D. 251,647	4/1979	Valien	D6/311
D. 251,820	5/1979	Stark	D6/312
D. 257,987	1/1981	Schoenig	D6/429 X
D. 278,670	5/1985	Schoenig	D6/465 X
D. 289,835	5/1987	Schoenig et al.	D6/462
1,169,157	1/1916	Honold	211/71

FIG. 1 is a front perspective view of an adjustable support stand for a musical instrument showing my design; FIG. 2 is a view of the musical instrument stand of FIG. 1, taken from the front of the stand; FIG. 3 is a view of the musical instrument stand of FIG. 1, taken from the back of the stand; FIG. 4 is a view of the musical instrument stand of FIG. 1, taken from the left side of the stand; FIG. 5 is a view of the musical instrument stand of FIG. 1, taken from the right side of the stand; FIG. 6 is a view of the musical instrument stand of FIG. 1, taken from the top of the stand; and FIG. 7 is a view of the musical instrument stand of FIG. 1, taken from the bottom of the stand.



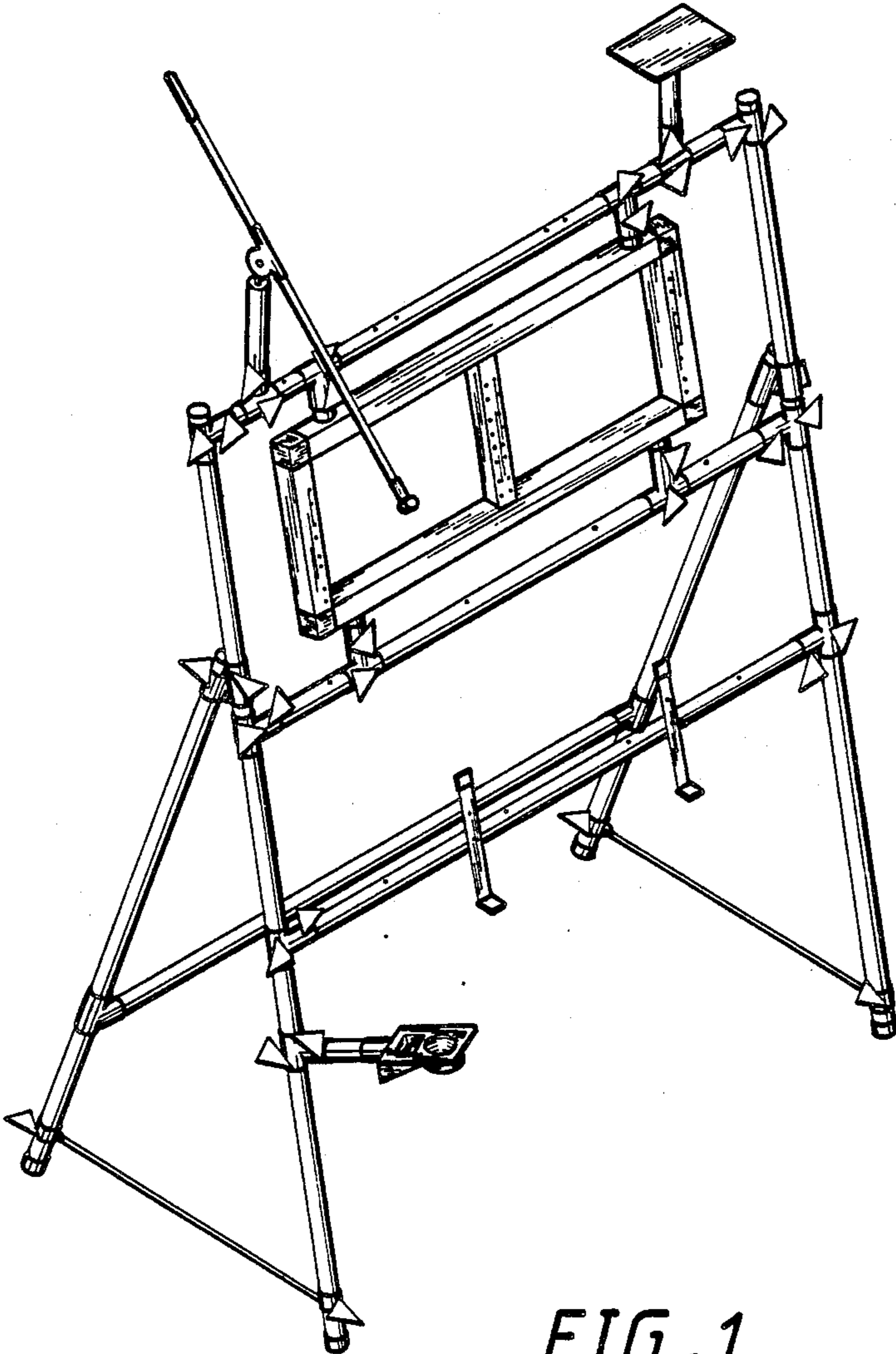


FIG. 1

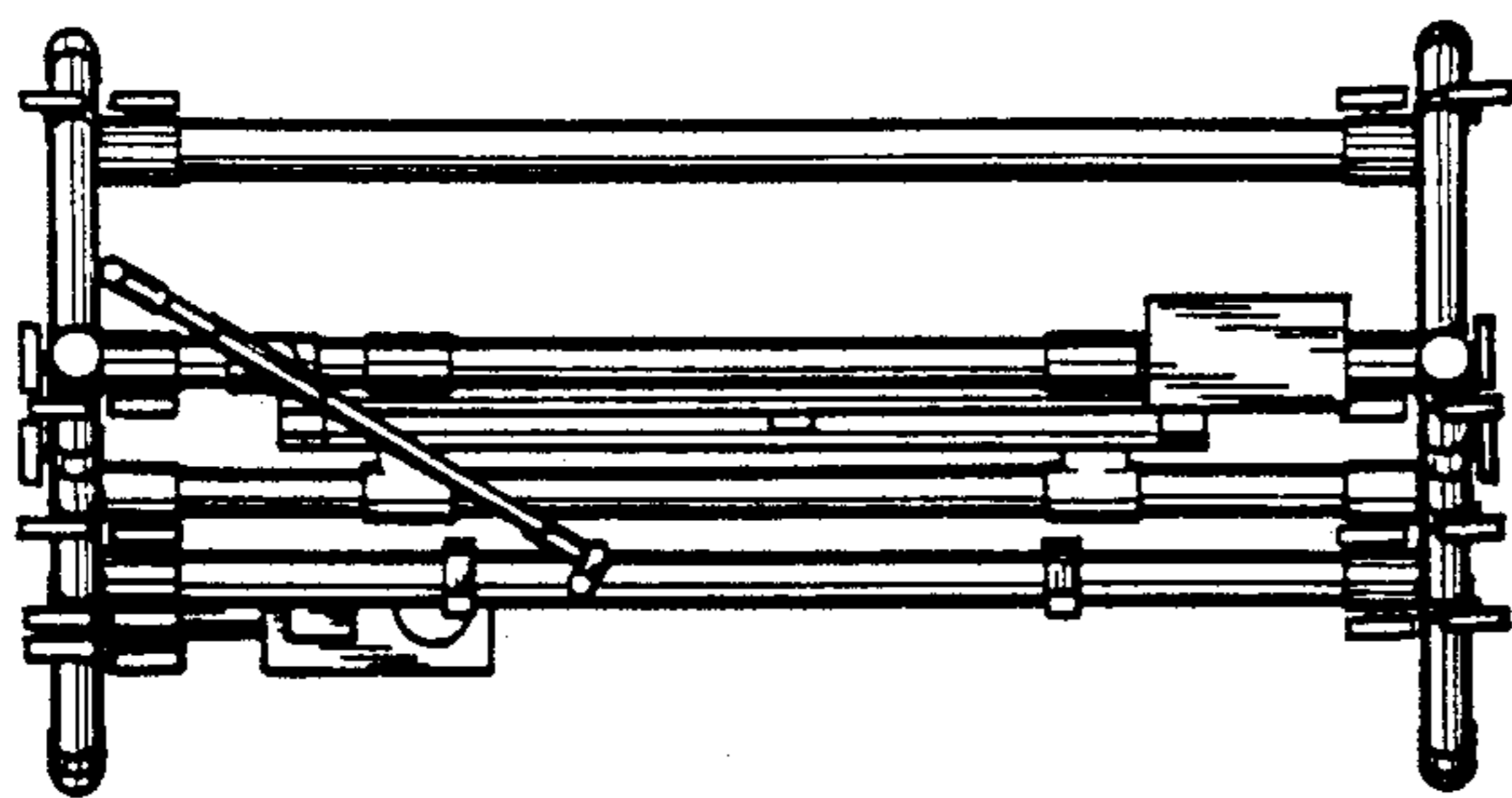


FIG. 6

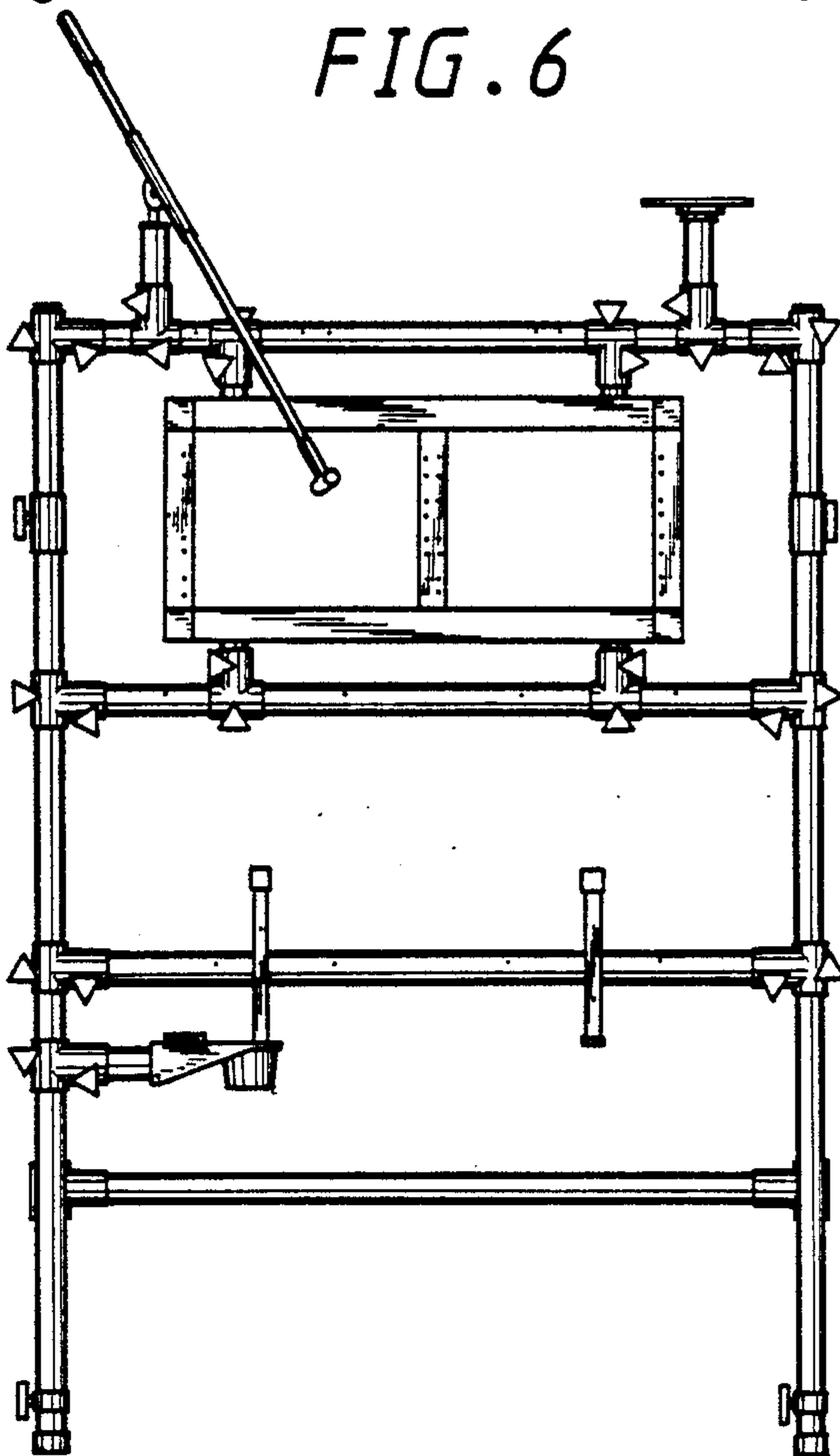


FIG. 2

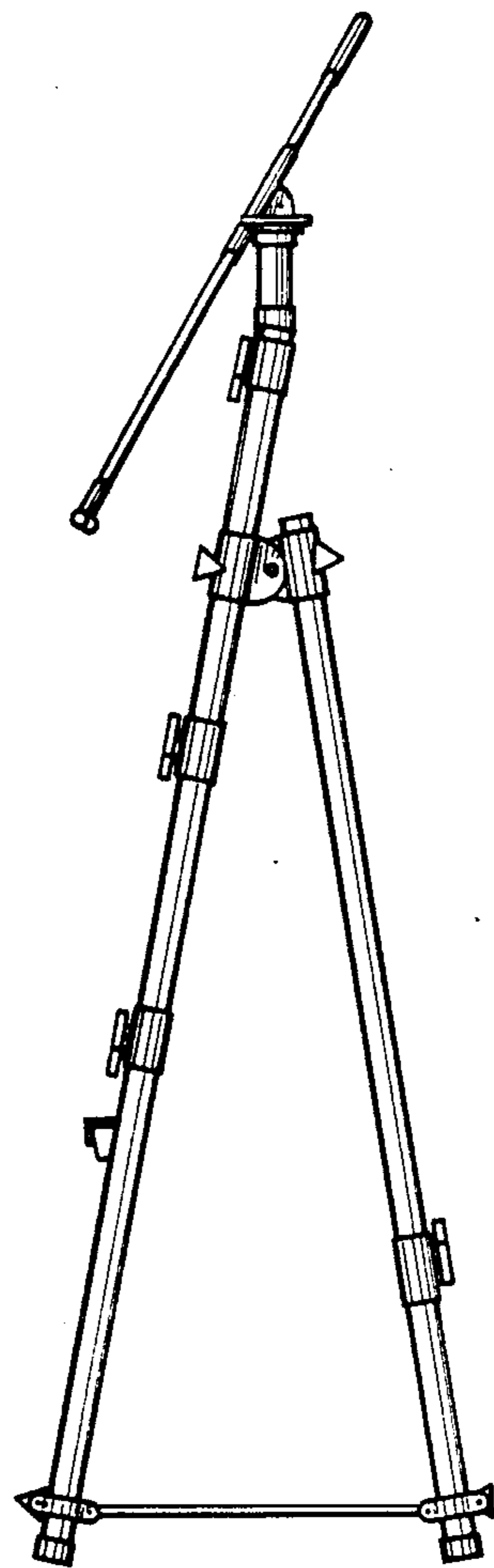


FIG. 5

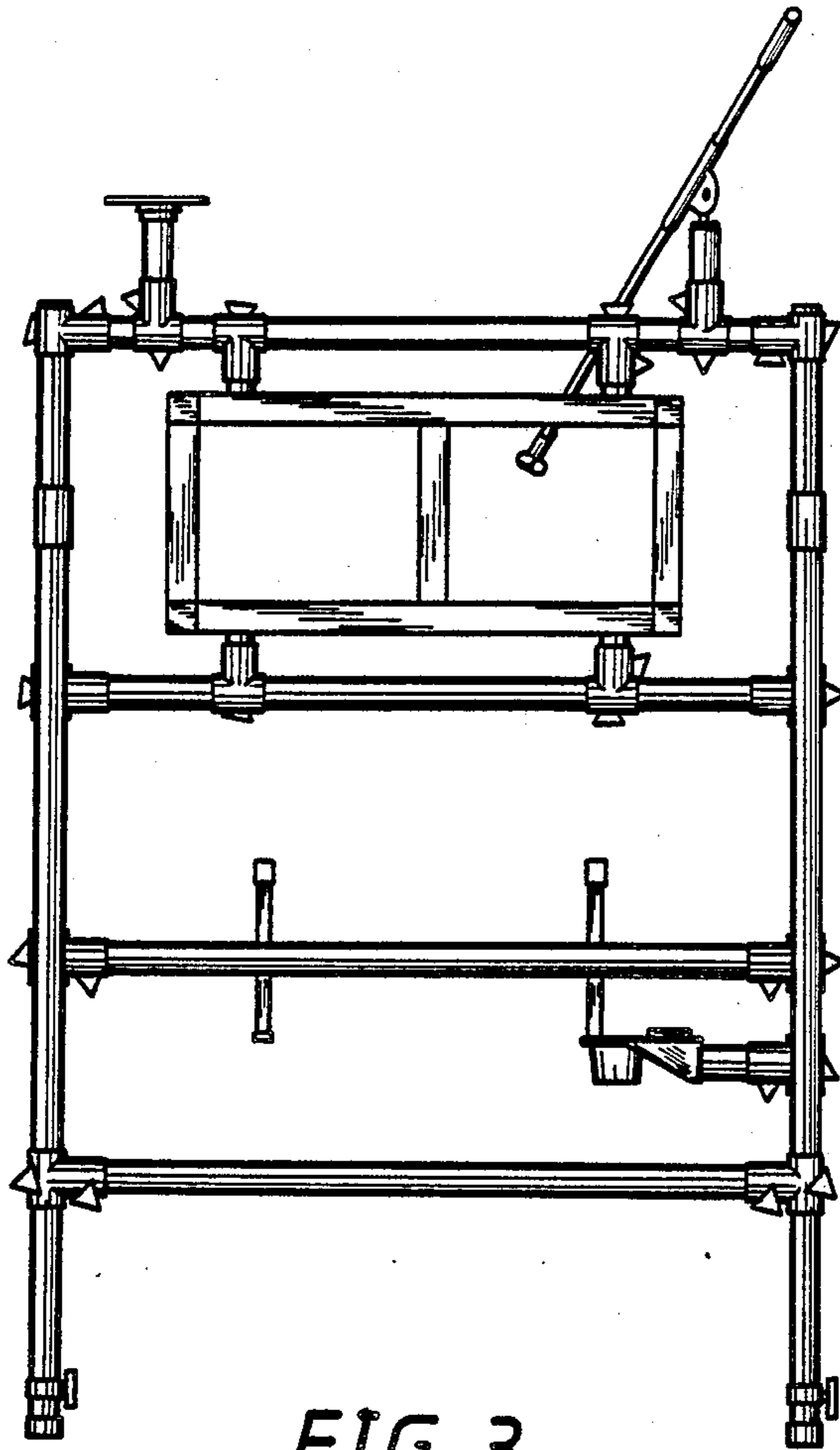


FIG. 3

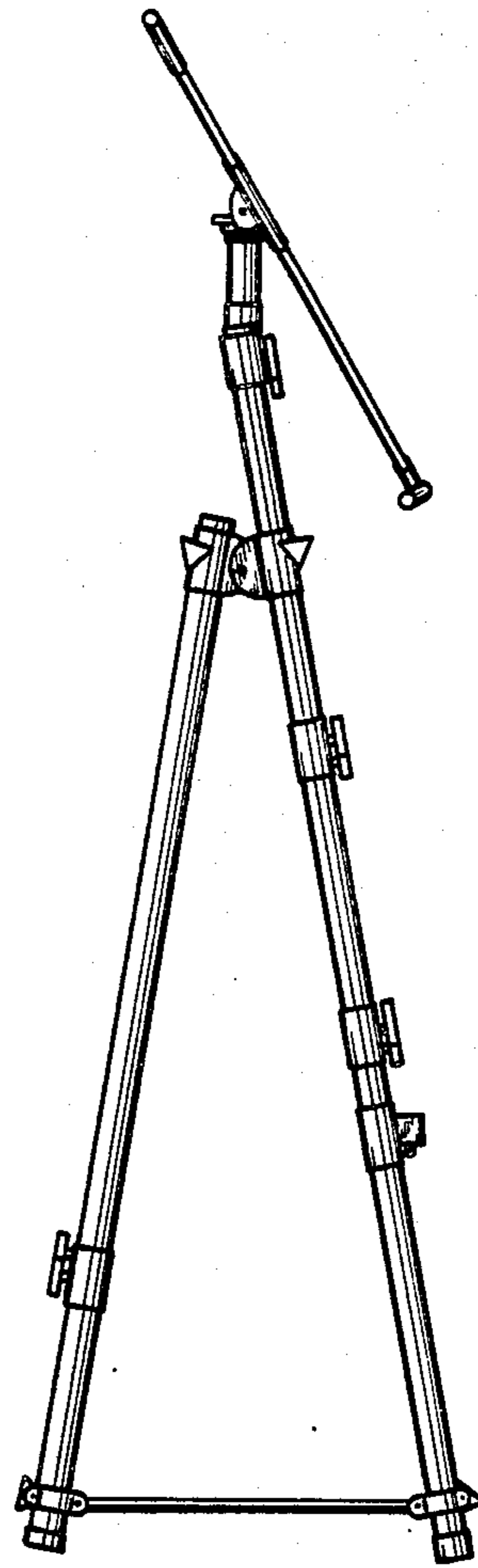


FIG. 4

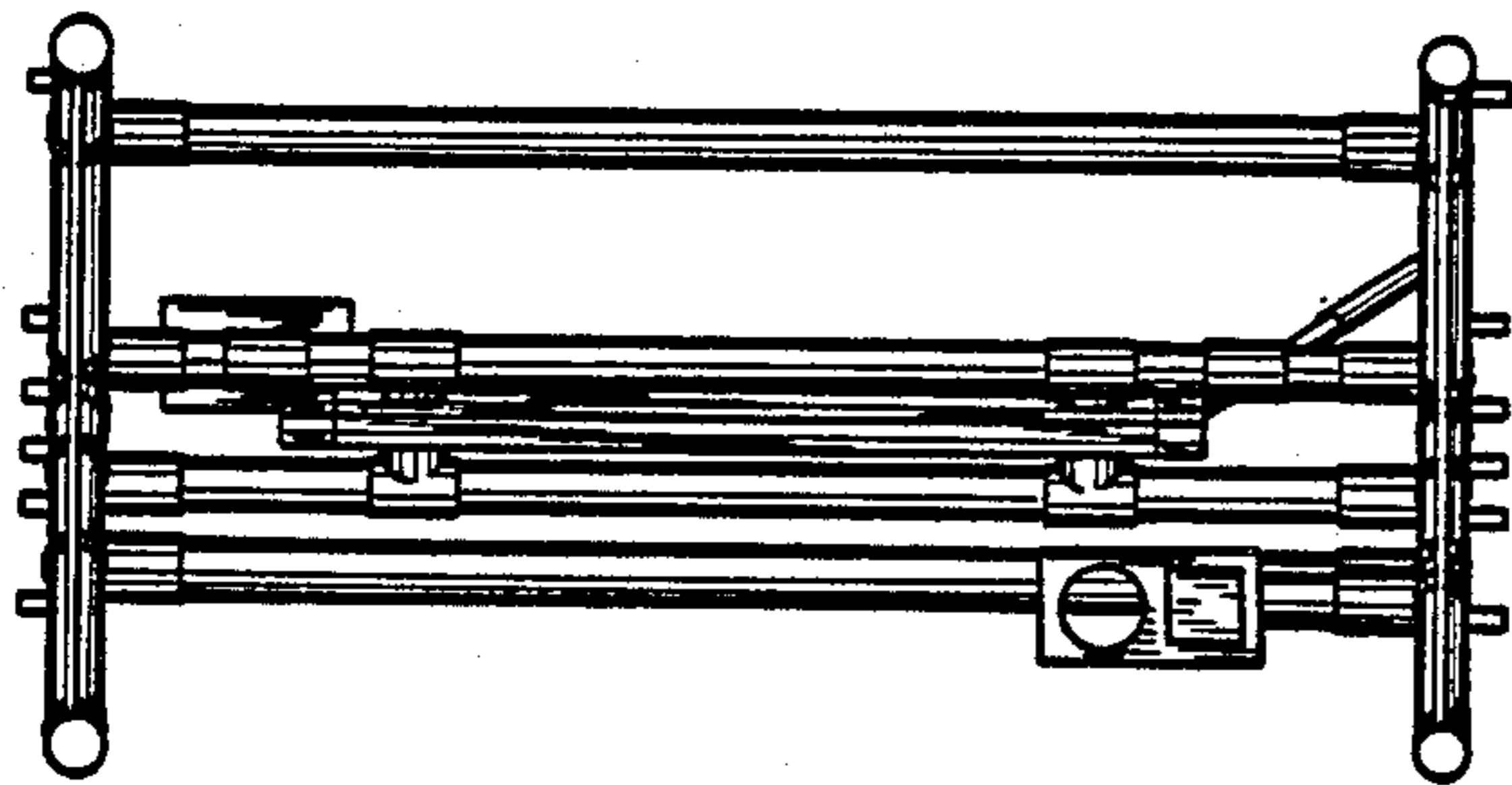


FIG. 7