

[54] HANGER FOR GLOVES, CLOTHES OR THE LIKE

[76] Inventor: Jenny I. M. Larsson, Smedsbacksgatan 9, S-115 39 Stockholm, Sweden

[**] Term: 14 Years

[21] Appl. No.: 821,907

[22] Filed: Jan. 23, 1986

[30] Foreign Application Priority Data

Aug. 16, 1985 [SE] Sweden 85-1935

[52] U.S. Cl. D6/326; D8/395; D32/64

[58] Field of Search D6/315, 323, 326, 328; D32/61, 64; 24/508, 509; 211/13, 113; 223/85, 87, 88, 91, 92, 93, 95, 96, DIG. 2; D8/395

[56] References Cited

U.S. PATENT DOCUMENTS

D. 148,526	2/1948	Fauteux, Jr.	D32/64
D. 187,643	4/1960	Sigman	D32/64
D. 251,345	3/1979	Bigelow	D6/328
D. 277,534	2/1985	Warmath	D6/328
2,279,934	4/1942	Wisecup	D32/64
2,840,874	7/1958	Sauerman	24/508

Primary Examiner—B. J. Bullock

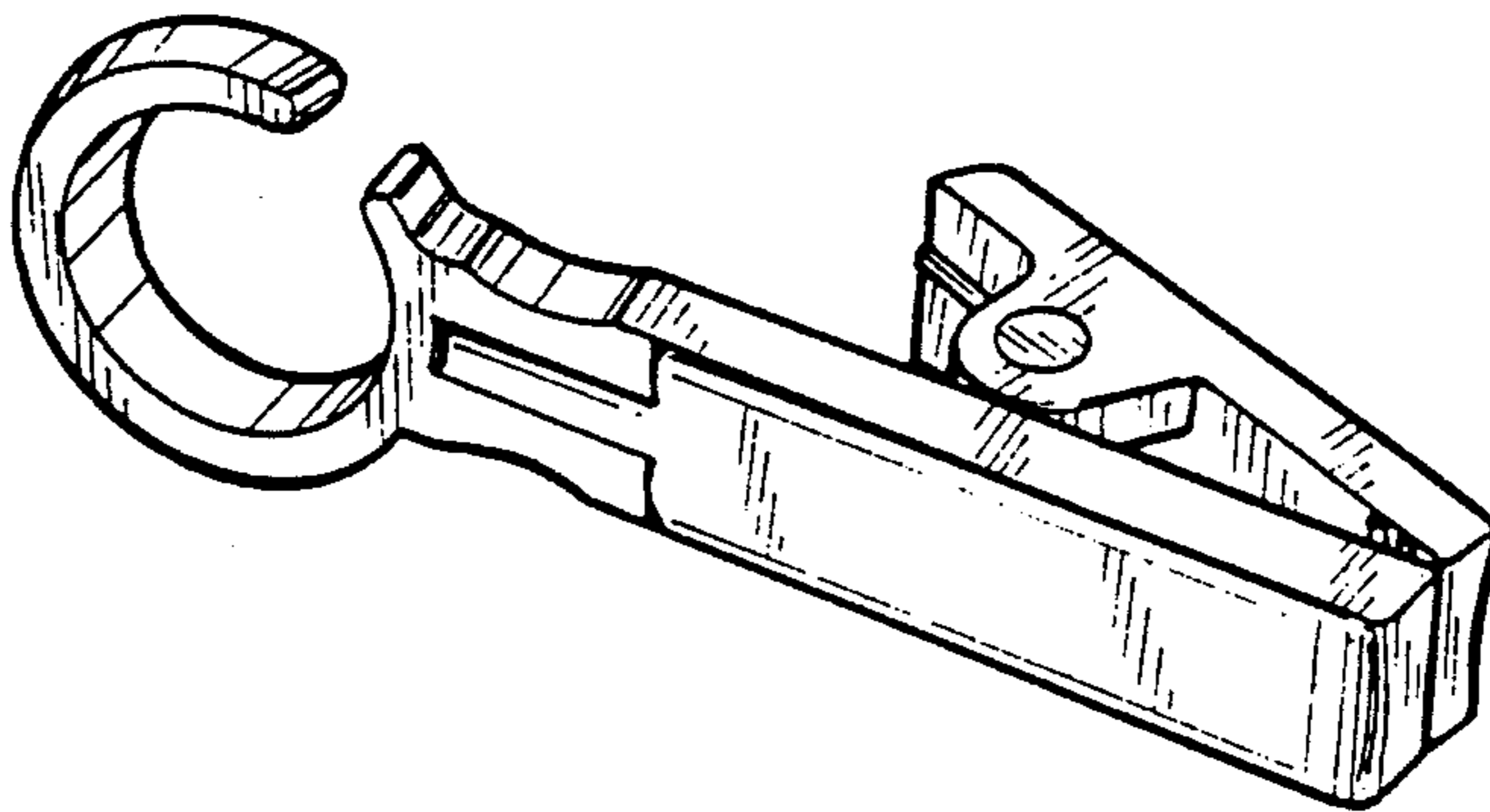
Attorney, Agent, or Firm—Young & Thompson

[57] CLAIM

The ornamental design for a hanger for gloves, clothes or the like, as shown and described.

DESCRIPTION

FIG. 1 is a top perspective view of a hanger for gloves, clothes or the like showing my new design; and FIG. 2 is a bottom perspective view thereof.



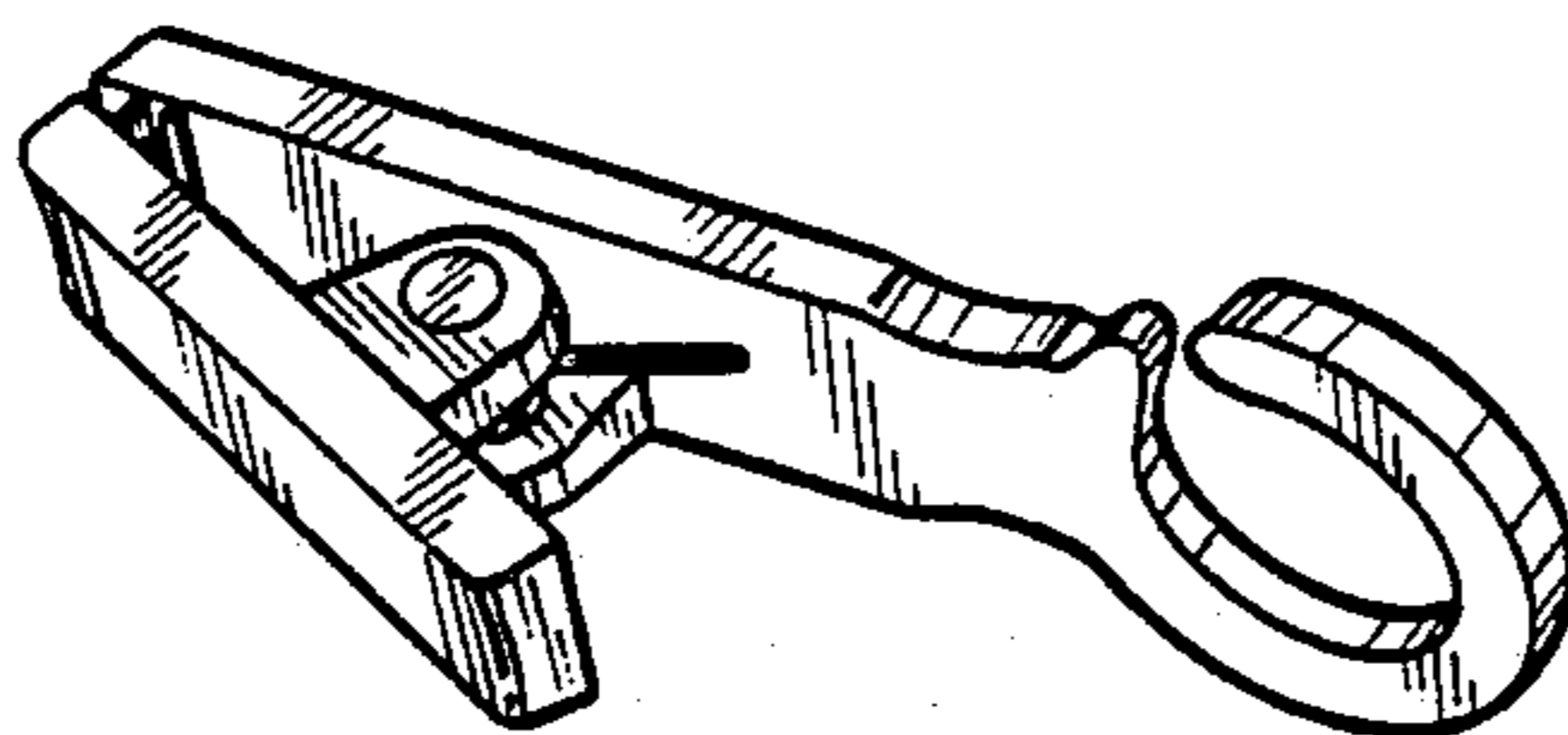


FIG. 1

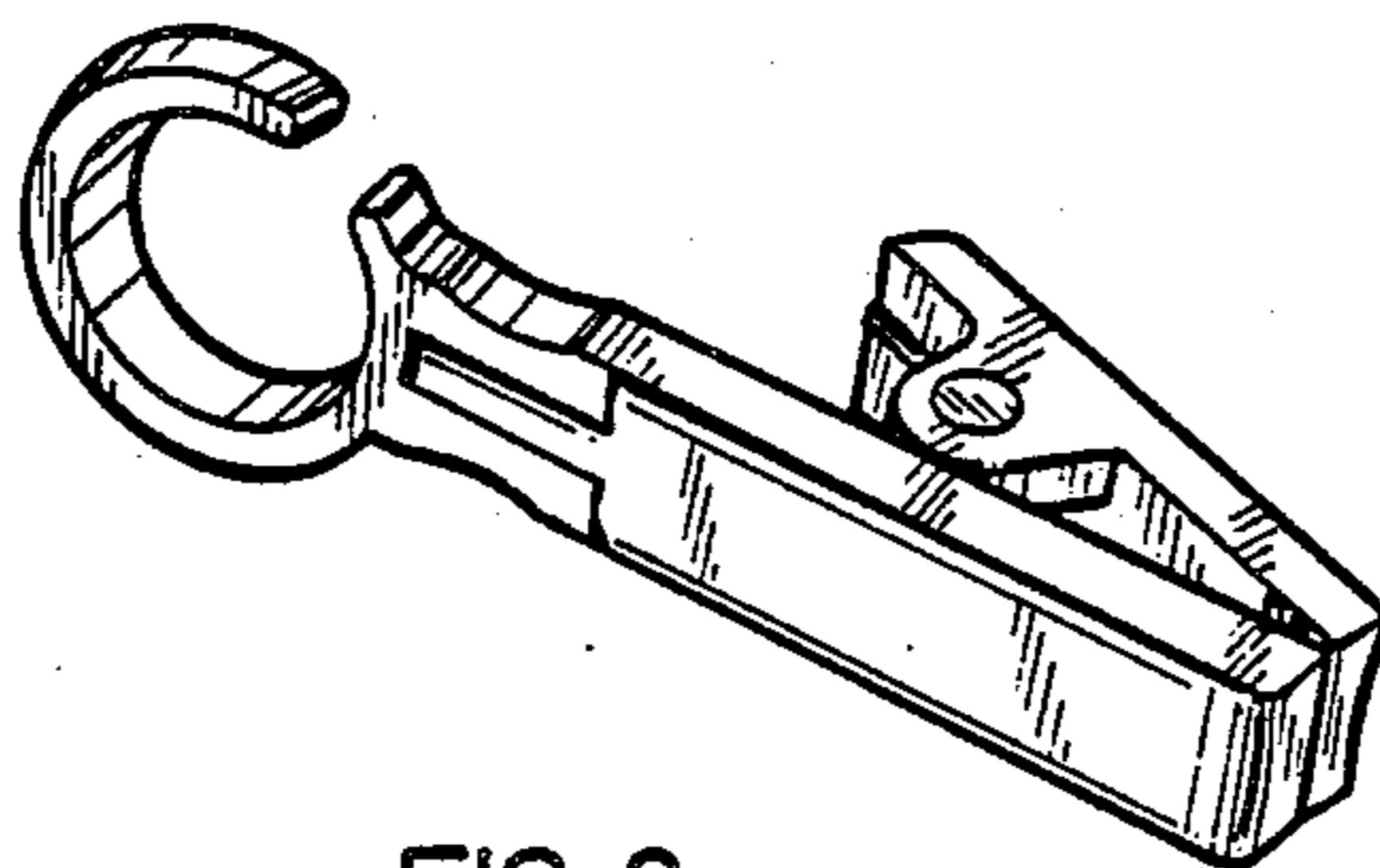


FIG. 2