

[54] DESK WITH PIVOTABLE STORAGE UNITS

[75] Inventor: Roberto Saporiti, Gallarate, Italy

[73] Assignee: Saporiti Italia S.p.A., Italy

[**] Term: 14 Years

[21] Appl. No.: 753,218

[22] Filed: Jul. 9, 1985

[30] Foreign Application Priority Data

Jan. 14, 1985 [IT] Italy 20495

[52] U.S. Cl. D6/422; D6/425

[58] Field of Search D6/422, 423, 424, 425, D6/426, 427, 428; 312/194, 195, 196

[56] References Cited

U.S. PATENT DOCUMENTS

D. 180,224	5/1957	Delynn	D6/422
D. 220,441	4/1971	Beavers	D6/422
D. 229,465	12/1973	Hero et al.	D6/425
D. 284,339	6/1986	Berry, Jr.	D6/430 X
3,529,880	9/1970	Christen	312/194
4,382,642	5/1983	Burdick	312/194

OTHER PUBLICATIONS

Interiors 12-1972, p. 22; Table top of page.
L'Architecture d'Aujourd'Hui 9-1980, p. 102; Desk on center right of page.

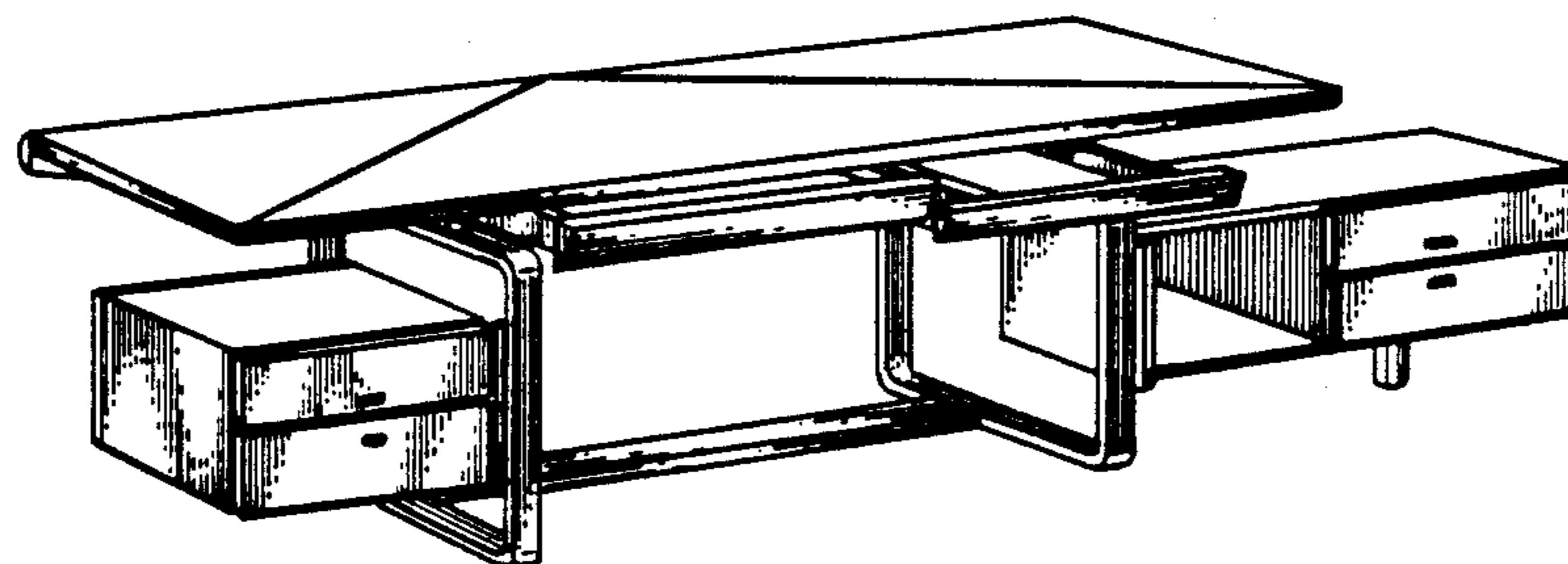
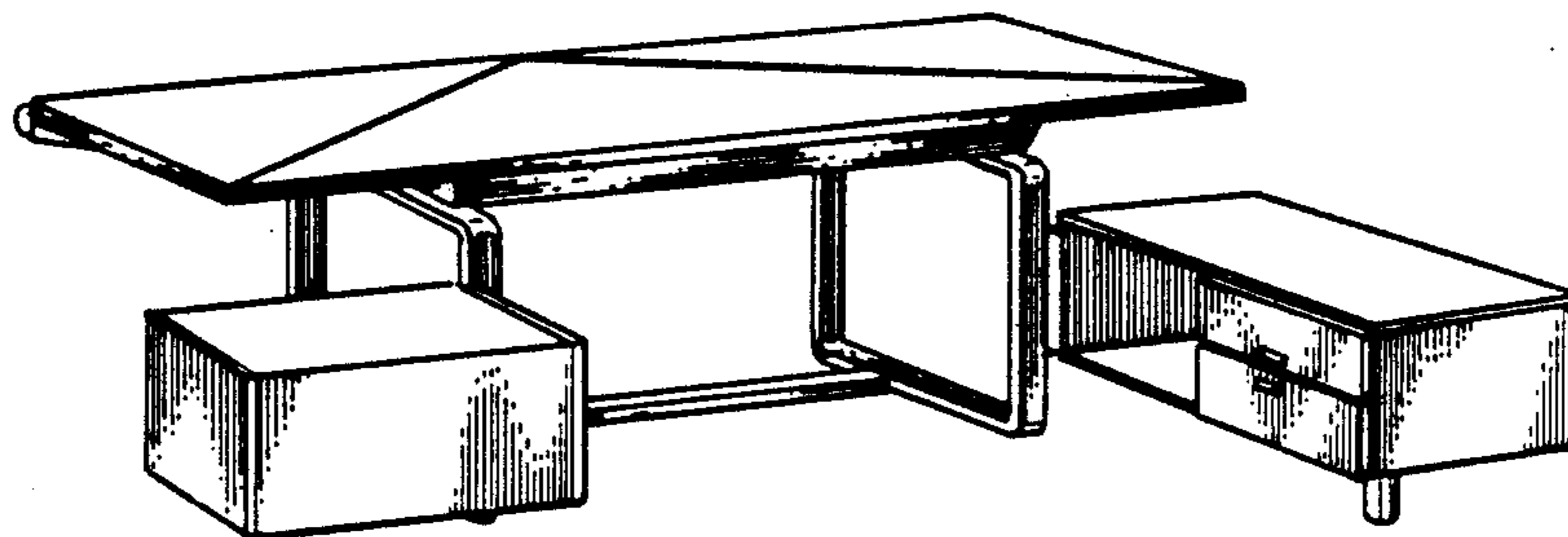
Primary Examiner—Carmen H. Vales
Attorney, Agent, or Firm—Steele, Gould & Fried

[57] CLAIM

The ornamental design for a desk with pivotable storage units, as shown and described.

DESCRIPTION

FIG. 1 is a perspective view of a desk with pivotable storage units showing my new design;
FIG. 2 is a perspective view with the storage units in a different position of use and the desk drawers in open position;
FIG. 3 is a rear elevational view of FIG. 1;
FIG. 4 is a left side elevational view thereof;
FIG. 5 is a right side elevational view thereof;
FIG. 6 is a front elevational view thereof; and,
FIG. 7 is a bottom plan view thereof.



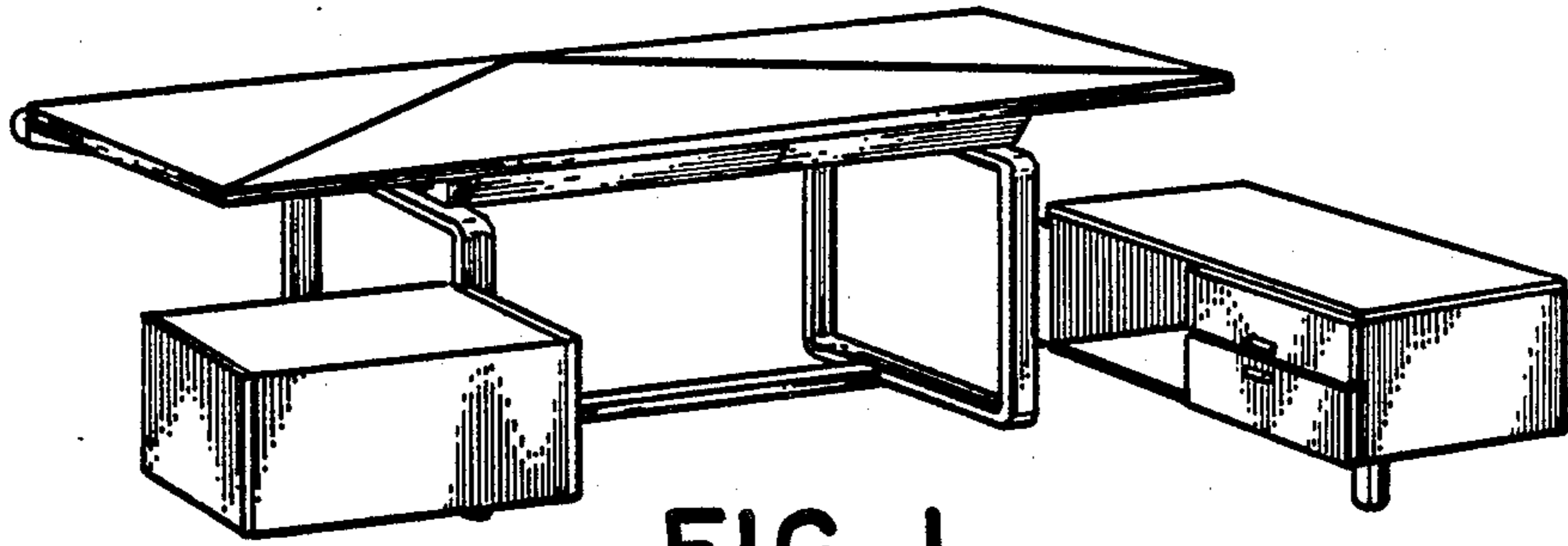


FIG. 1

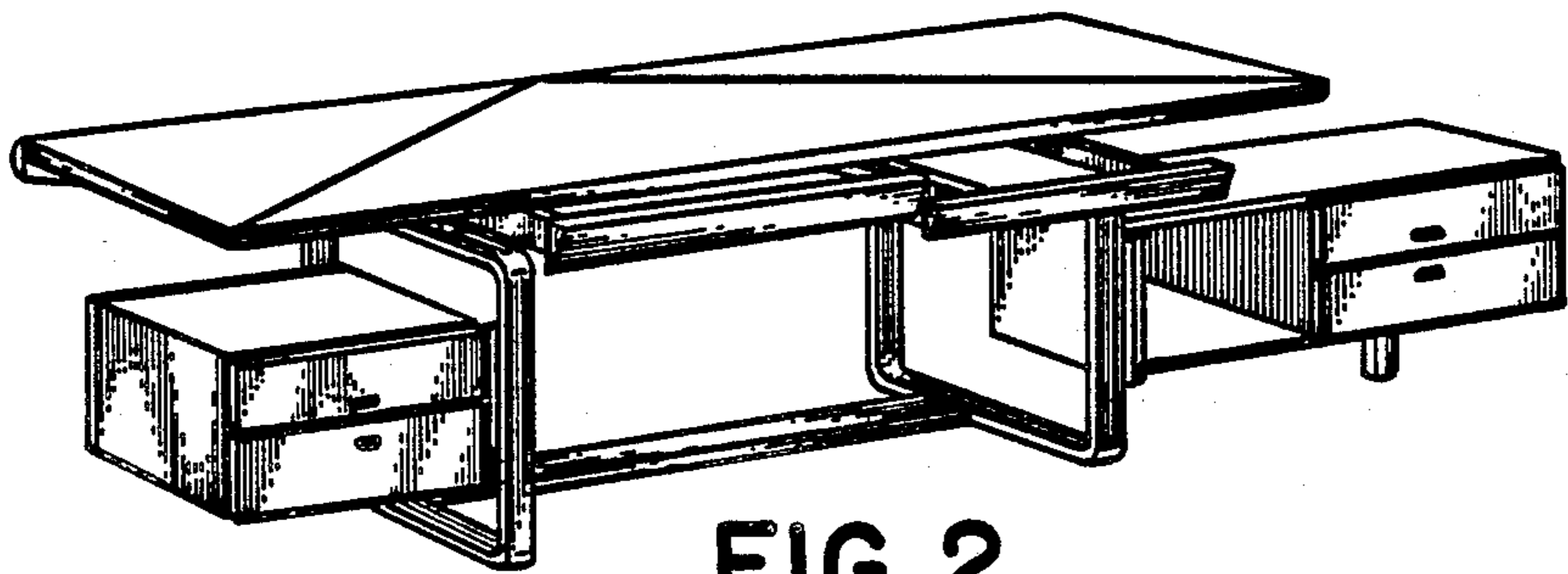


FIG. 2

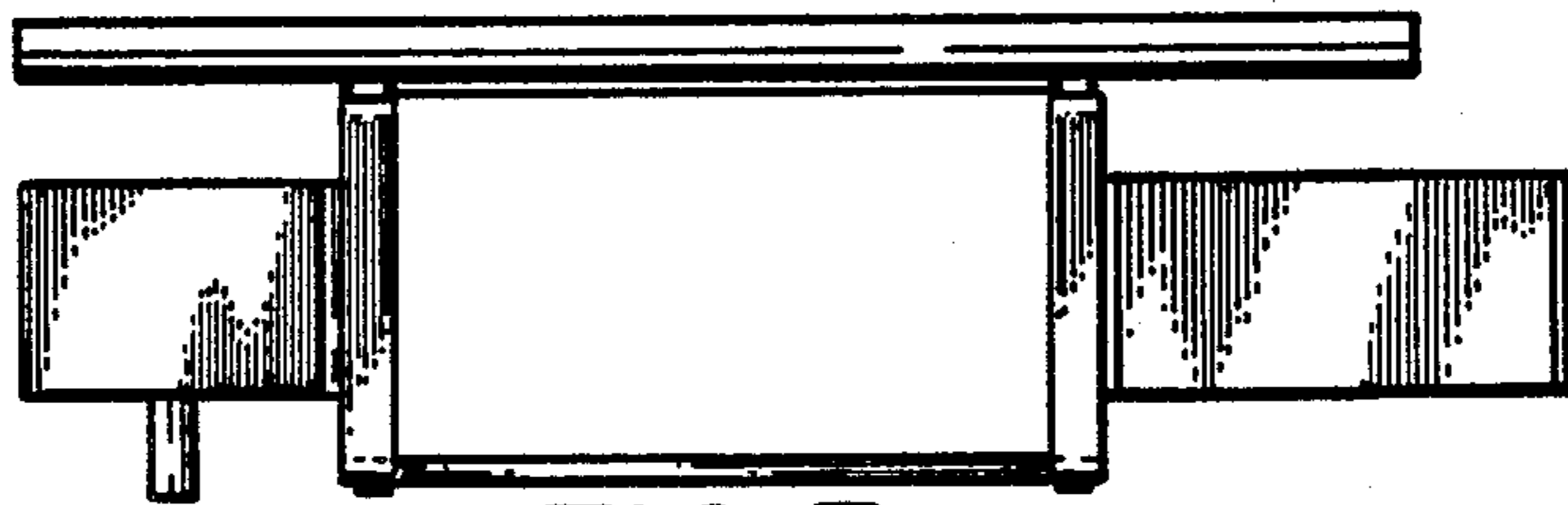


FIG. 3

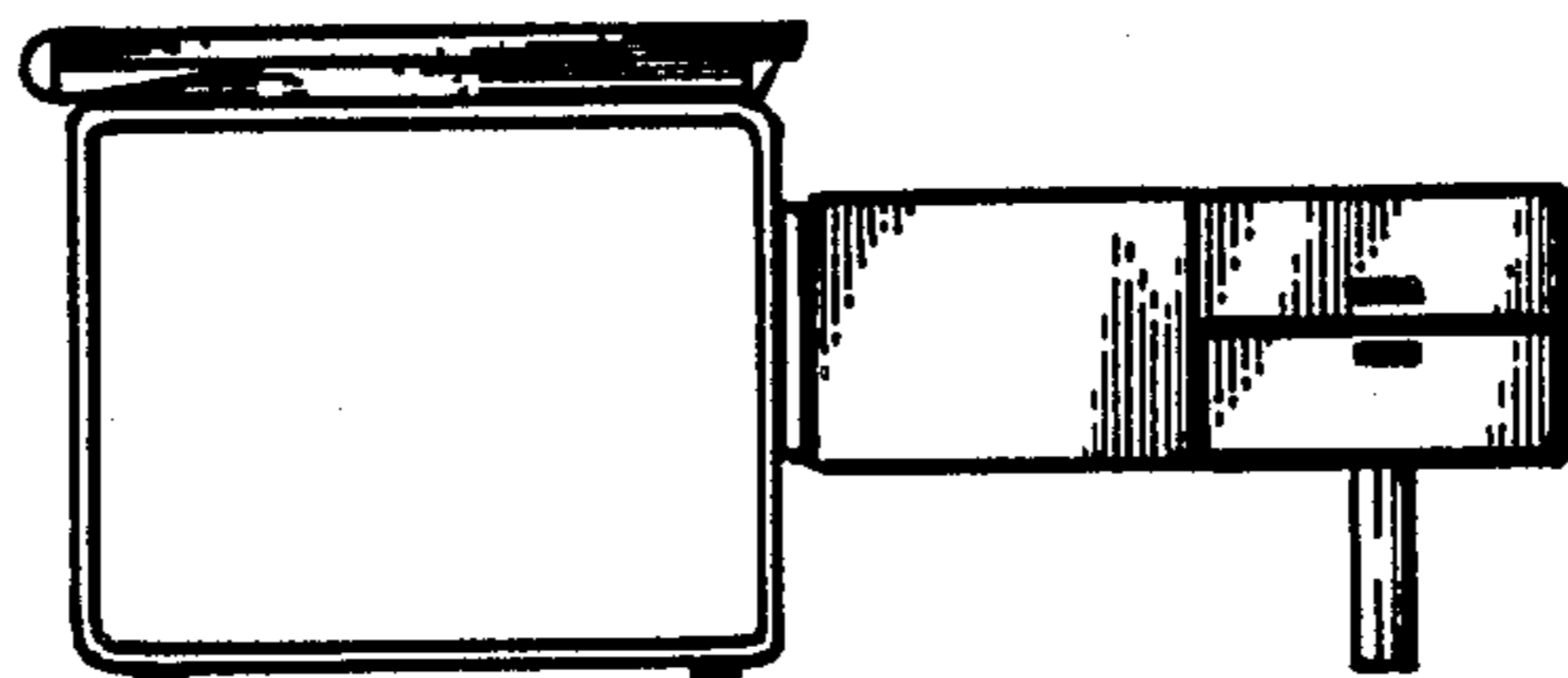


FIG. 4

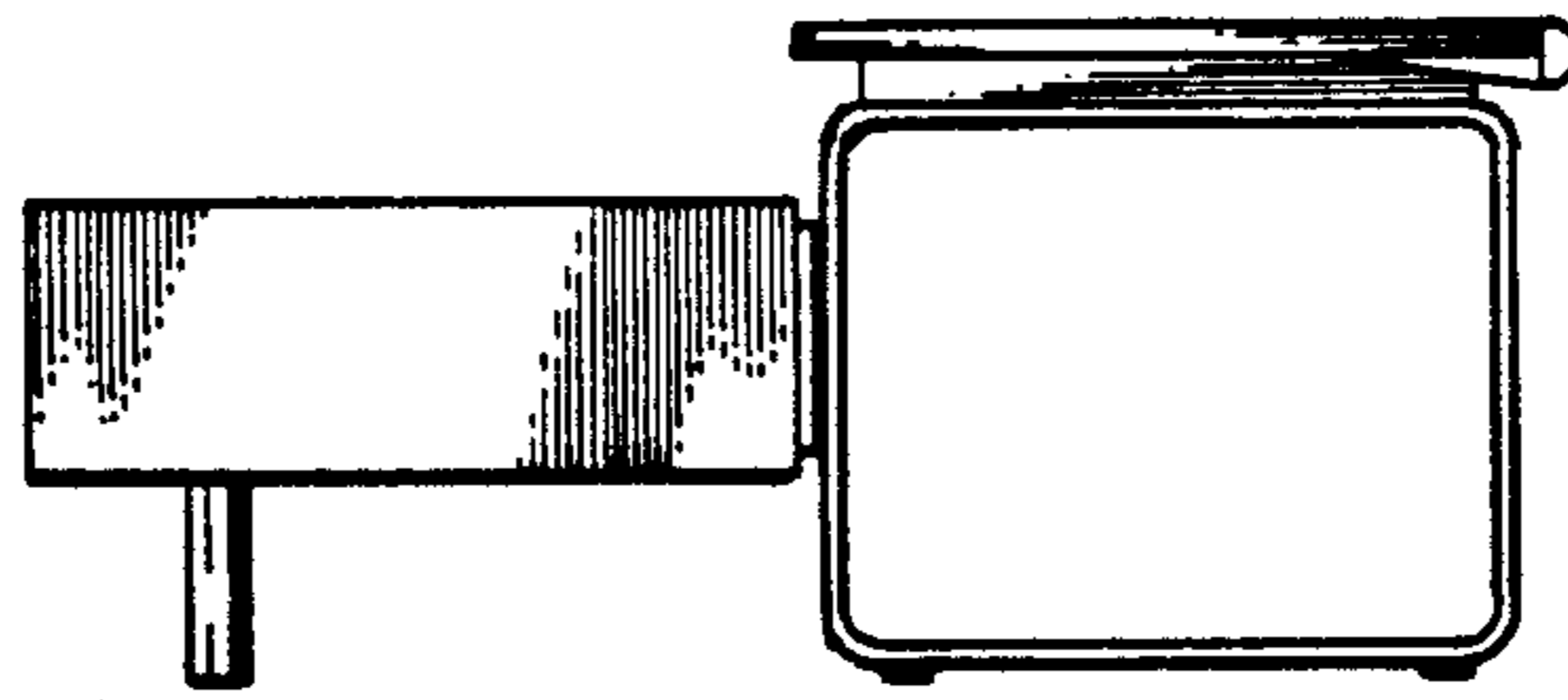


FIG. 5

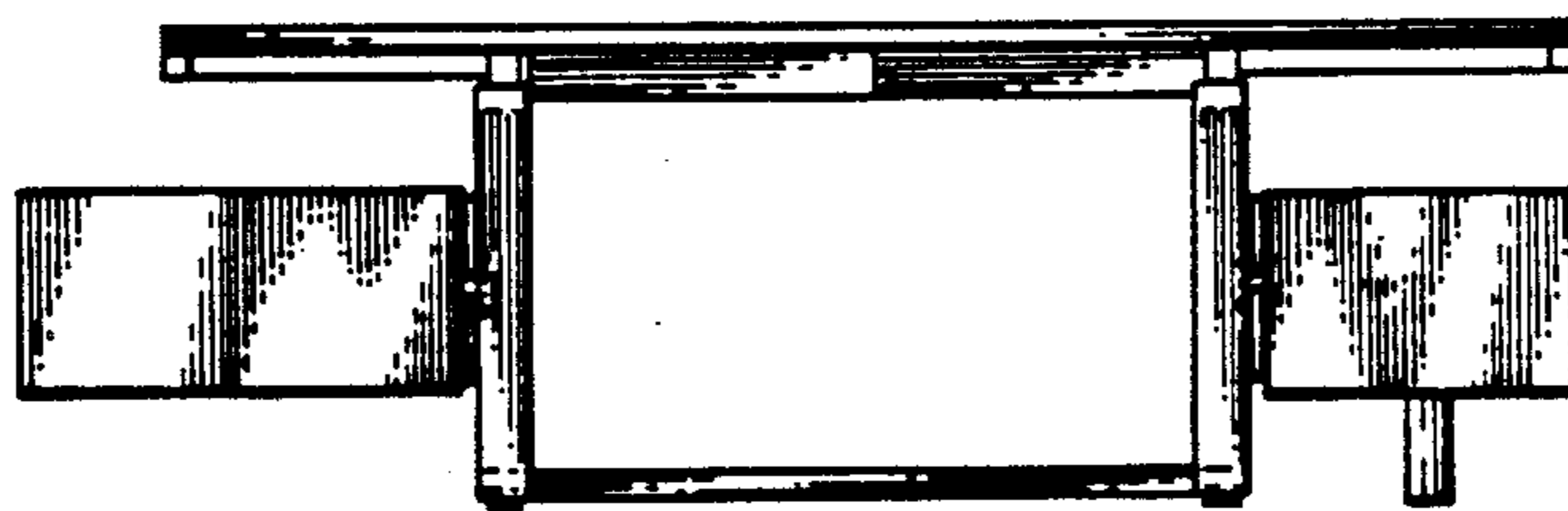


FIG. 6

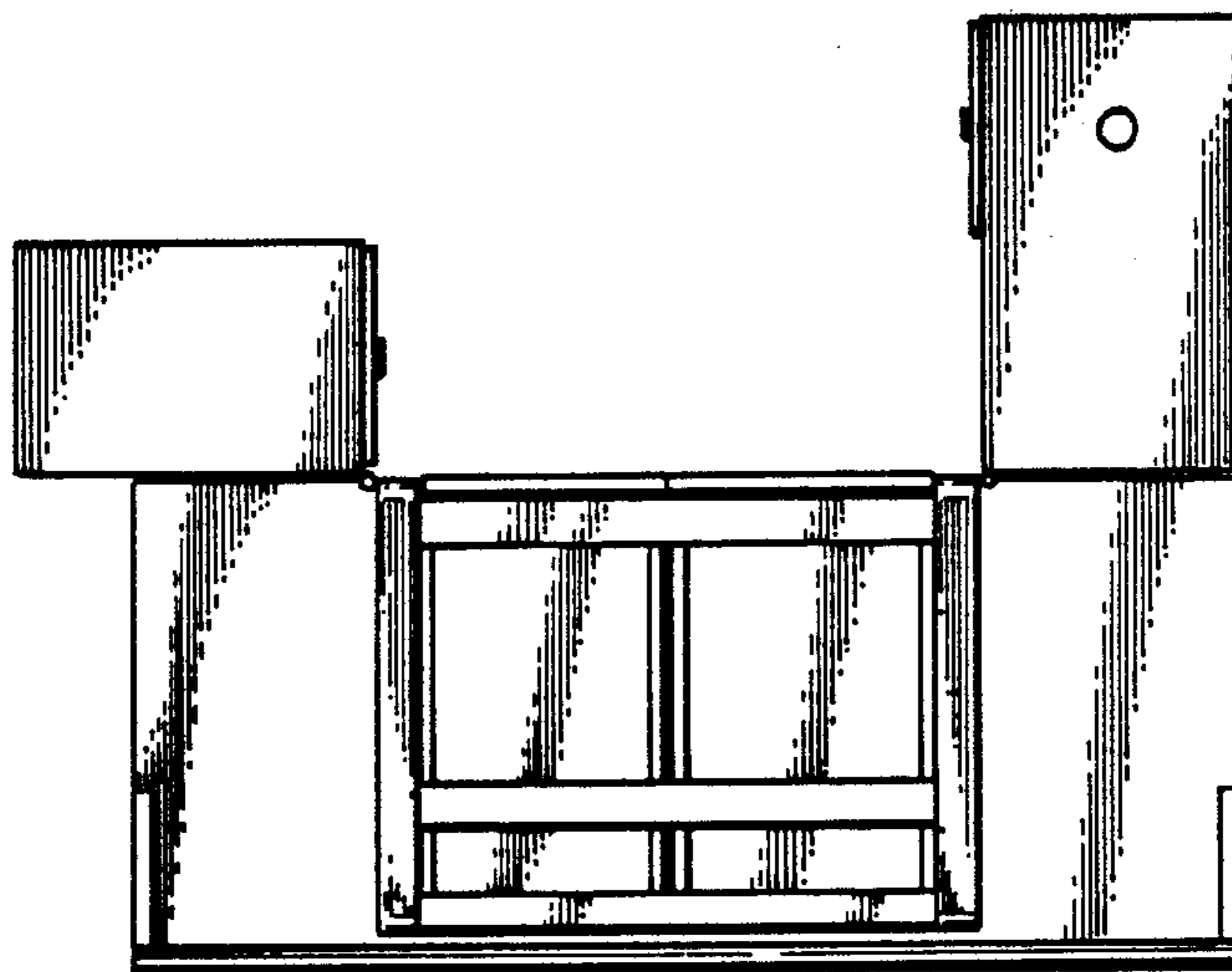


FIG. 7