

[54] **DUMBBELL RACK**

[76] **Inventor: Douglas P. Green, 2016 Yorktown Ct. South, League City, Tex. 77573**

[**] **Term: 14 Years**

[21] **Appl. No.: 788,016**

[22] **Filed: Oct. 17, 1985**

[52] **U.S. Cl. D6/468**

[58] **Field of Search D6/462, 464, 463, 465, D6/466, 467, 468; 272/173; 211/70.6, 44, 60.1, 198, 128; D21/197**

[56] **References Cited**

U.S. PATENT DOCUMENTS

1,747,973	2/1930	Hall et al.	211/70.6
2,579,704	12/1951	Saul, Jr.	211/128
4,201,380	5/1980	Birch	272/123
4,330,665	5/1982	Haddad	211/70.5

OTHER PUBLICATIONS

Marcy Gym Equipment p. 55; Rack No. 215-4, top of page.

Primary Examiner—Carmen H. Vales
Attorney, Agent, or Firm—William D. Zahrt, II

[57] **CLAIM**

The ornamental design for a dumbbell rack, or the like, substantially as shown and described.

DESCRIPTION

FIG. 1 is a front elevational view of a dumbbell rack showing my new design;
 FIG. 2 is a top plan view thereof;
 FIG. 3 is a left side elevational view thereof;
 FIG. 4 is a right side elevational view thereof;
 FIG. 5 is a bottom plan view thereof;
 FIG. 6 is a front elevational view of a modified embodiment of the dumbbell rack shown in FIG. 1;
 FIG. 7 is a top plan view thereof;
 FIG. 8 is a left side elevational view thereof;
 FIG. 9 is a right side elevational view thereof; and
 FIG. 10 is a bottom plan view thereof.

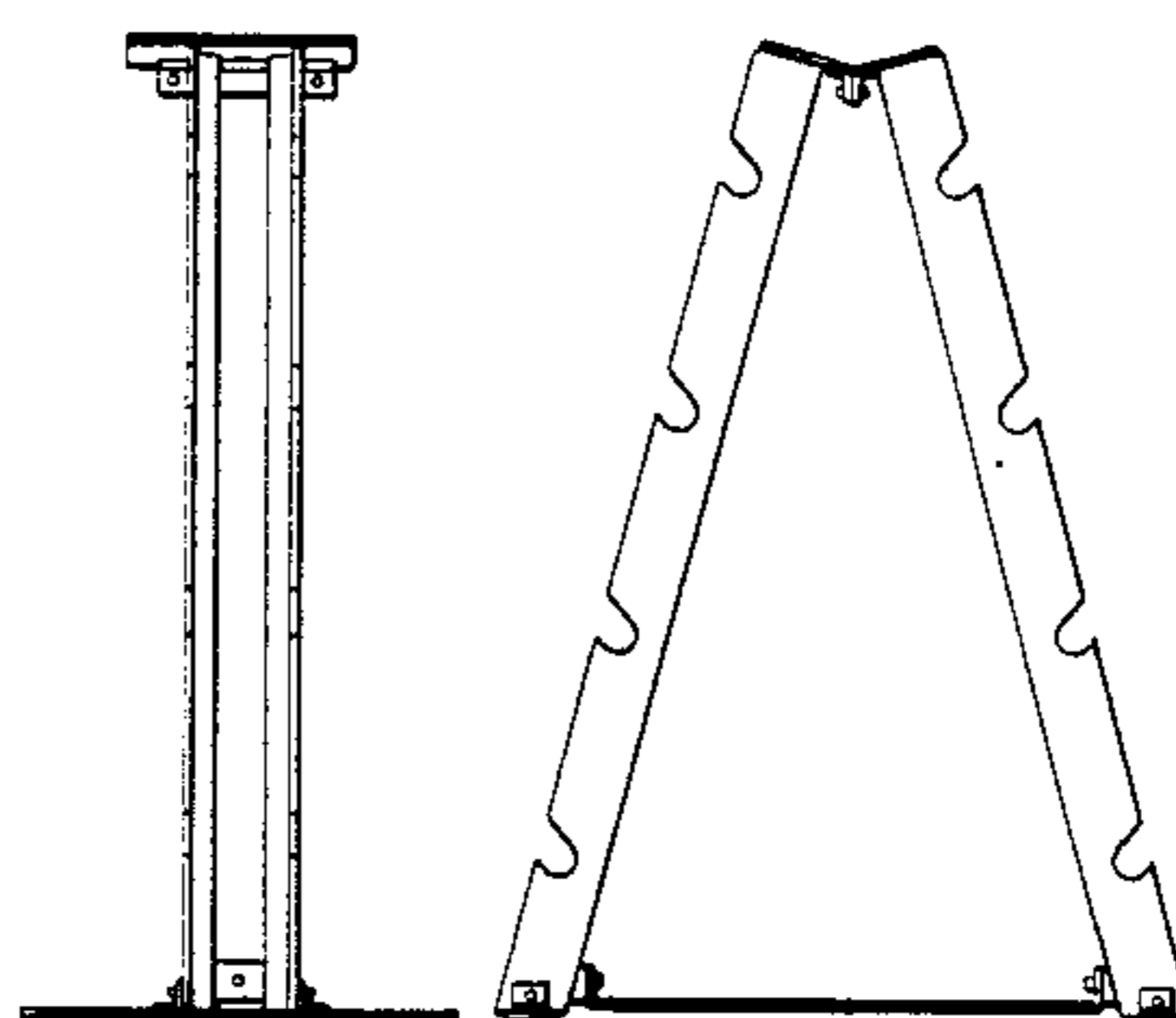
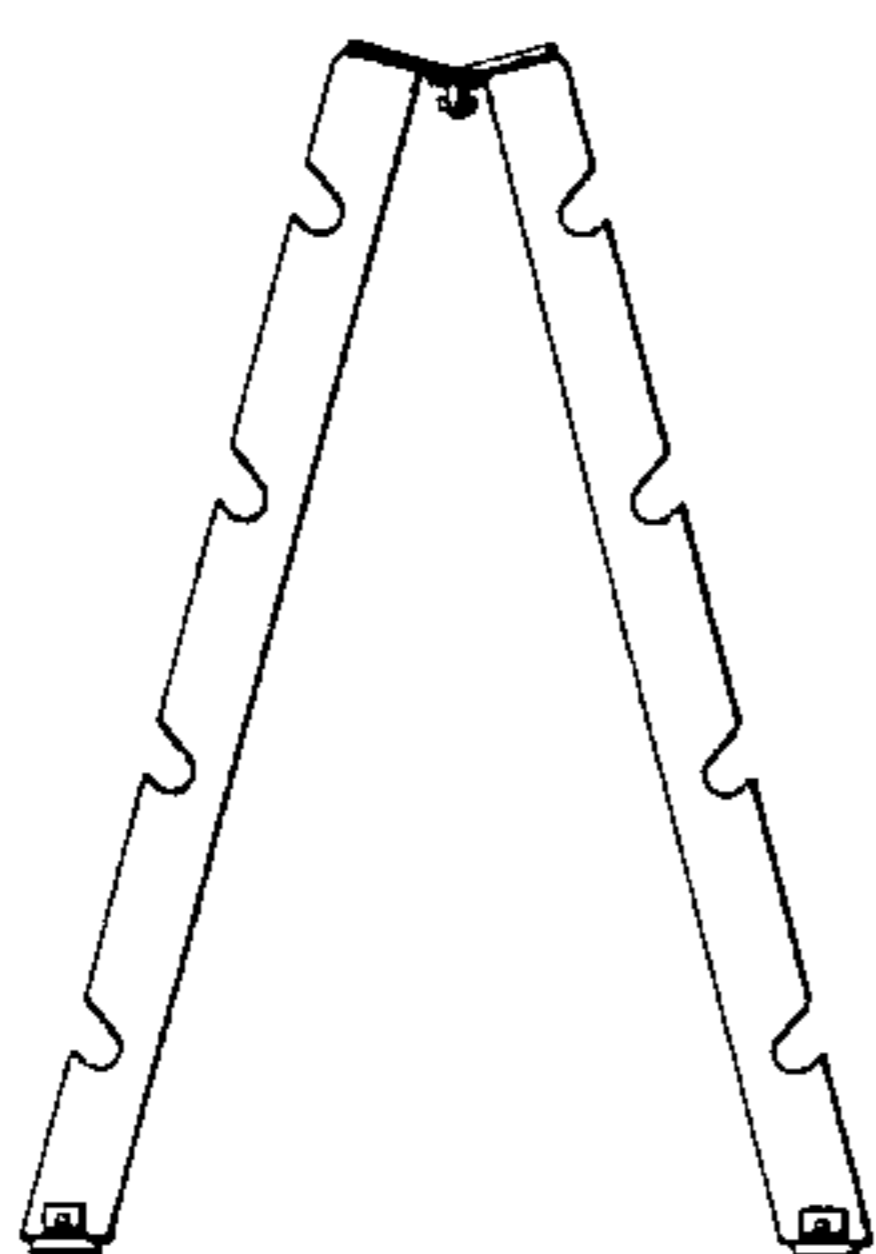
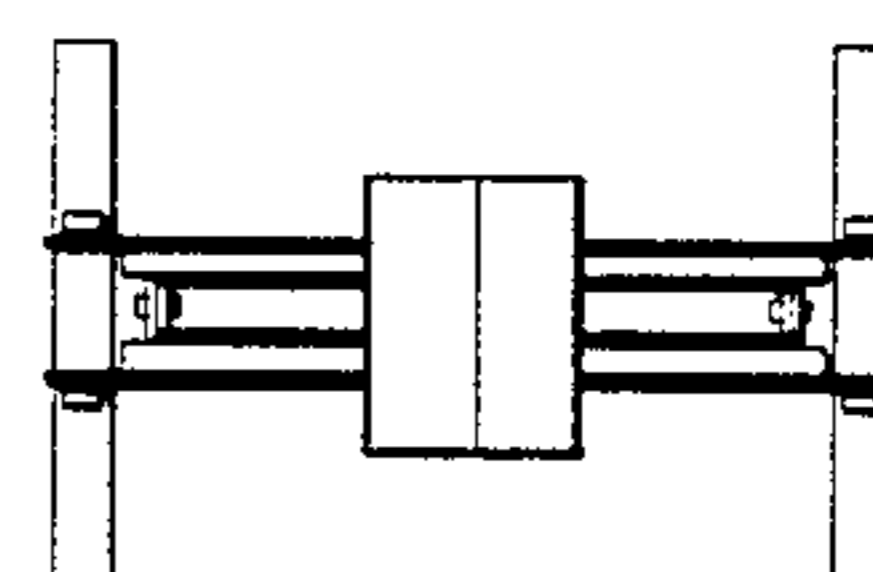
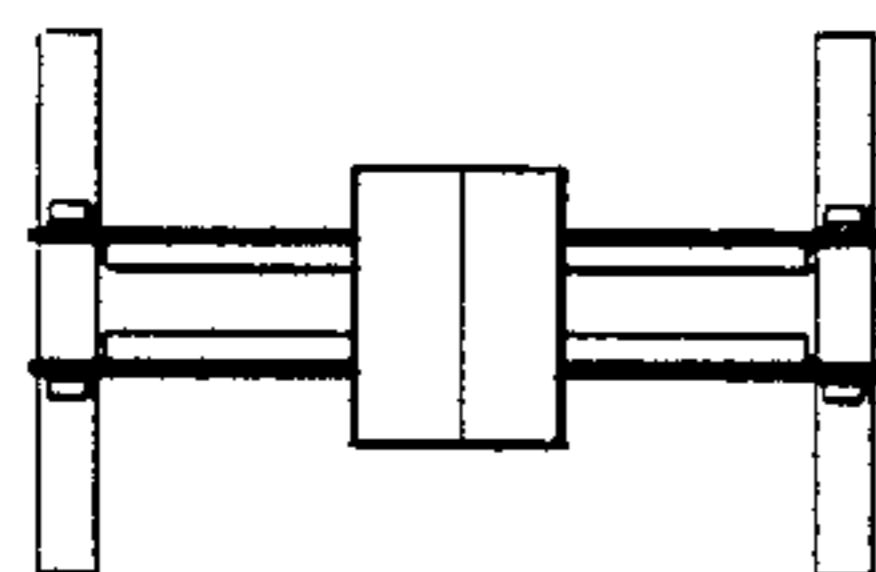


FIG. 2

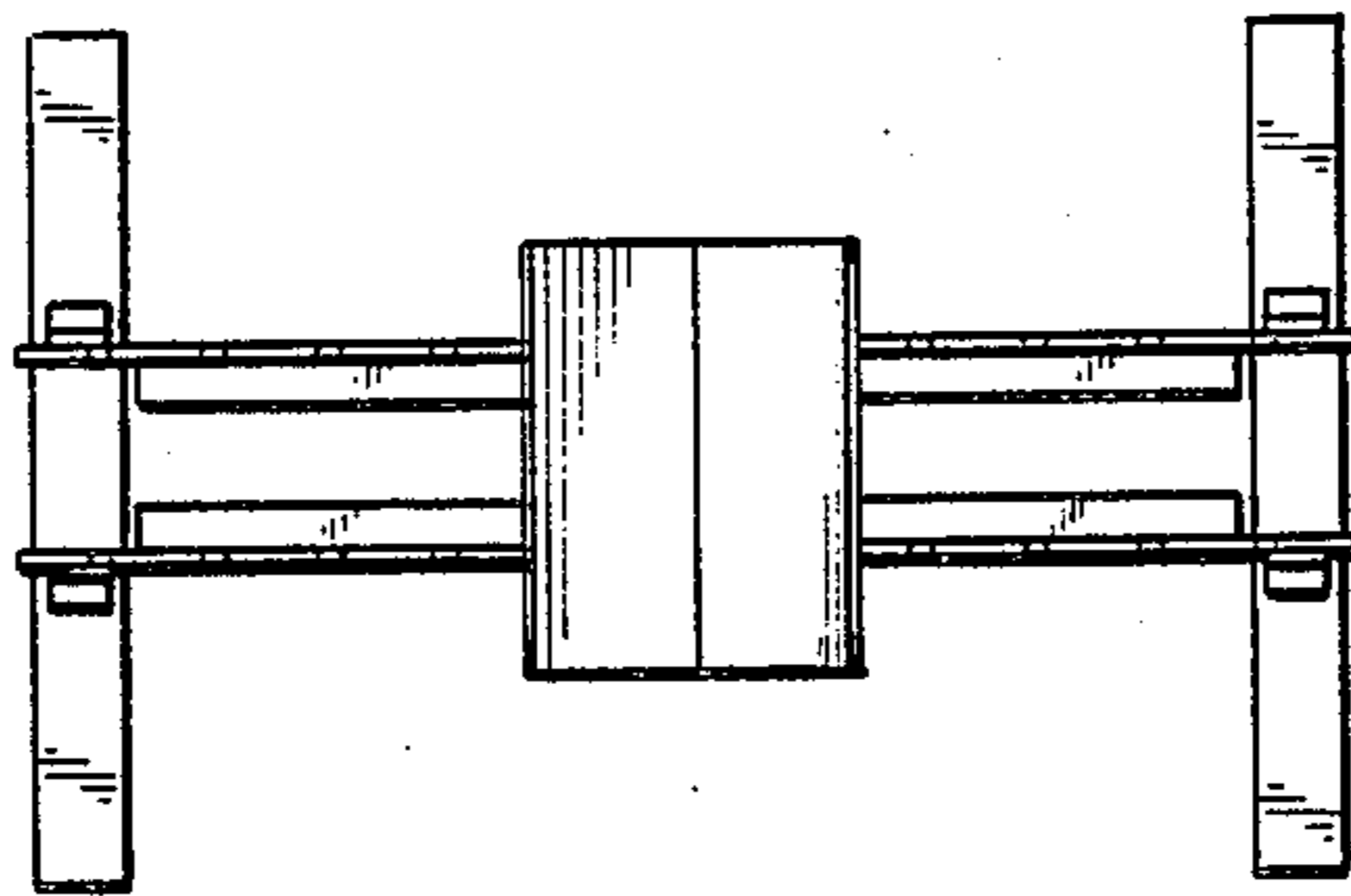


FIG. 1

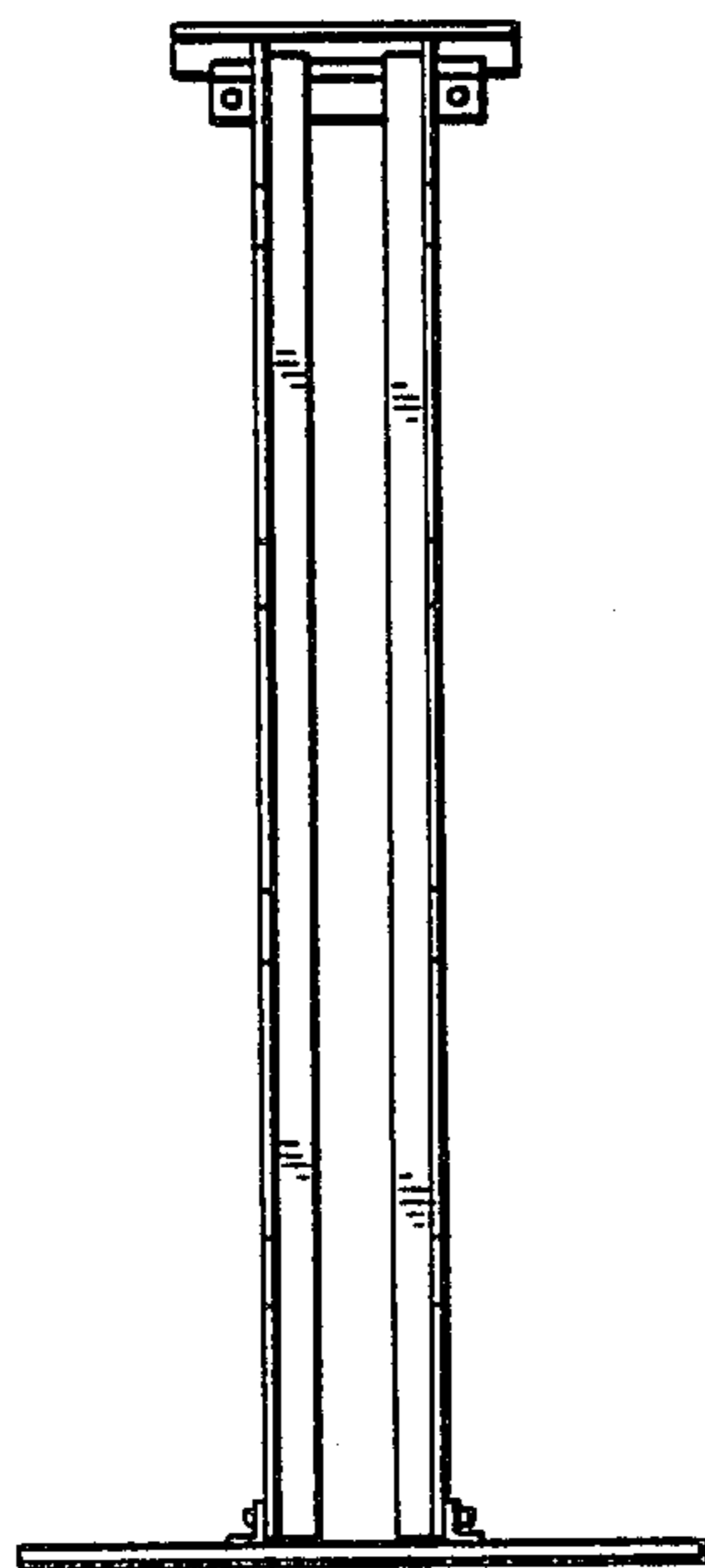


FIG. 3

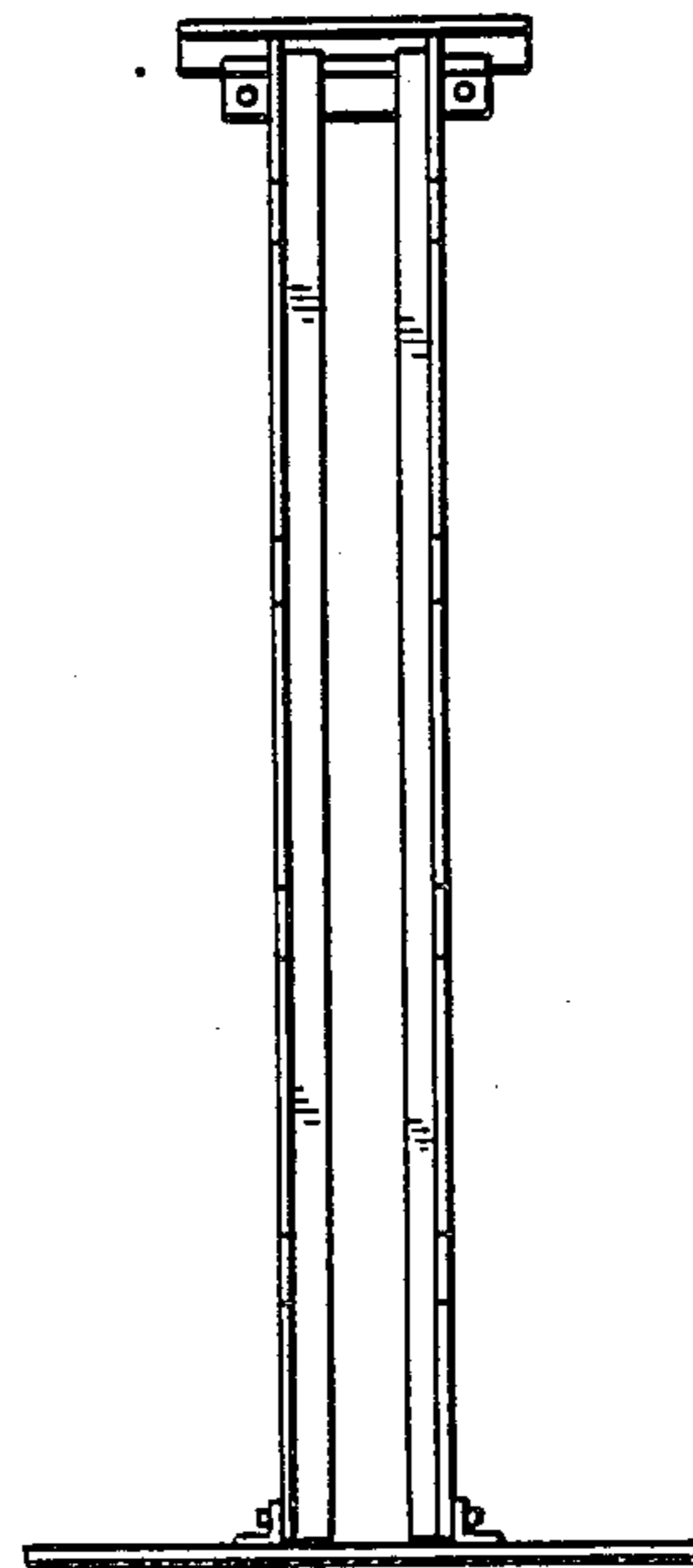
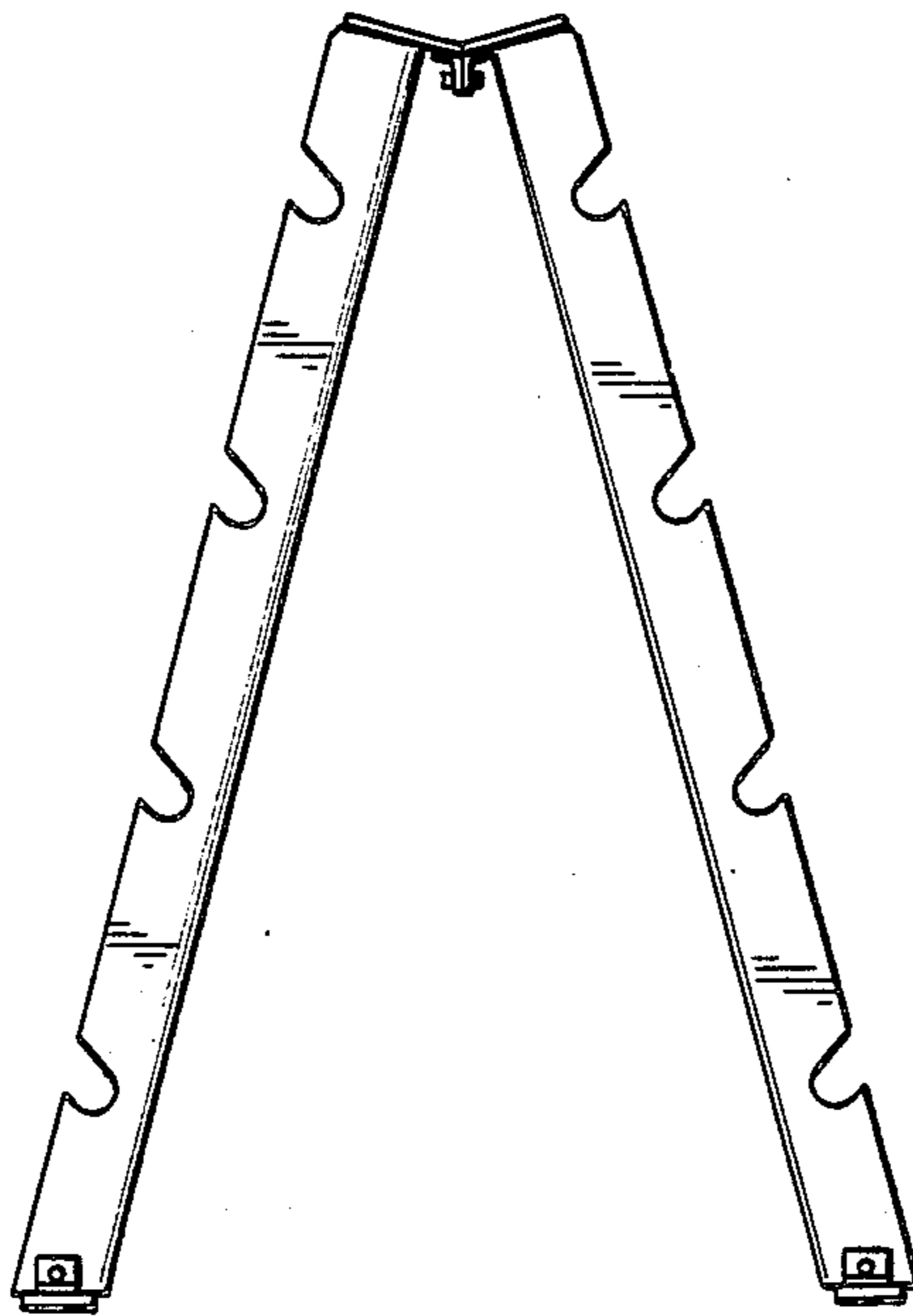


FIG. 4

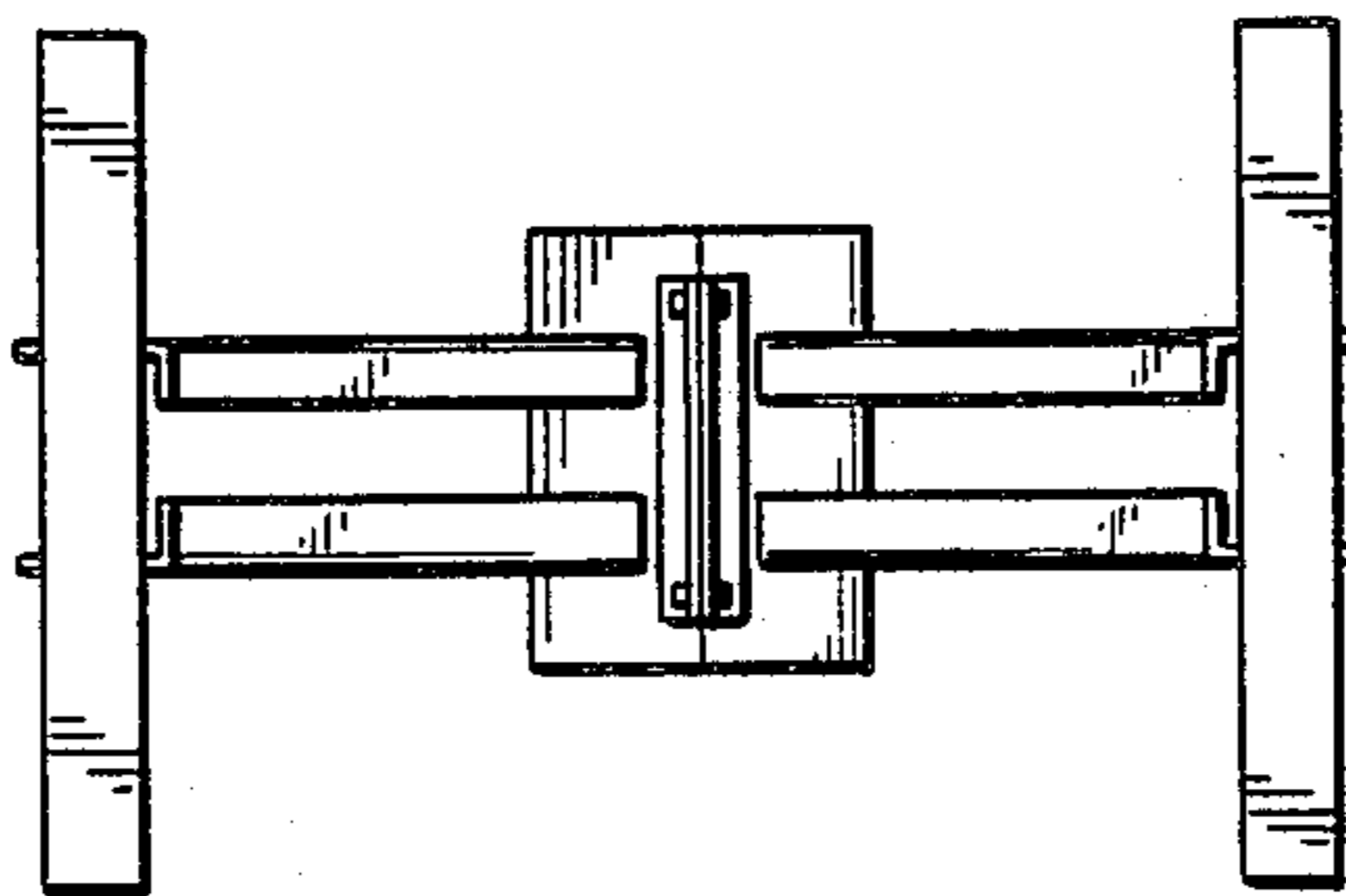


FIG. 5

FIG. 7

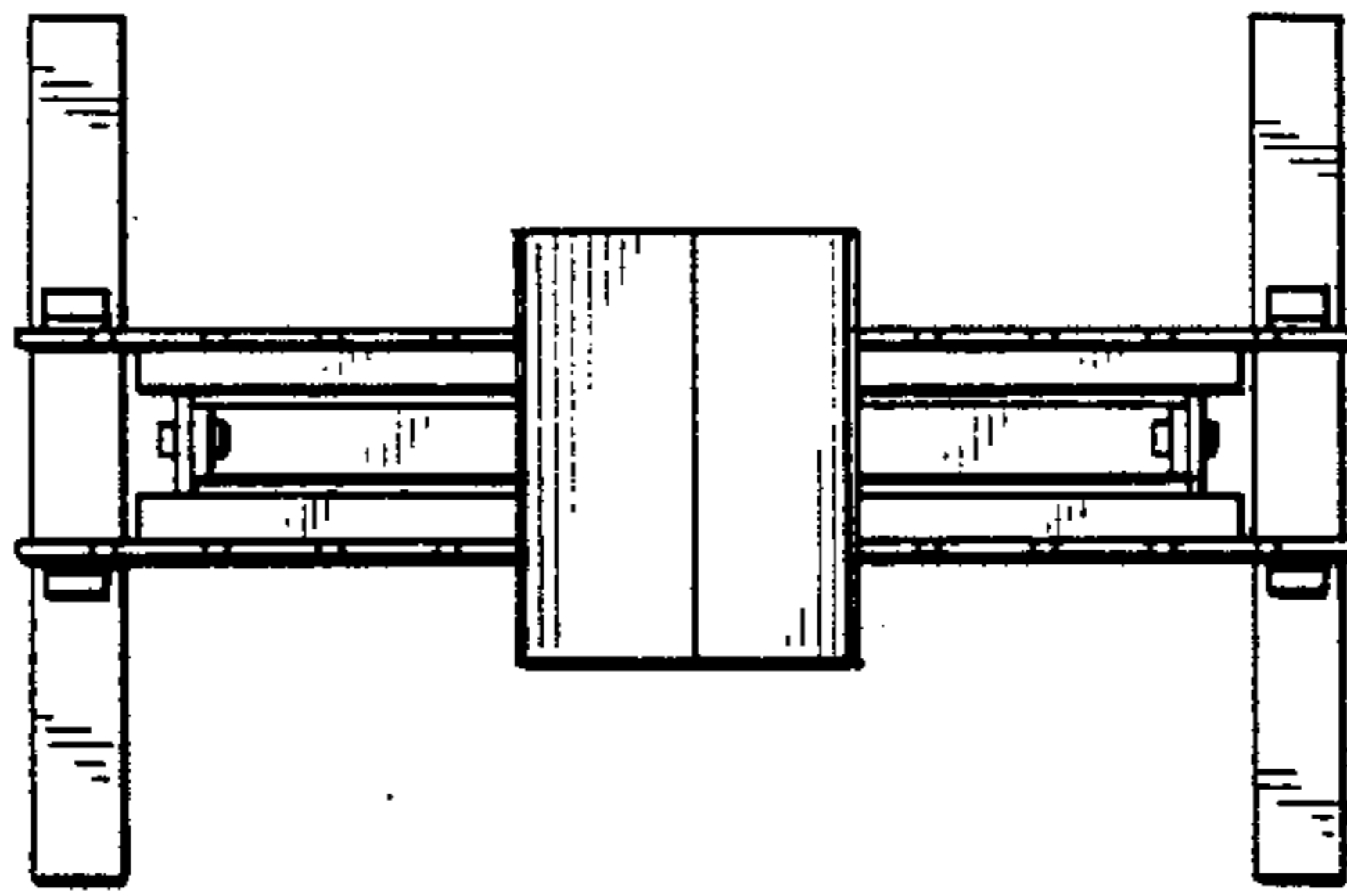


FIG. 6

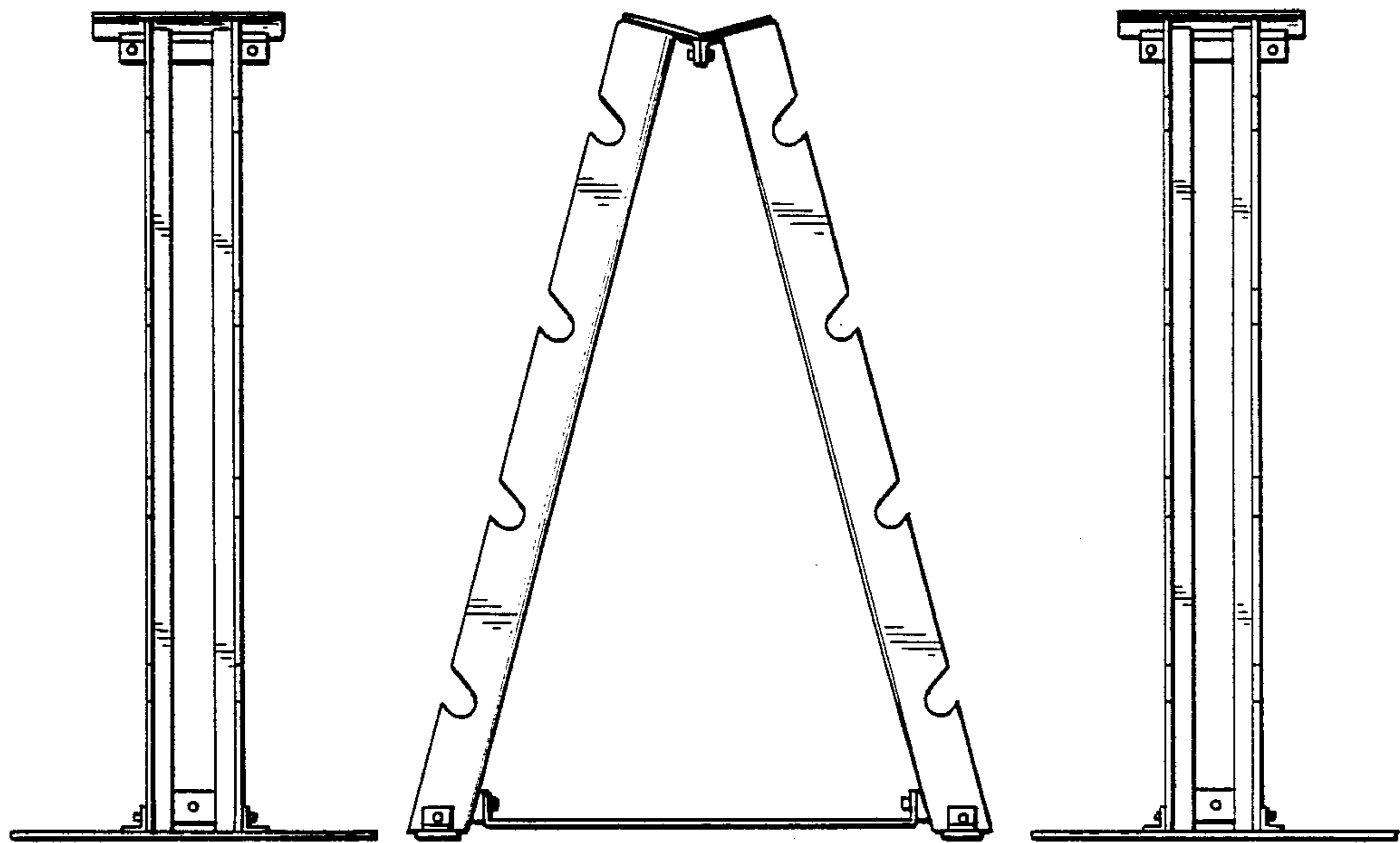


FIG. 8

FIG. 9

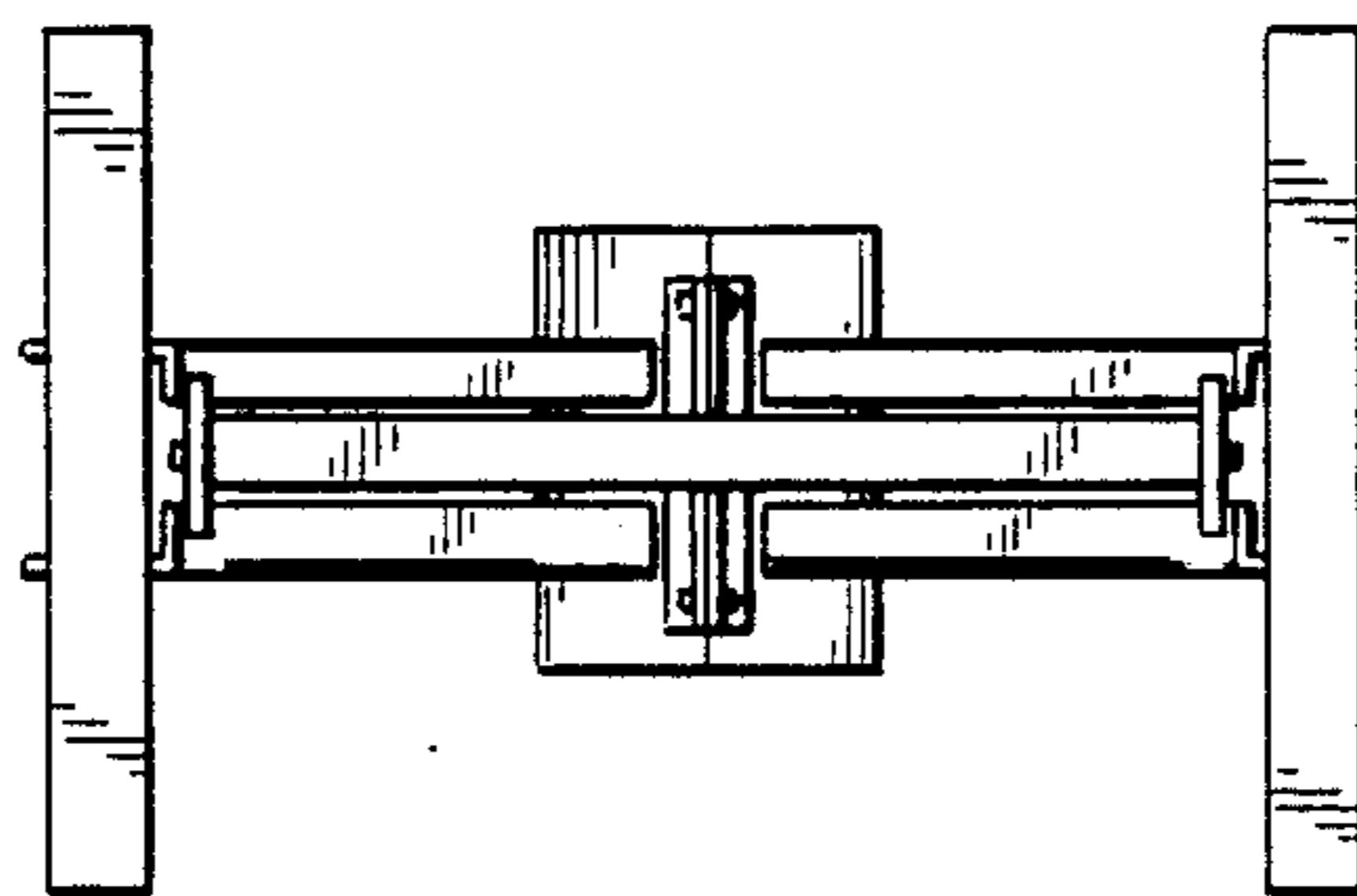


FIG. 10