

[54] **RECIPE HOLDER**

[76] **Inventor:** Sarah Stocker, 707 S. Broadway,
Yorktown, Ind. 47396

[**] **Term:** 14 Years

[21] **Appl. No.:** 762,298

[22] **Filed:** Aug. 5, 1985

[52] **U.S. Cl.** D6/513; D19/76

[58] **Field of Search** D6/513, 563, 573;
D19/76, 75, 86; 312/245; 40/377; 402/73-75,
36, 42

[56] **References Cited**

U.S. PATENT DOCUMENTS

D. 218,542 8/1970 Neilsen D19/76
D. 237,172 10/1975 Hegemann D19/76

D. 248,964 8/1978 Kizlauskas D19/76
3,260,006 7/1966 Dunajew 40/377
4,594,016 6/1986 Husbands 312/245

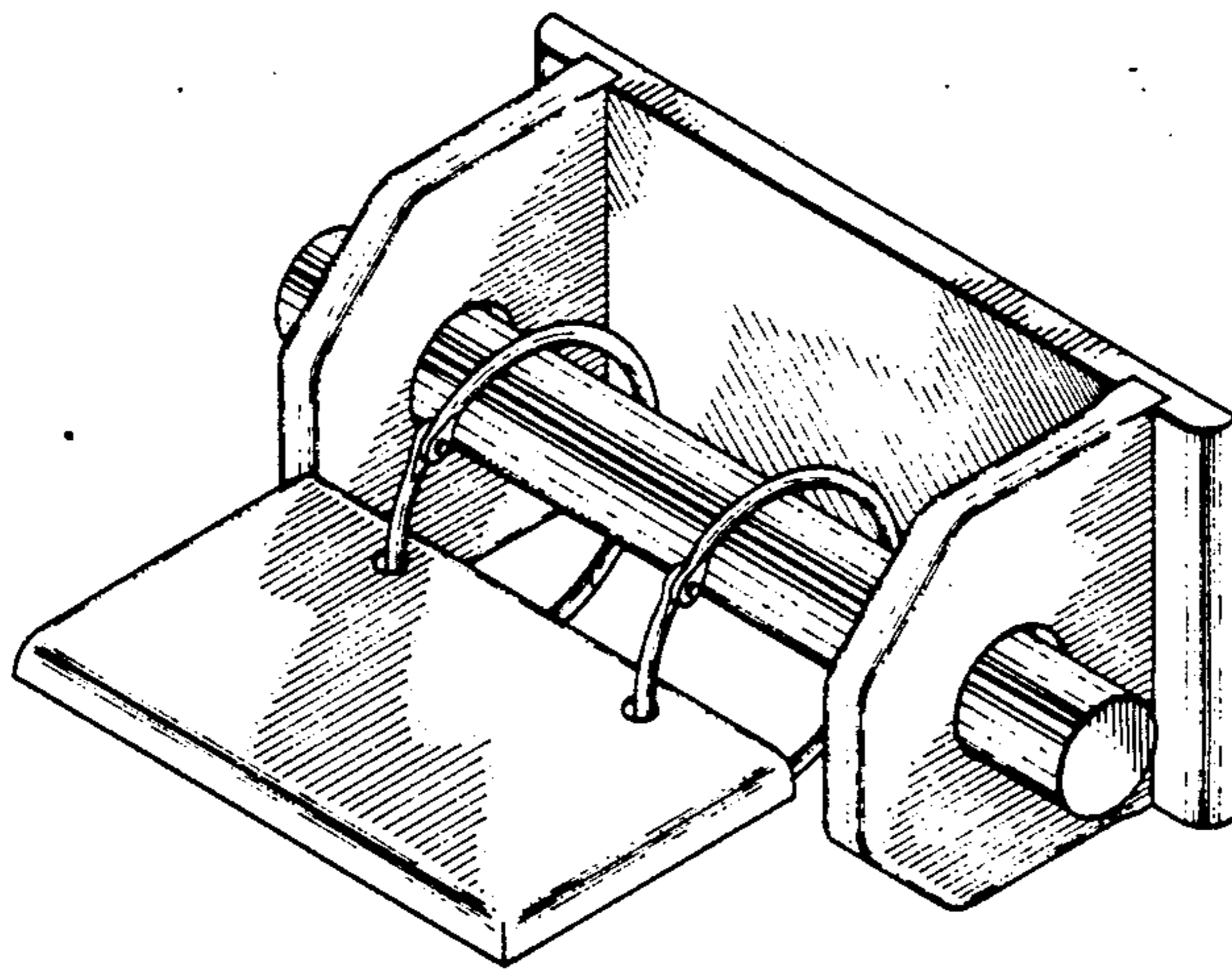
Primary Examiner—B. J. Bullock
Attorney, Agent, or Firm—J. David Haymes

[57] **CLAIM**

The ornamental design for a recipe holder, as shown.

DESCRIPTION

FIG. 1 is a perspective view of a recipe holder, showing my new design;
FIG. 2 is a side view taken from the right of FIG. 1;
FIG. 3 is a side view taken from the left of FIG. 1;
FIG. 4 is a front view thereof;
FIG. 5 is a rear view thereof;
FIG. 6 is a bottom view thereof;
FIG. 7 is a top view thereof.



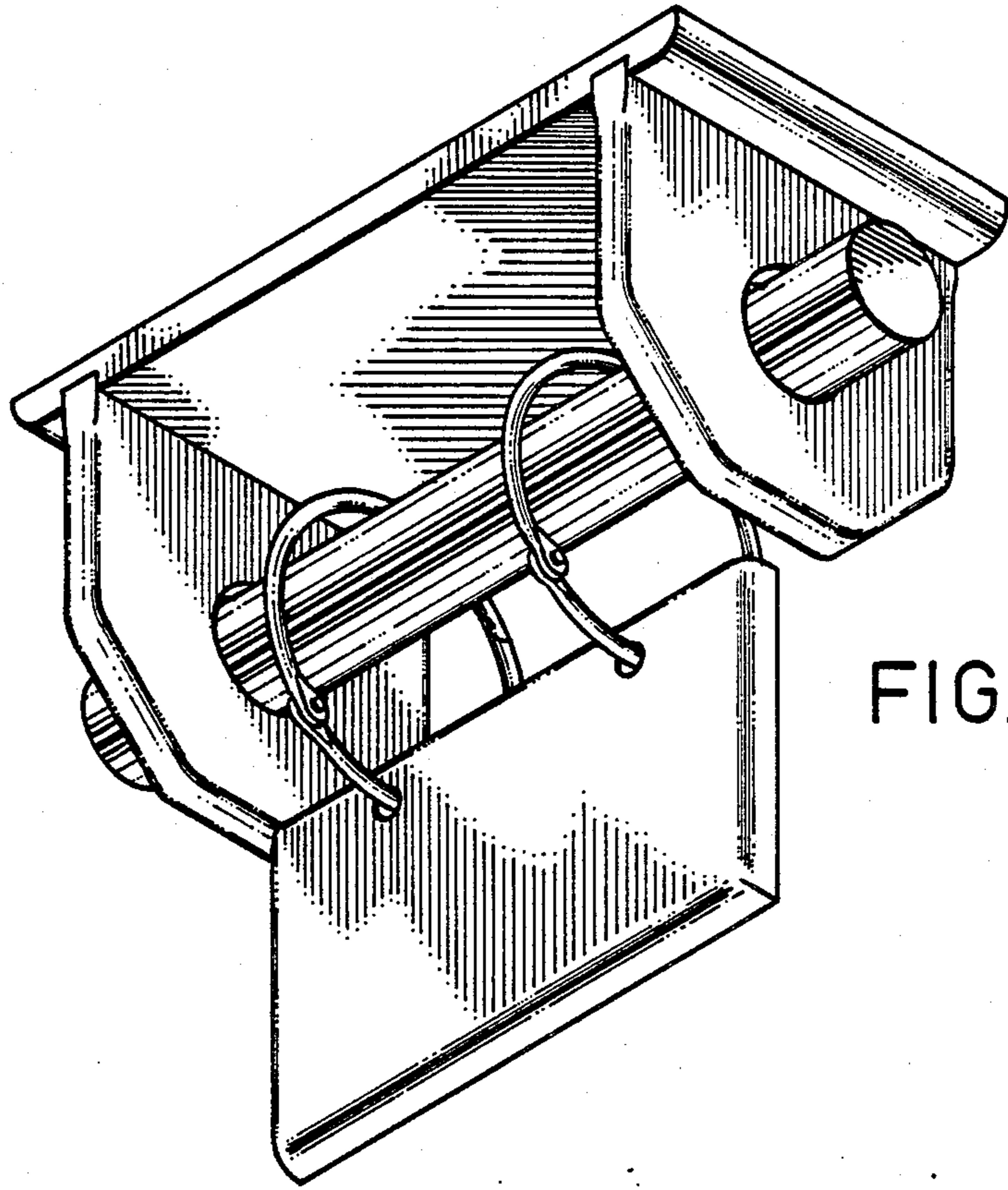


FIG. 1

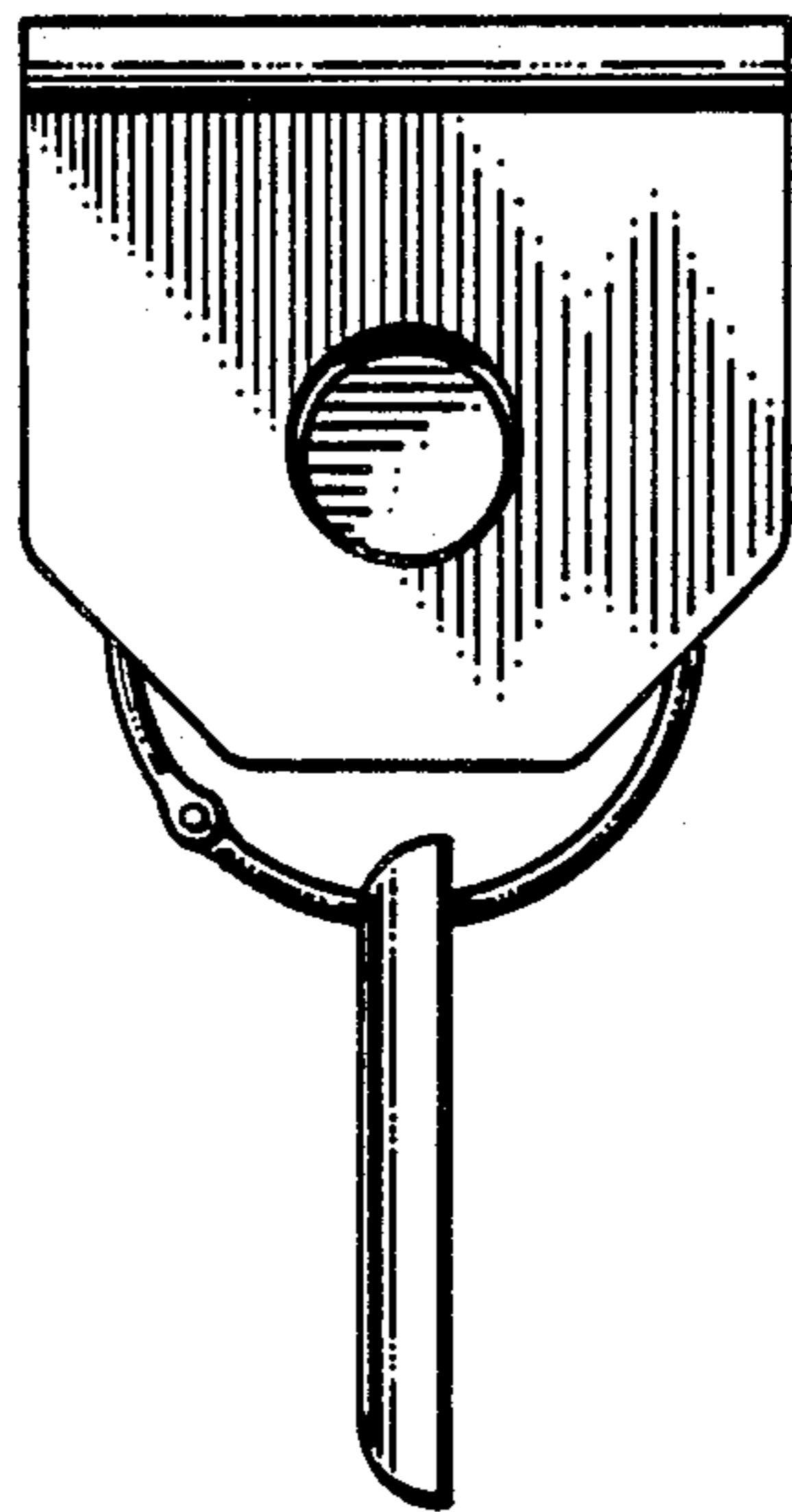


FIG. 2

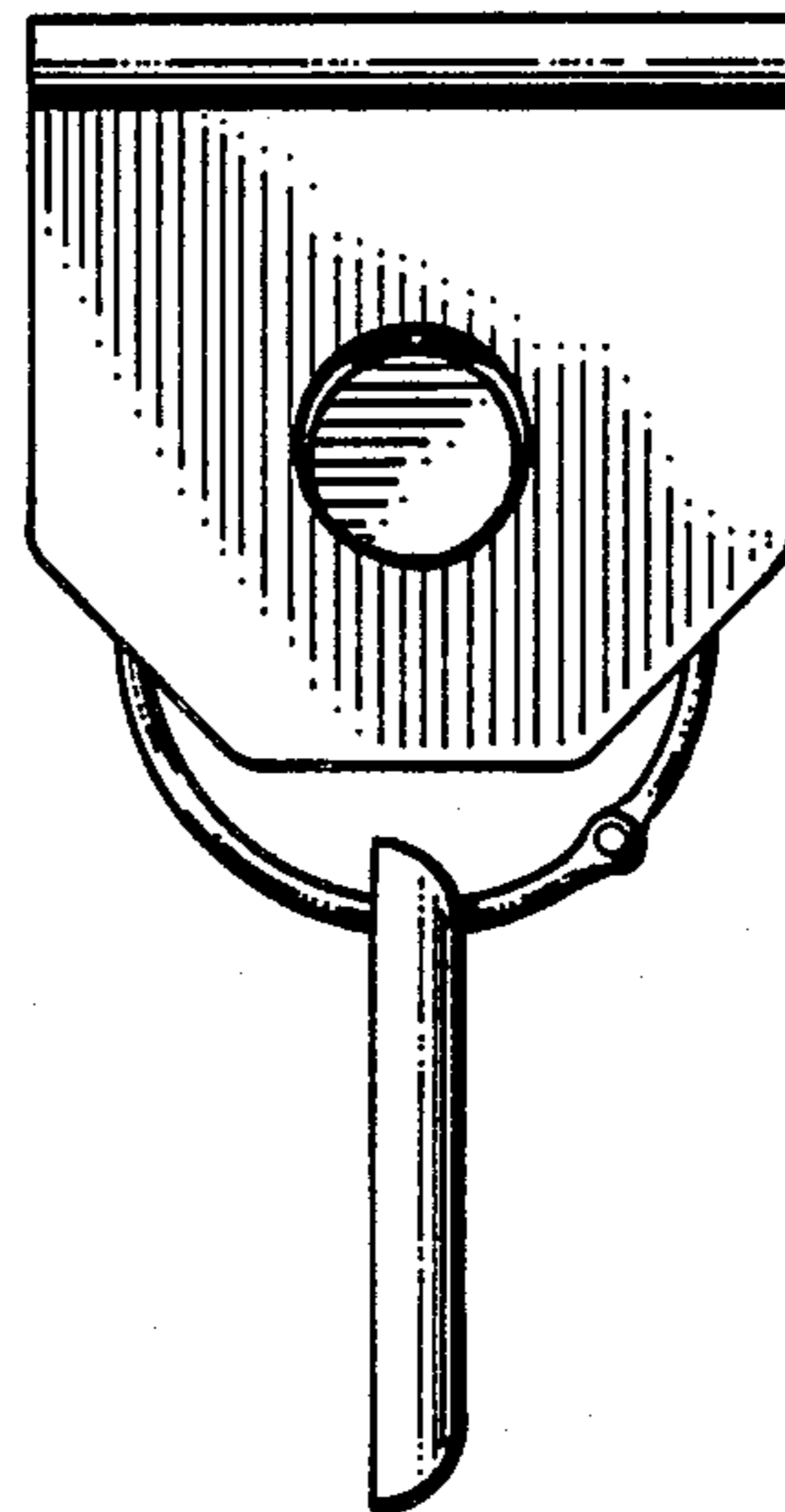


FIG. 3

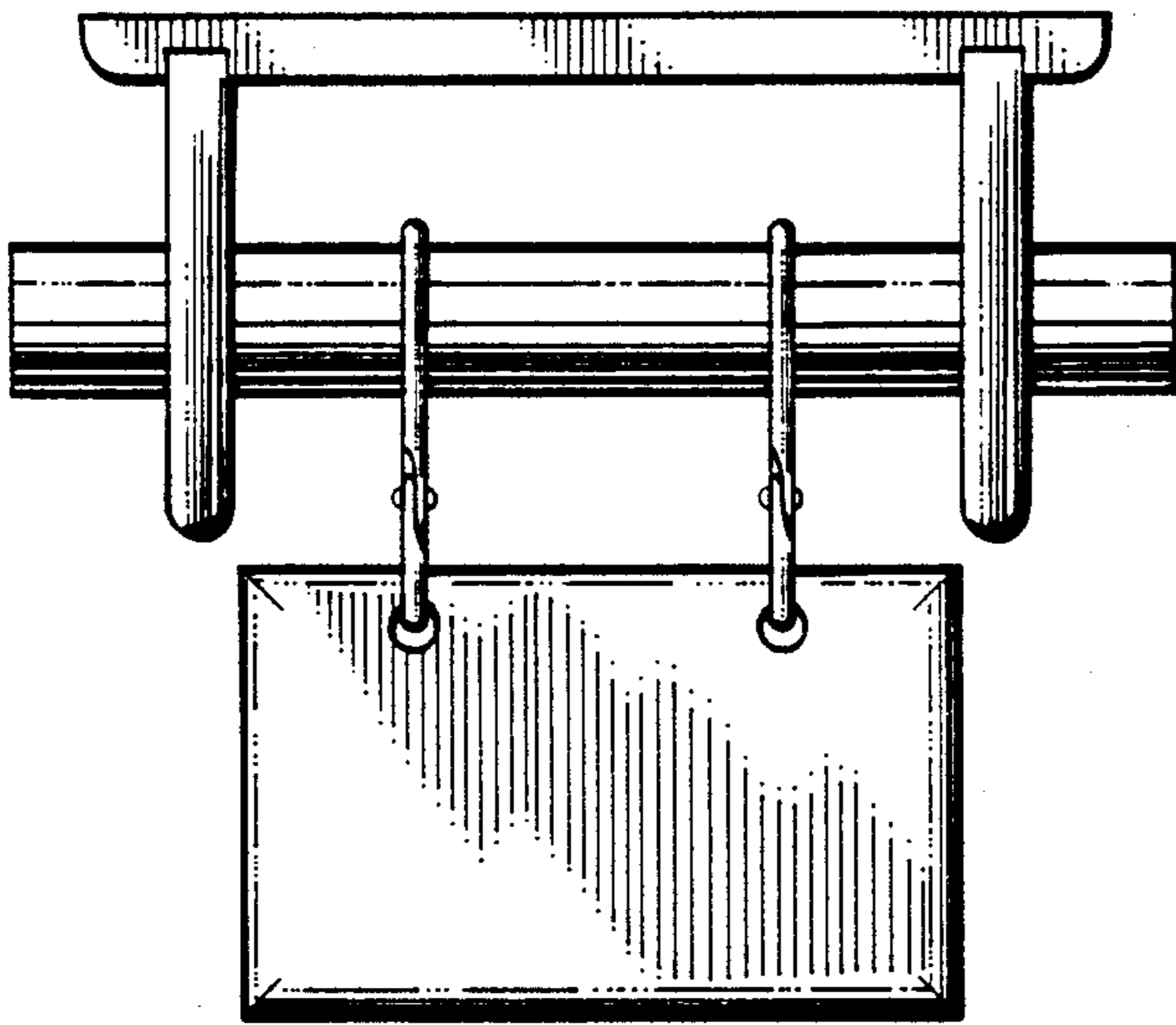


FIG. 4

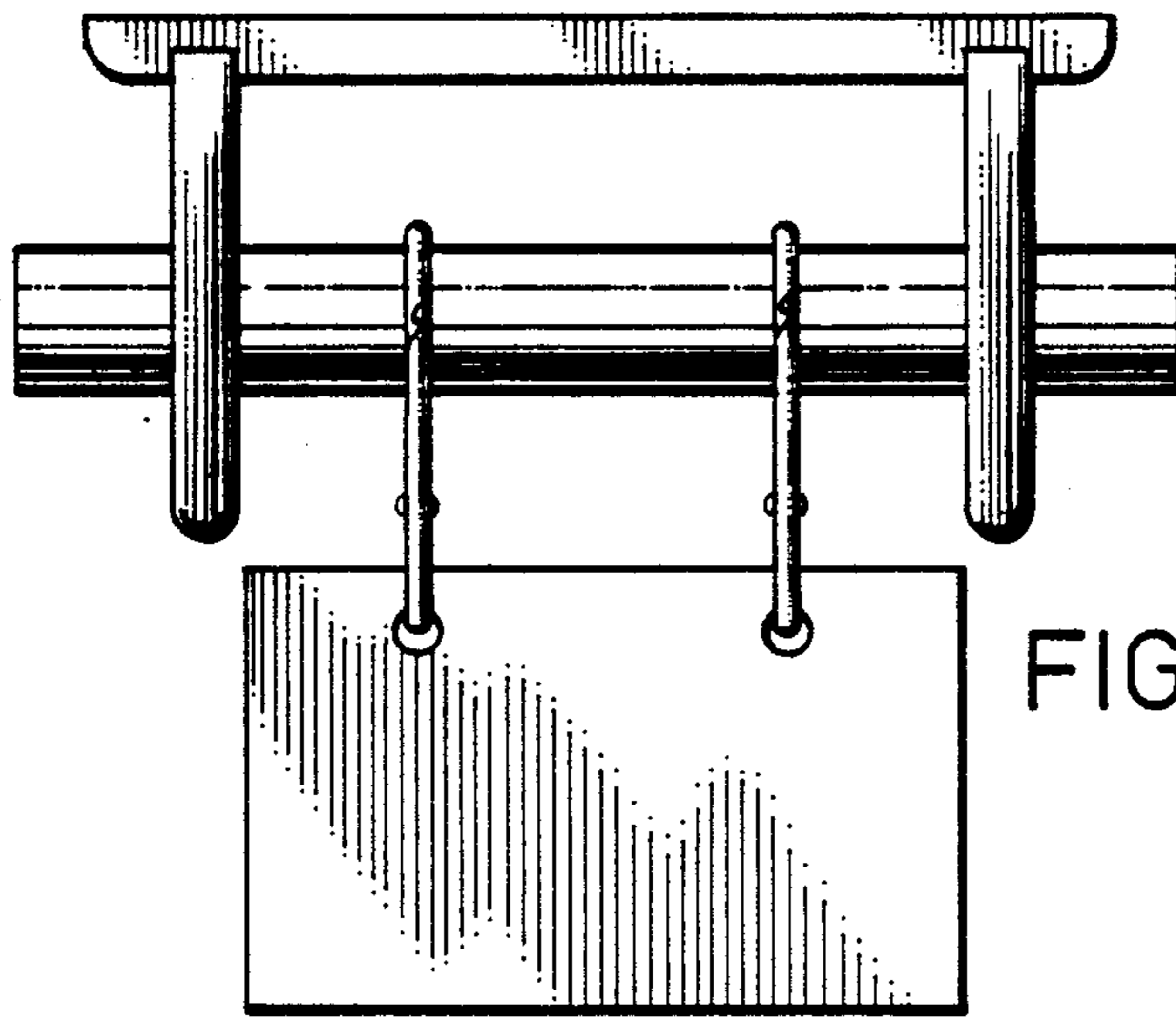


FIG. 5

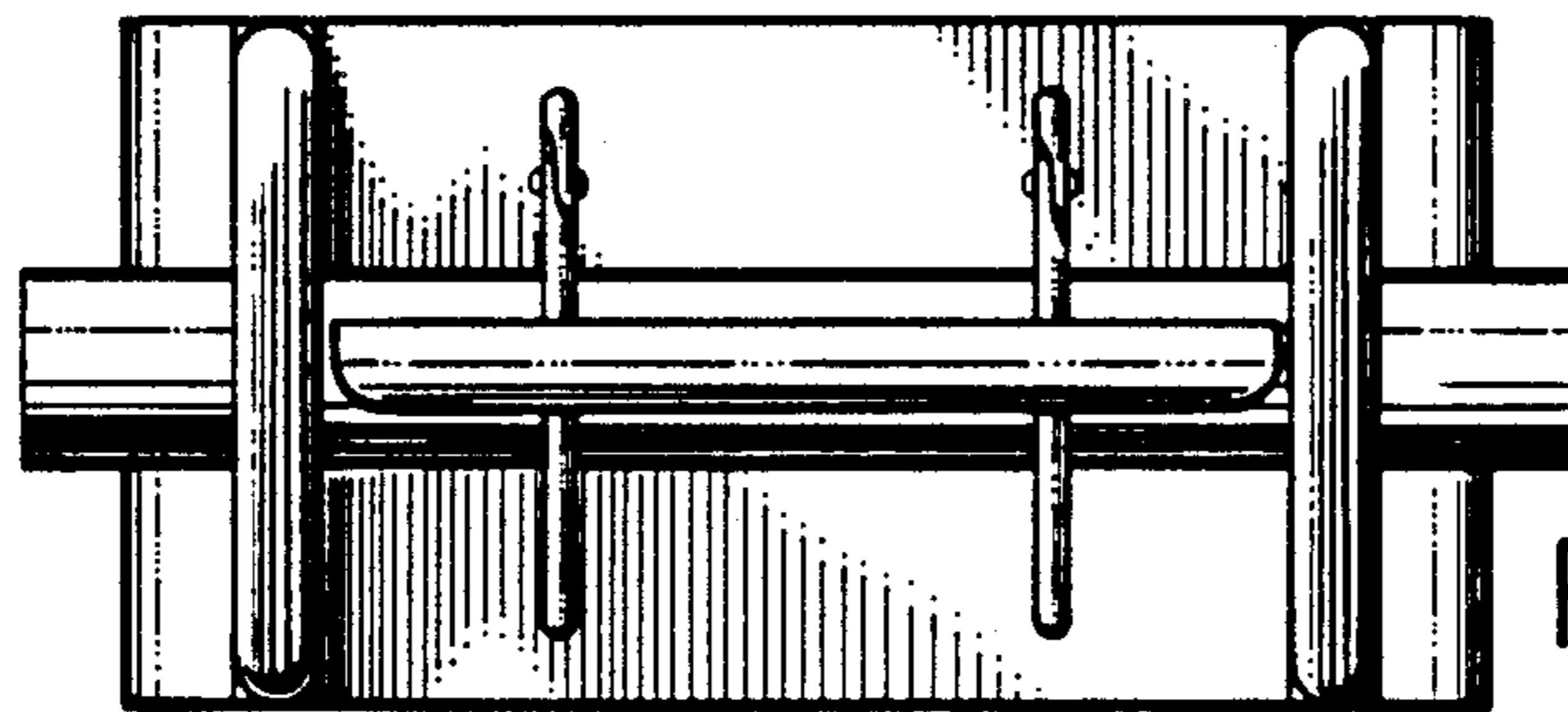


FIG. 6

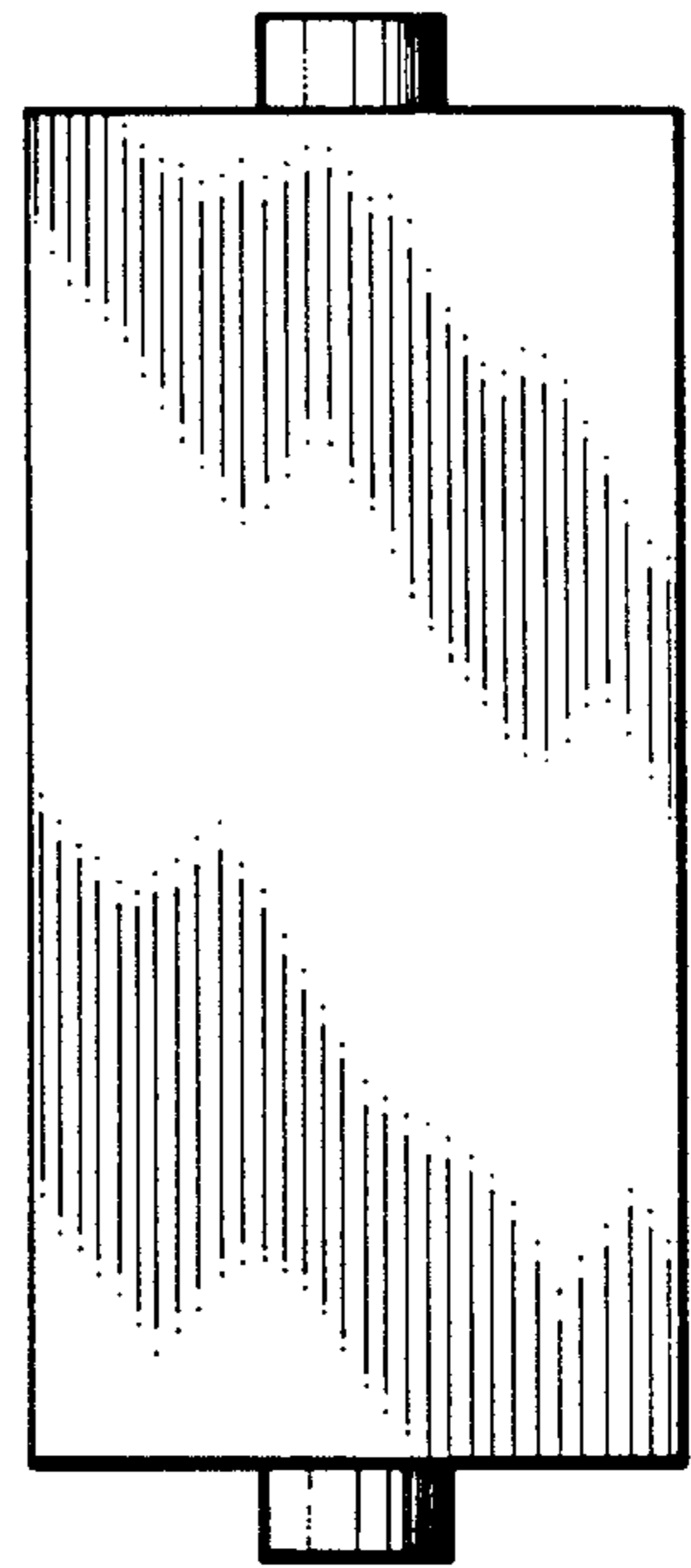


FIG. 7