

[54] TABLE TOP

[75] Inventor: Herbert Abraham, Suffern, N.Y.

[73] Assignee: Hill Manufacturing Corp.,  
Newburgh, N.Y.

[\*\*] Term: 14 Years

[21] Appl. No.: 803,883

[22] Filed: Nov. 8, 1985

[52] U.S. Cl. .... D6/511; D6/486

[58] Field of Search ..... D6/449, 480, 484, 486,  
D6/487, 488

[56] References Cited

U.S. PATENT DOCUMENTS

D. 225,938	1/1973	Kienel	.....	D6/486
D. 253,925	1/1980	Keller	.....	D6/486
D. 279,634	7/1985	Platner	.....	D6/486 X
D. 287,555	1/1987	Bickle	.....	D6/486

OTHER PUBLICATIONS

Design Institute of America, ©1983, Table Sect., Table No. 1160-PF.

Primary Examiner—Bruce W. Dunkins  
Attorney, Agent, or Firm—Hopgood, Calimafde, Kalil,  
Blaustein & Judlowe

[57] CLAIM

The ornamental design for a table top, as shown and described.

DESCRIPTION

FIG. 1 is a perspective view of a table top showing my design;

FIG. 2 is a side elevational view, the opposite side being substantially the same in appearance;

FIG. 3 is a top plan view;

FIG. 4 is an enlarged fragmentary sectional view of an edge of the table top taken along line 4—4 in FIG. 3; and

FIG. 5 is an enlarged fragmentary sectional view of an edge of the table top taken along line 5—5 in FIG. 3.

The base depicted by means of broken lines in FIGS. 1, 2 and 3 has been shown for illustrative purposes only.

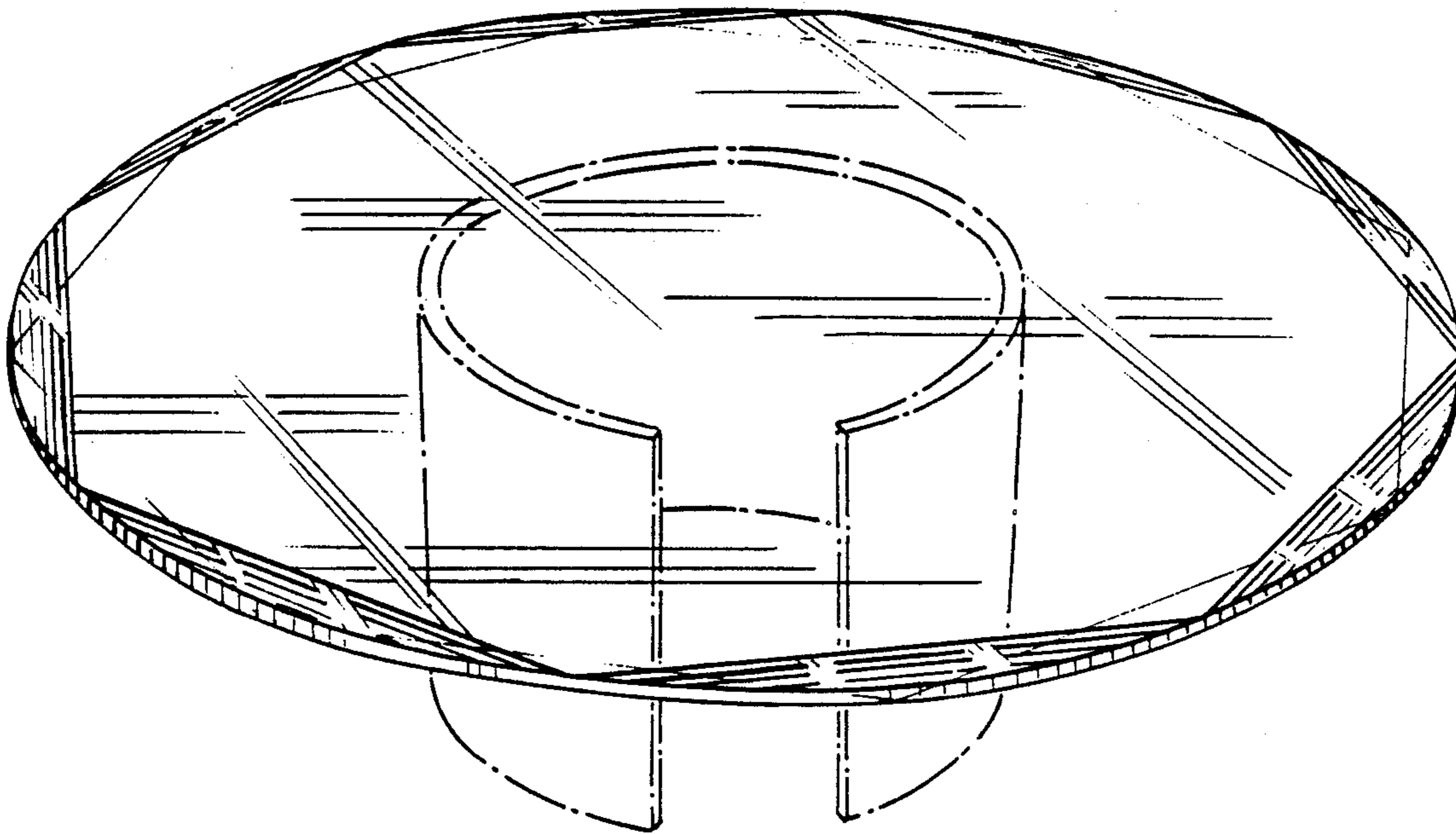


Fig. 1.

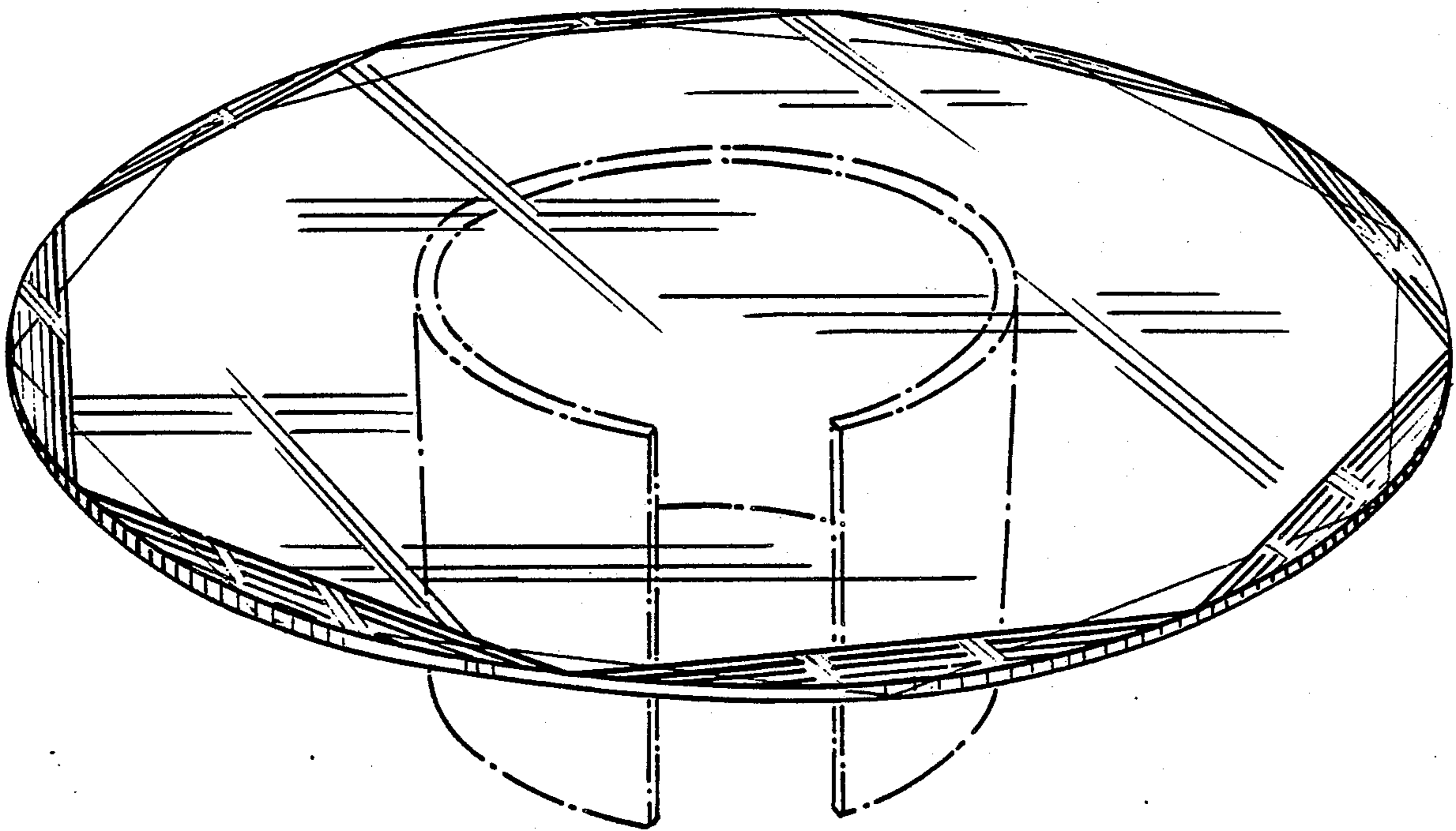


Fig. 4.



Fig. 5.



Fig. 2.

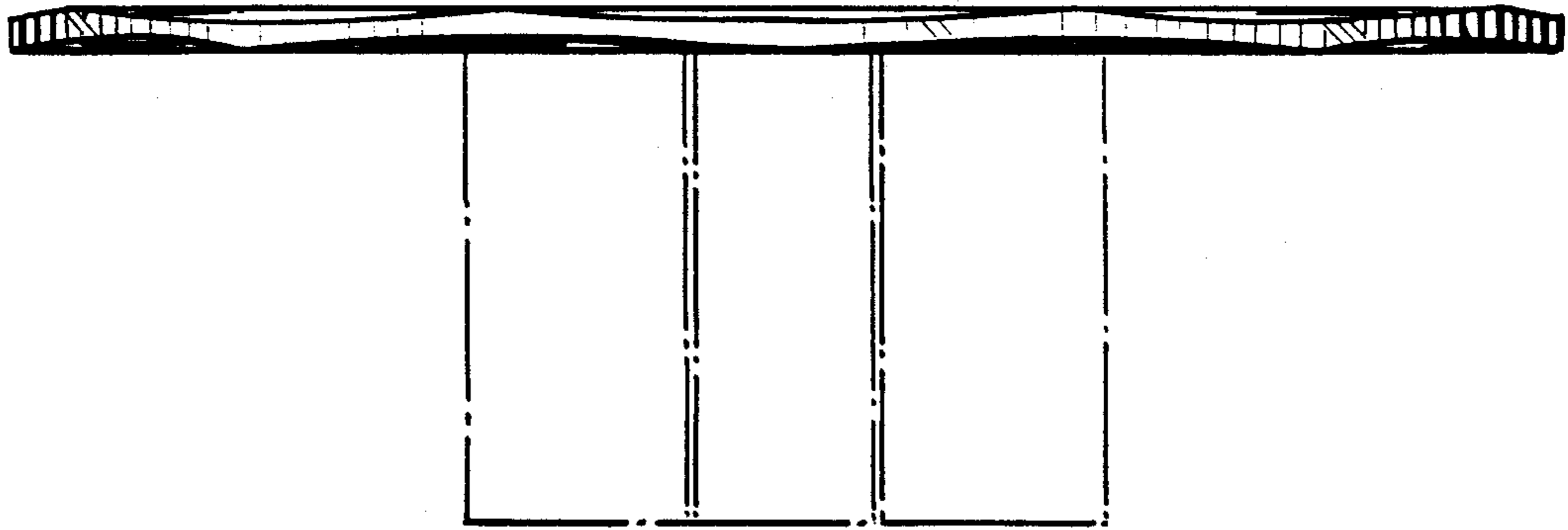


Fig. 3.

