

[54] **JACK**
[75] **Inventor: Michael Hung, Taipei, Taiwan**
[73] **Assignee: Shinn Fu Corporation, Taipei, Taiwan**
[**] **Term: 14 Years**
[21] **Appl. No.: 838,600**
[22] **Filed: Mar. 11, 1986**
[52] **U.S. Cl. D34/31**
[58] **Field of Search D34/28, 31; 254/8 B, 254/10 B, 2 B, 93 H**

4,635,902 1/1987 Chou D34/31

FOREIGN PATENT DOCUMENTS

1396043 5/1975 United Kingdom 254/8 B

Primary Examiner—James M. Gandy
Assistant Examiner—Kay H. Chin
Attorney, Agent, or Firm—Browdy and Neimark

[57] **CLAIM**

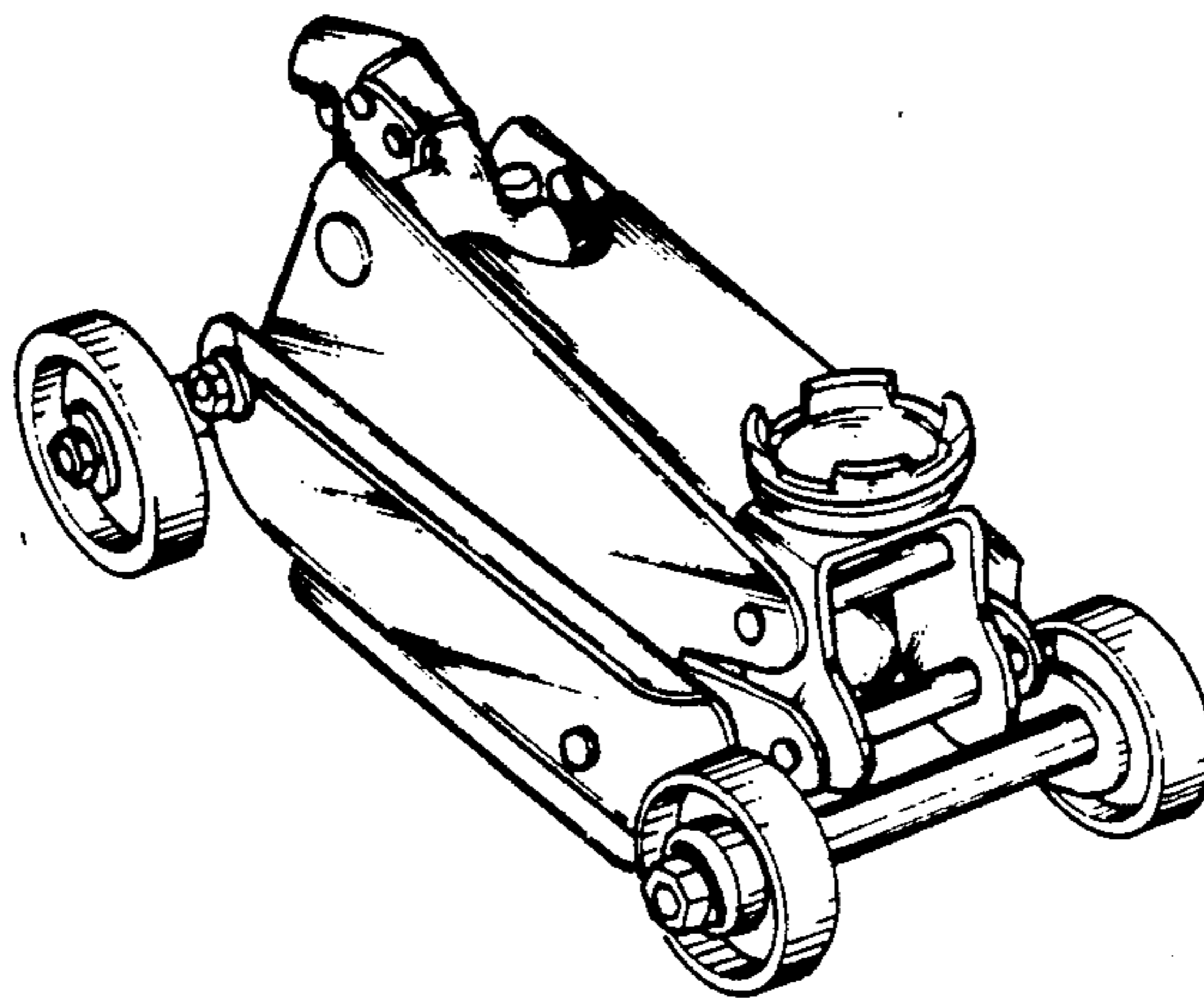
The ornamental design for a jack, as shown.

DESCRIPTION

FIG. 1 is a perspective view of a jack showing my new design;
FIG. 2 is a left side elevational view thereof;
FIG. 3 is a right side elevational view thereof;
FIG. 4 is a top plan view thereof;
FIG. 5 is a bottom plan view thereof;
FIG. 6 is a front elevational view thereof; and
FIG. 7 is a rear elevational view thereof.

[56] **References Cited**
U.S. PATENT DOCUMENTS

D. 245,493 8/1977 Kenig D34/31
D. 286,934 11/1986 Hung D34/31
4,018,421 4/1977 Tallman 254/8 B
4,277,048 7/1981 Okuda 254/2 B



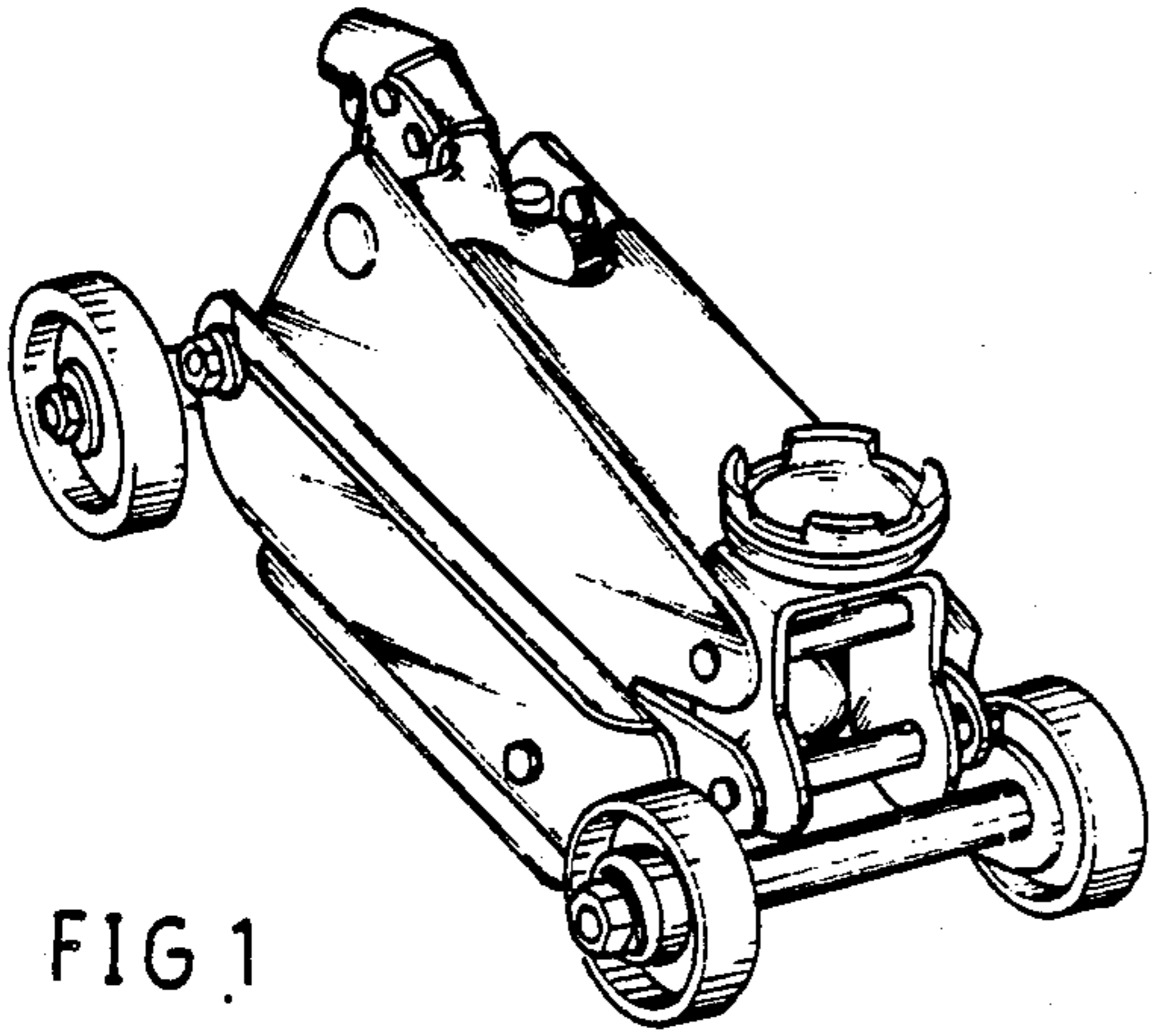


FIG. 1

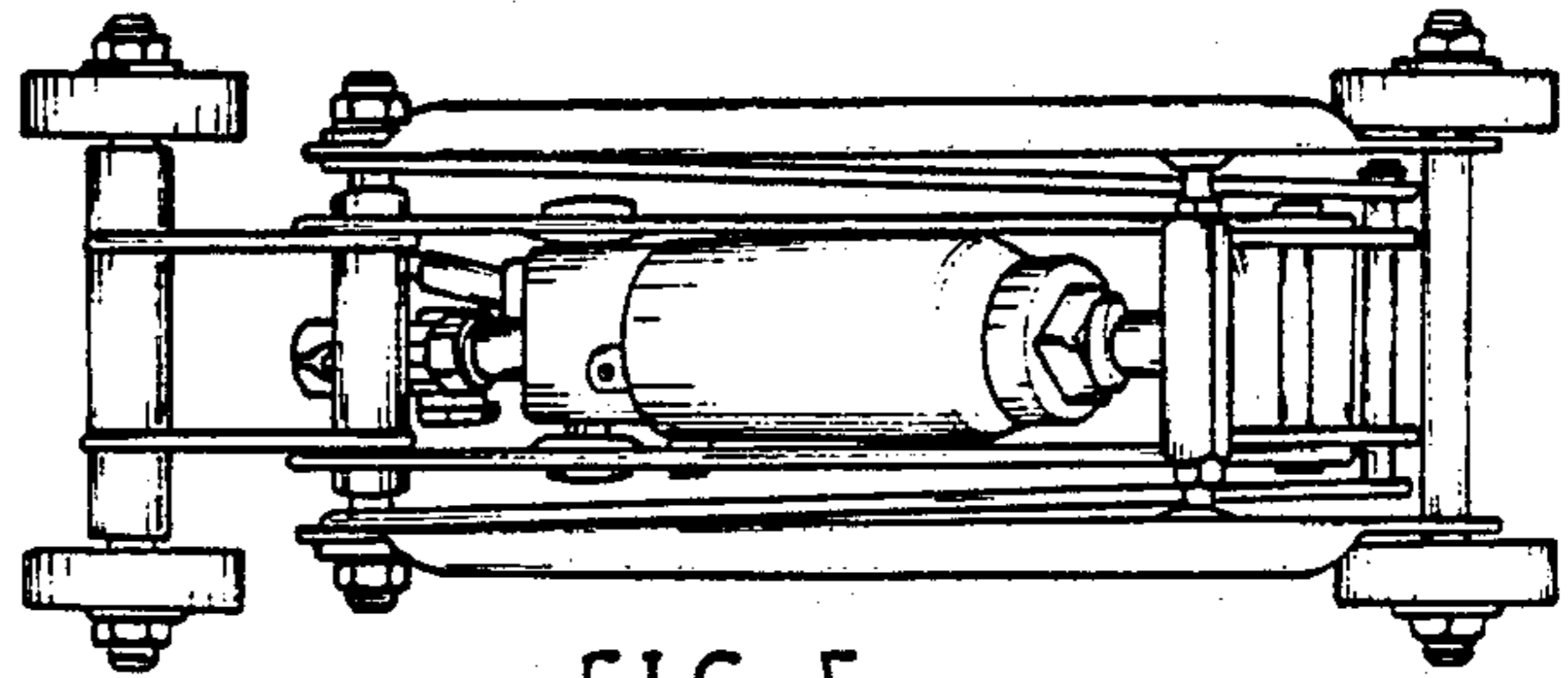


FIG. 5

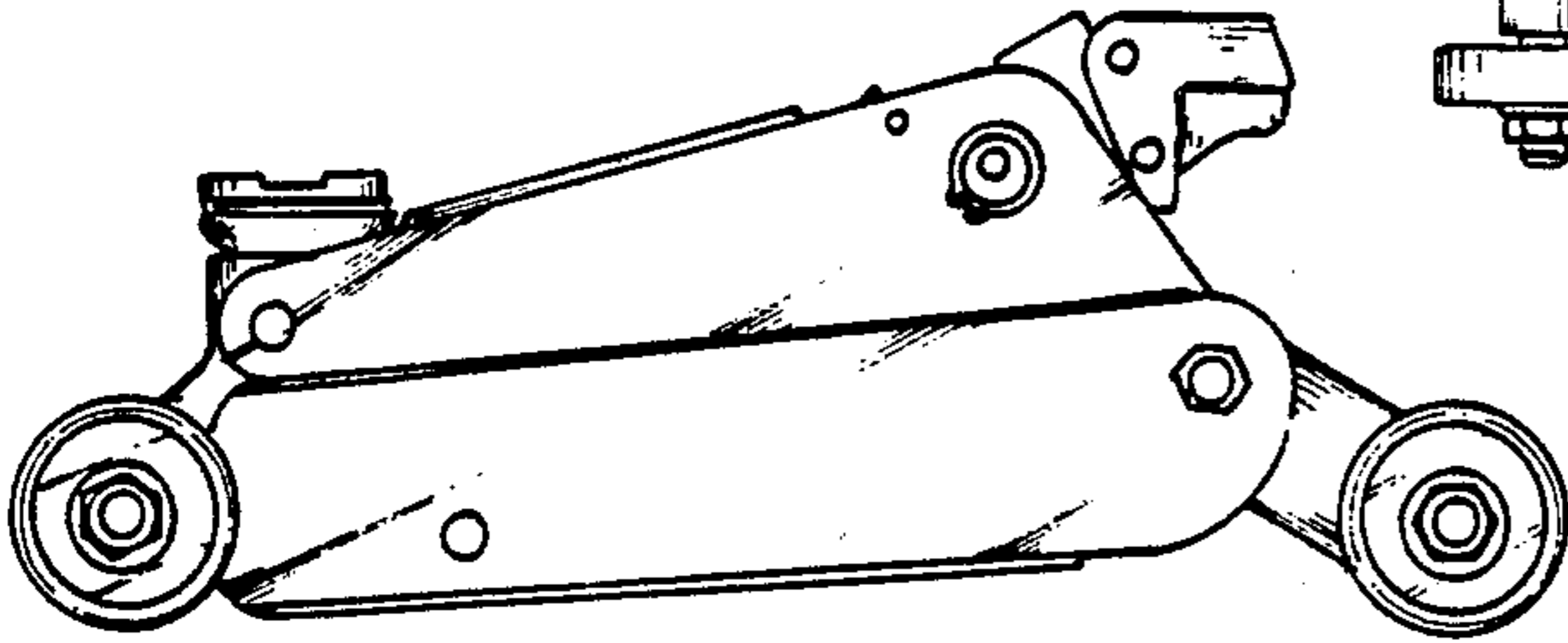


FIG. 2

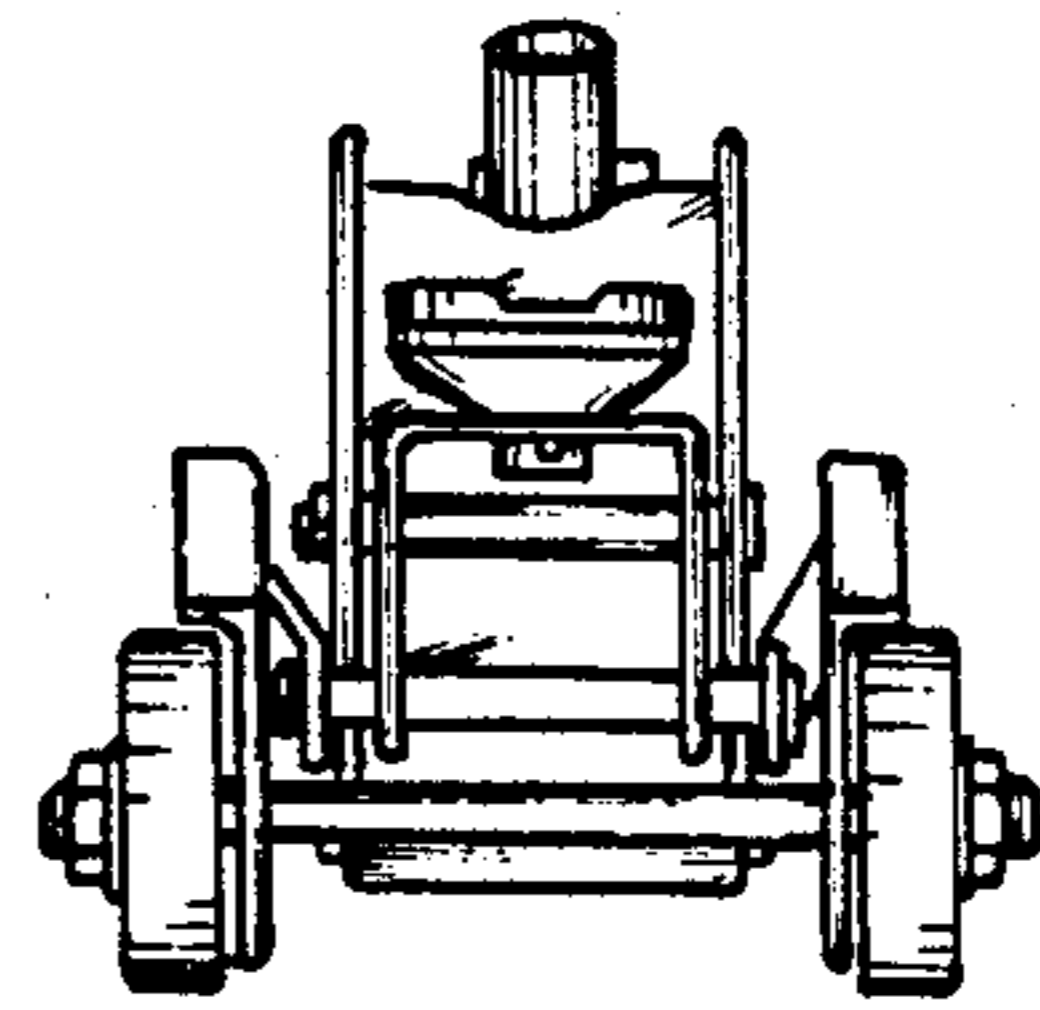


FIG. 6

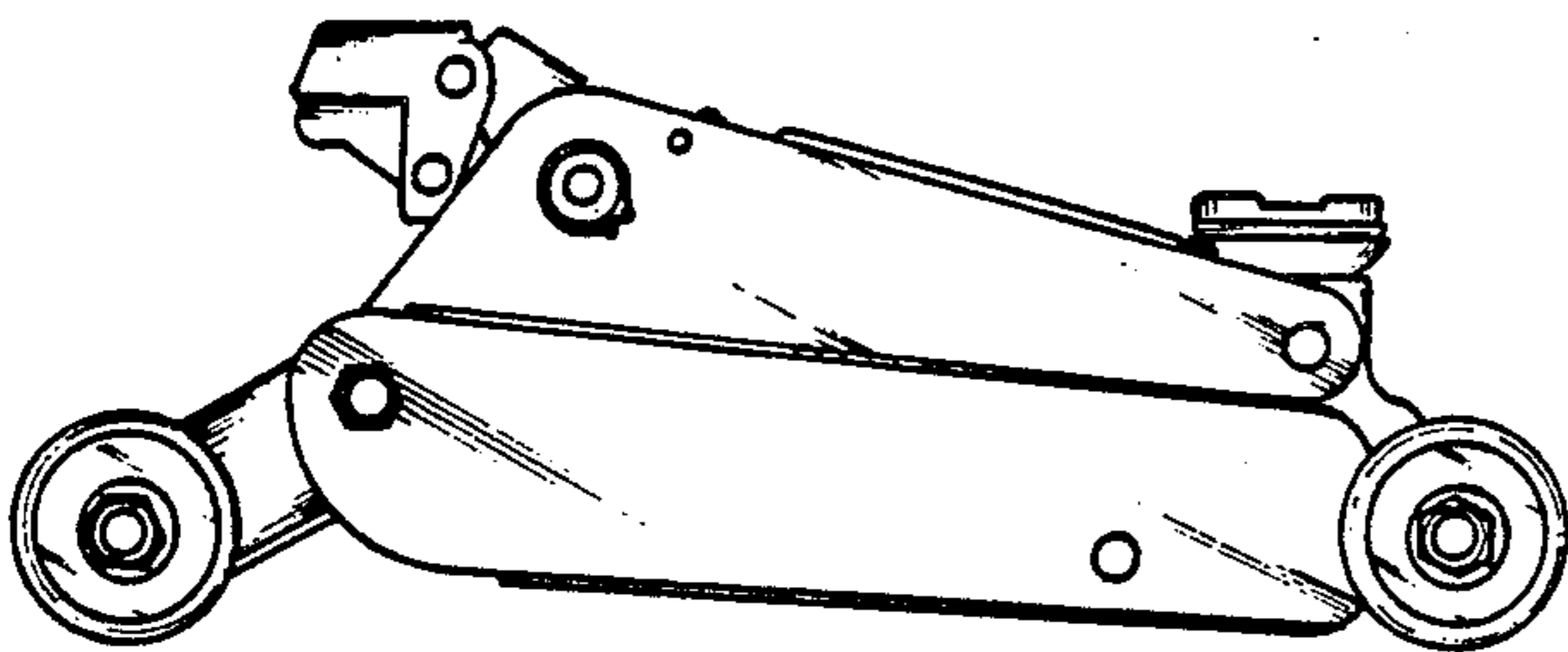


FIG. 3

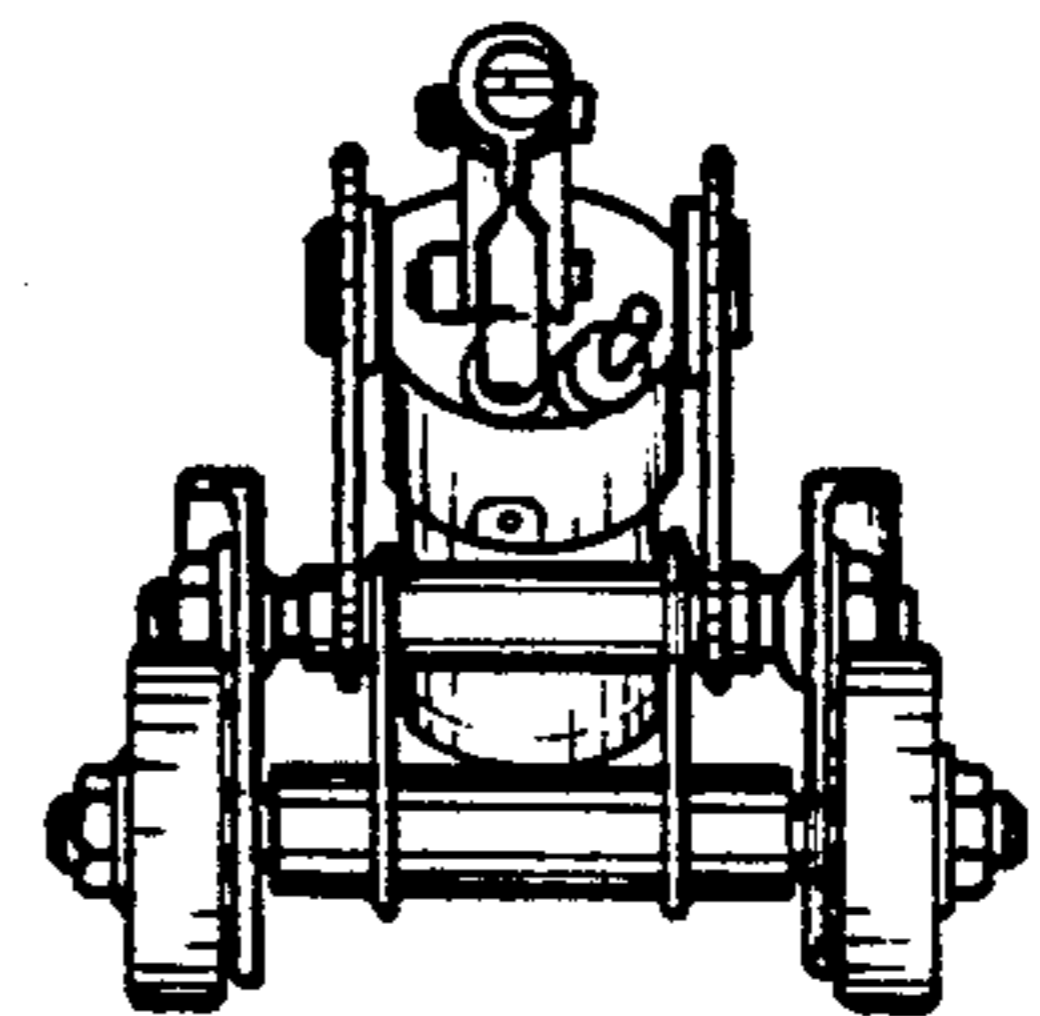


FIG. 7

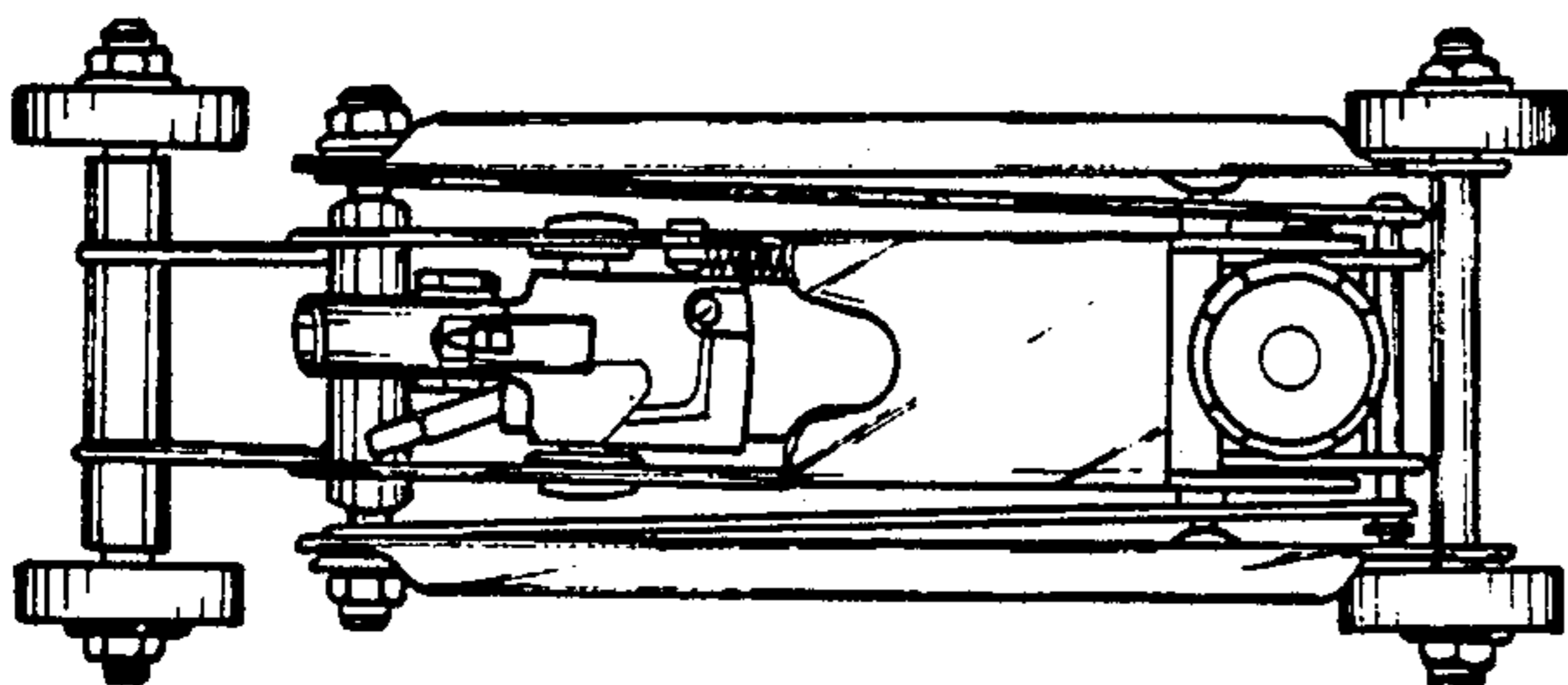


FIG. 4