

[54] RESPIRATOR MOUTHPIECE

[75] Inventors: Michael Bono, Collegeville; Frank J. Rossi, Pottstown, both of Pa.

[73] Assignee: Amici, Inc., Royersford, Pa.

[**] Term: 14 Years

[21] Appl. No.: 805,144

[22] Filed: Nov. 14, 1985

[52] U.S. Cl. D29/7

[58] Field of Search D29/6, 7, 8, 9; 128/206.24, 205.24, 206.28, 206.11

[56] References Cited

U.S. PATENT DOCUMENTS

D. 263,166	2/1982	Bushman	D29/7
2,857,911	10/1958	Bennett	128/206.24
2,865,369	12/1958	Kline	128/205.24
3,303,845	2/1967	Detmer, III	D29/7
4,222,378	9/1980	Mahoney	128/206.24
4,304,229	12/1981	Curtin	128/205.24
4,610,246	9/1986	Delphia	128/205.24

Primary Examiner—James M. Gandy

Assistant Examiner—Kay H. Chin

Attorney, Agent, or Firm—Franklin D. Wolffe; Morris Fidelman

[57] CLAIM

The ornamental design for a respirator mouthpiece, as shown and described.

DESCRIPTION

FIG. 1 is a front perspective view of a respirator mouthpiece showing our new design;
 FIG. 2 is a left side elevational view thereof;
 FIG. 3 is a top plan view thereof;
 FIG. 4 is a bottom plan view thereof;
 FIG. 5 is an enlarged cross sectional view taken along the line 5—5 of FIG. 3;
 FIG. 6 is an enlarged cross sectional view taken along the line 6—6 of FIG. 3;
 FIG. 7 is a front elevational view of the respirator mouthpiece showing a second embodiment, the differences from the first embodiment being in the generally oval lip-engaging portions and in the external shapes of the main body portion;
 FIG. 8 is a right side elevational view of FIG. 7;
 FIG. 9 is a top plan view of FIG. 7; and
 FIG. 10 is a bottom plan view of FIG. 7.

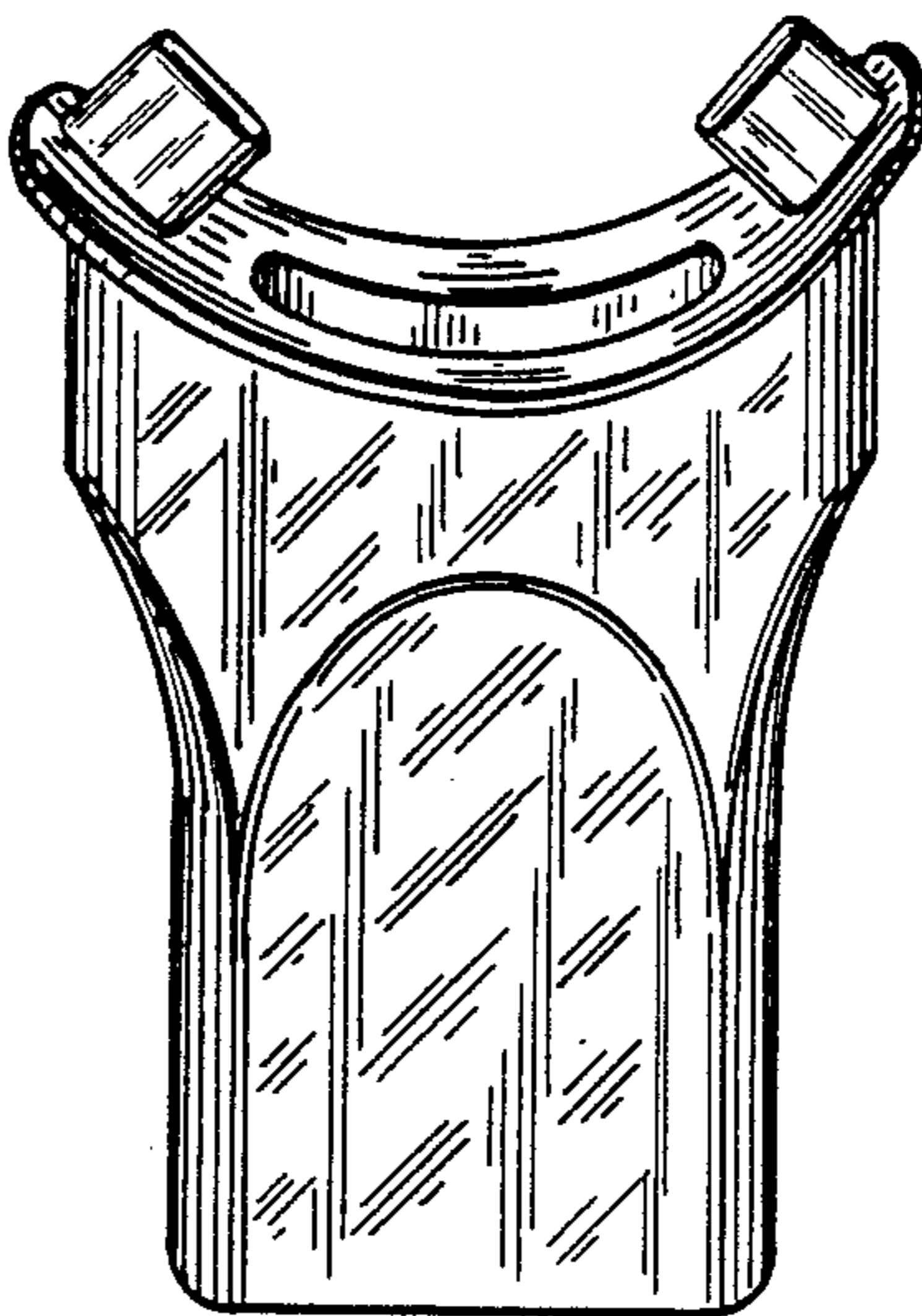


Fig. 1

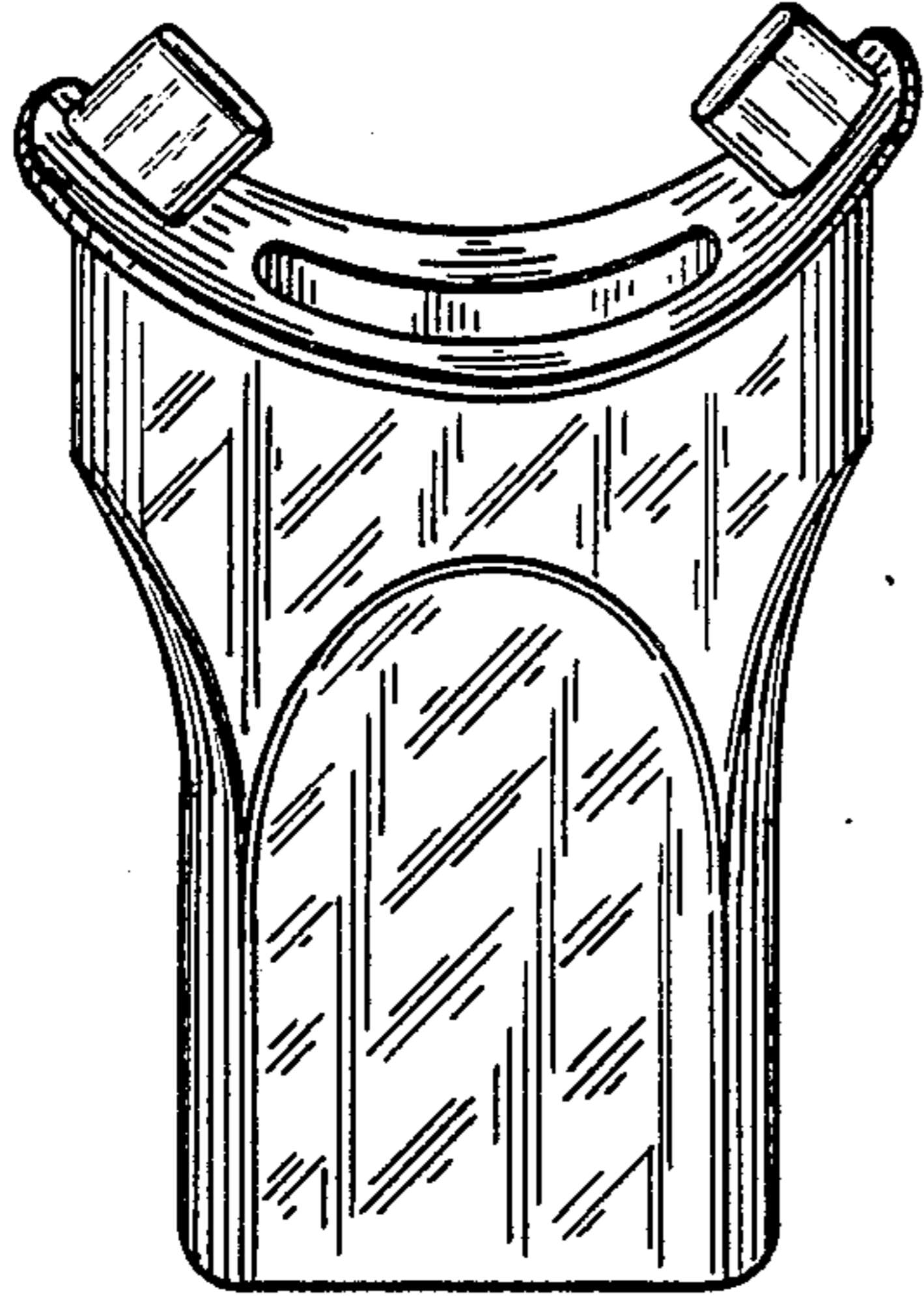


Fig. 3

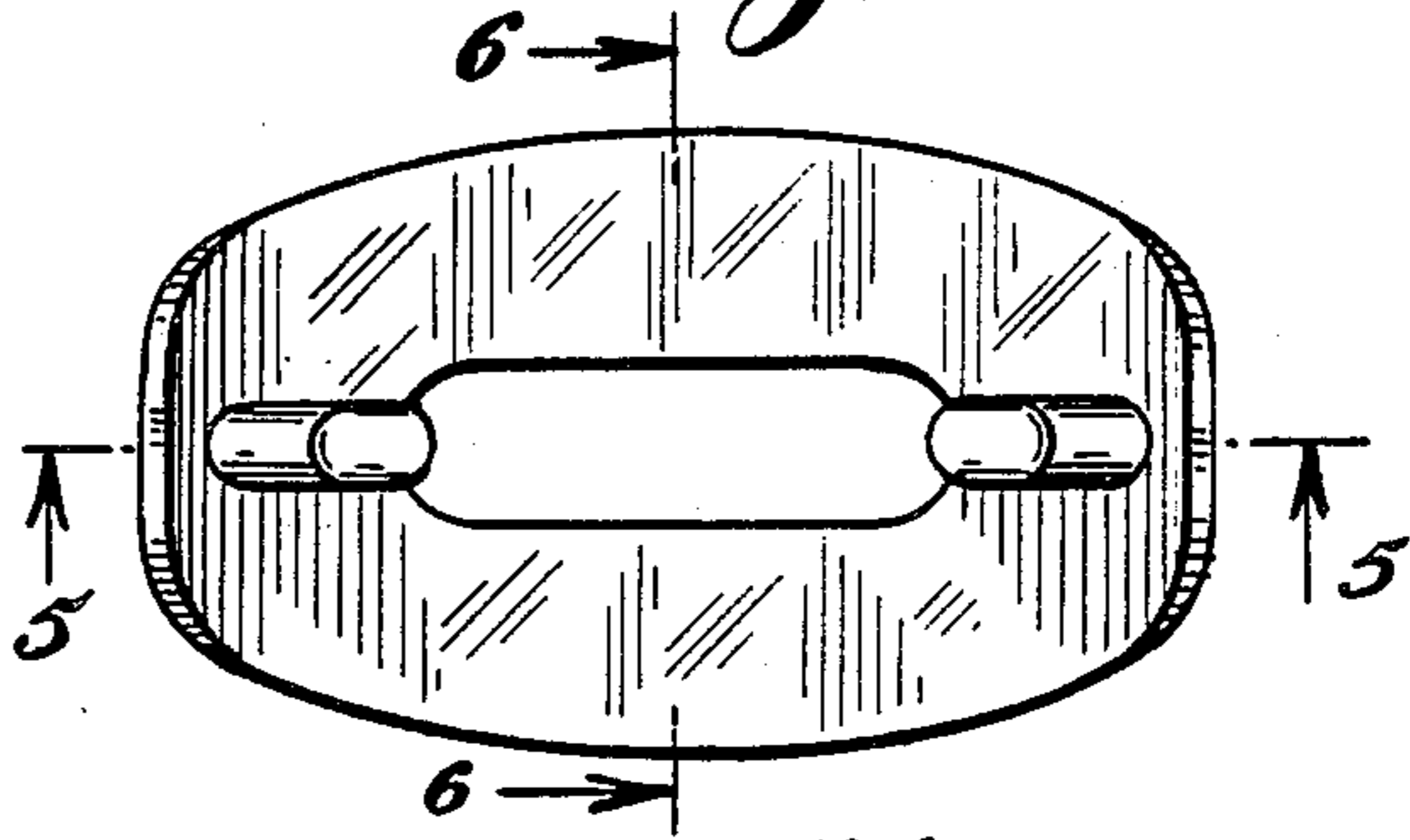


Fig. 4

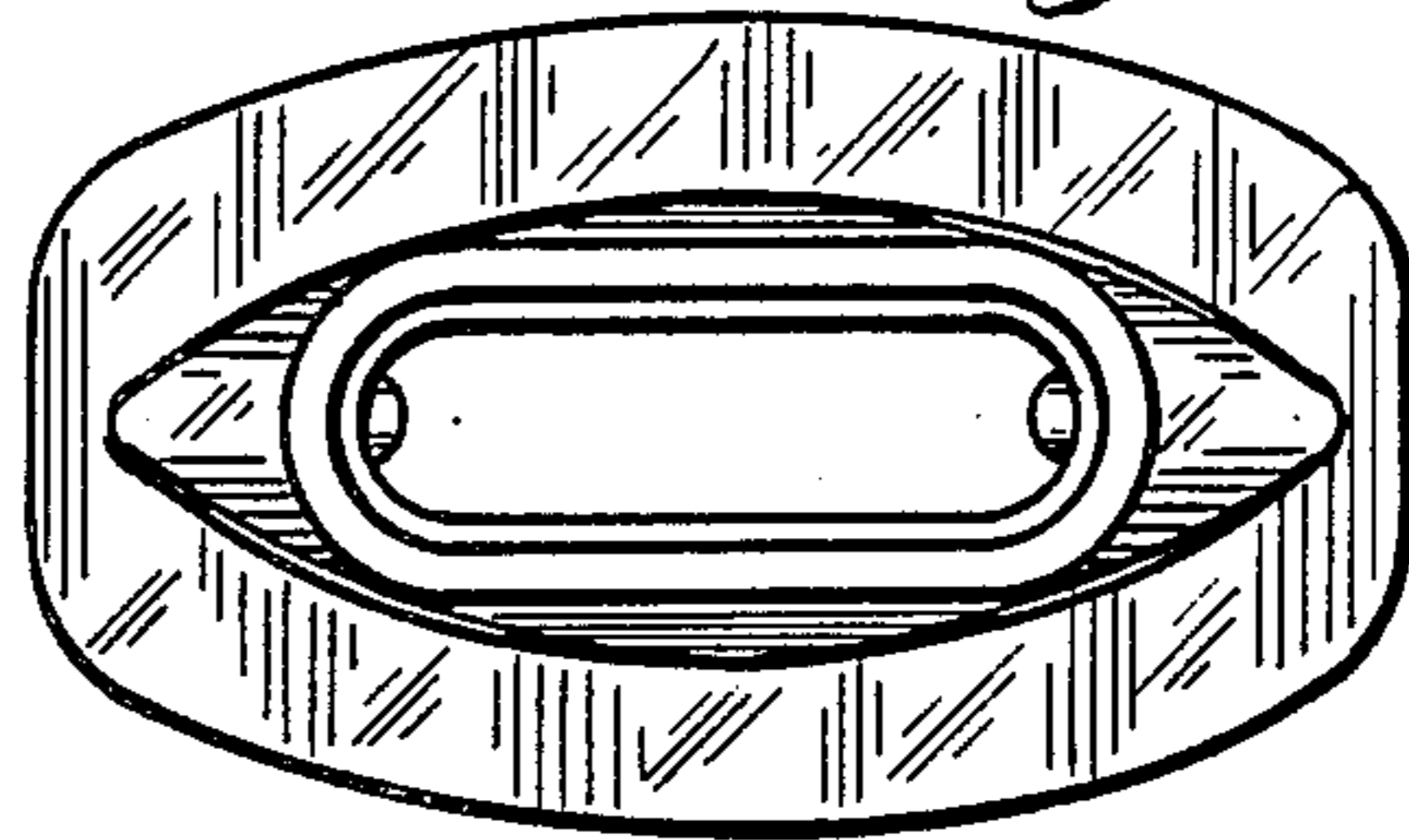


Fig. 2

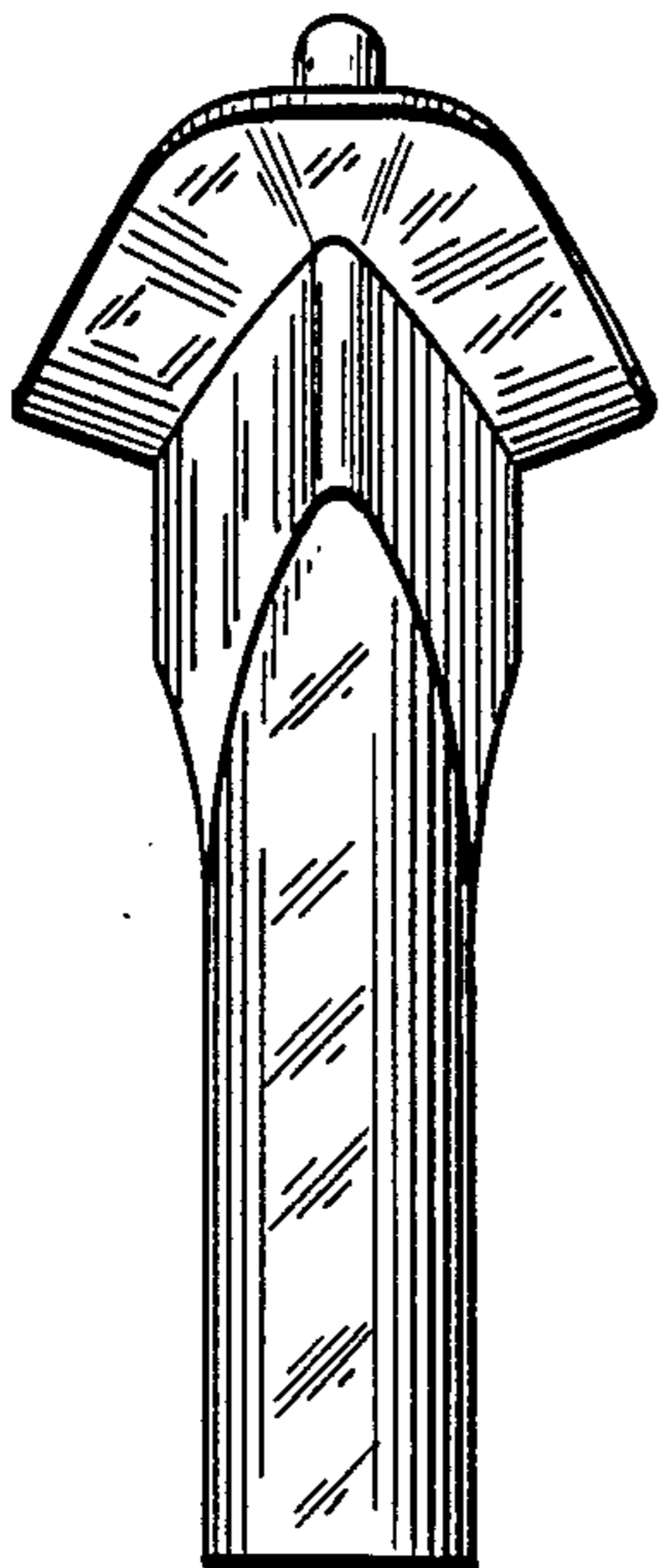


Fig. 5

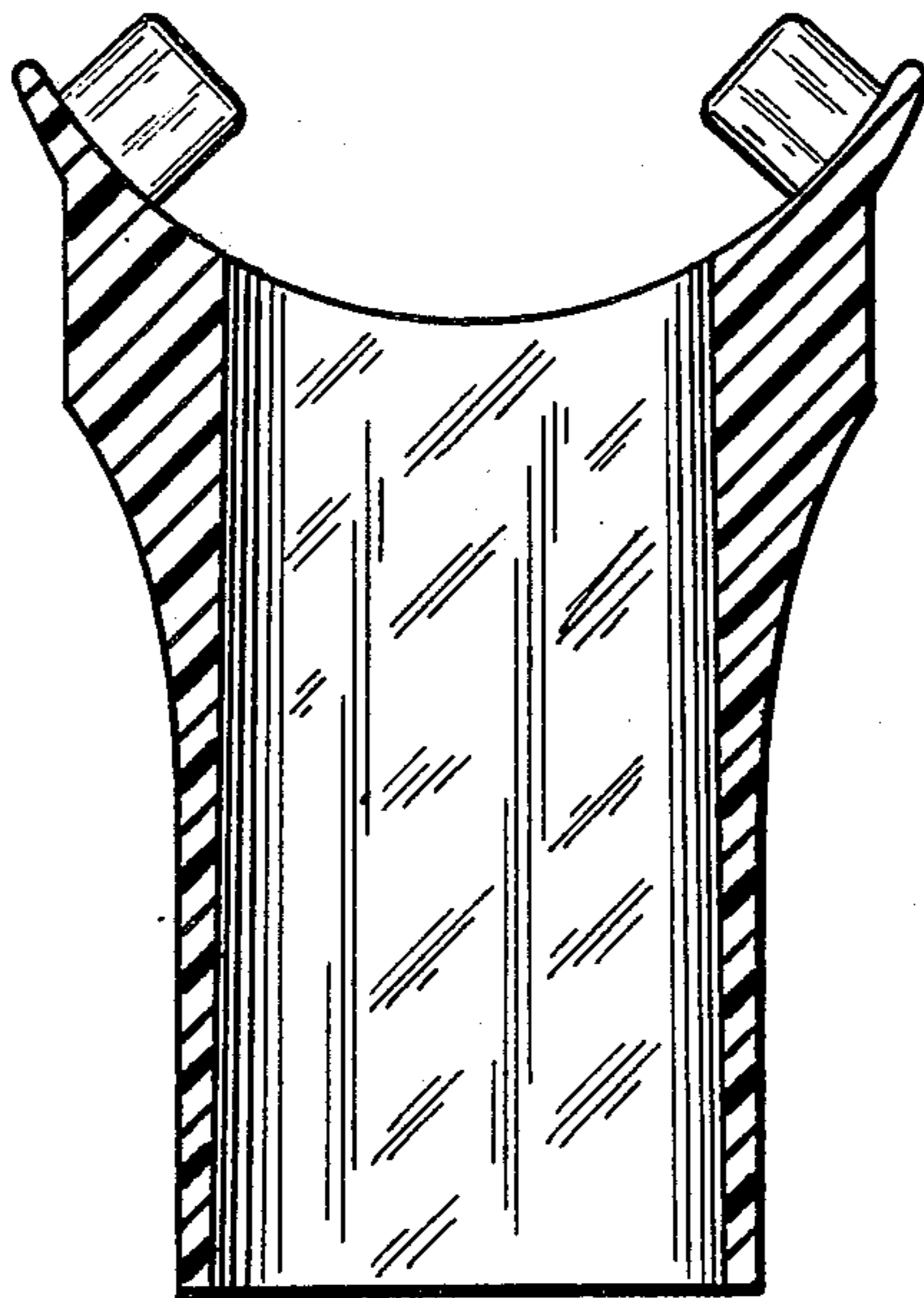


Fig. 6

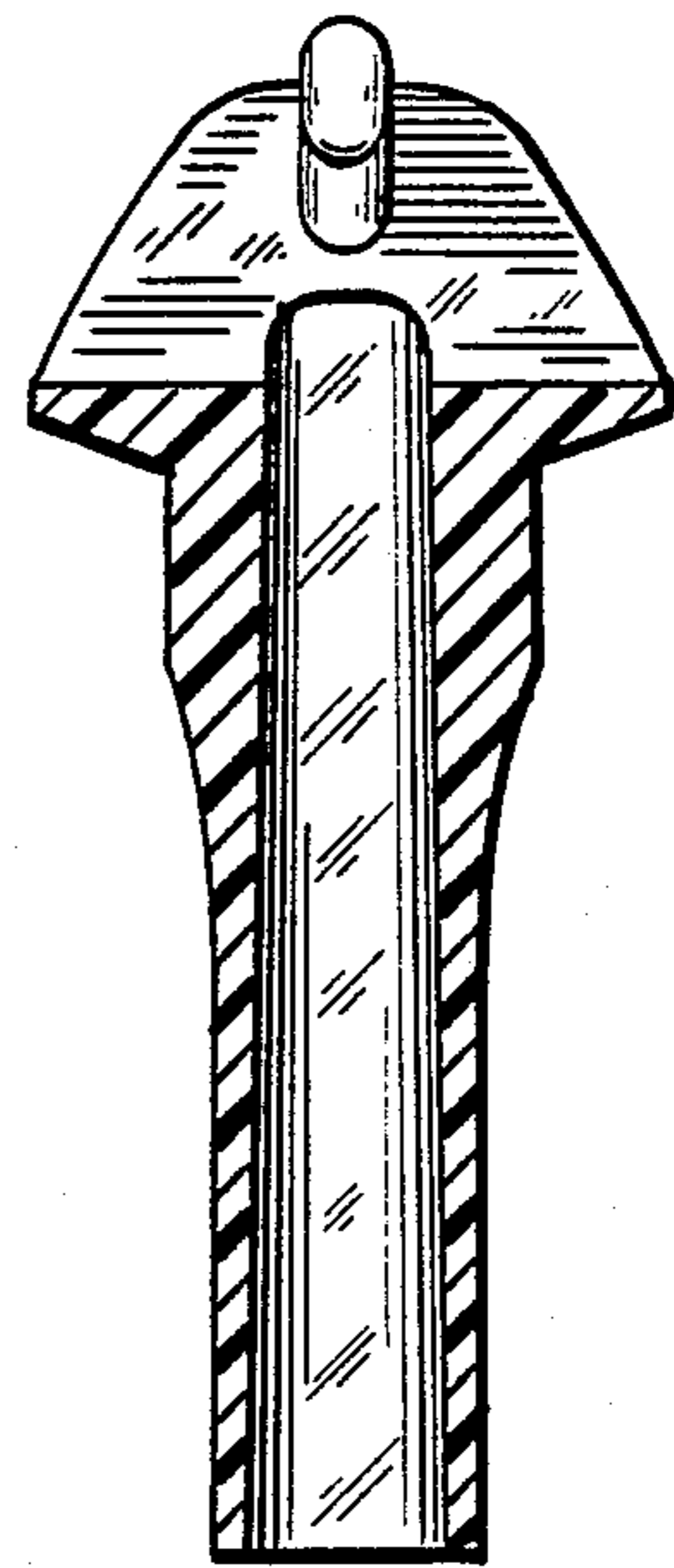


Fig. 7

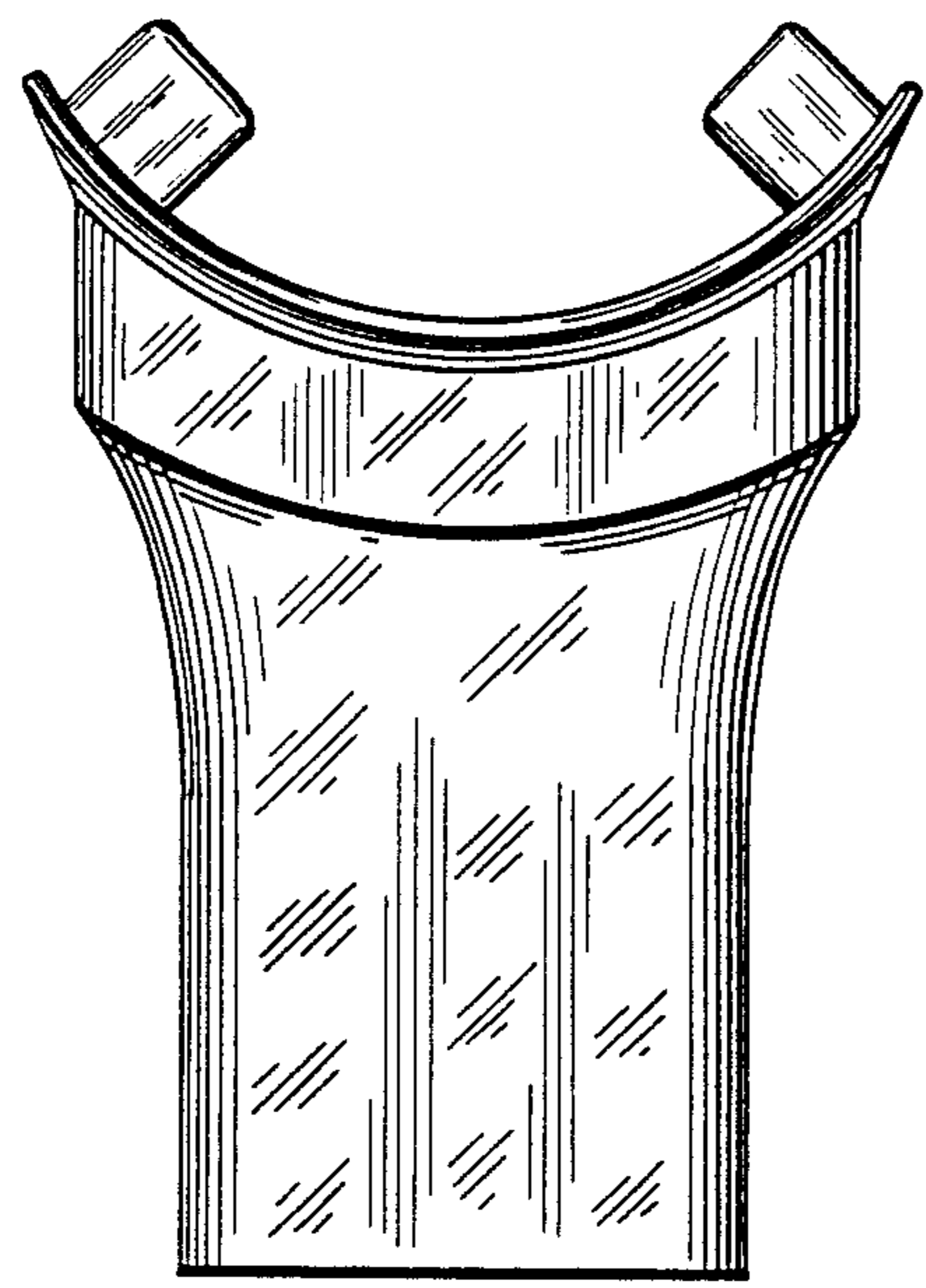


Fig. 8

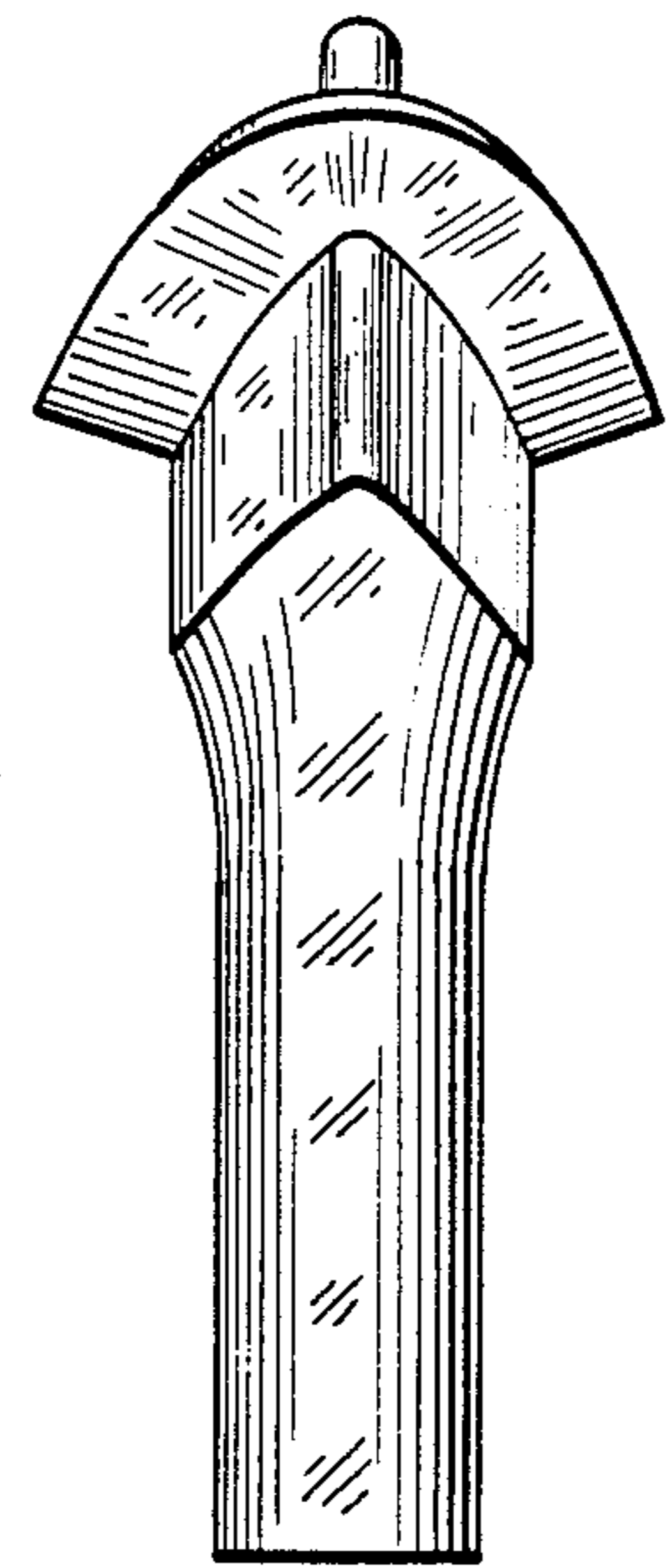


Fig. 9

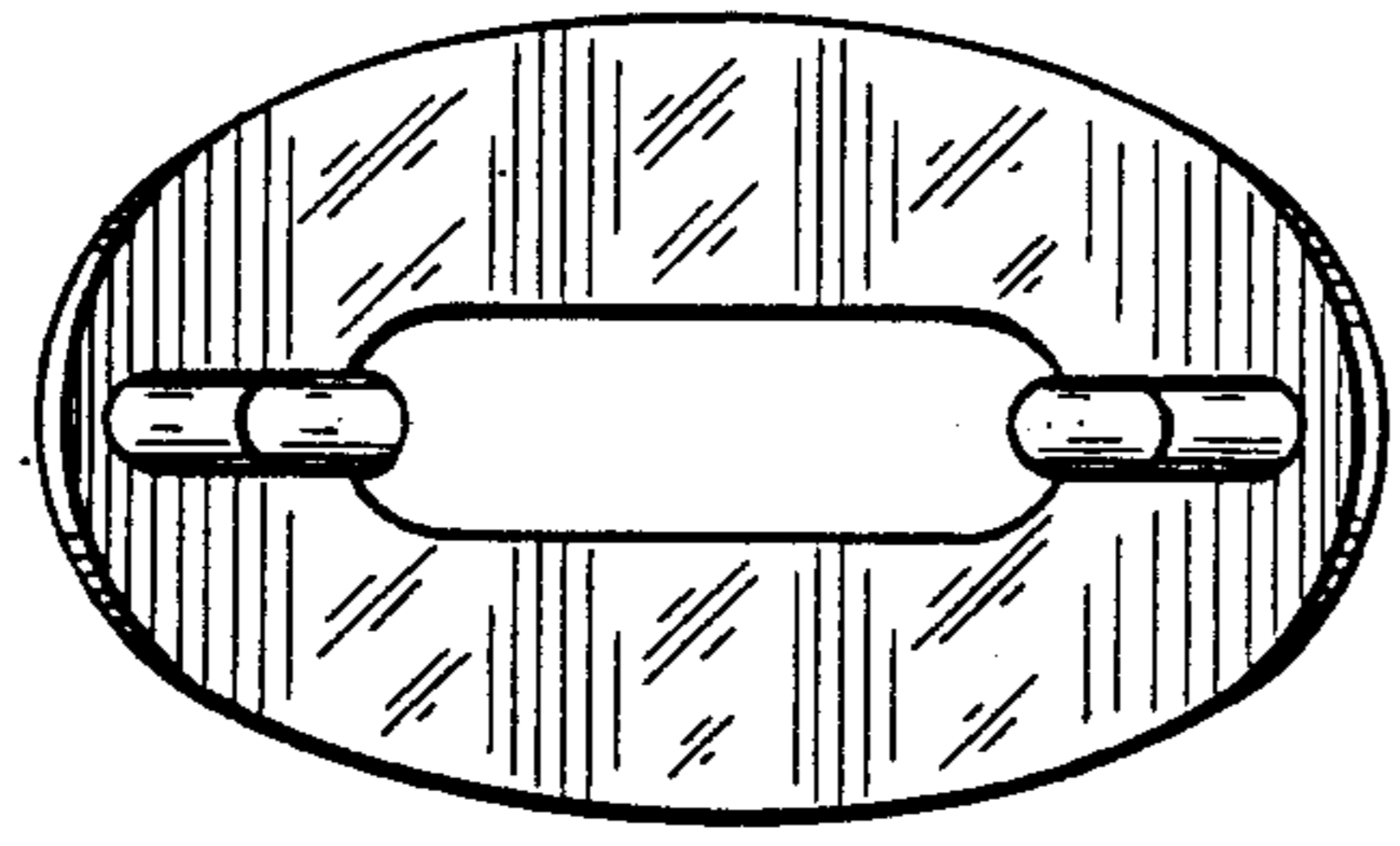


Fig. 10

