

[54] DISPOSABLE RAZOR

[76] Inventor: Robert Demars, 7932 Maestro, Canoga Park, Calif. 91304

[**] Term: 14 Years

[21] Appl. No.: 742,479

[22] Filed: Jun. 7, 1985

[52] U.S. Cl. D28/46

[58] Field of Search D28/44-51; 30/32, 34 R, 34.1, 47, 50, 90, 84-86, 41

[56] References Cited

U.S. PATENT DOCUMENTS

3,353,264	11/1967	Waldman	30/41
4,309,821	1/1982	Terry et al.	D28/46
4,433,483	2/1984	Lazarus	30/41
4,476,630	10/1984	Byrne	30/84 X

4,562,643 1/1986 Cataudella 30/41

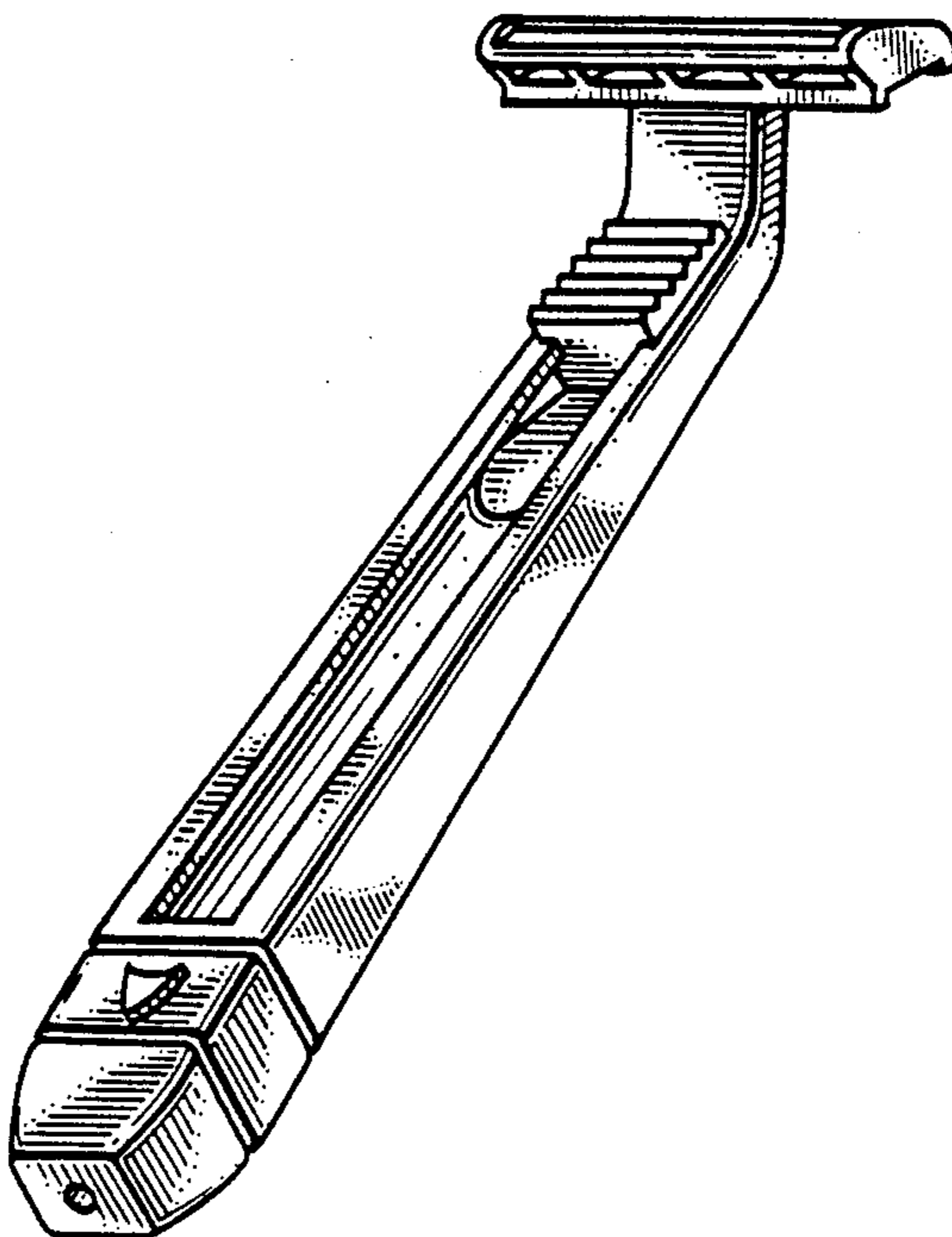
Primary Examiner—Louis S. Zarfes
Attorney, Agent, or Firm—Cislo & Thomas

[57] CLAIM

The ornamental design for a disposable razor, as shown and described.

DESCRIPTION

FIG. 1 is a perspective view of a disposable razor, showing my new design;
FIG. 2 is a front elevational view thereof;
FIG. 3 is a rear view elevational view thereof;
FIG. 4 is a right side elevational view thereof with the left side elevational view being substantially a mirror image;
FIG. 5 is a top plan view thereof;
FIG. 6 is a bottom plan view thereof.



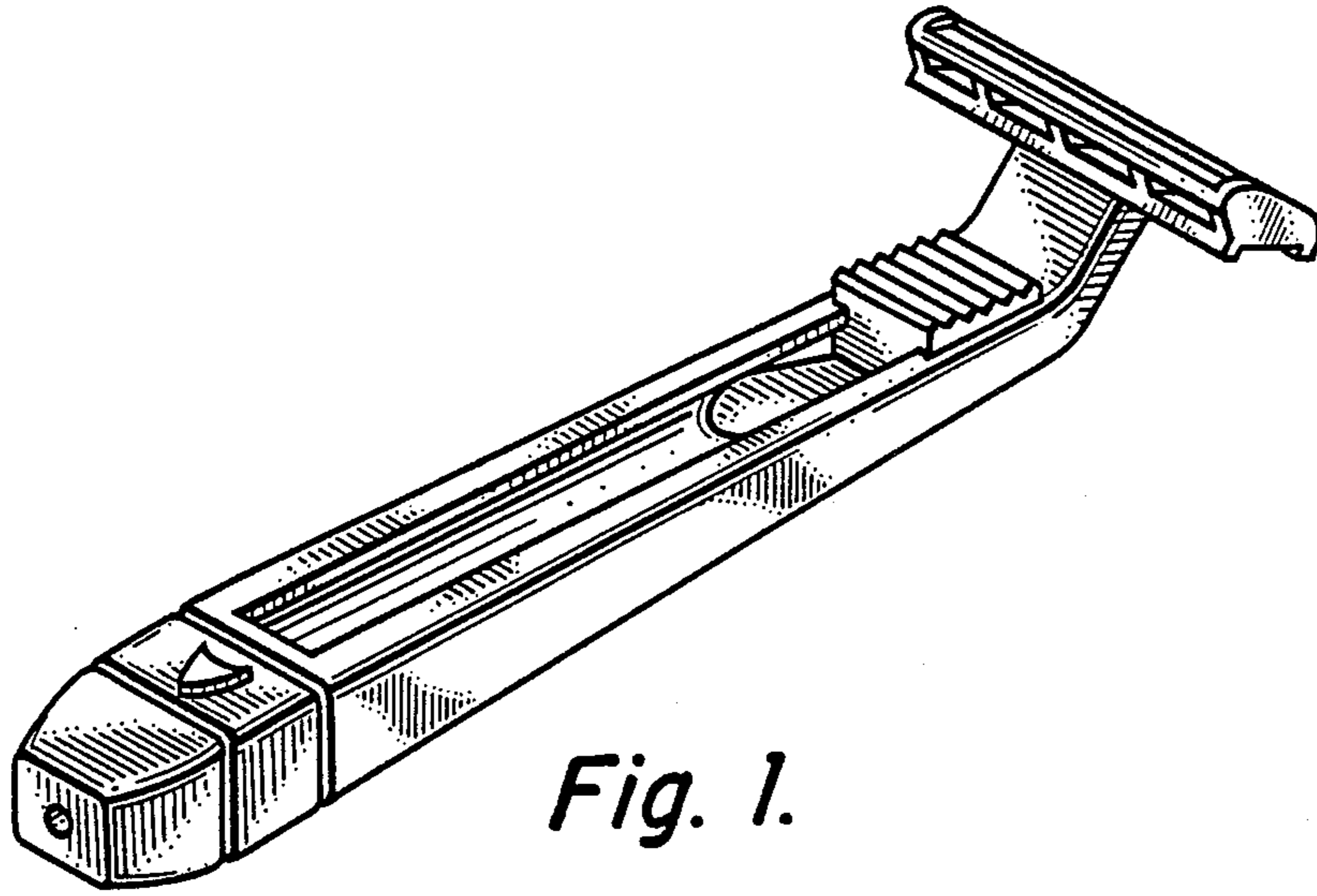


Fig. 1.



Fig. 2.

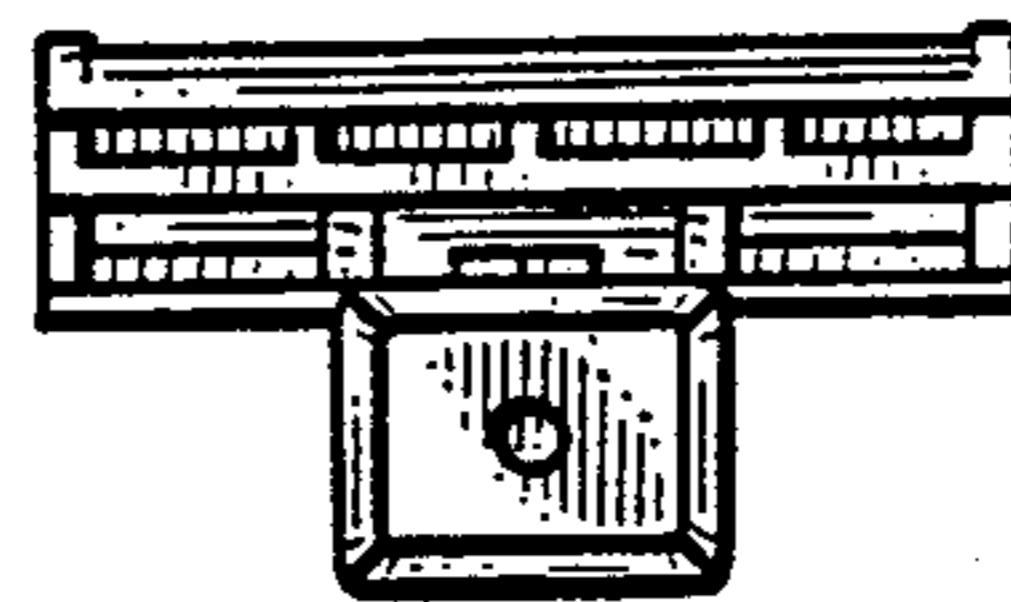


Fig. 3.



Fig. 4.

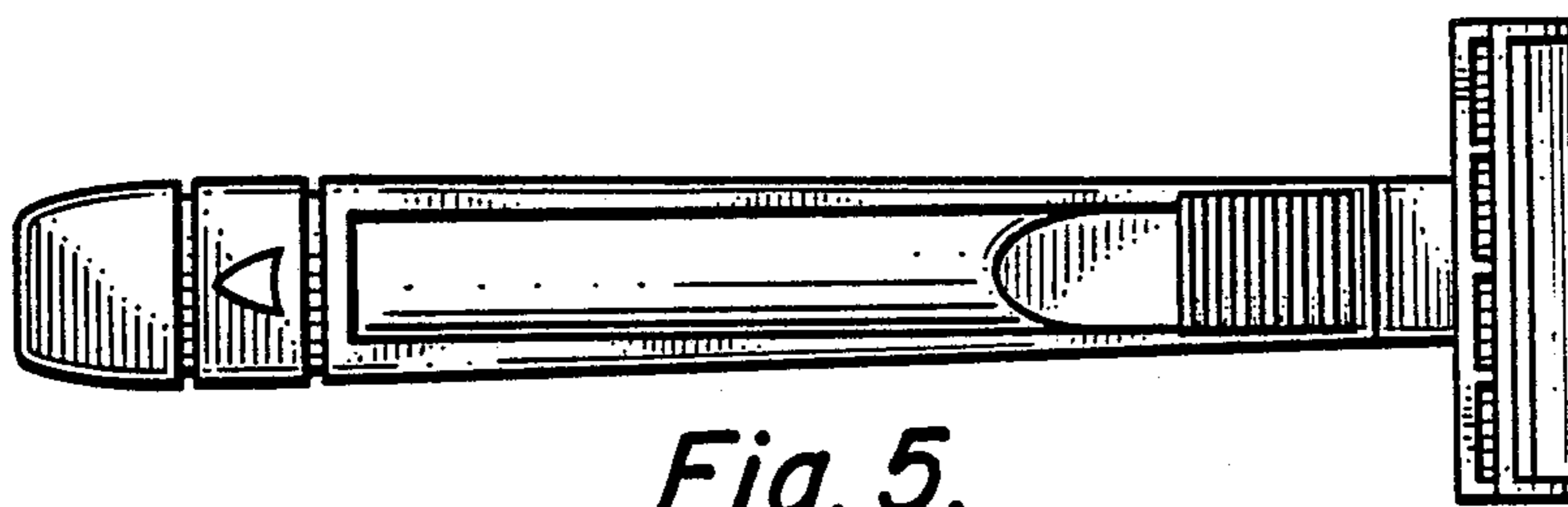


Fig. 5.

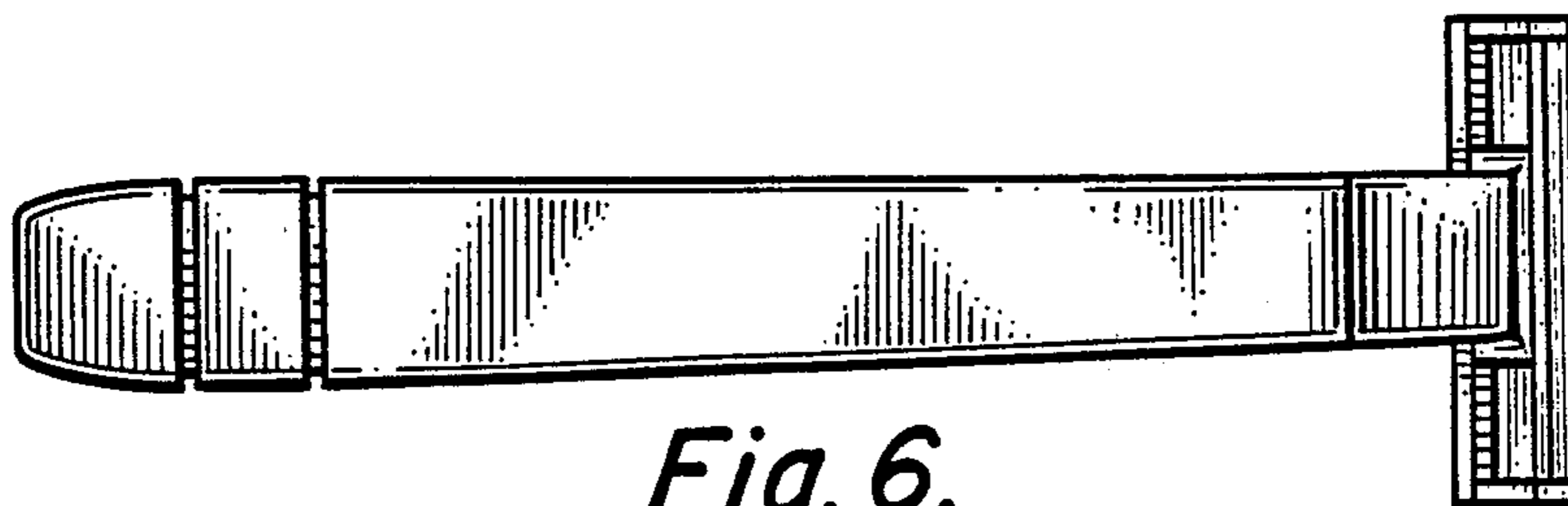


Fig. 6.