

[54] TABLET

[75] Inventor: John R. Kirk, McKeesport, Pa.

[73] Assignee: McNeilab, Inc., Fort Washington, Pa.

[\*\*] Term: 14 Years

[21] Appl. No.: 764,808

[22] Filed: Aug. 12, 1985

[52] U.S. Cl. .... D28/2; D1/129

[58] Field of Search ..... D28/1-3, D28/8.1, 8.2; D1/100, 106, 112, 121, 127, 128, 129, 199; D21/108; 424/2; 426/97, 98; 252/92

[56] References Cited

U.S. PATENT DOCUMENTS

59,910	12/1921	Noble	.....	D28/2
D. 229,049	11/1973	Roberts	.....	D28/2
D. 229,175	11/1973	Libertone et al.	.....	D28/2
D. 283,931	5/1986	Baum	.....	D28/2
D. 288,381	2/1987	Eldred et al.	.....	D1/129
2,841,811	7/1958	Carroll	.....	D28/8.1

OTHER PUBLICATIONS

Physicians' Desk Reference, 39th Edition, 1985, pp.

430-431, published by Medical Economics Company Inc.

American Pharmaceutical Association Academy of Pharmaceutical Sciences, 37th National Meeting and Premiere Exposition, Oct. 28-Nov. 1, 1984, "Roster of Advance Registrants".

Zomax (zomepirac sodium) pamphlet from McNeilab, Inc. 1983.

Primary Examiner—James M. Gandy

Assistant Examiner—Kay H. Chin

Attorney, Agent, or Firm—David J. Levy

[57] CLAIM

The ornamental design for a tablet, as shown and described.

DESCRIPTION

FIG. 1 is a top perspective view of a tablet, showing my new design;

FIG. 2 is a top plan view thereof;

FIG. 3 is a bottom plan view thereof;

FIG. 4 is a front elevational view thereof;

FIG. 5 is a rear elevational view thereof; and,

FIG. 6 is a right side elevational view thereof, the left side elevational view being a mirror image of that shown.

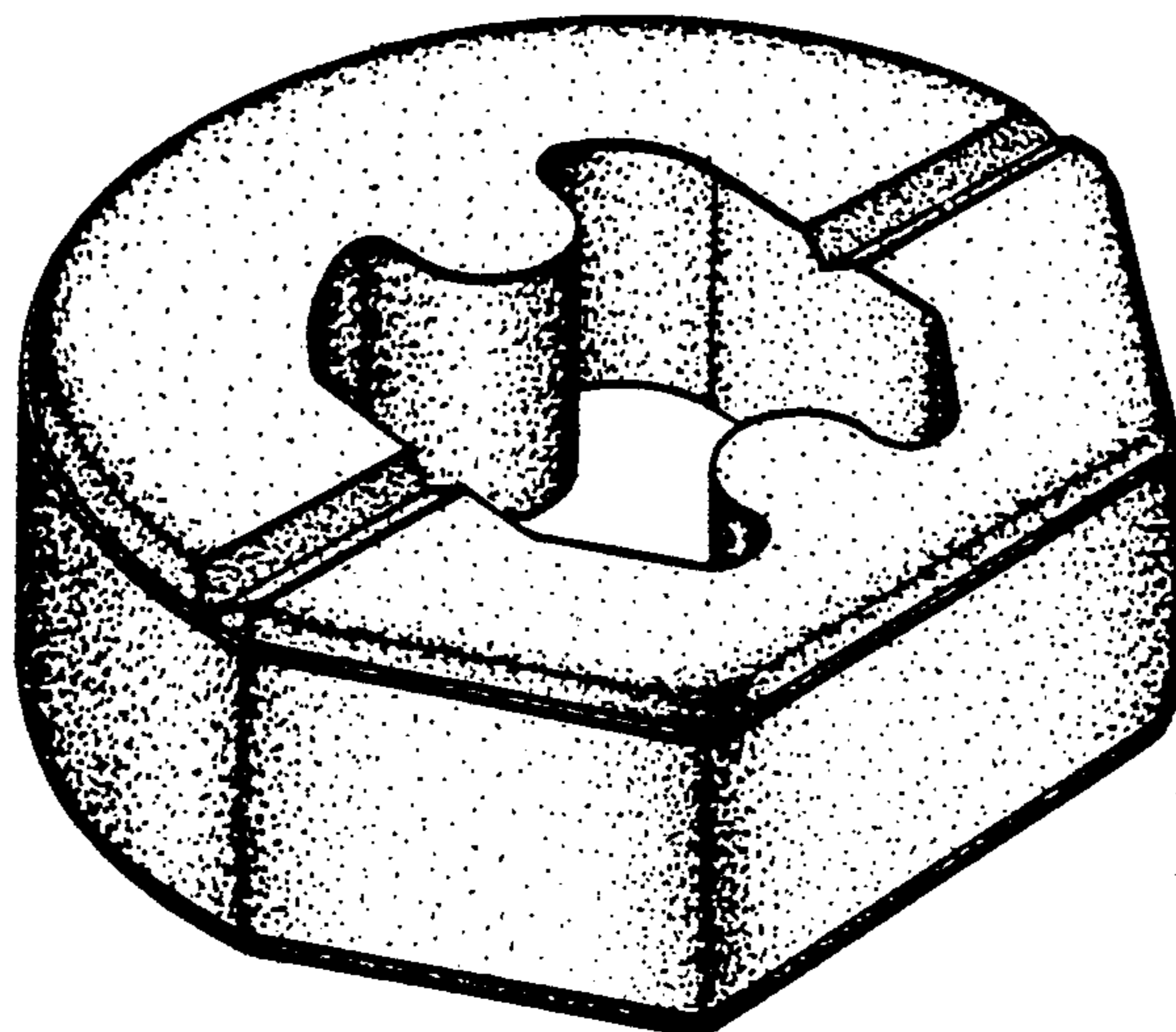


FIG-1

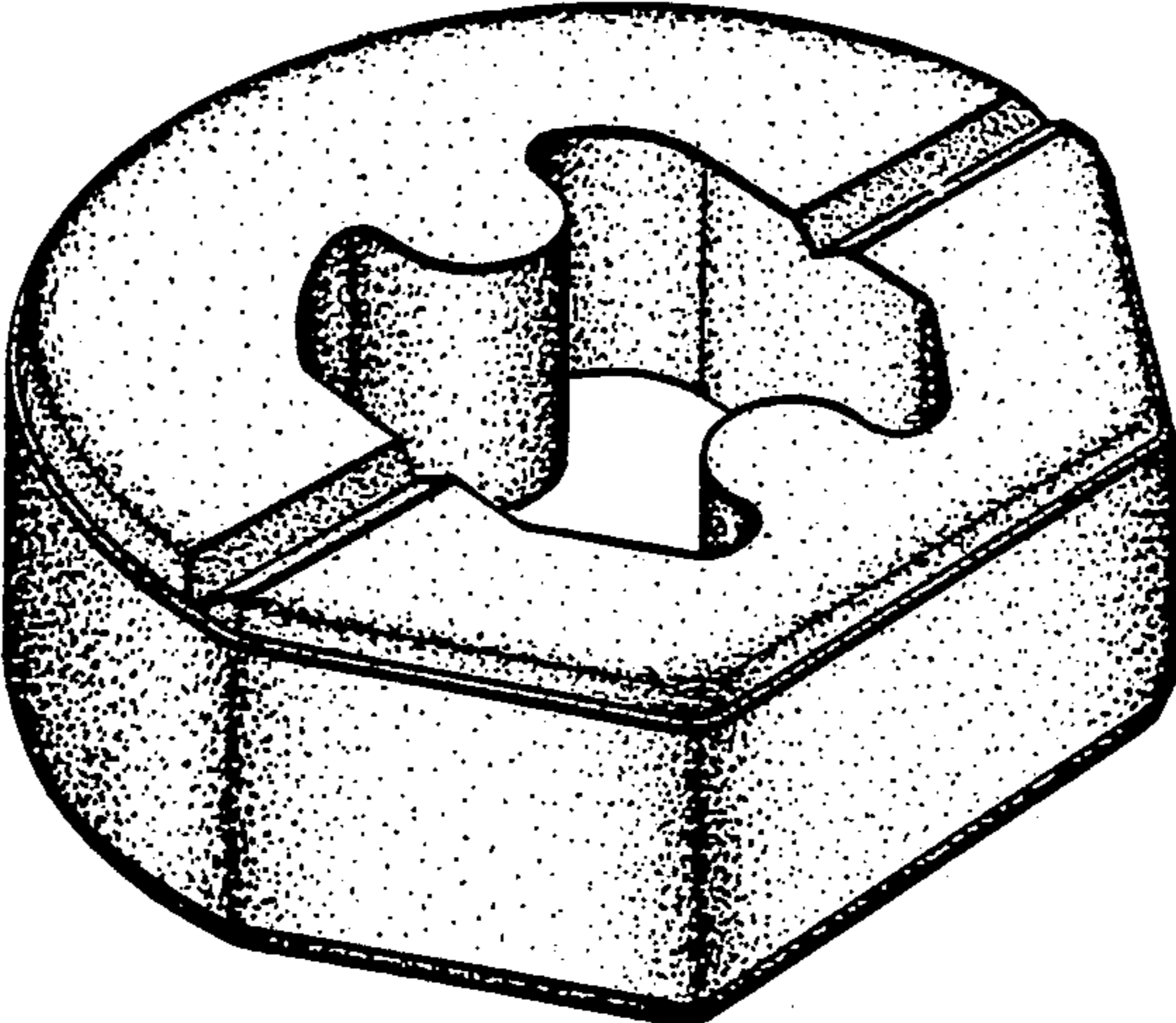


FIG-2

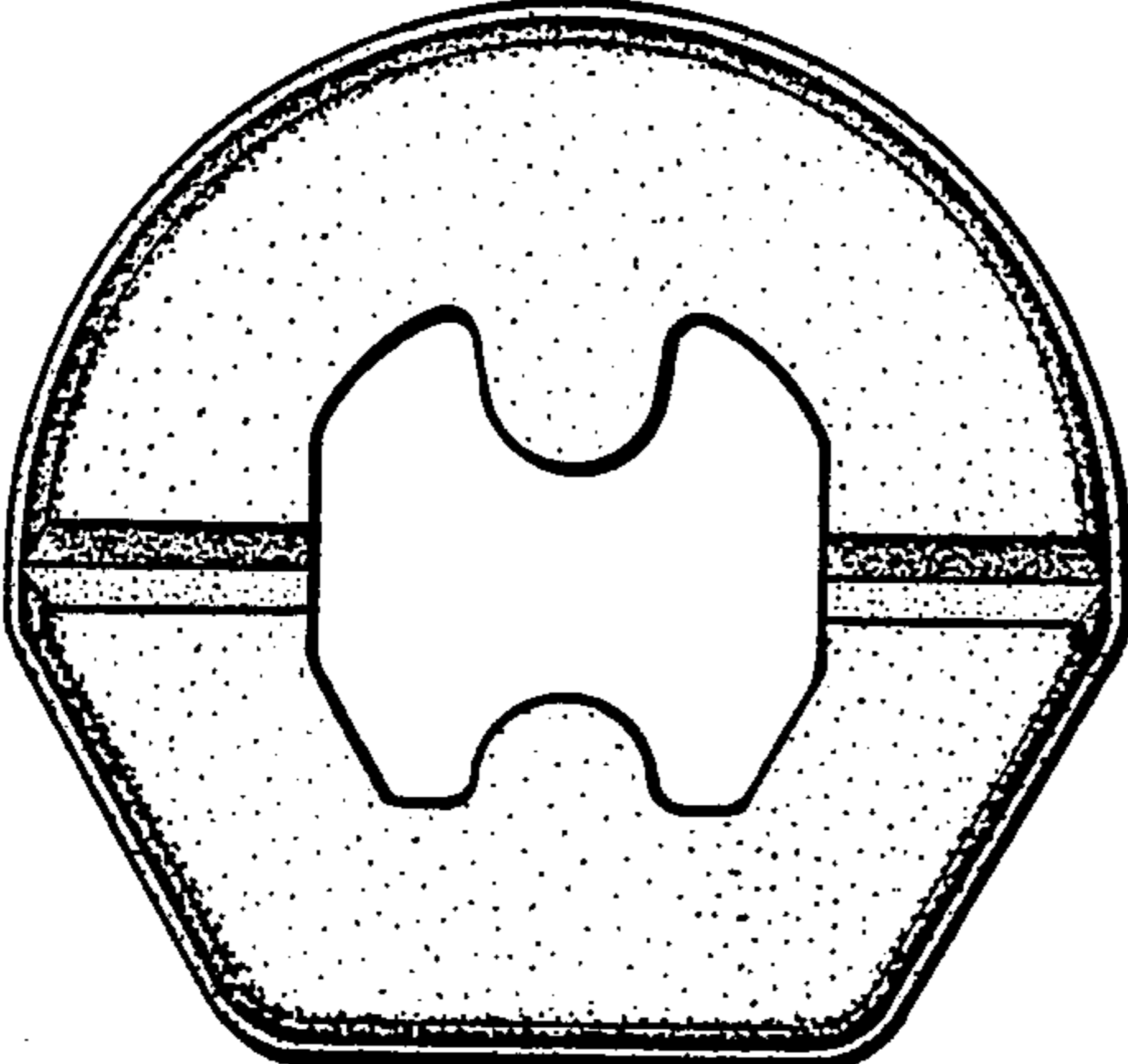


FIG-3

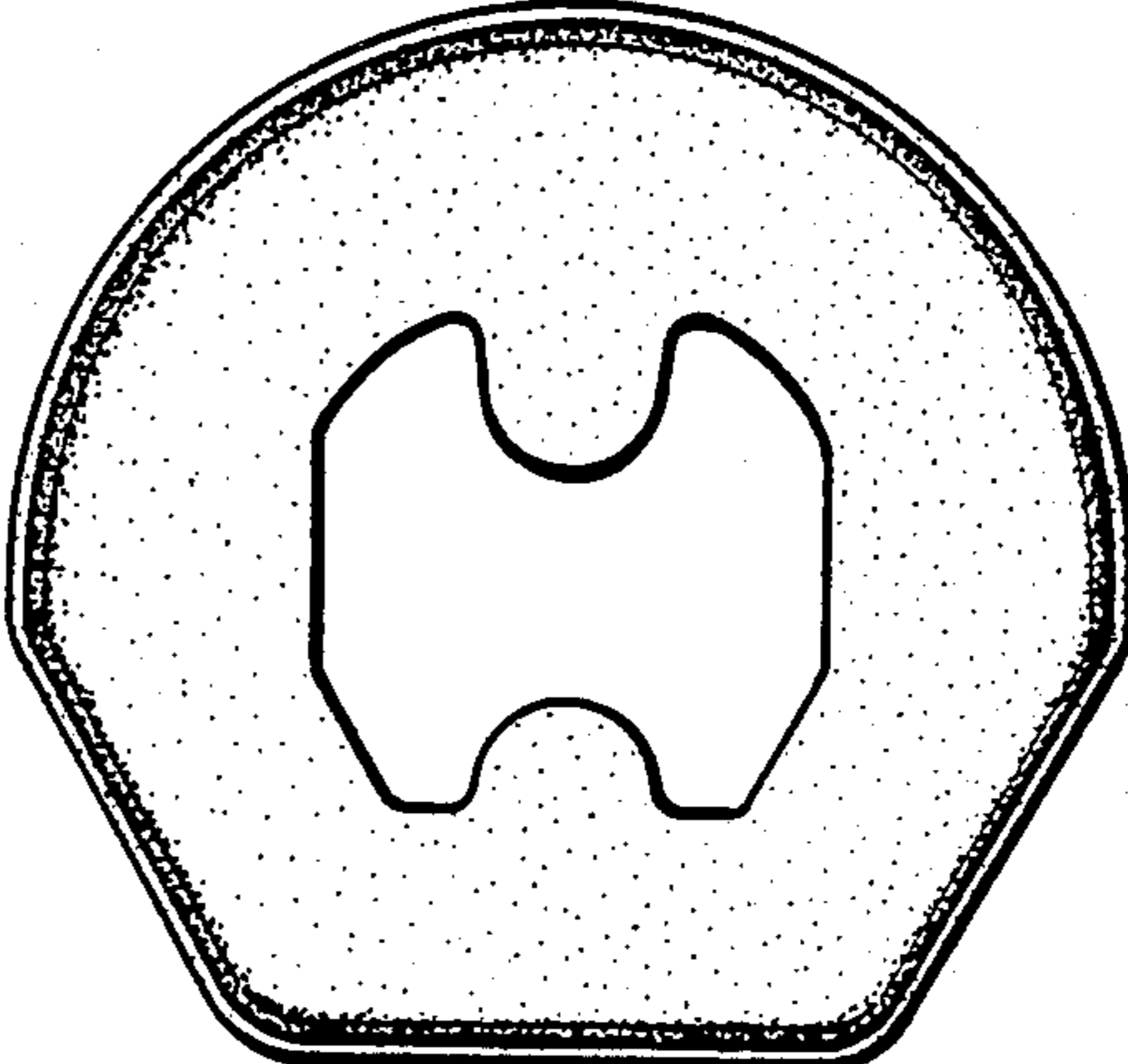


FIG-4

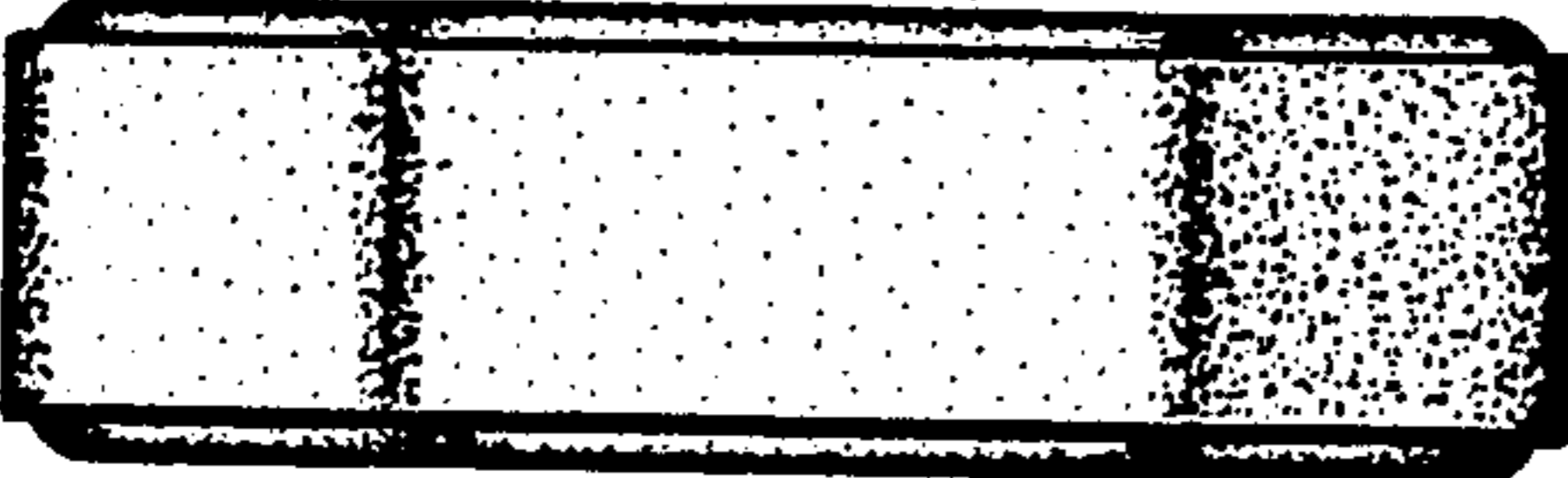


FIG-5

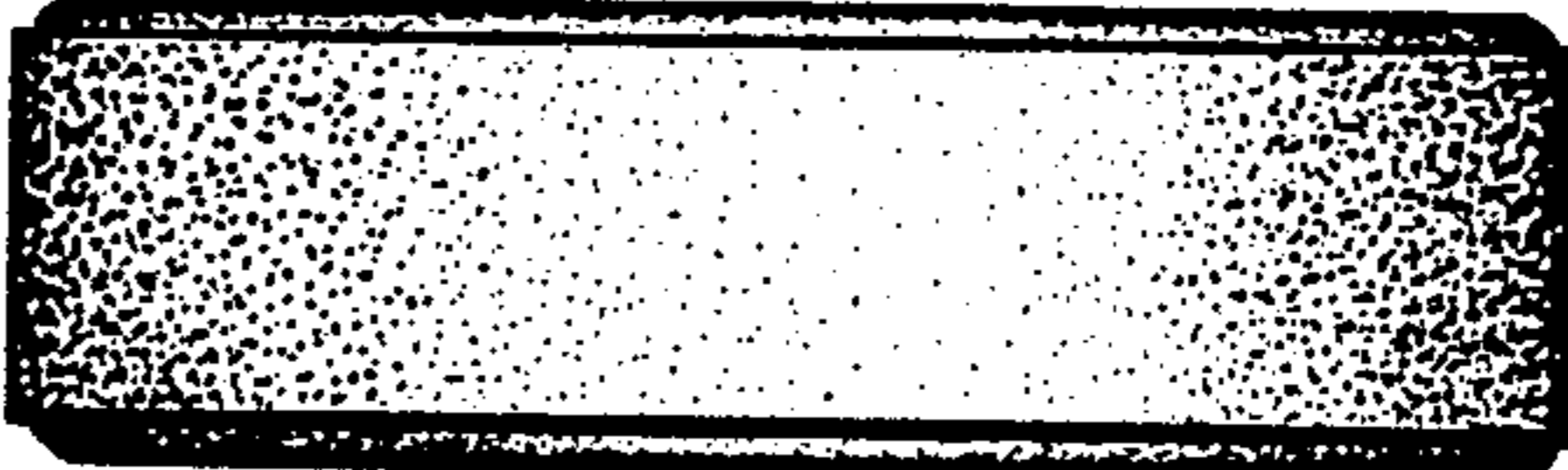


FIG-6

