

[54] ROTARY HIGH PRESSURE WATER JET CLEANING TOOL

[76] Inventor: Curtis C. Steele, 5329 Camp Rd., Trenton, Ohio 45067

[\*\*] Term: 14 Years

[21] Appl. No.: 719,548

[22] Filed: Apr. 3, 1985

[52] U.S. Cl. .... D23/223

[58] Field of Search ..... D23/17-18, D23/6; 175/107; 285/136, 272; 239/102.2, 225.1, 227, 229, 264.3; D32/17, 32; 15/104 R, 104.09, 104.94

[56] References Cited

U.S. PATENT DOCUMENTS

D. 139,376	11/1944	Bissell	.....	D32/17
D. 281,349	11/1985	Goldish	.....	D23/17
3,990,731	11/1976	Schnipke	.....	285/136

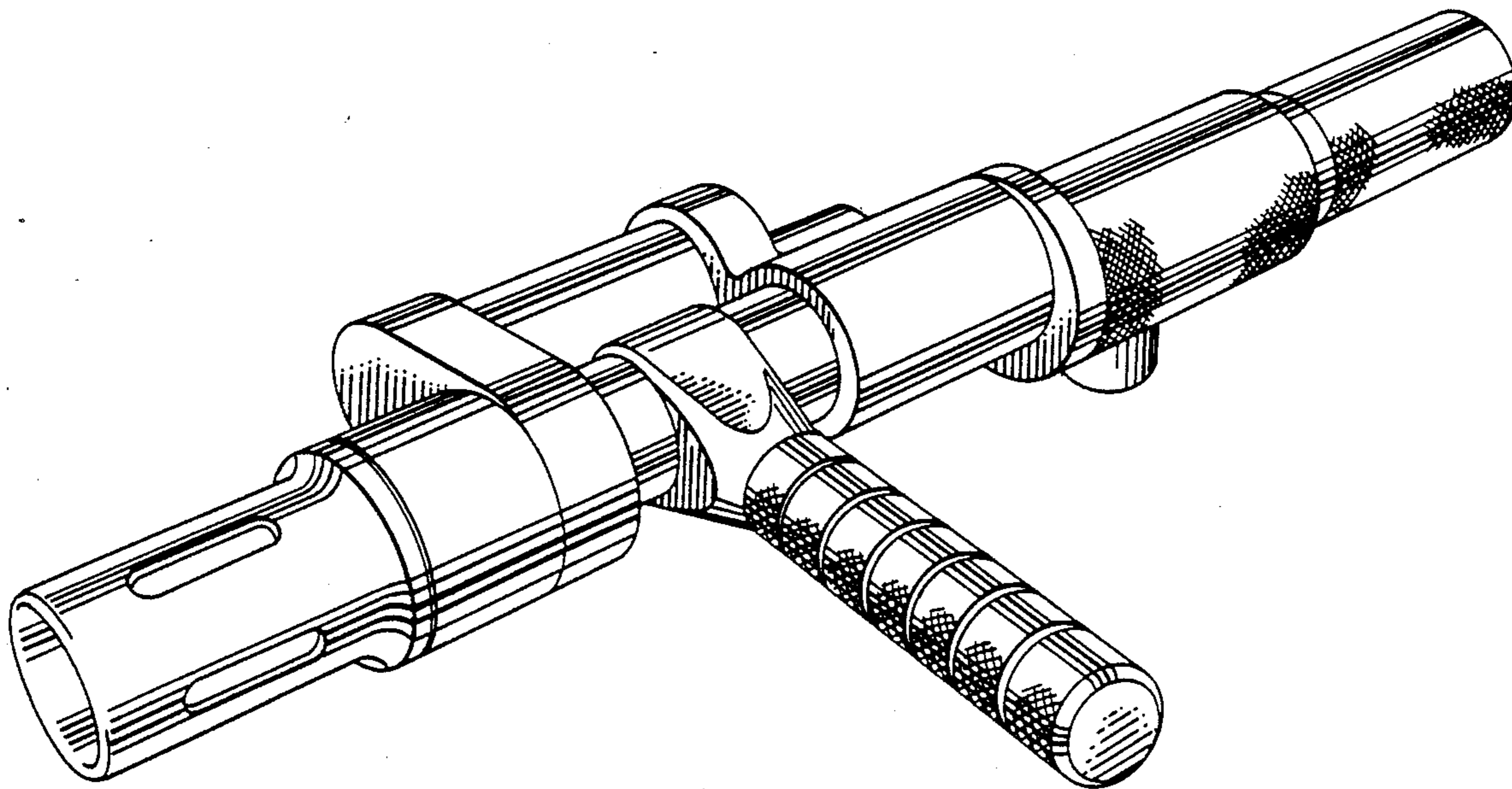
Primary Examiner—Wallace R. Burke  
Assistant Examiner—Brian N. Vinson

[57] CLAIM

The ornamental design for a rotary high pressure water jet cleaning tool, as shown and described.

DESCRIPTION

FIG. 1 is a right side elevational view of a rotary high pressure water jet cleaning tool, showing my new design; FIG. 2 is a bottom plan view thereof; FIG. 3 is a left side elevational view thereof; FIG. 4 is a top plan view thereof; FIG. 5 is a rear elevational view thereof; FIG. 6 is a front elevational view thereof; and FIG. 7 is a front, bottom perspective view thereof. The broken-line showing of the connecting tubing elements is for illustrative purposes only and forms no part of the claimed design.



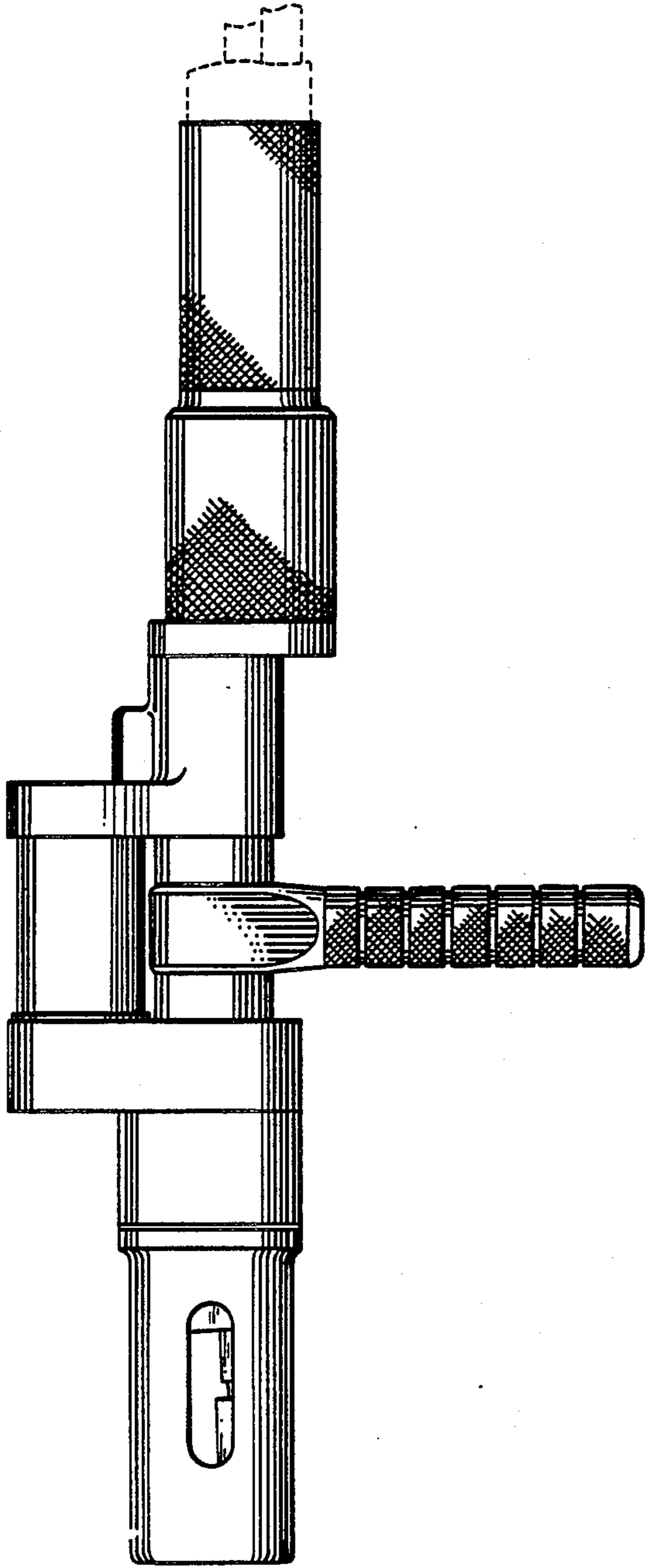


FIG. 1

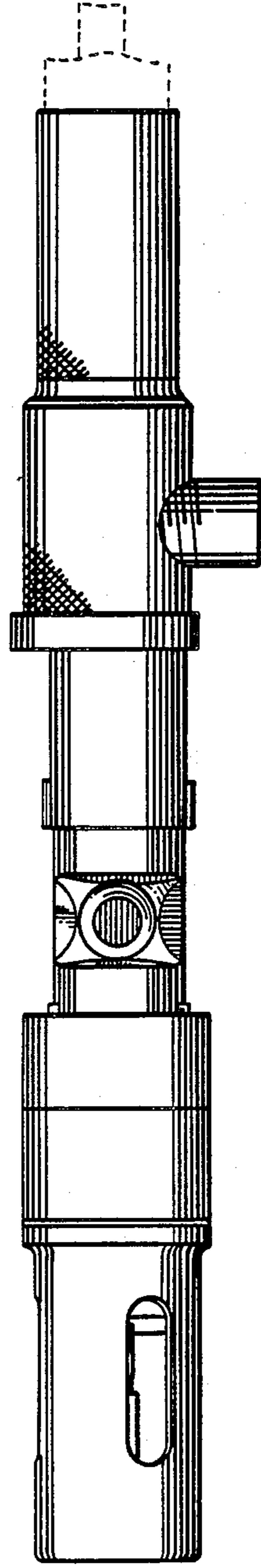


FIG. 2

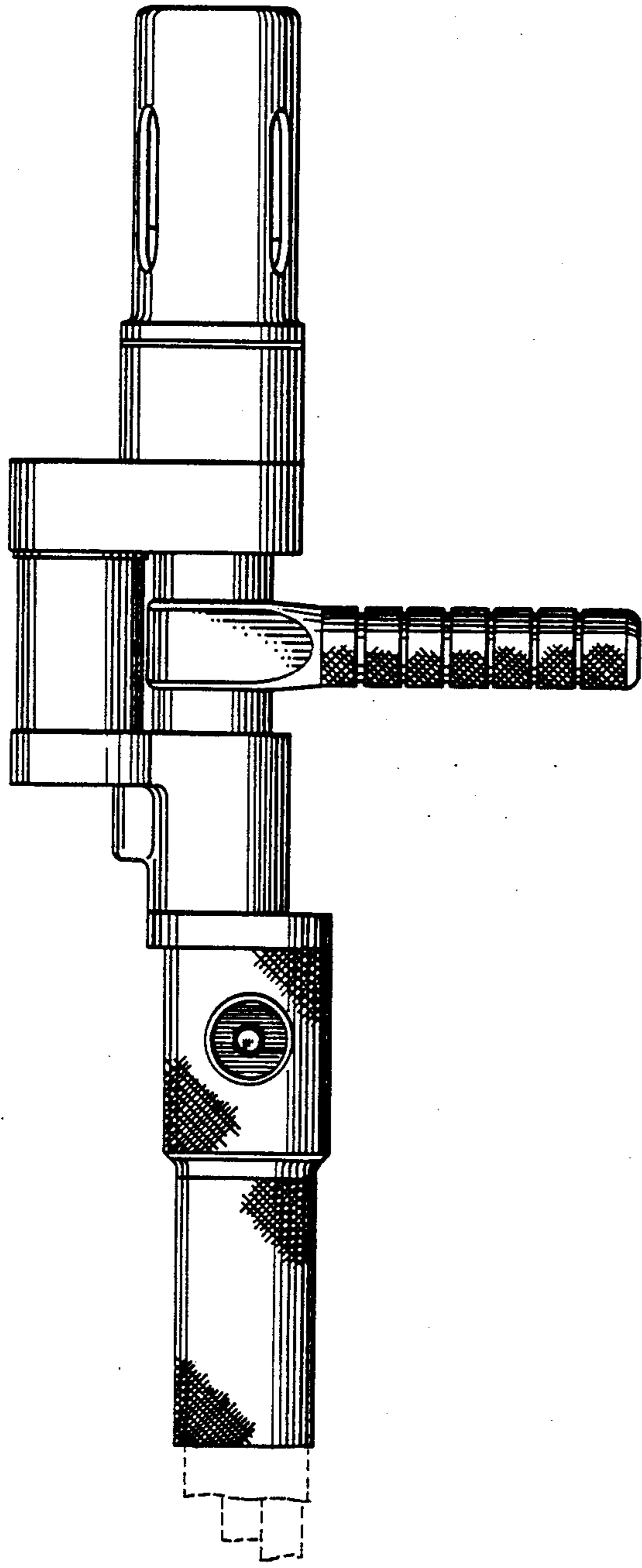


FIG. 3

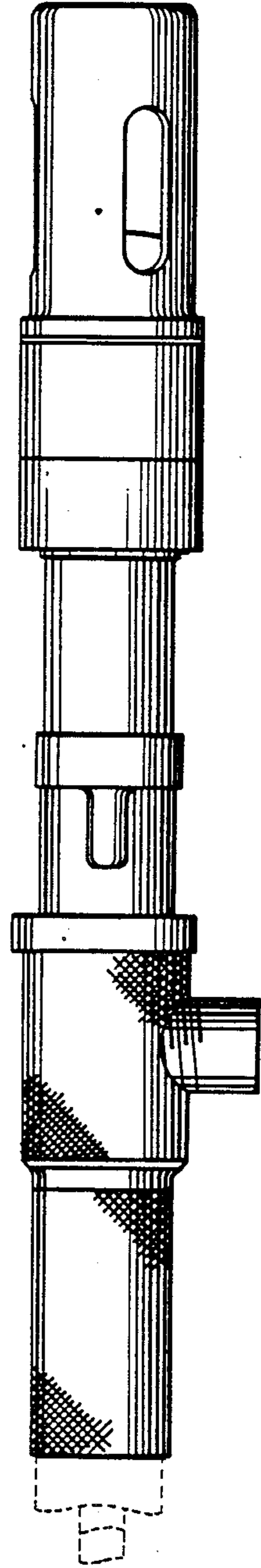


FIG. 4

FIG. 5

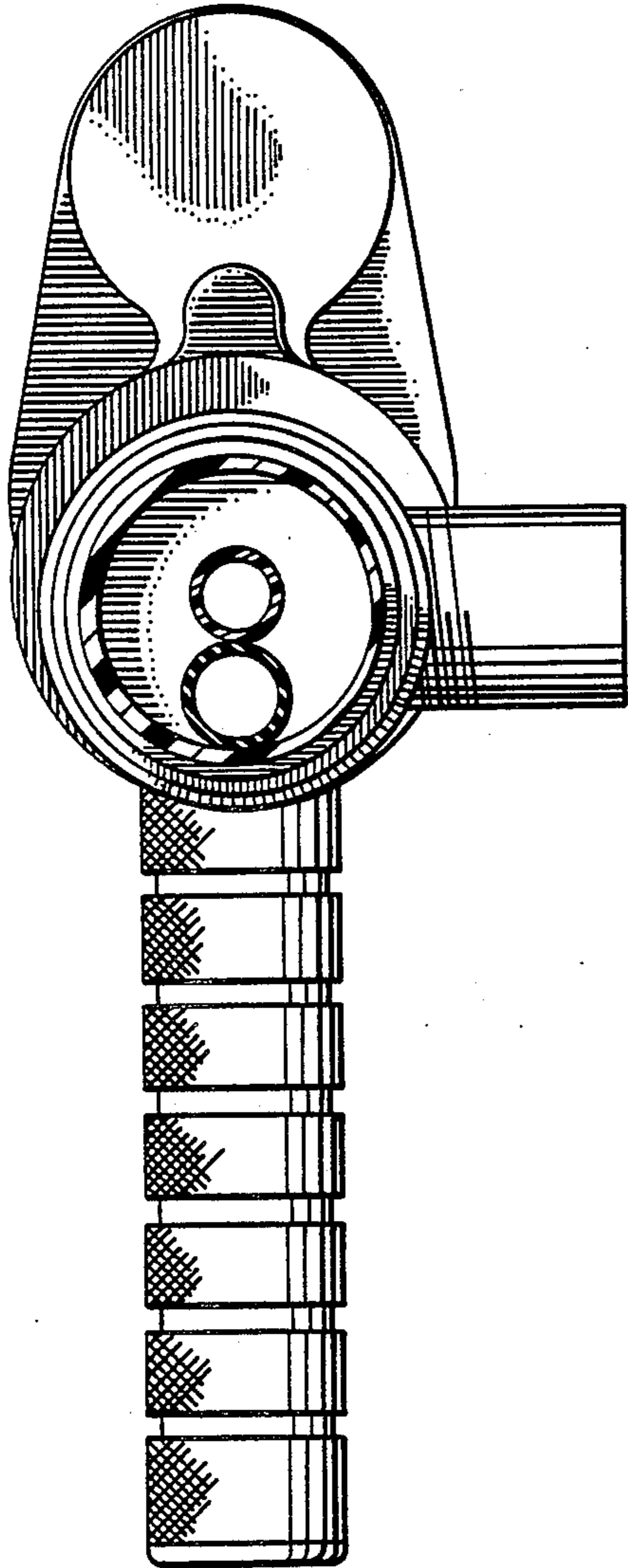
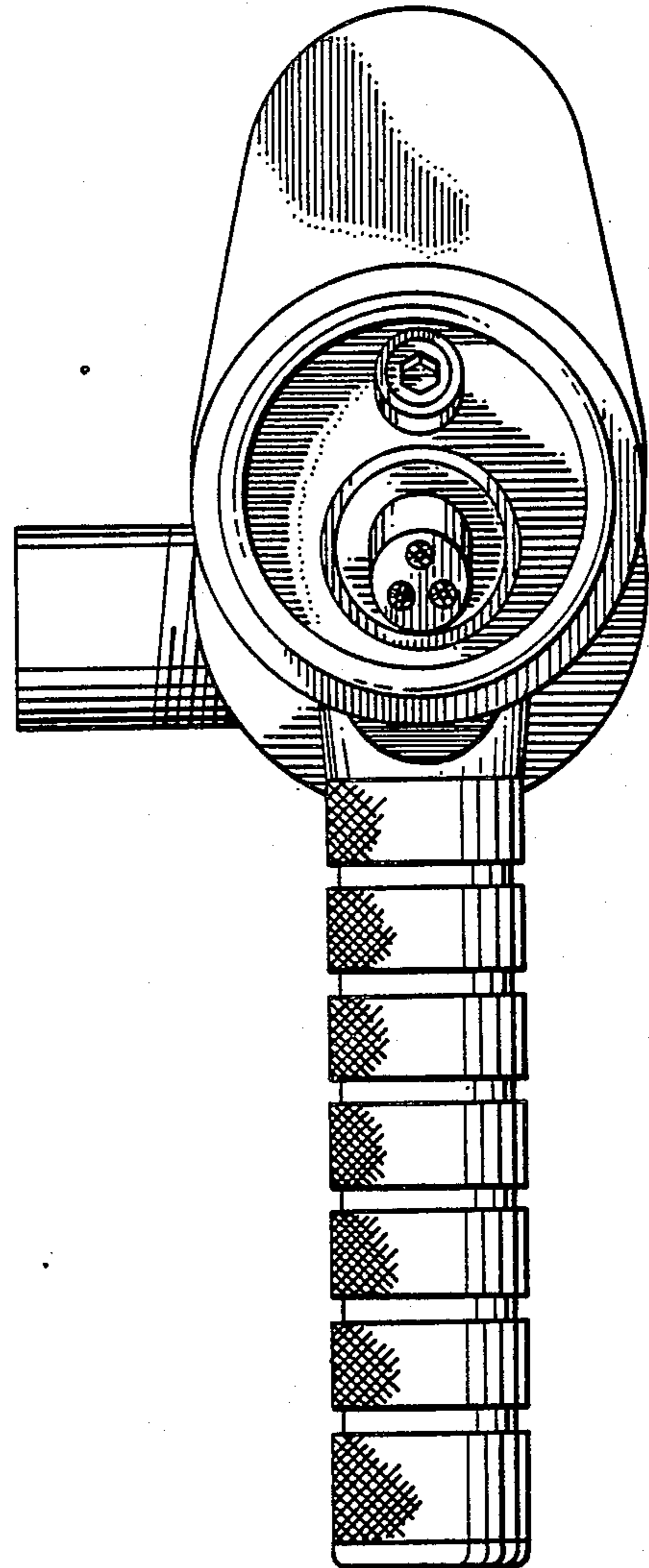


FIG. 6



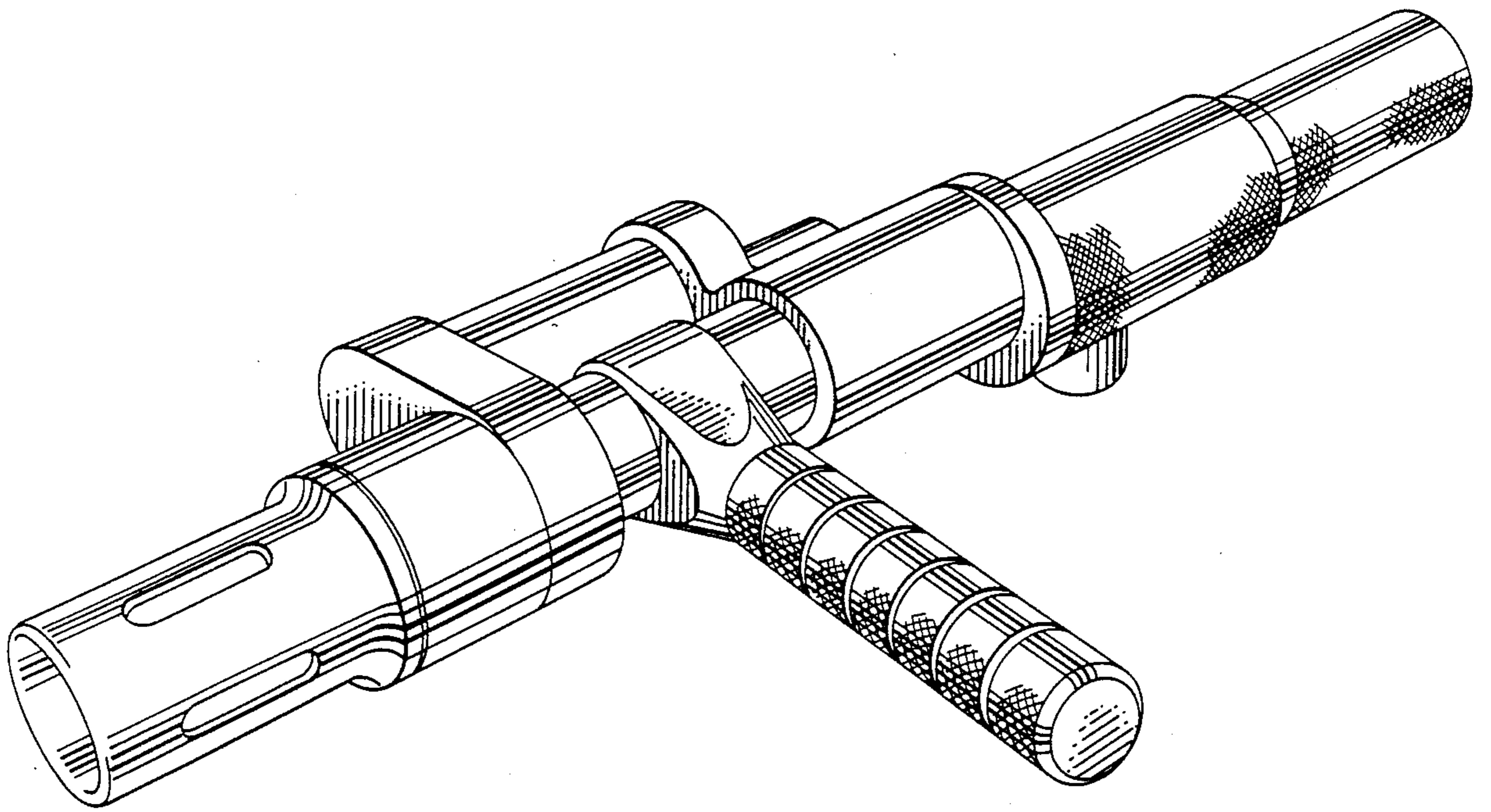


FIG. 7