

[54] FISHING REEL BODY

[75] Inventor: Yasuhisa Kameda, Tokyo, Japan

[73] Assignee: Daiwa Seiko, Inc., Tokyo, Japan

[\*\*] Term: 14 Years

[21] Appl. No.: 744,717

[22] Filed: Jun. 14, 1985

[52] U.S. Cl. .... D22/141

[58] Field of Search ..... D22/140, 141;  
242/84.1 R, 84.2 R, 84.2 A

[56] References Cited

U.S. PATENT DOCUMENTS

- D. 256,493 8/1980 Okada ..... D22/141
- D. 273,220 3/1984 Iinuma et al. .... D22/141

Primary Examiner—A. Hugo Word

Attorney, Agent, or Firm—Cushman, Darby & Cushman

[57] CLAIM

The ornamental design for a fishing reel body, substantially as shown and described.

DESCRIPTION

FIG. 1 is a top, front and one side perspective view of a fishing reel body showing my new design;

FIG. 2 is a side elevation view of one side thereof;

FIG. 3 is a side elevation view of the opposite side thereof;

FIG. 4 is a top plan view thereof;

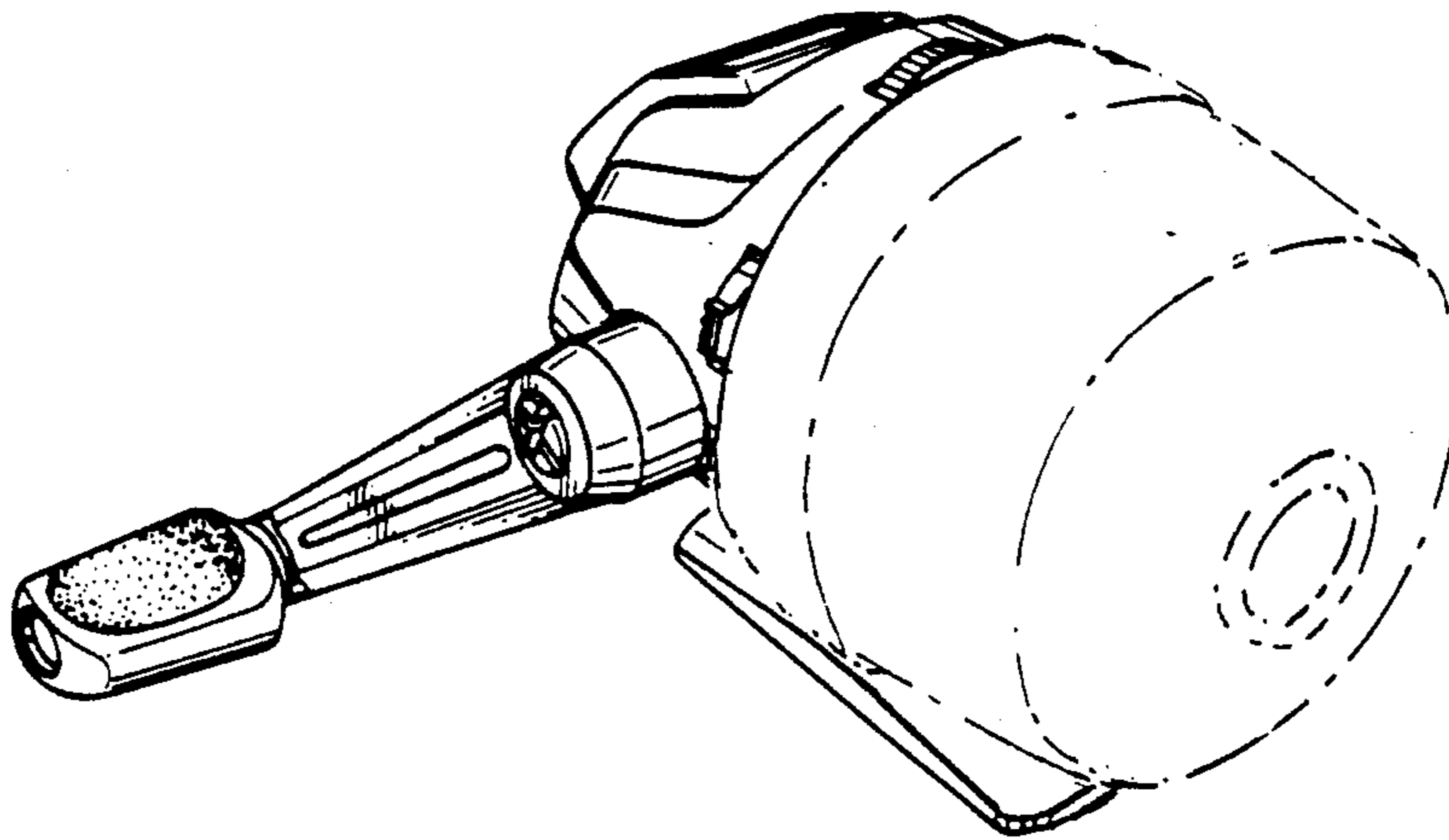
FIG. 5 is a bottom plan view thereof;

FIG. 6 is a front elevation view thereof;

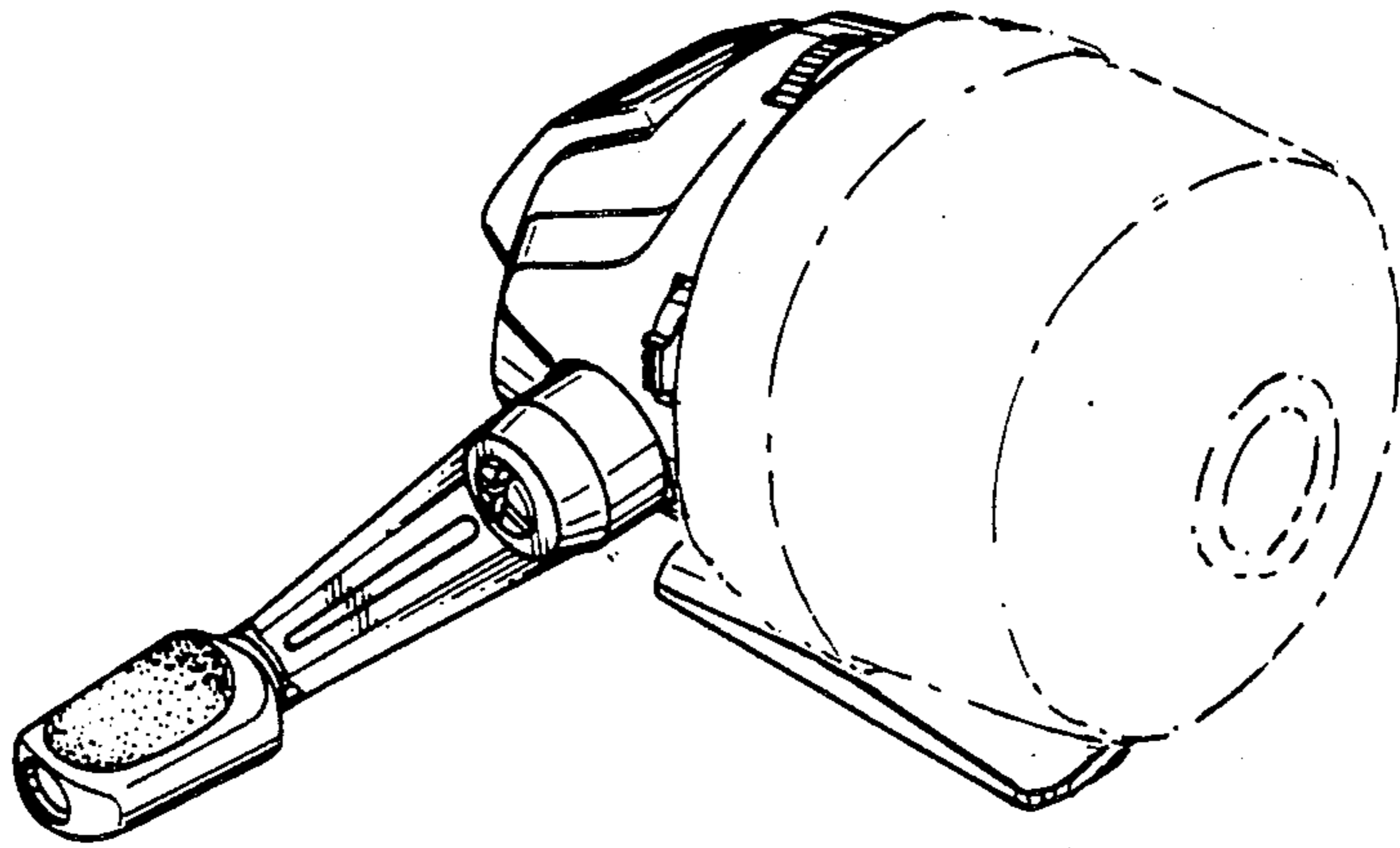
FIG. 7 is a rear elevation view thereof; and

FIG. 8 is a top, rear and the opposite side perspective view thereof.

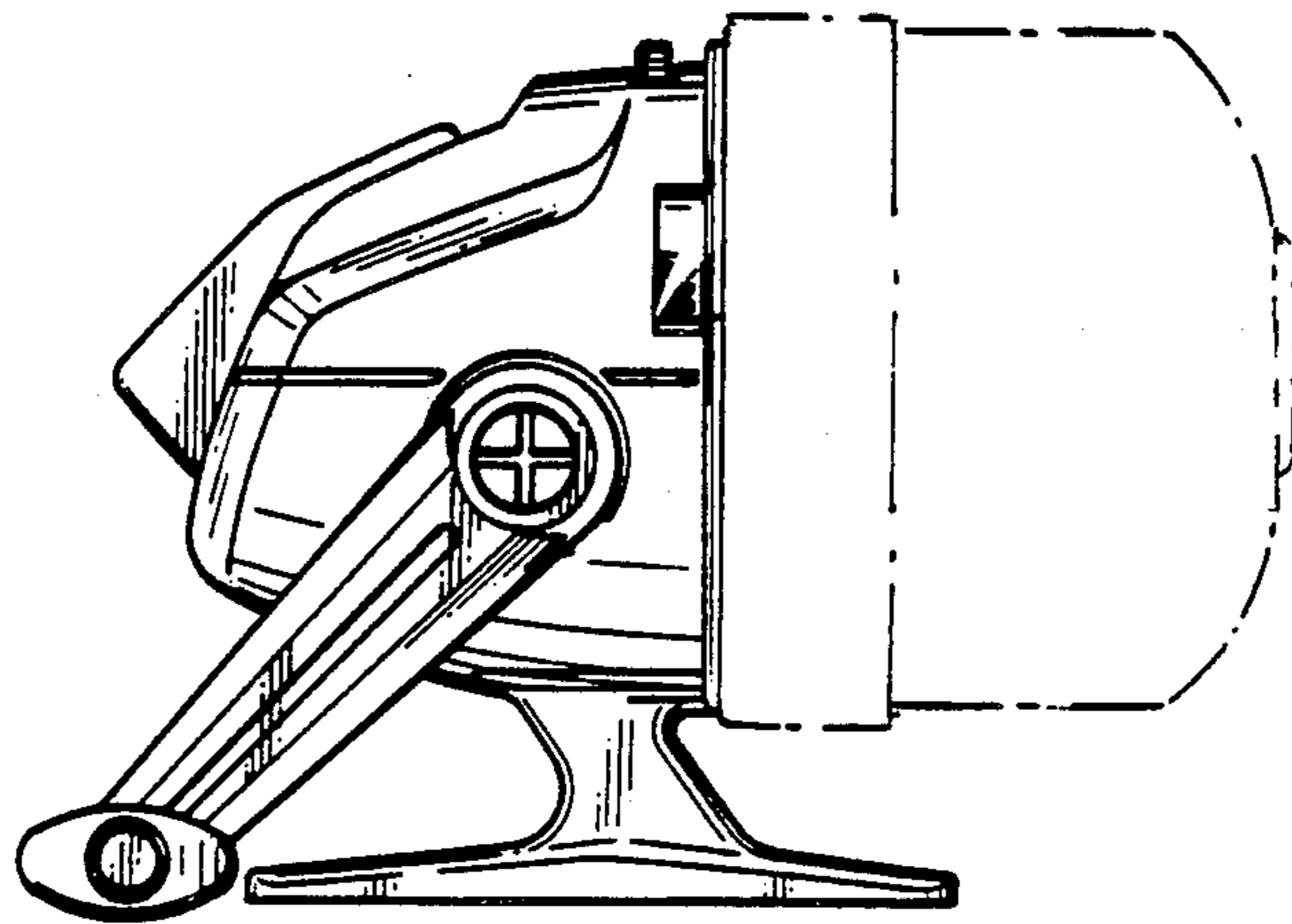
Broken lines showing a front cover forms no part of the claimed design and is for illustrated purposes only.



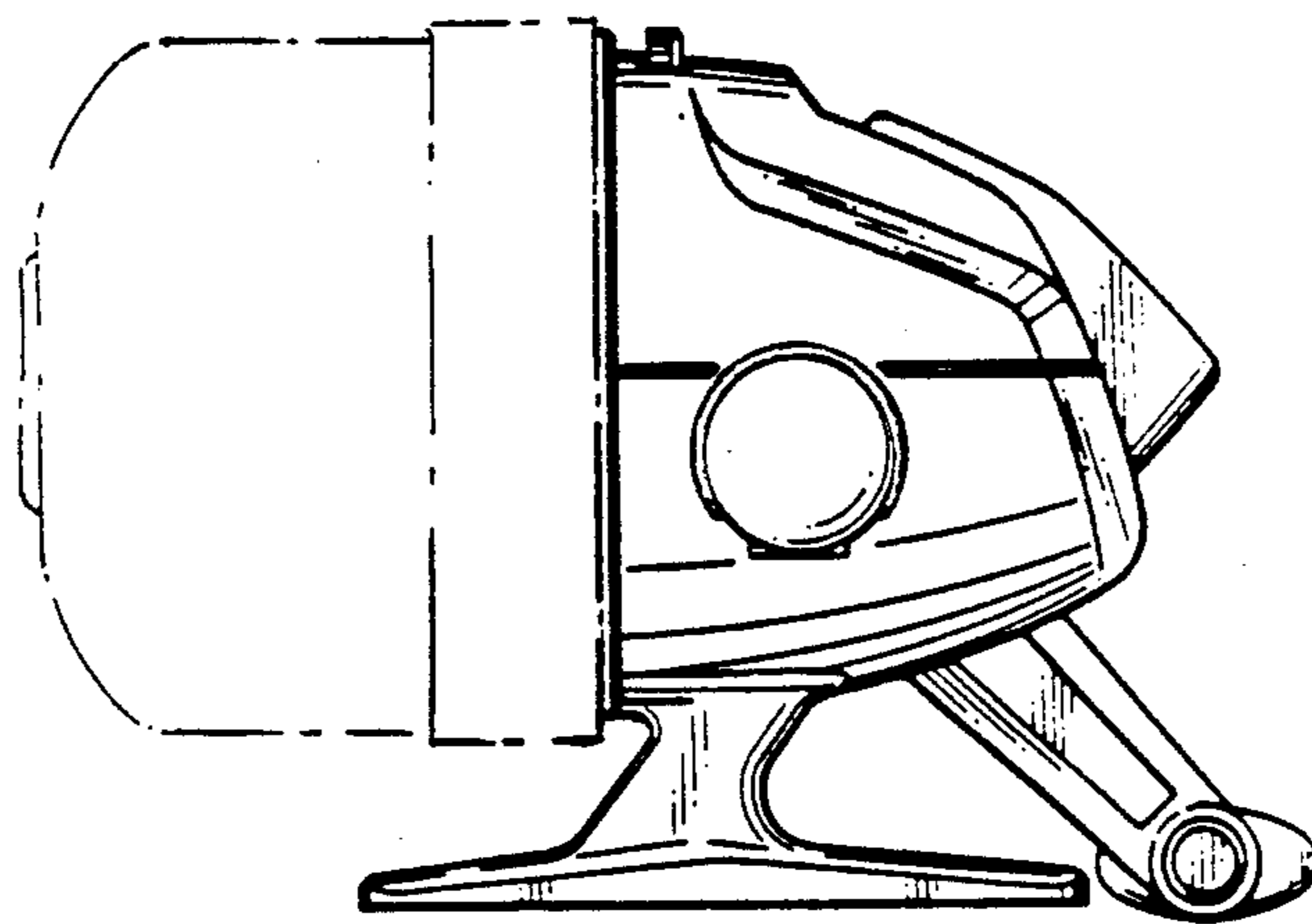
*Fig. 1*



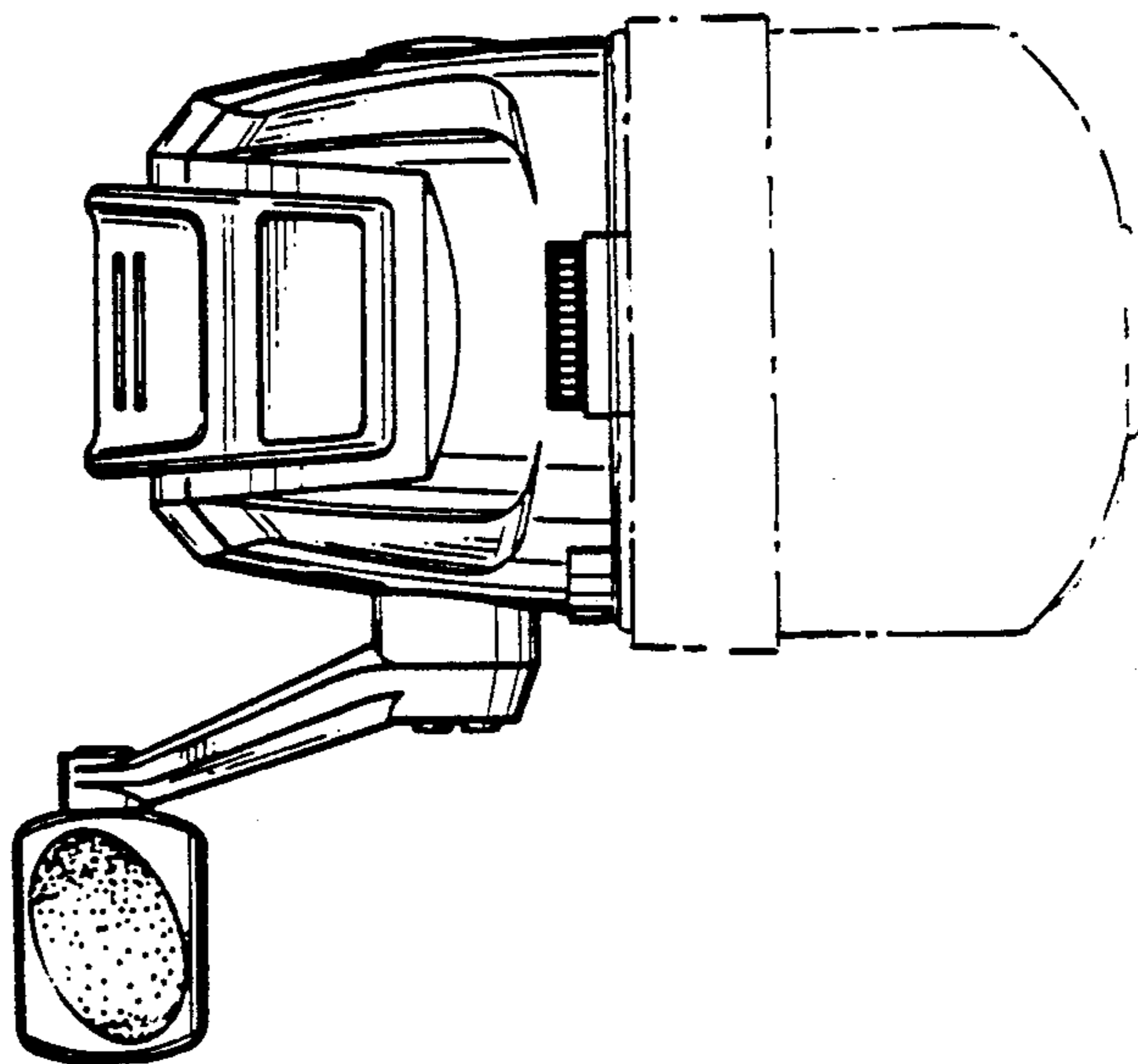
*Fig. 2*



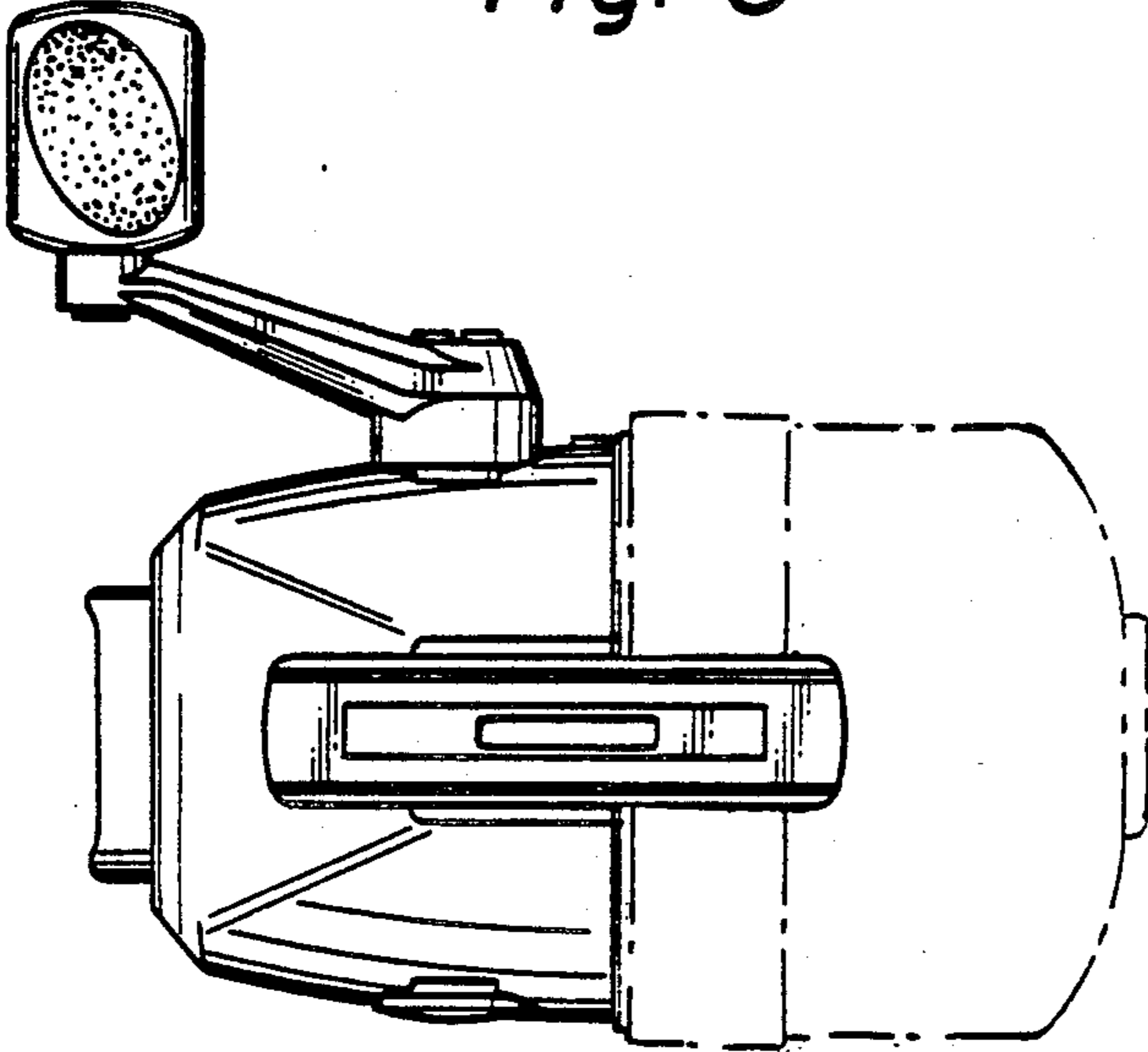
*Fig. 3*



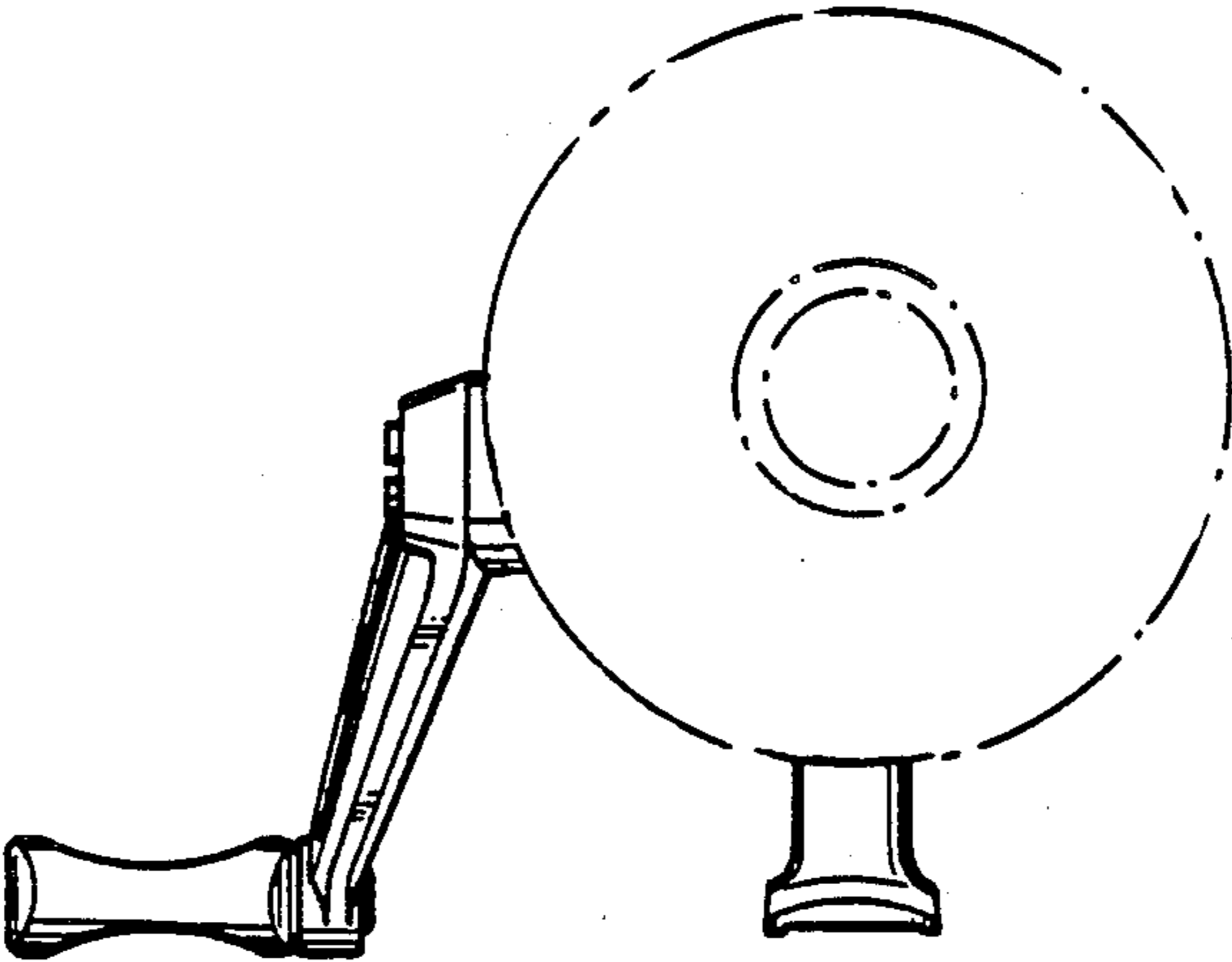
*Fig. 4*



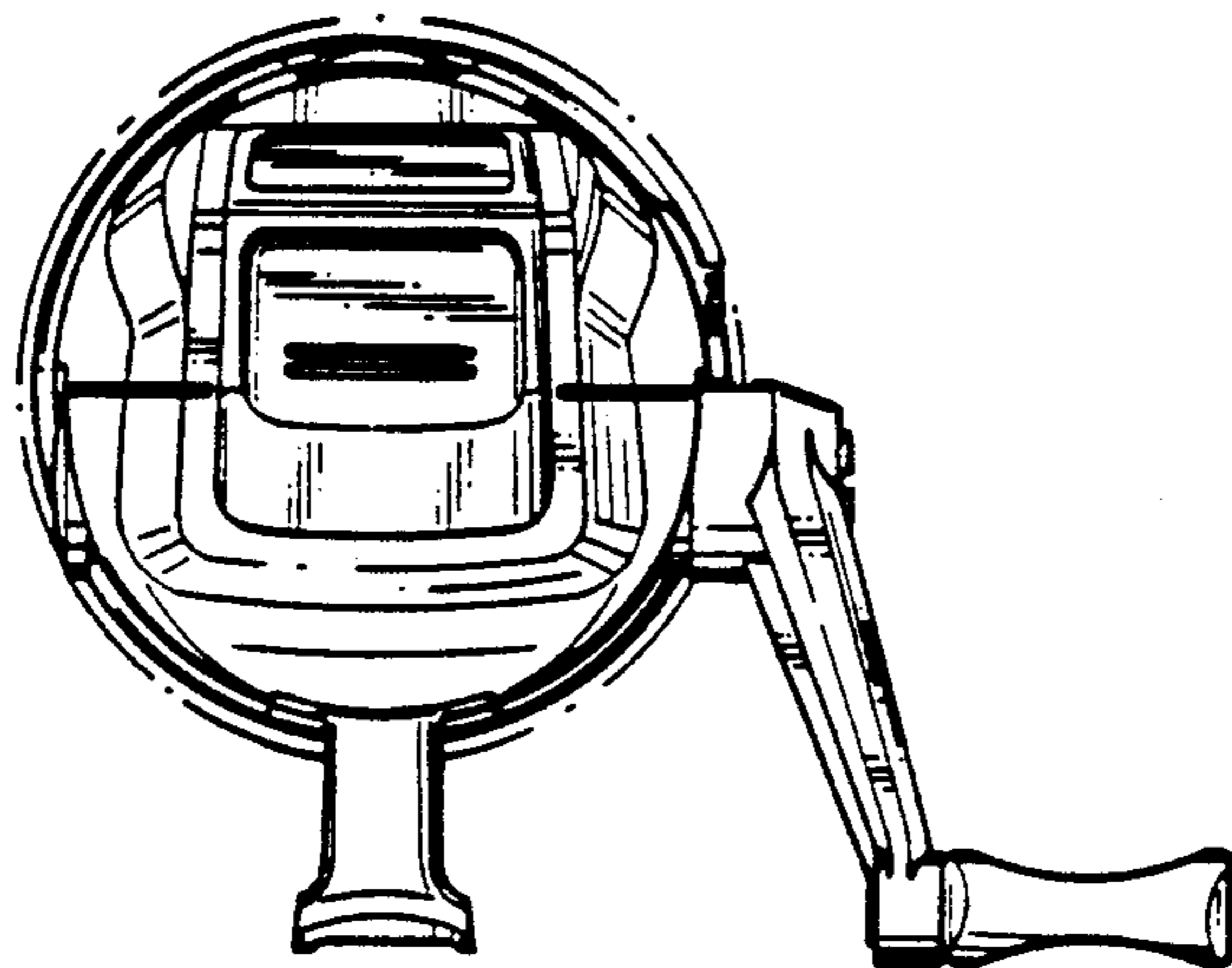
*Fig. 5*



*Fig. 6*



*Fig.7*



*Fig.8*

