

# United States Patent [19]

Kwan

[11] Patent Number: Des. 295,772

[45] Date of Patent: \*\* May 17, 1988

[54] TOY TRUCK

[75] Inventor: Luk C. Kwan, Los Angeles, Calif.

[73] Assignee: Tai Tung International, Inc., Los Angeles, Calif.

[\*\*] Term: 14 Years

[21] Appl. No.: 746,749

[22] Filed: Jun. 20, 1985

[52] U.S. Cl. .... D21/140

[58] Field of Search ..... D21/71, 73, 76, 78, D21/77, 79, 80, 128, 131, 132, 134, 135, 136, 137, 140, 141; D12/99; 280/1.11 R, 1.193; 446/465, 466, 468, 470, 471

[56] References Cited

### U.S. PATENT DOCUMENTS

- D. 150,101 6/1948 Wallace ..... D12/99
- D. 190,077 4/1961 Myers ..... D12/99

- D. 206,528 12/1966 Praat ..... D12/99
- D. 263,325 3/1982 Kanaoki ..... D21/133
- D. 279,589 7/1985 Marshall ..... D12/78

Primary Examiner—Charles A. Rademaker  
Attorney, Agent, or Firm—Frank Frisenda, Jr.

### [57] CLAIM

The ornamental design for a toy truck, substantially as shown and described.

### DESCRIPTION

FIG. 1 is a front perspective view of a toy truck showing my new design;  
 FIG. 2 is a left side elevational view thereof, the side opposite being a mirror image;  
 FIG. 3 is a top plan view thereof;  
 FIG. 4 is a front elevational view thereof; and,  
 FIG. 5 is a rear elevational view thereof.  
 The unshown bottom aspect of the claimed design is substantially flat, plain and unornamented.

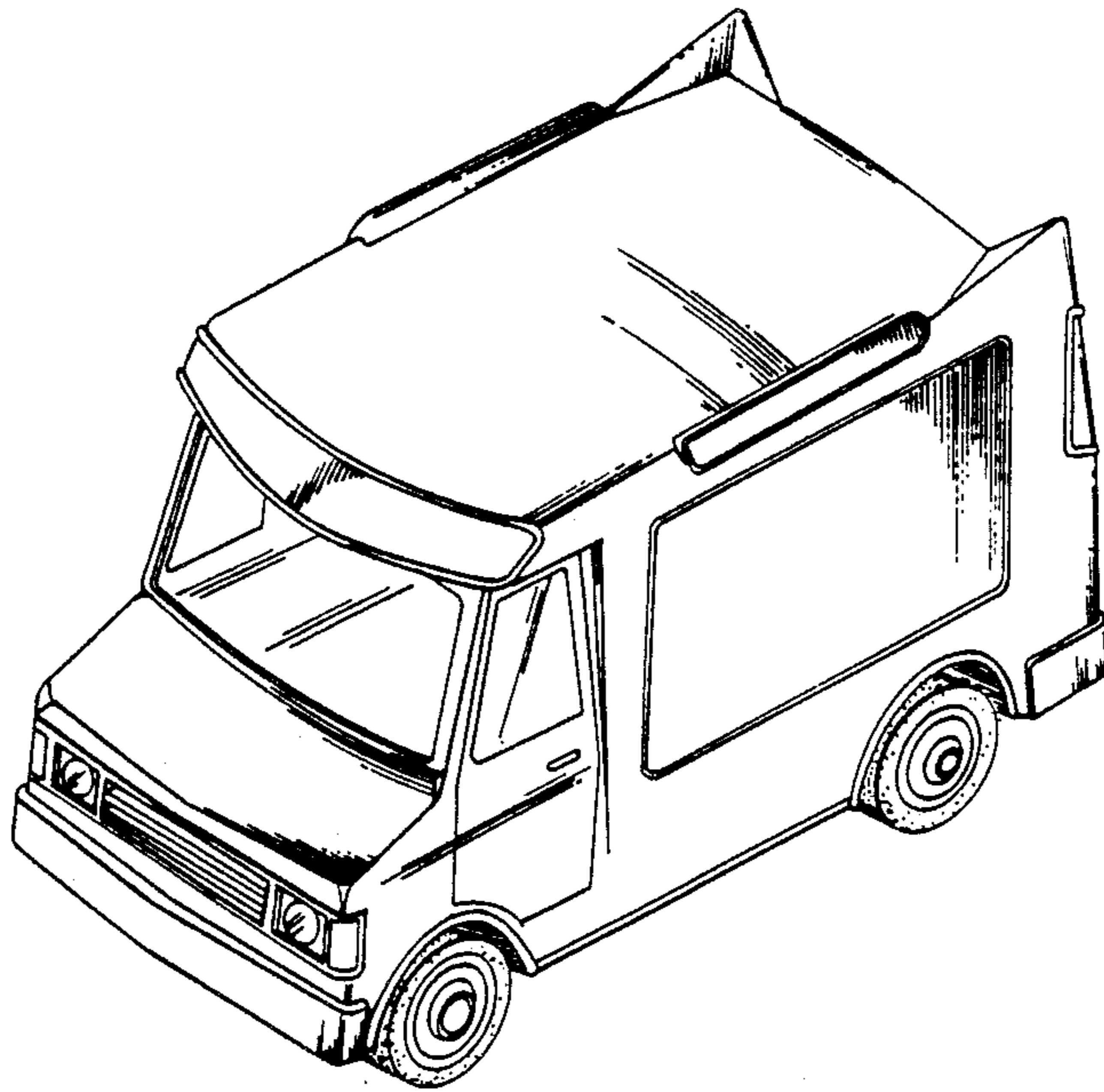


Fig. 1.

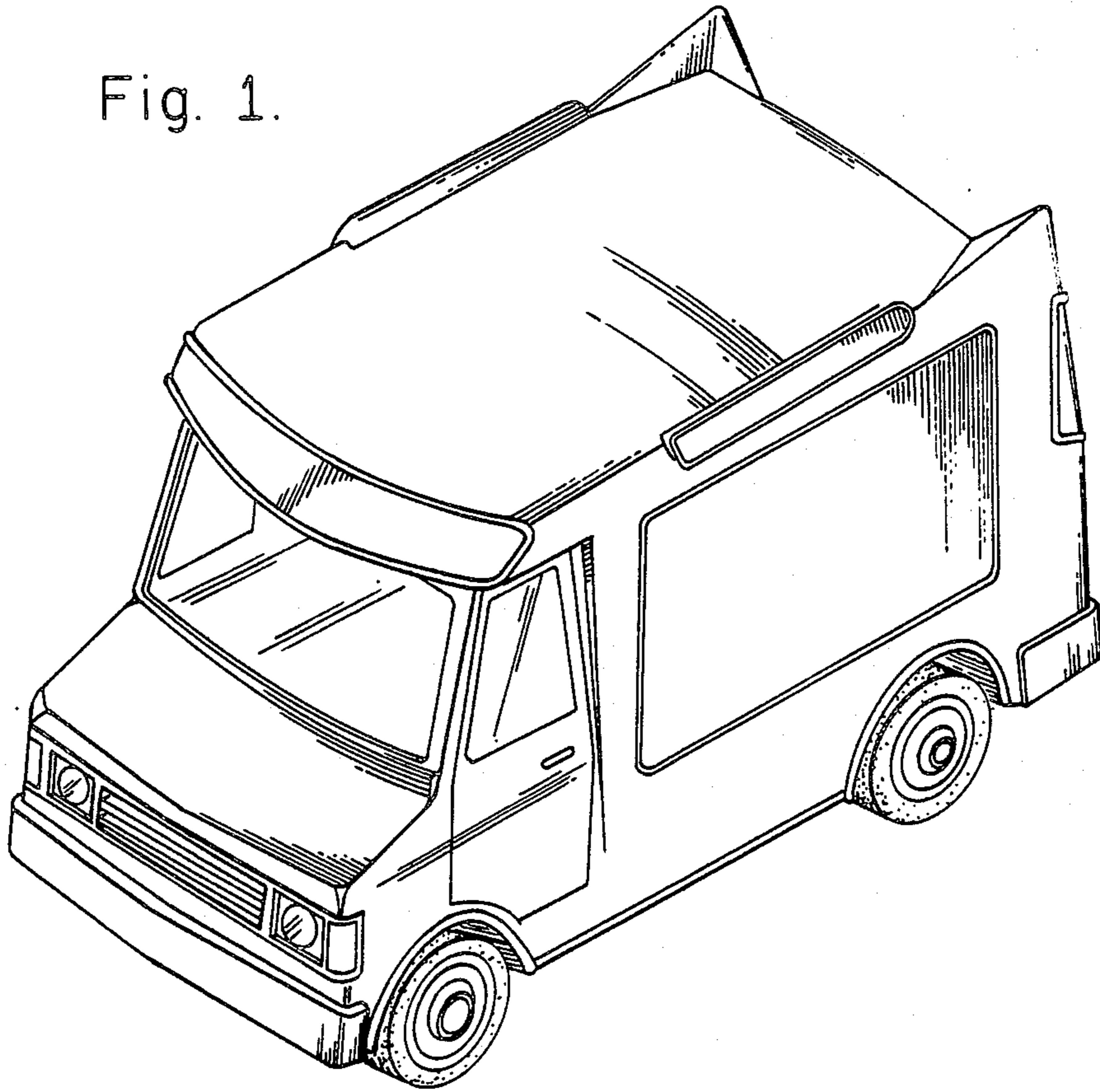


Fig. 2.

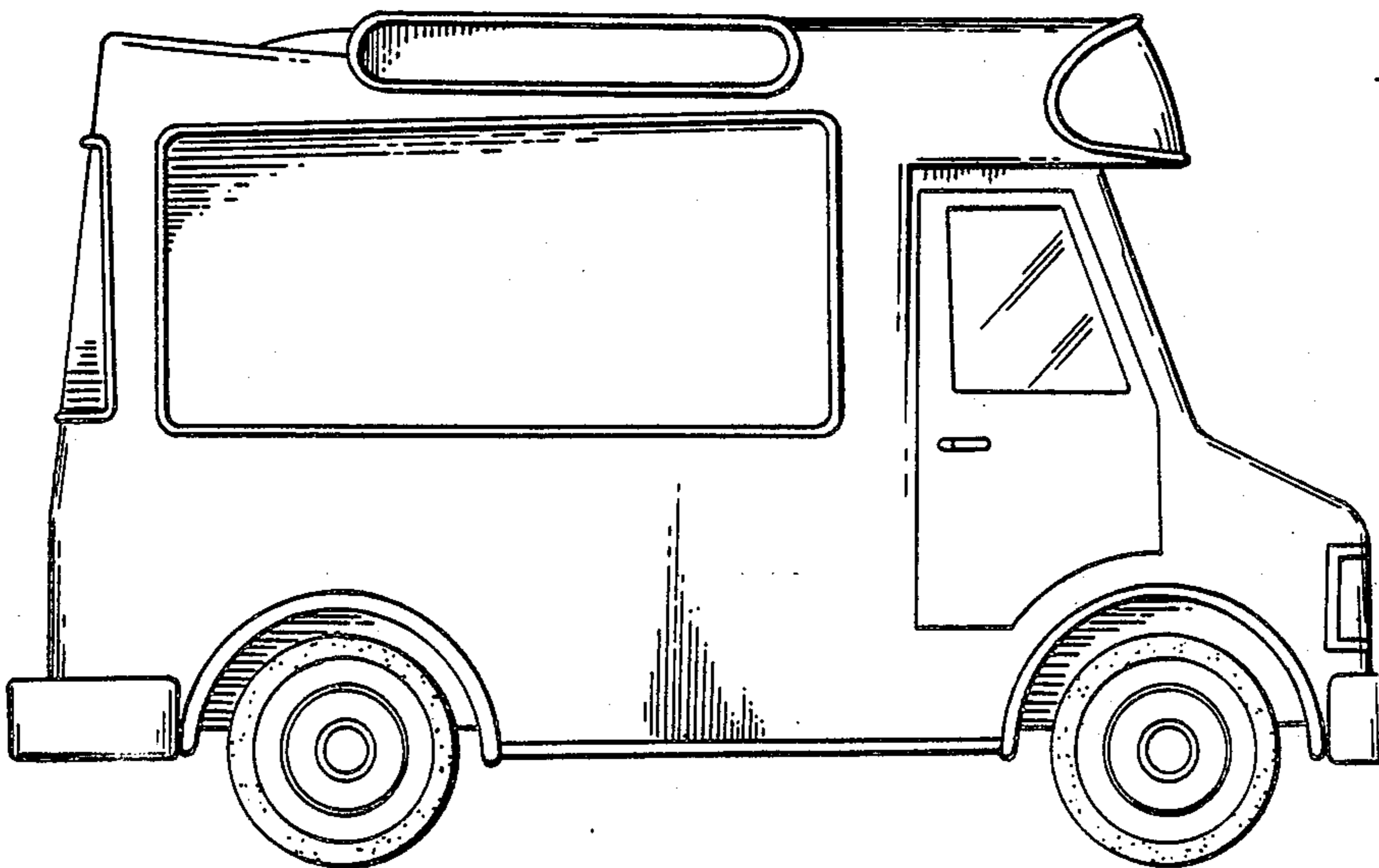


Fig. 3.

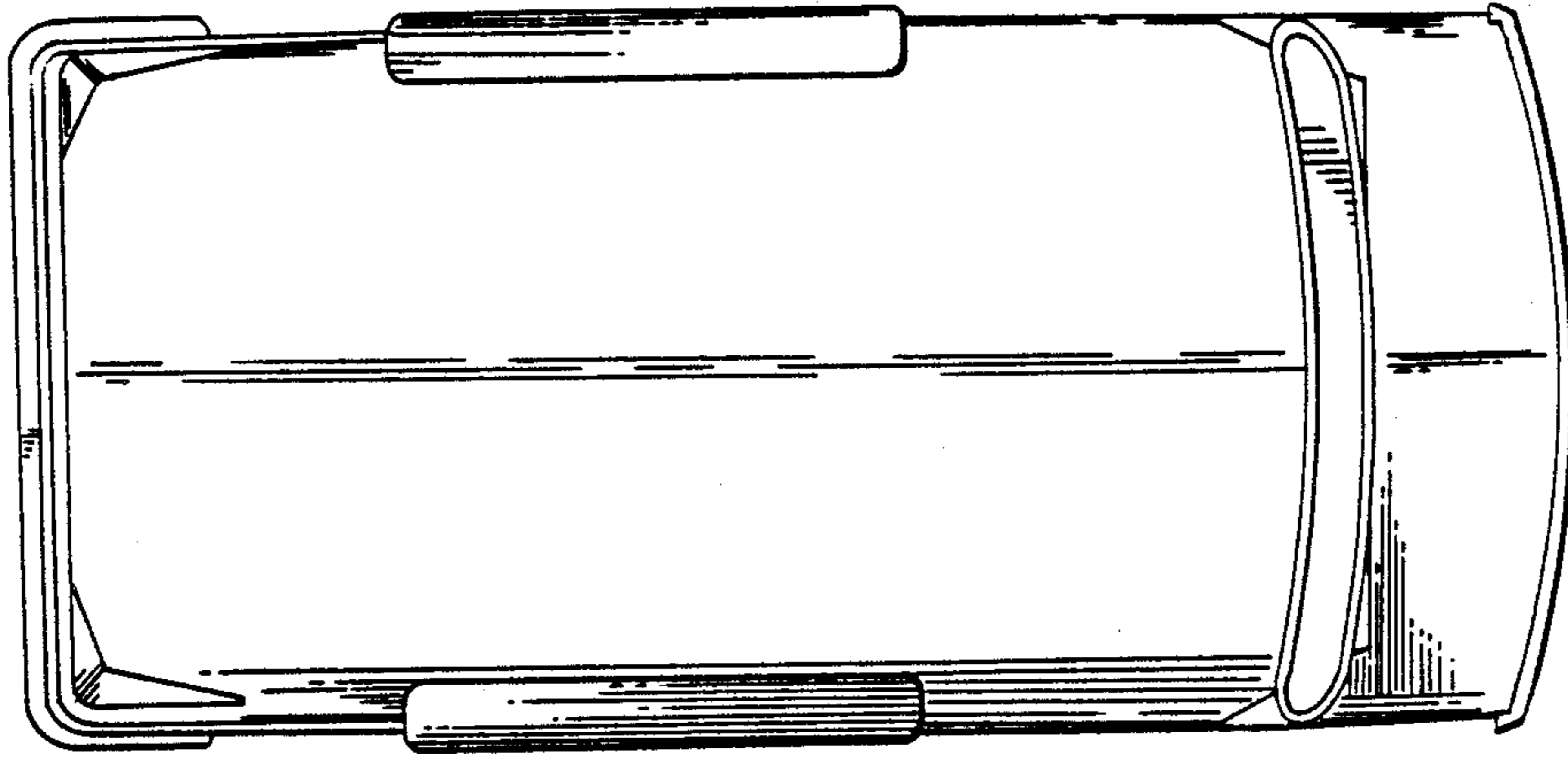


Fig. 4.

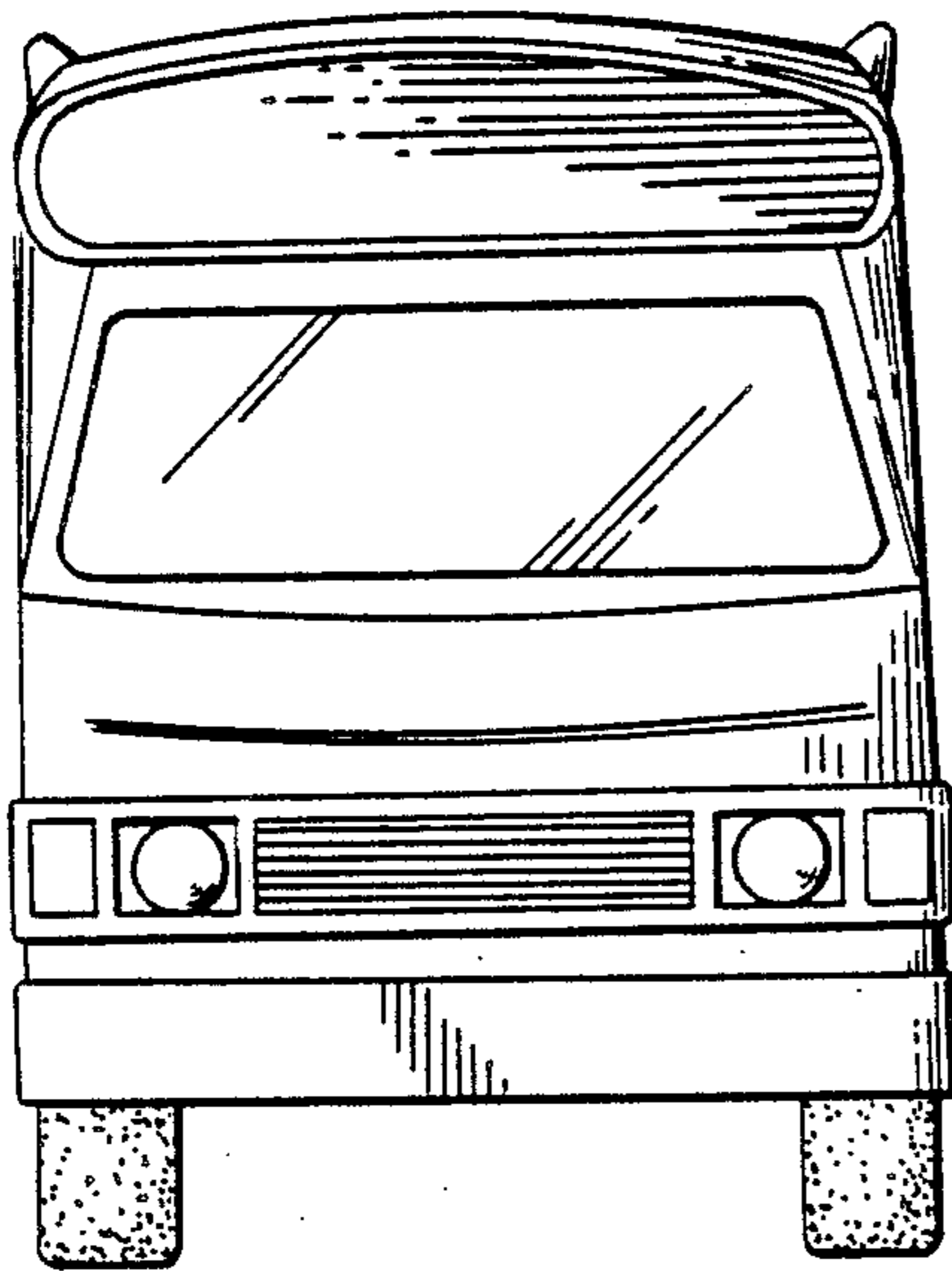


Fig. 5.

