

[54] TOY VACUUM CLEANER

[75] Inventor: M. Allyson Hilton, Orchard Park,
N.Y.

[73] Assignee: The Quaker Oats Company, Chicago,
Ill.

[**] Term: 14 Years

[21] Appl. No.: 923,709

[22] Filed: Oct. 27, 1986

Related U.S. Application Data

[63] Continuation-in-part of Ser. No. 794,057, Nov. 1, 1985.

[52] U.S. Cl. D21/122

[58] Field of Search D21/120, 121, 122, 59,
D21/109; D32/22; 446/144, 491

[56] References Cited

U.S. PATENT DOCUMENTS

D. 166,140	11/1952	Atkins	D21/122
D. 197,459	2/1964	Jepson et al.	D32/22
D. 219,235	11/1970	Schucker	D32/22
D. 232,616	9/1974	Wareham	D32/22
D. 274,446	6/1984	McIntosh	D21/122
D. 280,000	8/1985	Klawitter	D21/122

Primary Examiner—Charles A. Rademaker
Attorney, Agent, or Firm—Cumpston & Shaw

[57] CLAIM

The ornamental design for a toy vacuum cleaner, substantially as shown and described.

DESCRIPTION

FIG. 1 is a front elevational view of a toy vacuum cleaner showing my new design;

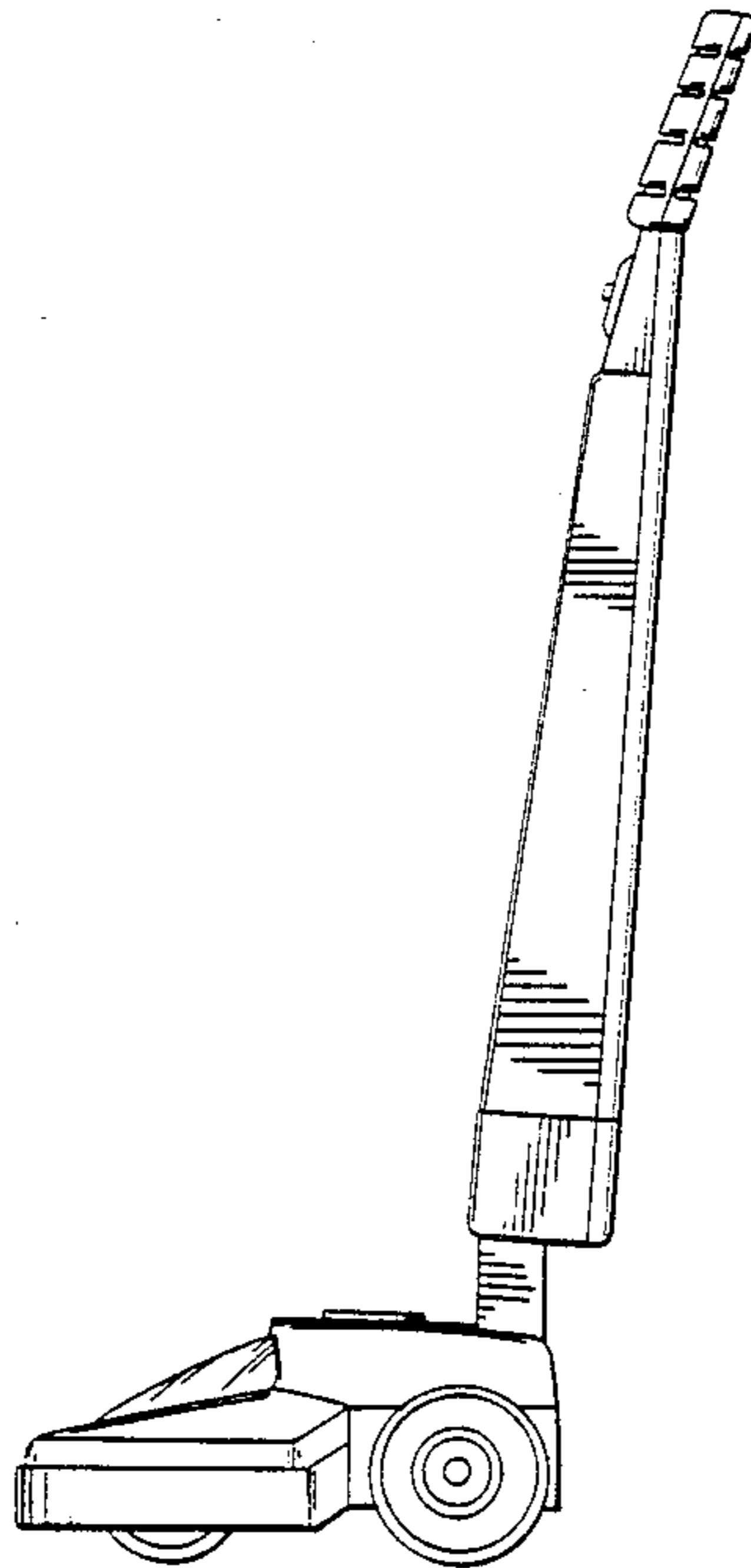
FIG. 2 is a right-side elevational view thereof;

FIG. 3 is a left-side elevational view thereof;

FIG. 4 is a top plan view thereof;

FIG. 5 is a rear elevational view thereof; and

FIG. 6 is a bottom plan view thereof.



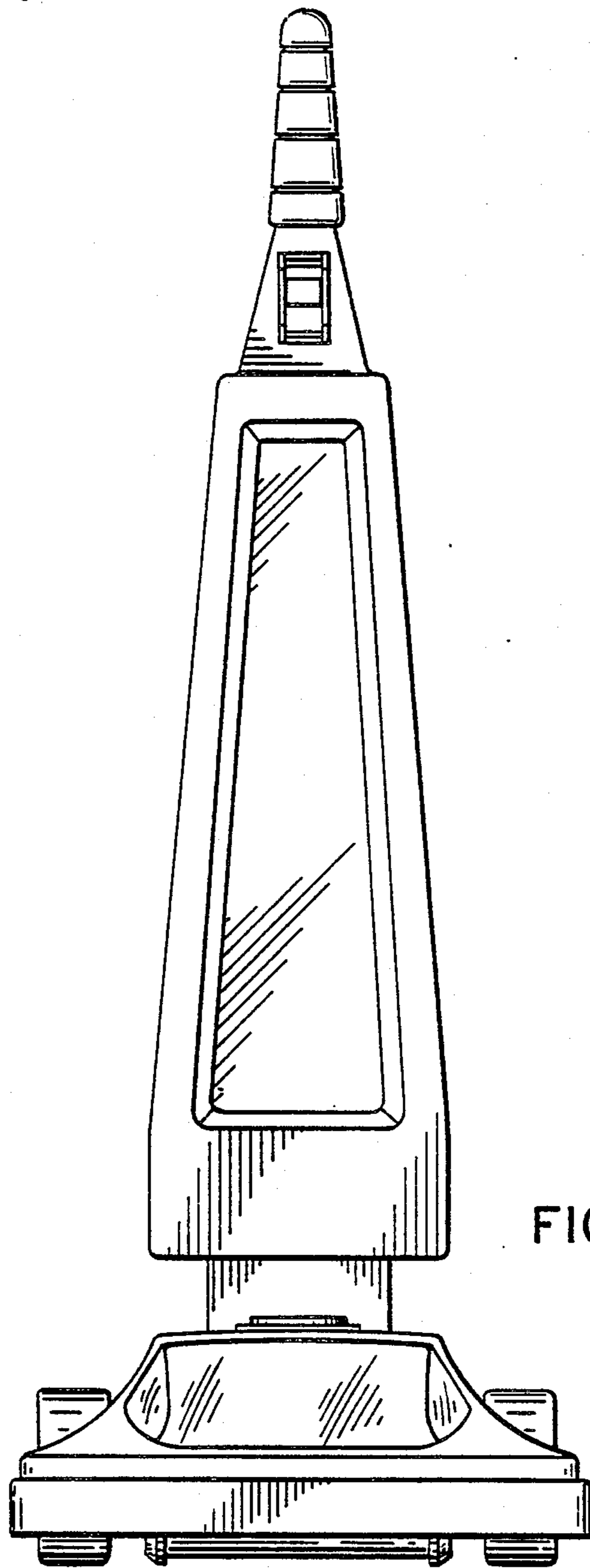


FIG. 1

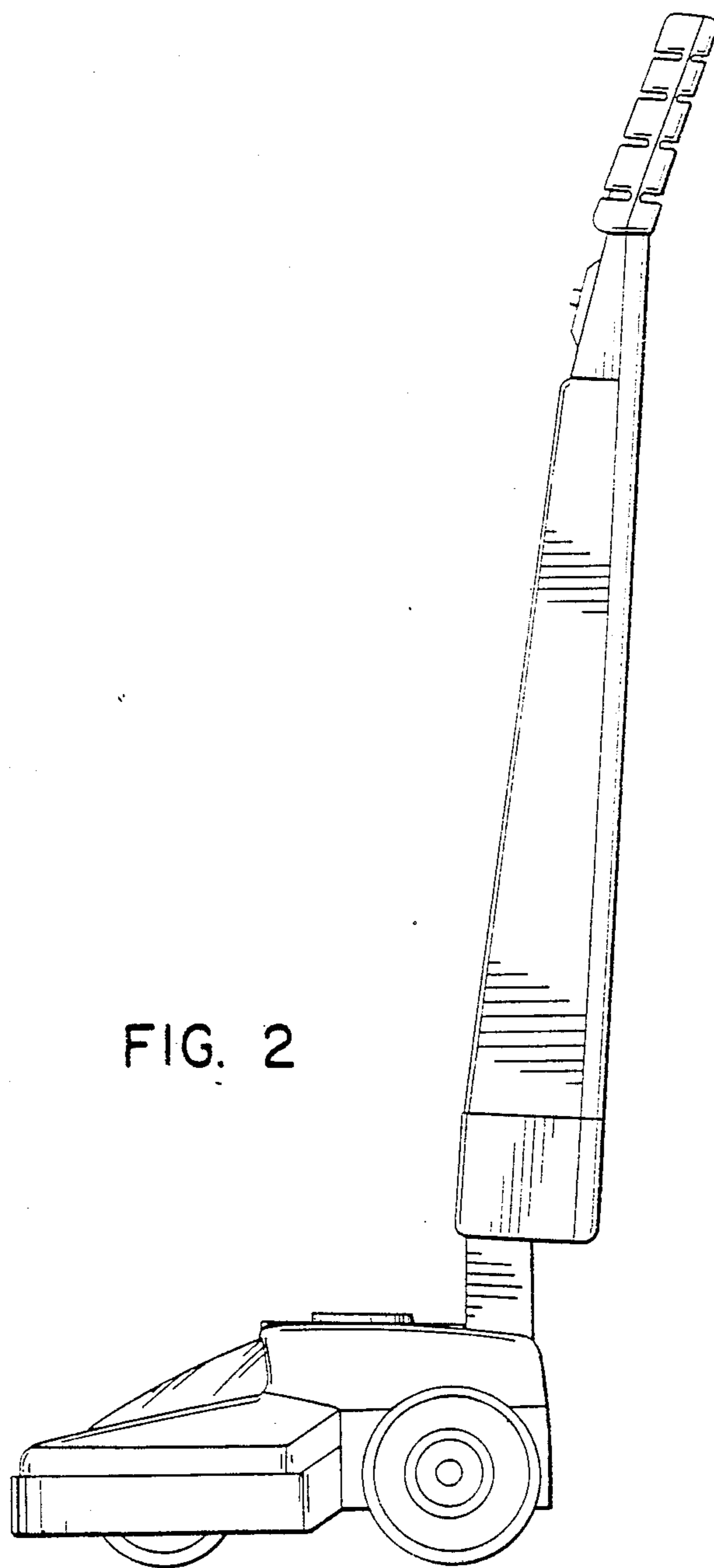


FIG. 2

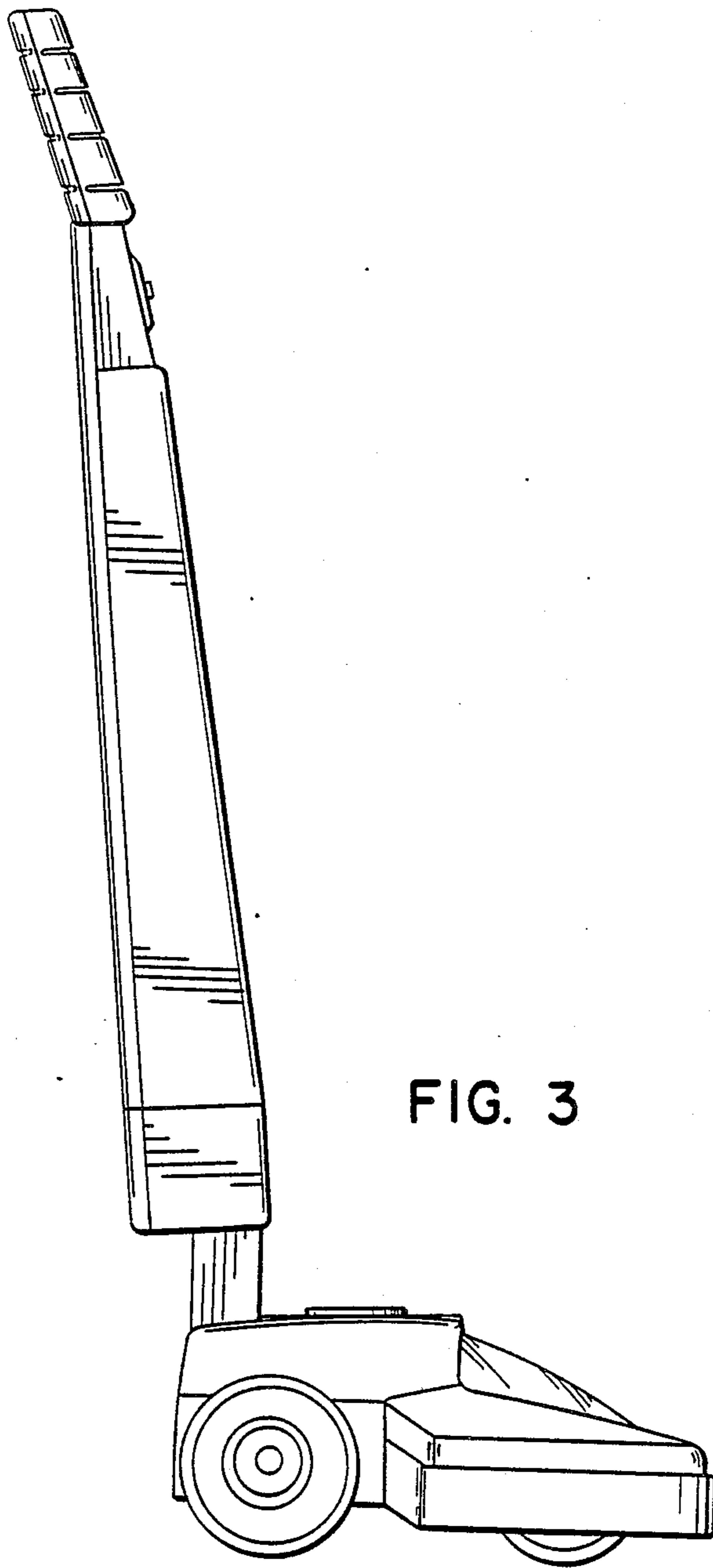


FIG. 3

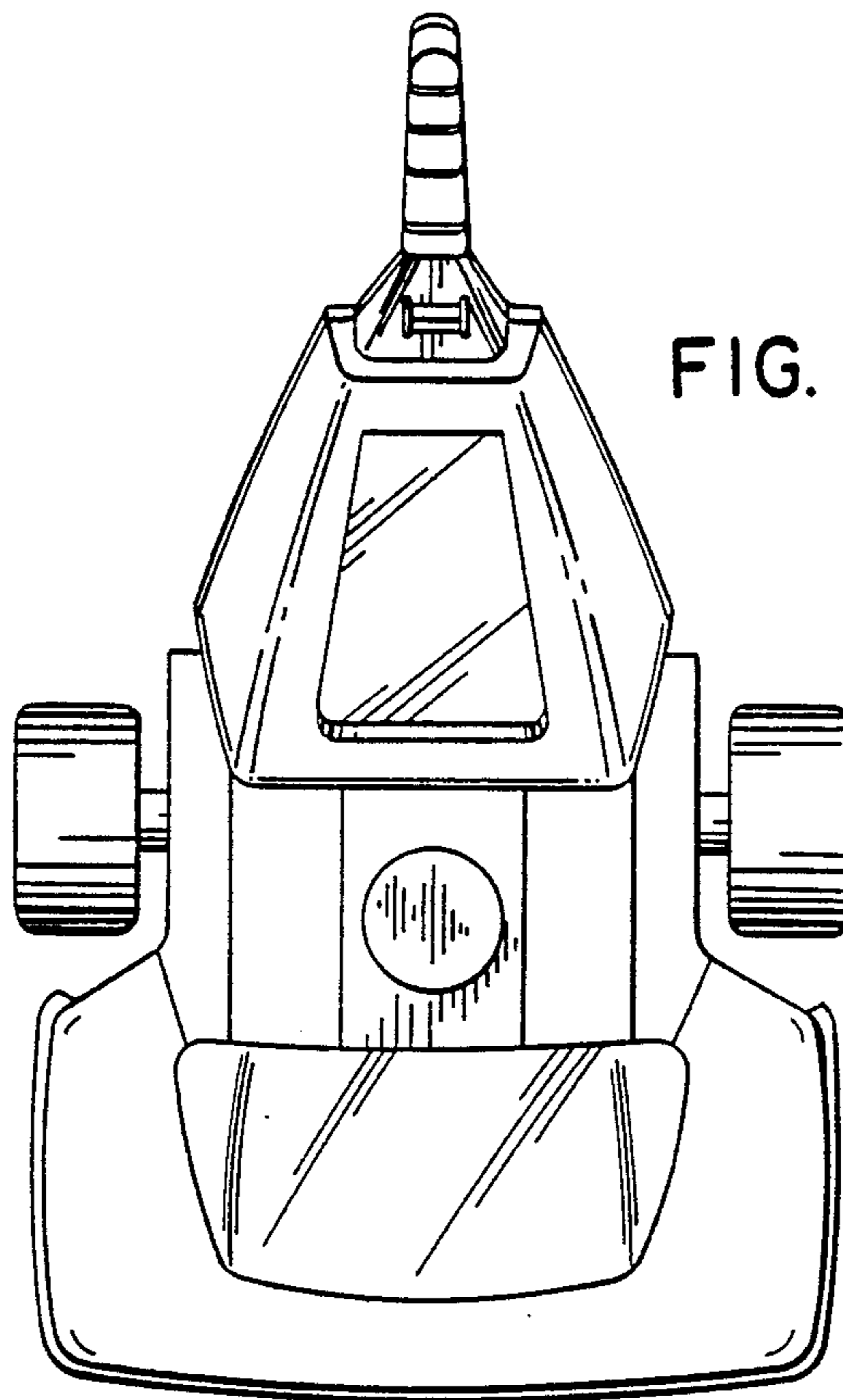


FIG. 4

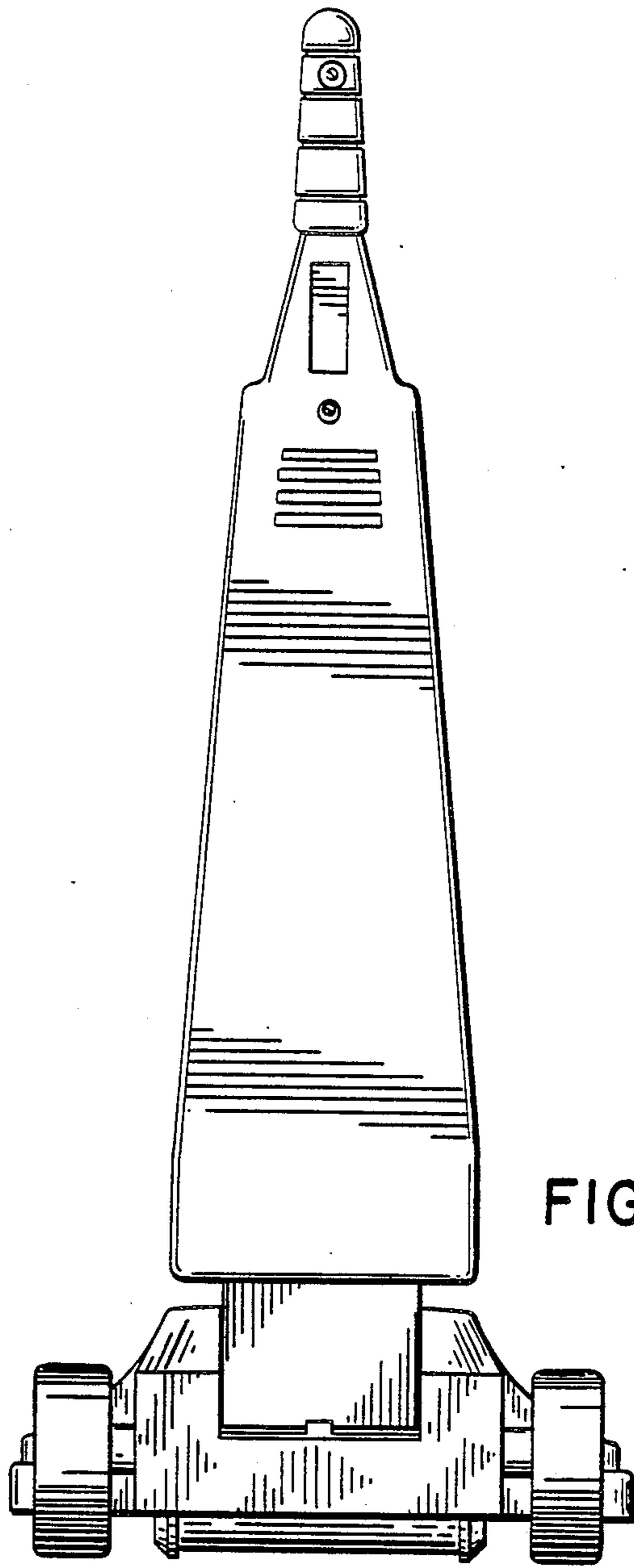


FIG. 5

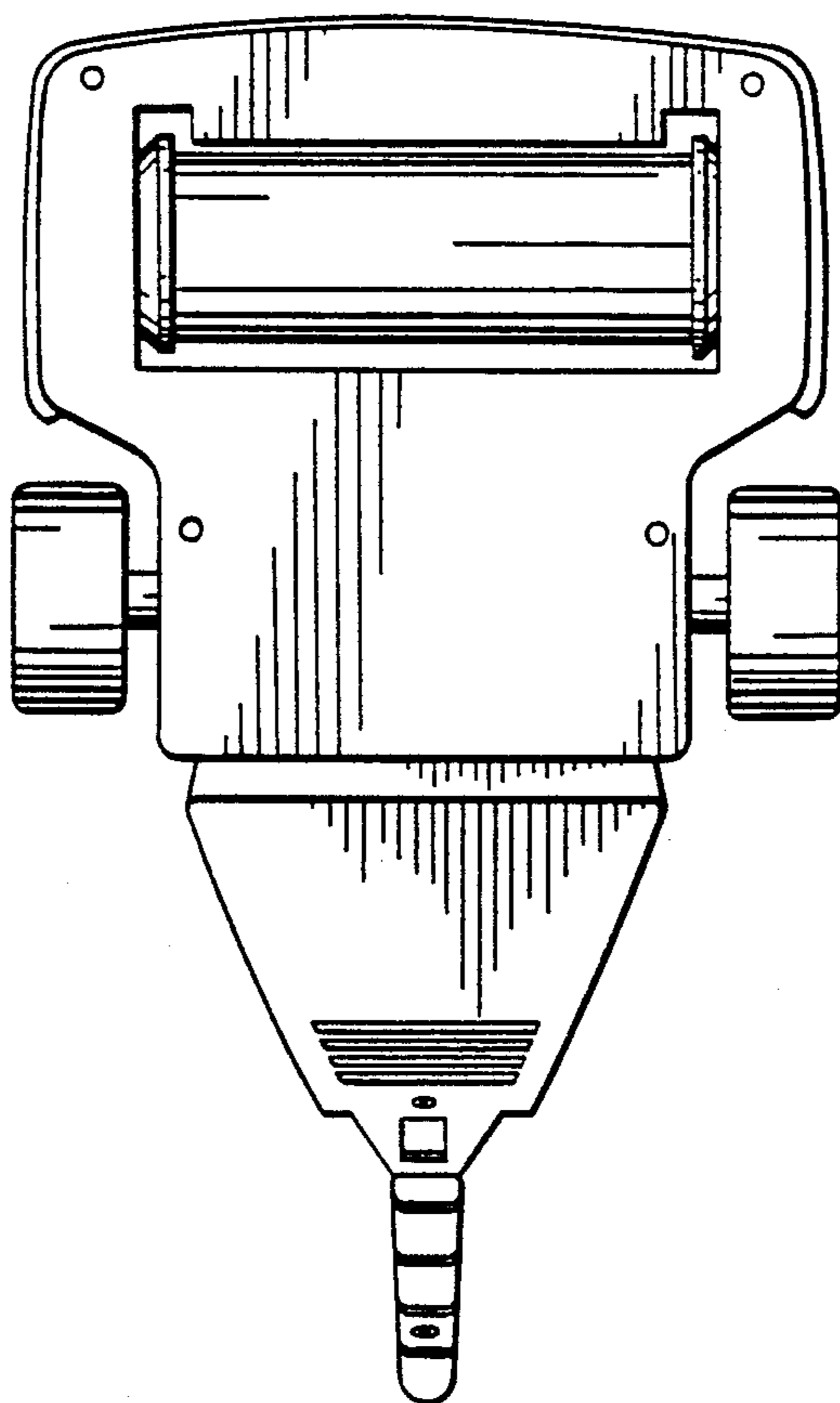


FIG. 6