

[54] SIMULATIVE TOY CONSTRUCTION PIECE

[75] Inventor: Philip M. Kushner, Greve Strand, Denmark

[73] Assignee: Interlego A.G., Baar, Switzerland

[**] Term: 14 Years

[21] Appl. No.: 935,695

[22] Filed: Nov. 26, 1986

[52] U.S. Cl. D21/108; D21/114

[58] Field of Search D21/114, 108; 446/85, 446/104, 106, 107, 108, 110, 117, 120, 121, 122, 124, 126, 127; D25/52

[56] References Cited

U.S. PATENT DOCUMENTS

D. 227,689	7/1973	Rae et al.	D21/114
D. 285,223	8/1986	Thomsen	D21/108
D. 290,722	7/1987	Kushner	D21/108
4,359,185	11/1982	Castro	D21/114

OTHER PUBLICATIONS

Toys-3, 1980, p. 30, Doll House Dormer. Gifts & Decorative Accessories, 3-1976, p. 72, Doll House Dormer at bottom of page.

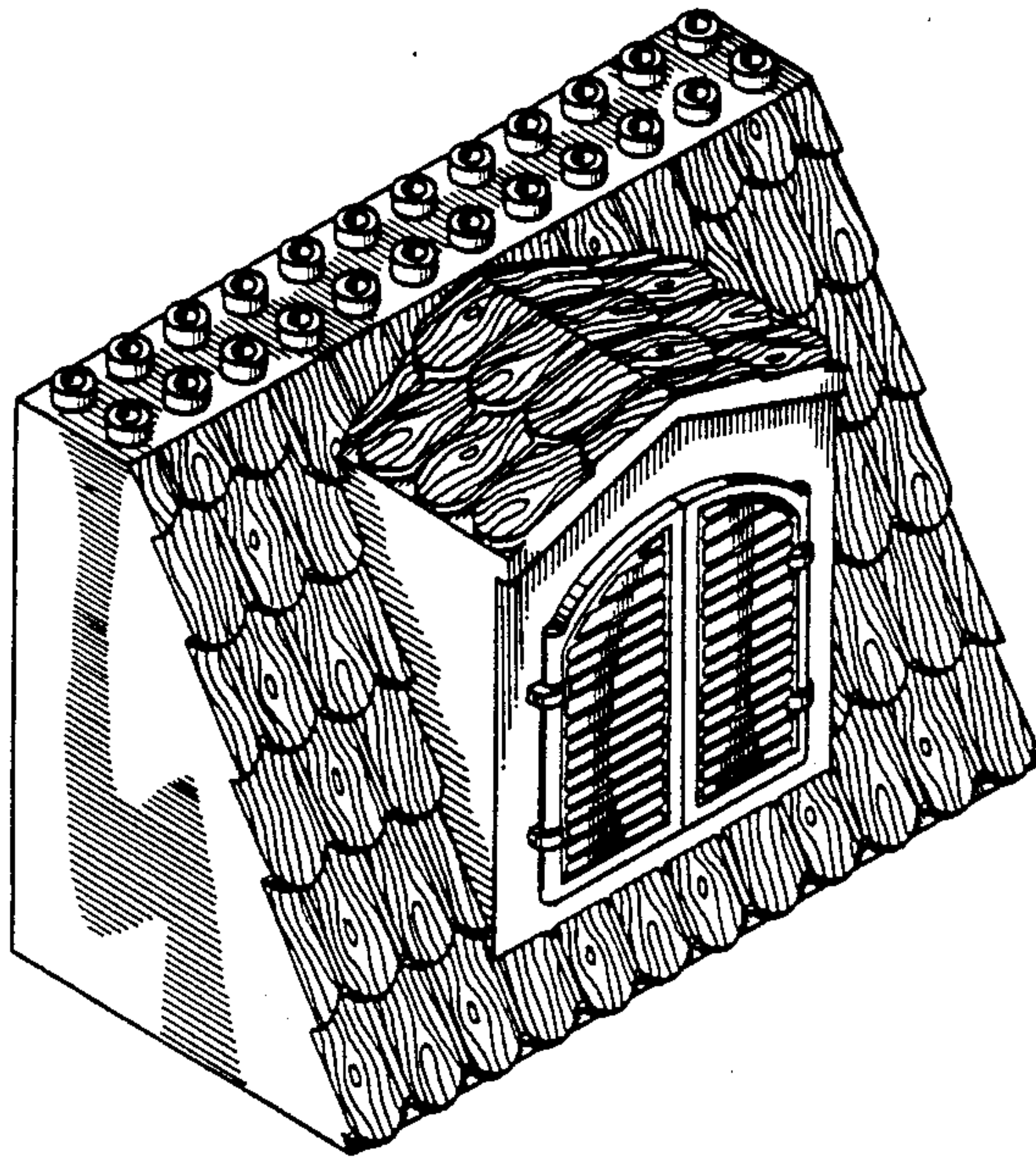
Primary Examiner—Charles A. Rademaker
Attorney, Agent, or Firm—Kane, Dalsimer, Sullivan, Kurucz, Levy, Eisele and Richard

[57] CLAIM

The ornamental design for a simulative toy construction piece, as shown and described.

DESCRIPTION

FIG. 1 is a top perspective view of a simulative toy construction piece showing my new design, FIG. 2 is a bottom perspective view thereof, FIG. 3 is a front elevational view thereof, FIG. 4 is a left side elevational view thereof, FIG. 5 is a right side elevational view thereof, FIG. 6 is a top plan view thereof, FIG. 7 is a bottom plan view thereof, FIG. 8 is a rear elevational view thereof, and FIG. 9 is a perspective view of the roof element with open shutters.



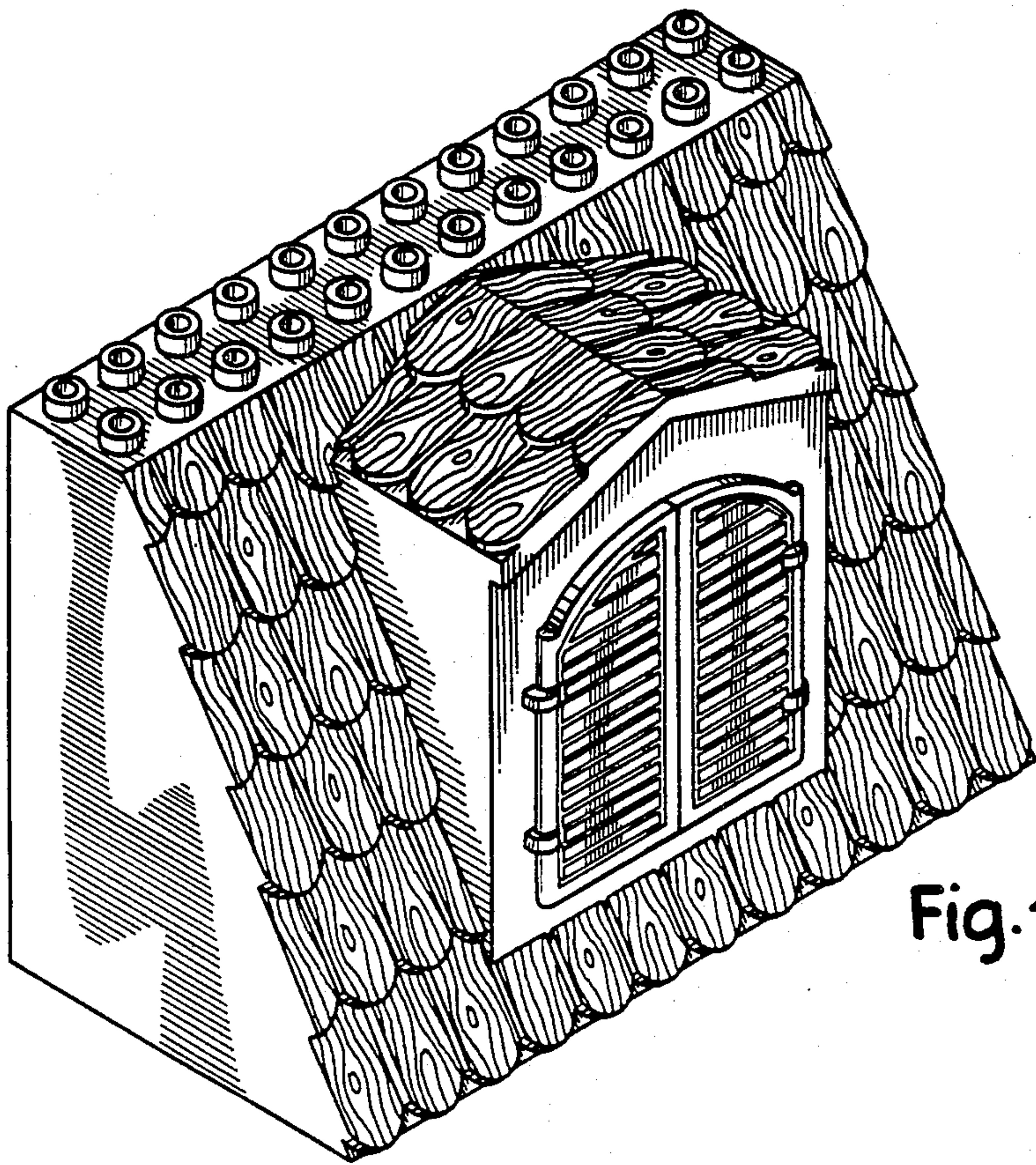


Fig. 1

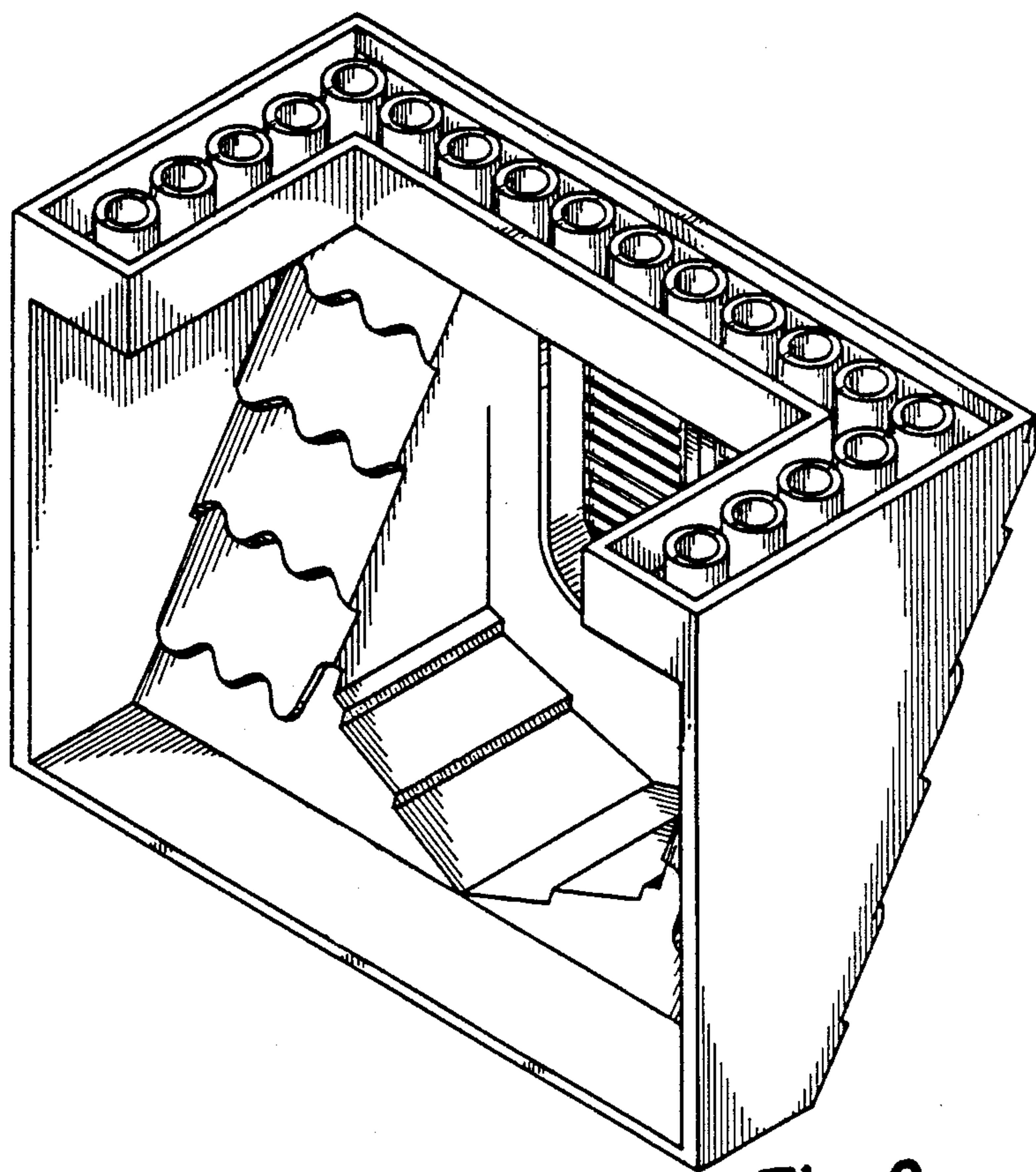


Fig. 2

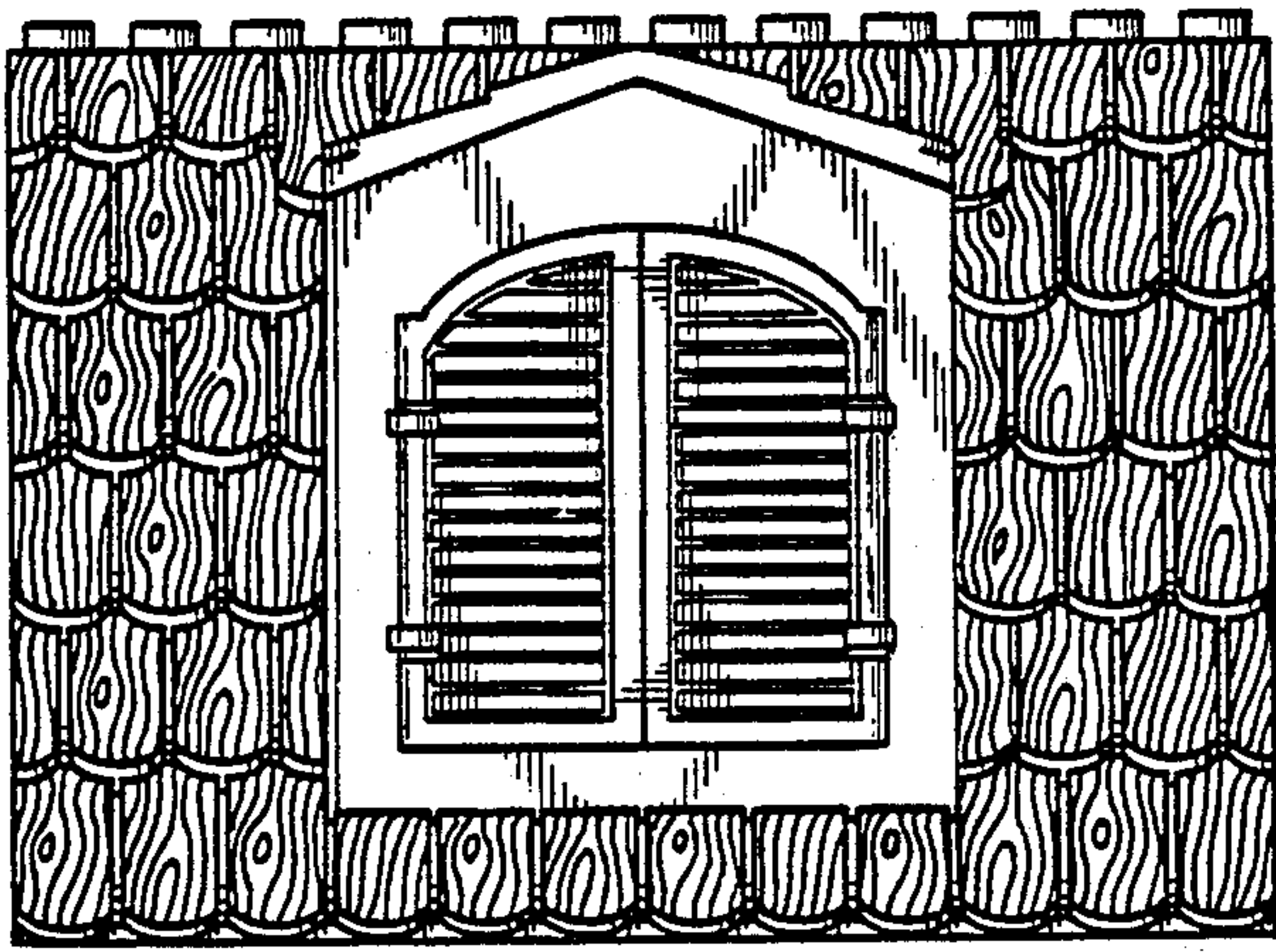


Fig. 3

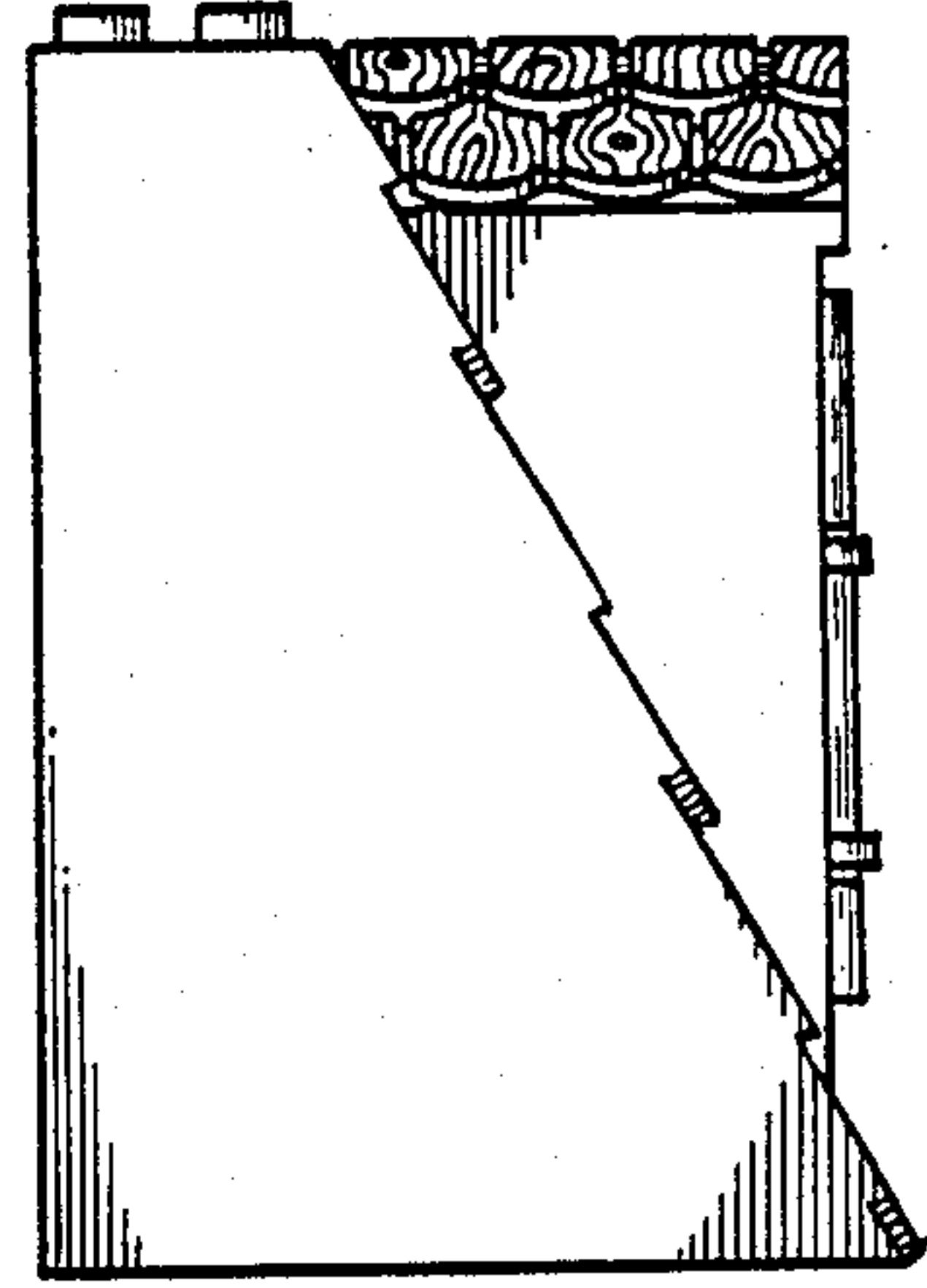


Fig. 4

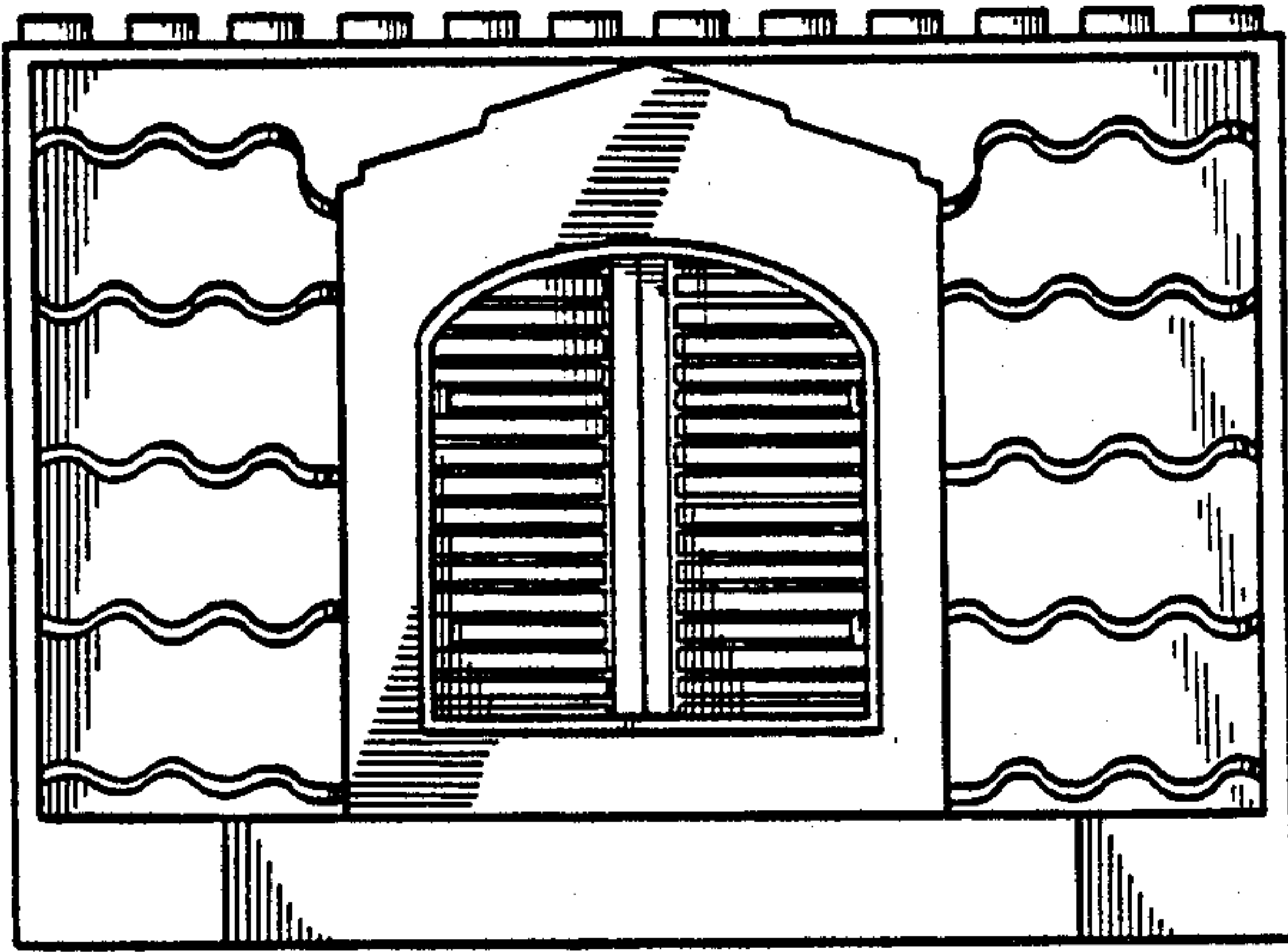


Fig. 8

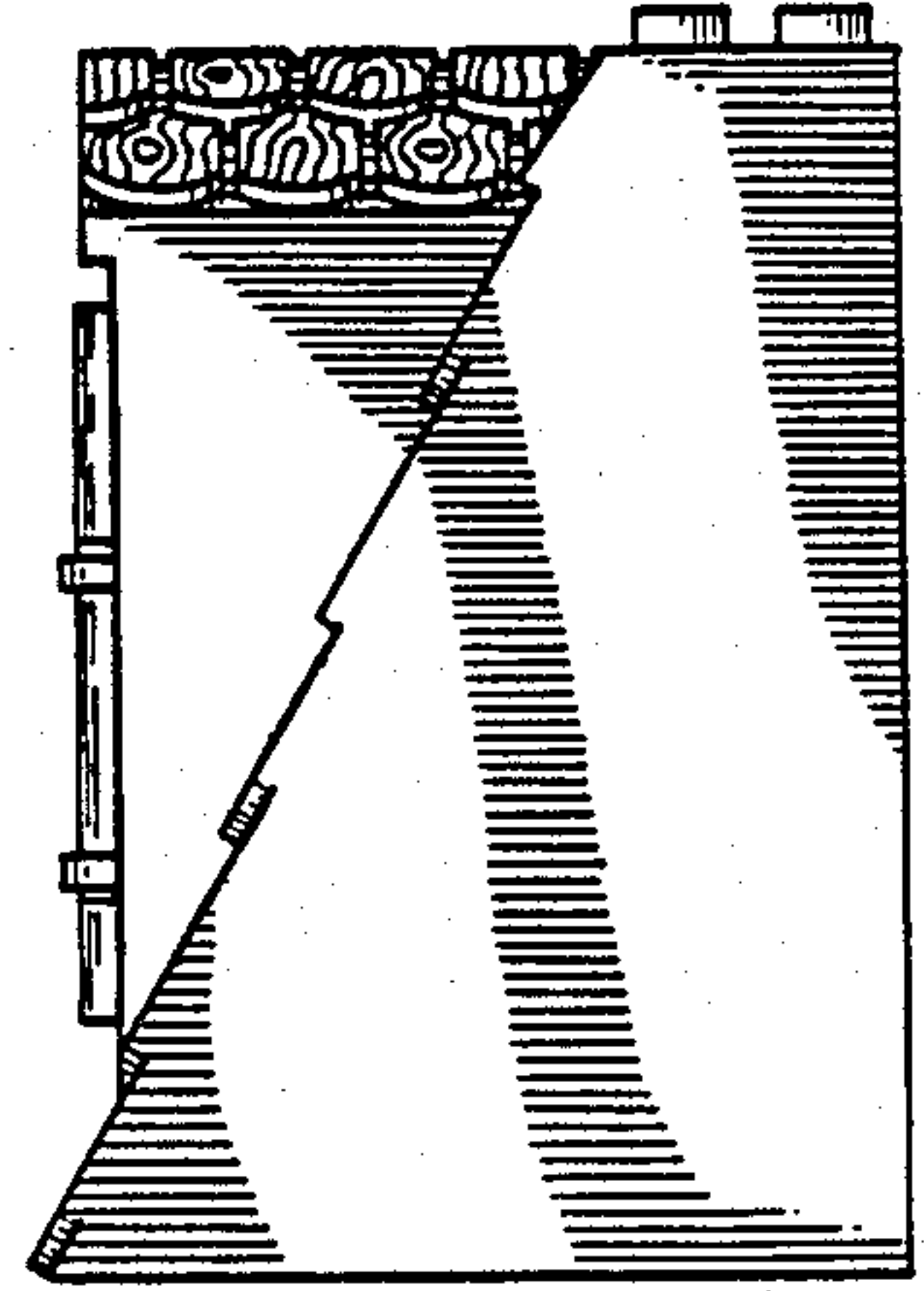


Fig. 5

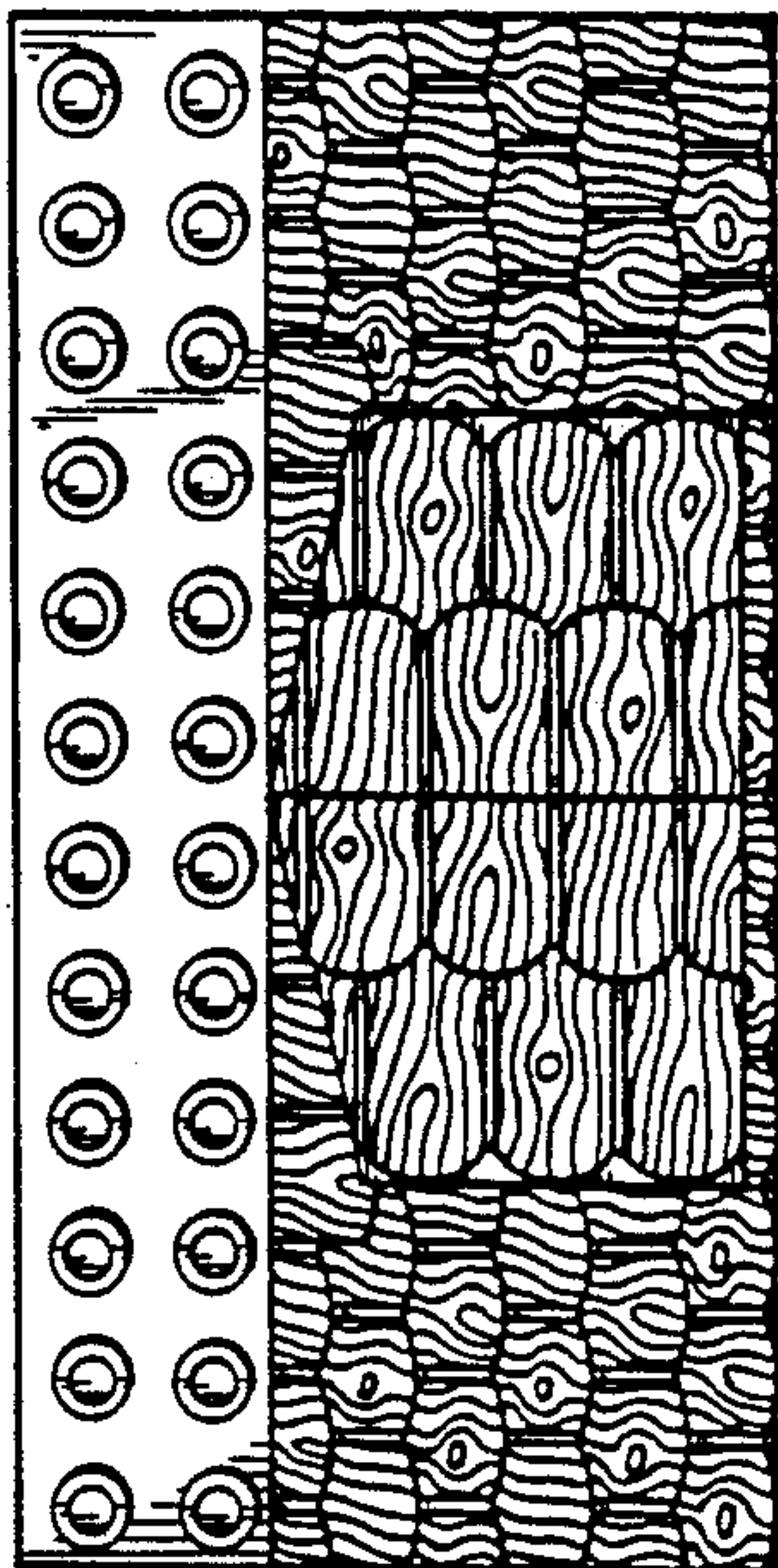


Fig. 6

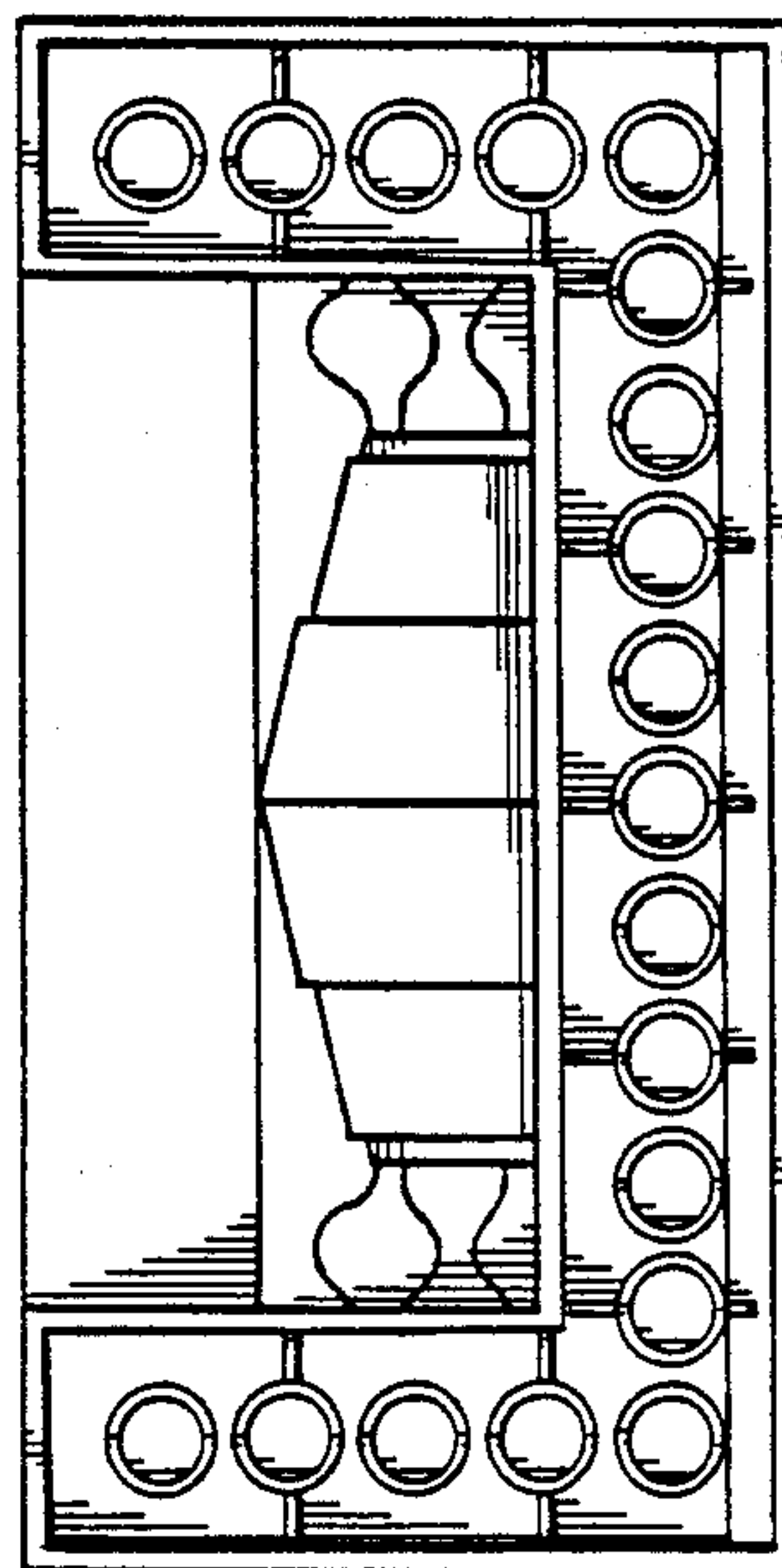


Fig. 7

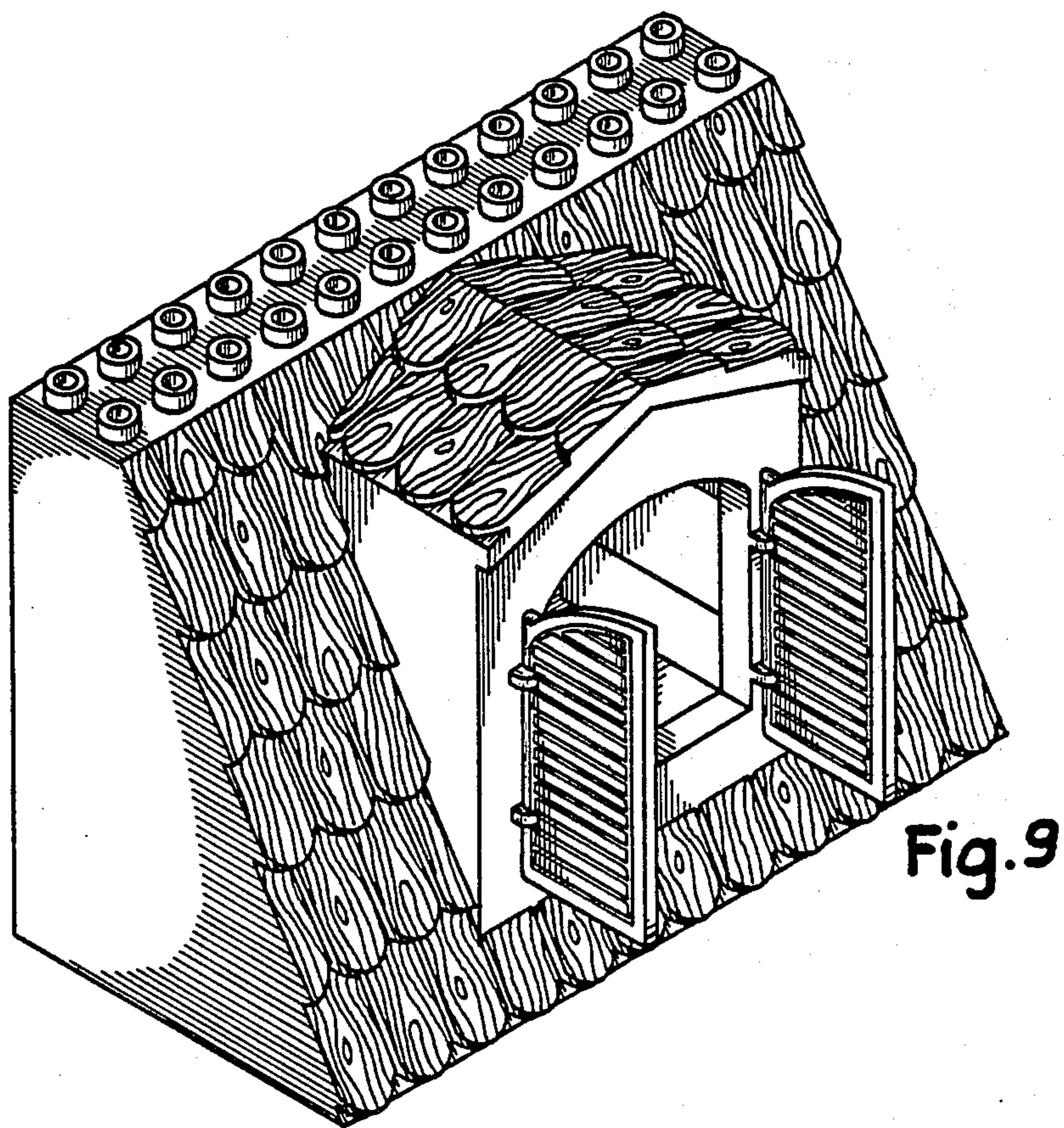


Fig. 9