

[54] TOY ROCKING HELICOPTER

[76] Inventor: Daniel G. Hahn, 1040 E. North Ave.,
Olney, Ill. 62450

[**] Term: 14 Years

[21] Appl. No.: 877,521

[22] Filed: Jun. 23, 1986

[52] U.S. Cl. D21/68; D21/90

[58] Field of Search 446/36, 38, 31, 33;
272/52, 52.5; D21/66, 68, 71, 90, 85; D6/345,
351, 354

[56] References Cited

U.S. PATENT DOCUMENTS

- D. 254,561 3/1980 Alley et al. D21/68
- D. 262,553 1/1982 Fratarcangeli D21/85

OTHER PUBLICATIONS

Sears Specialog, 1982, p. 600, "Walk-R-Ride" Toy.

Primary Examiner—Charles A. Rademaker

[57] CLAIM

The ornamental design for a toy rocking helicopter, as shown and described.

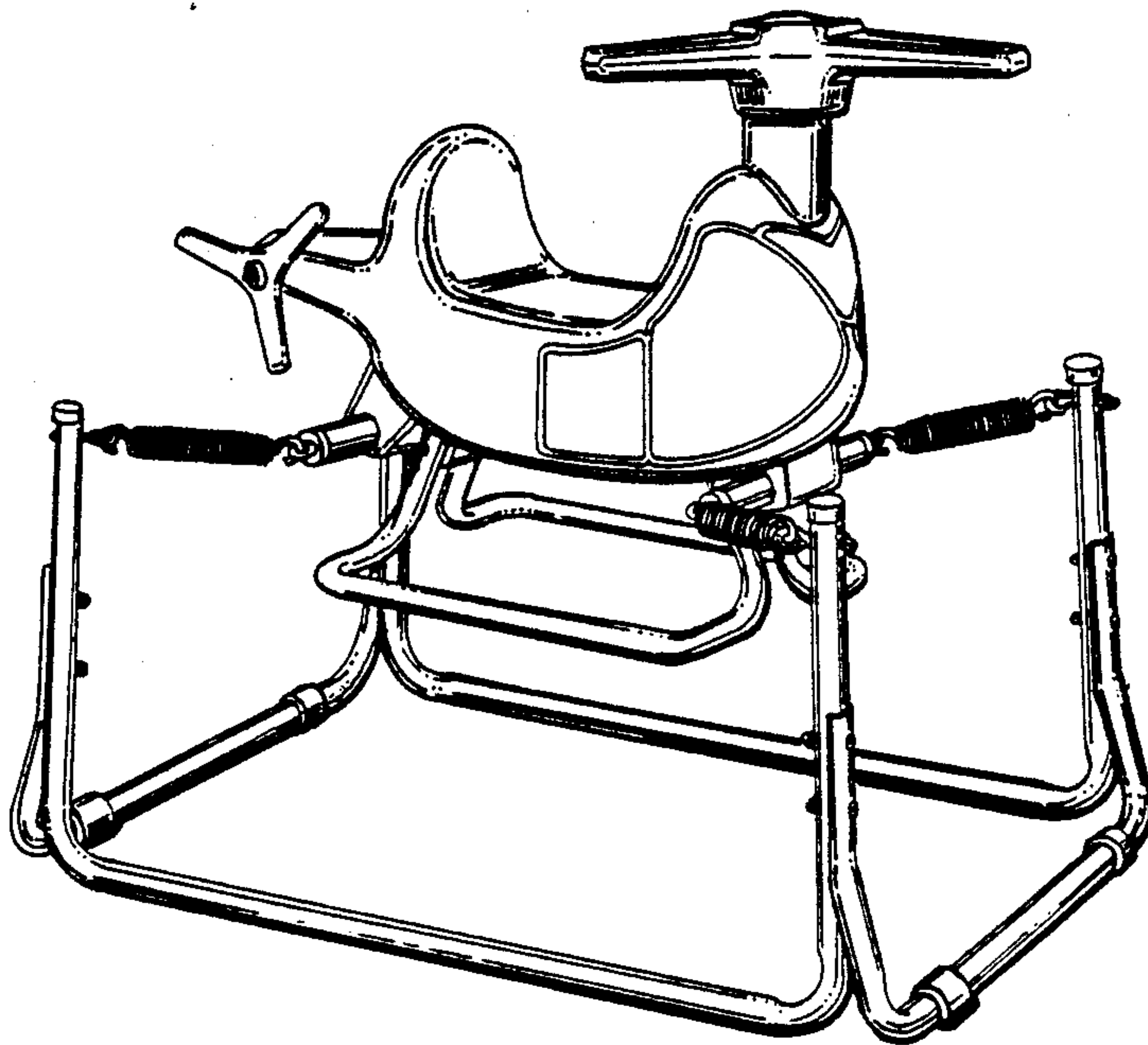
DESCRIPTION

FIG. 1 is a perspective view of a toy rocking helicopter showing my new design;

FIG. 2 is a front elevational view thereof on a reduced scale;

FIG. 3 is a right side elevational view thereof on a reduced scale, the left side being substantially a mirror image.

FIG. 4 is a top plan view thereof on a reduced scale.



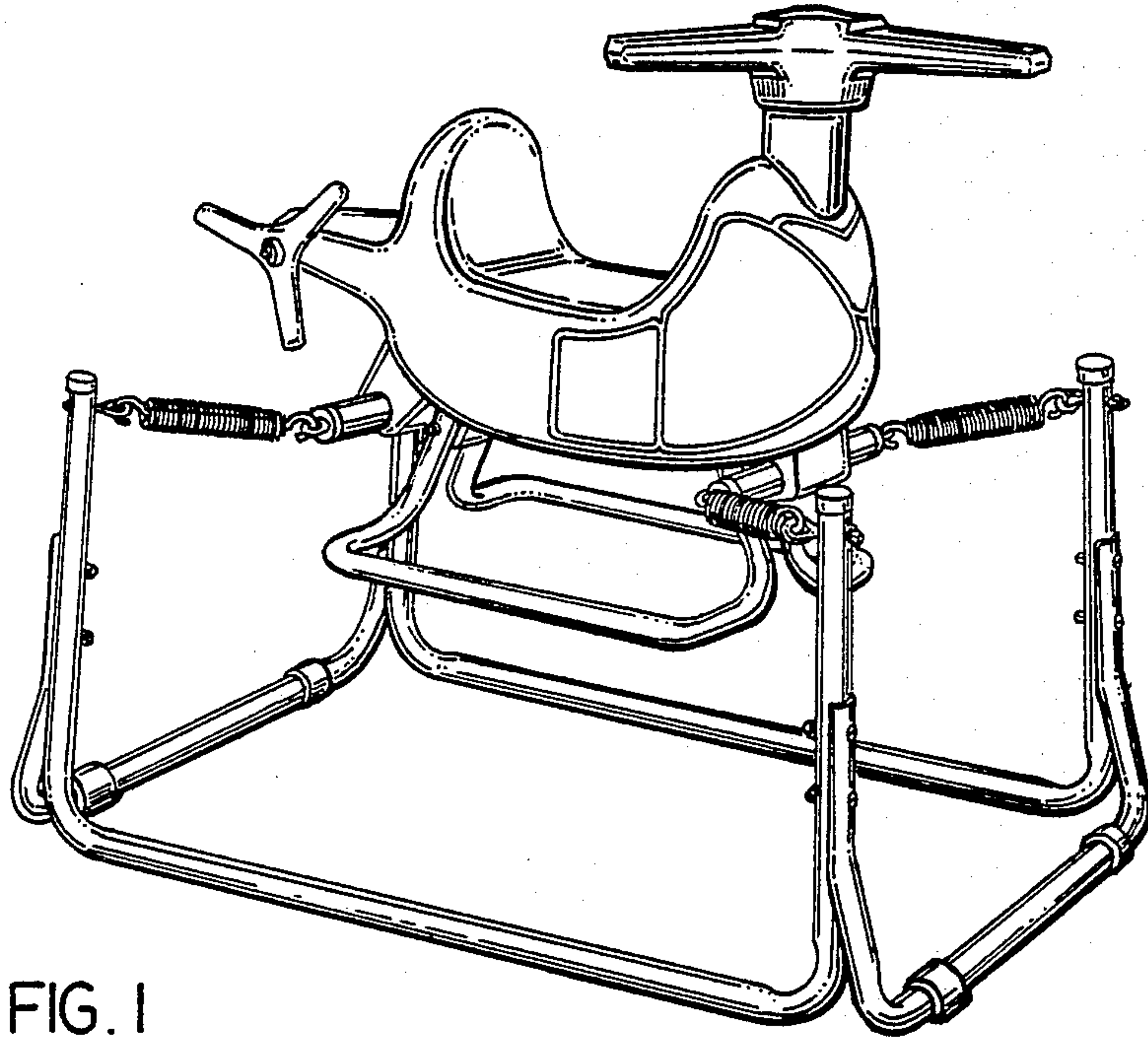


FIG. 1

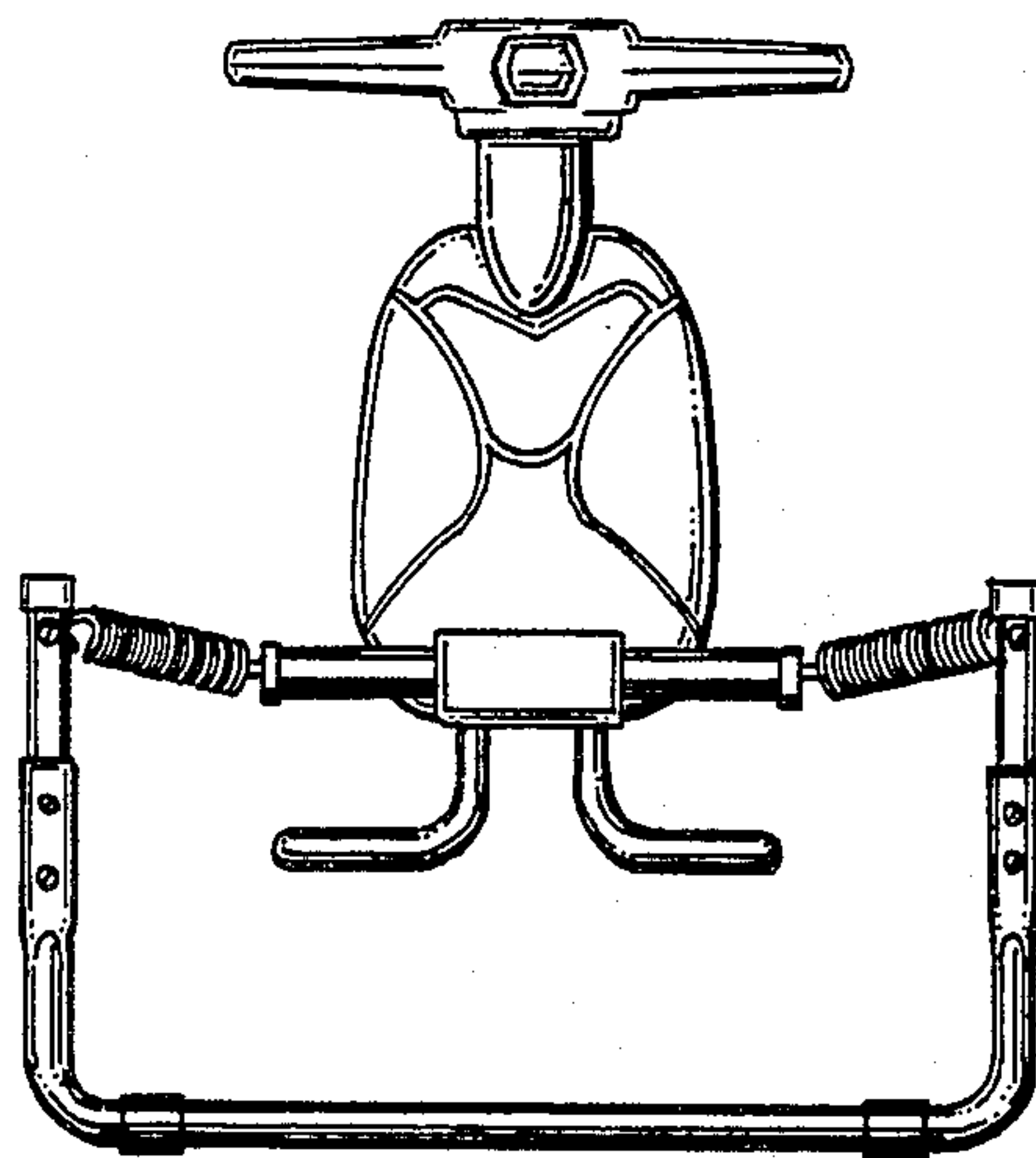


FIG. 2

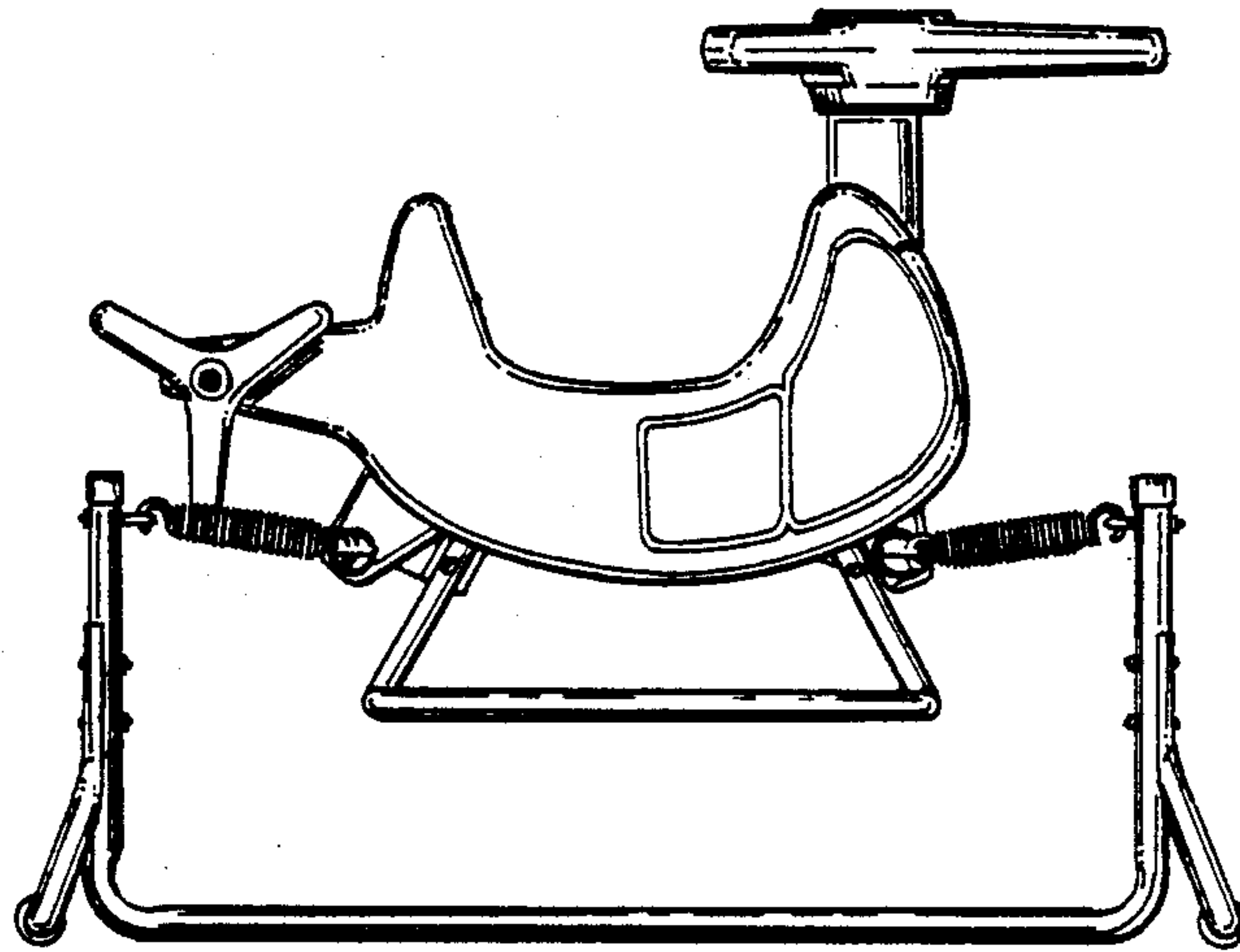


FIG. 3

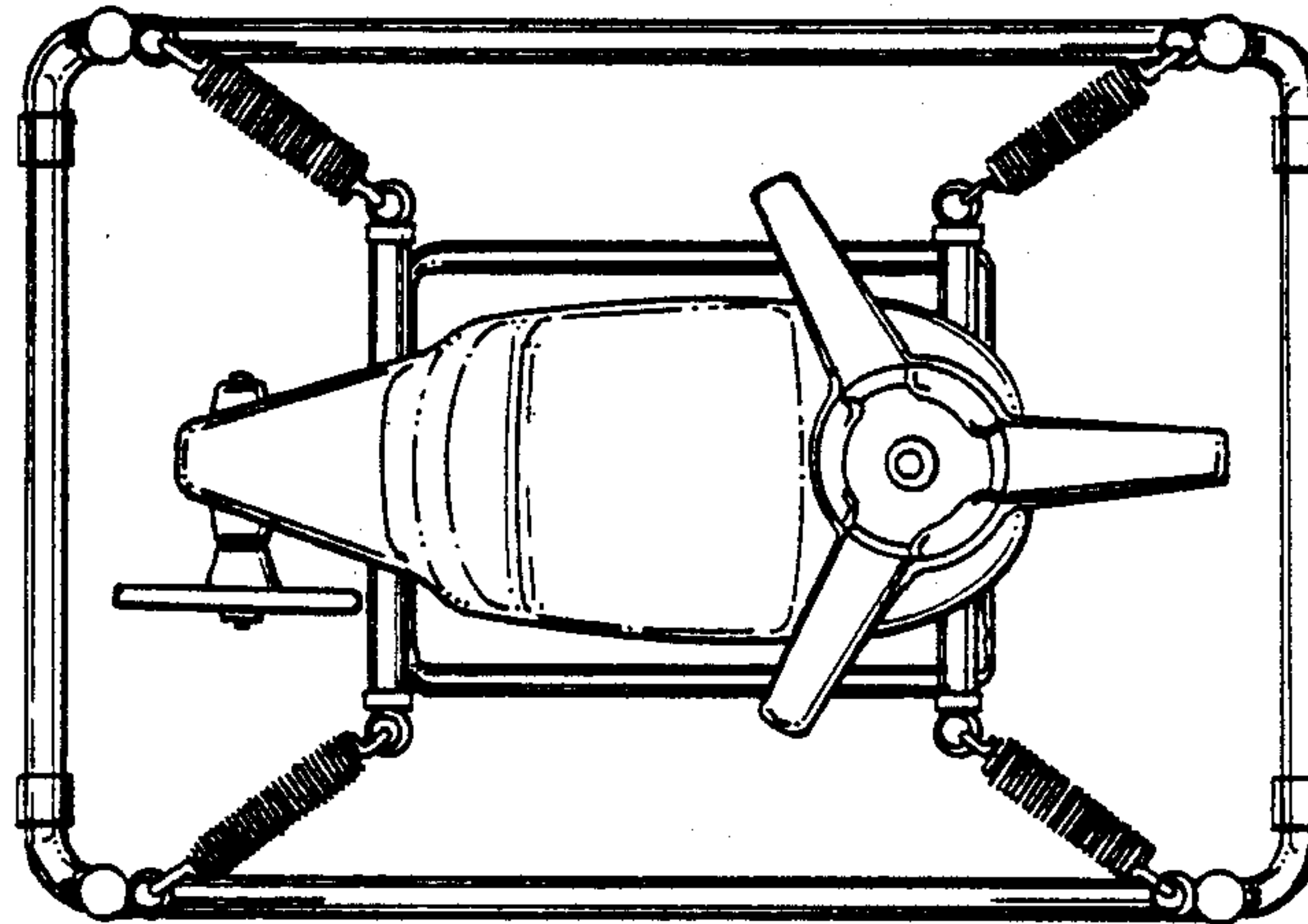


FIG. 4