

# United States Patent [19]

Hahn

[11] Patent Number: **Des. 295,766**

[45] Date of Patent: **\*\* May 17, 1988**

[54] **TOY ROCKING HELICOPTER**

[76] Inventor: **Daniel G. Hahn**, 1040 E. North Ave.,  
Olney, Ill. 62450

[\*\*] Term: **14 Years**

[21] Appl. No.: **877,690**

[22] Filed: **Jun. 23, 1986**

[52] U.S. Cl. .... **D21/68; D21/90**

[58] Field of Search ..... **446/36, 38, 31, 33;**  
**272/52, 52.5; D21/66, 68, 71, 90, 85; D6/345,**  
**351, 354**

[56] **References Cited**

**U.S. PATENT DOCUMENTS**

D. 142,257 8/1945 Horowitz ..... D21/68

D. 152,524 2/1949 Flatt ..... D21/68  
D. 262,553 1/1982 Fratarcangeli ..... D21/85  
D. 275,975 10/1984 Ciganko ..... D21/66  
4,494,763 1/1985 Whitehead ..... 272/52.5

*Primary Examiner*—Charles A. Rademaker

[57] **CLAIM**

The ornamental design for a toy rocking helicopter, as shown and described.

**DESCRIPTION**

FIG. 1 is a perspective view of a toy rocking helicopter showing my new design;  
FIG. 2 is a right side elevational thereof on a reduced scale, the left side being substantially a mirror image;  
FIG. 3 is a front elevational view thereof on a reduced scale;  
FIG. 4 is a top plan view thereof on a reduced scale.

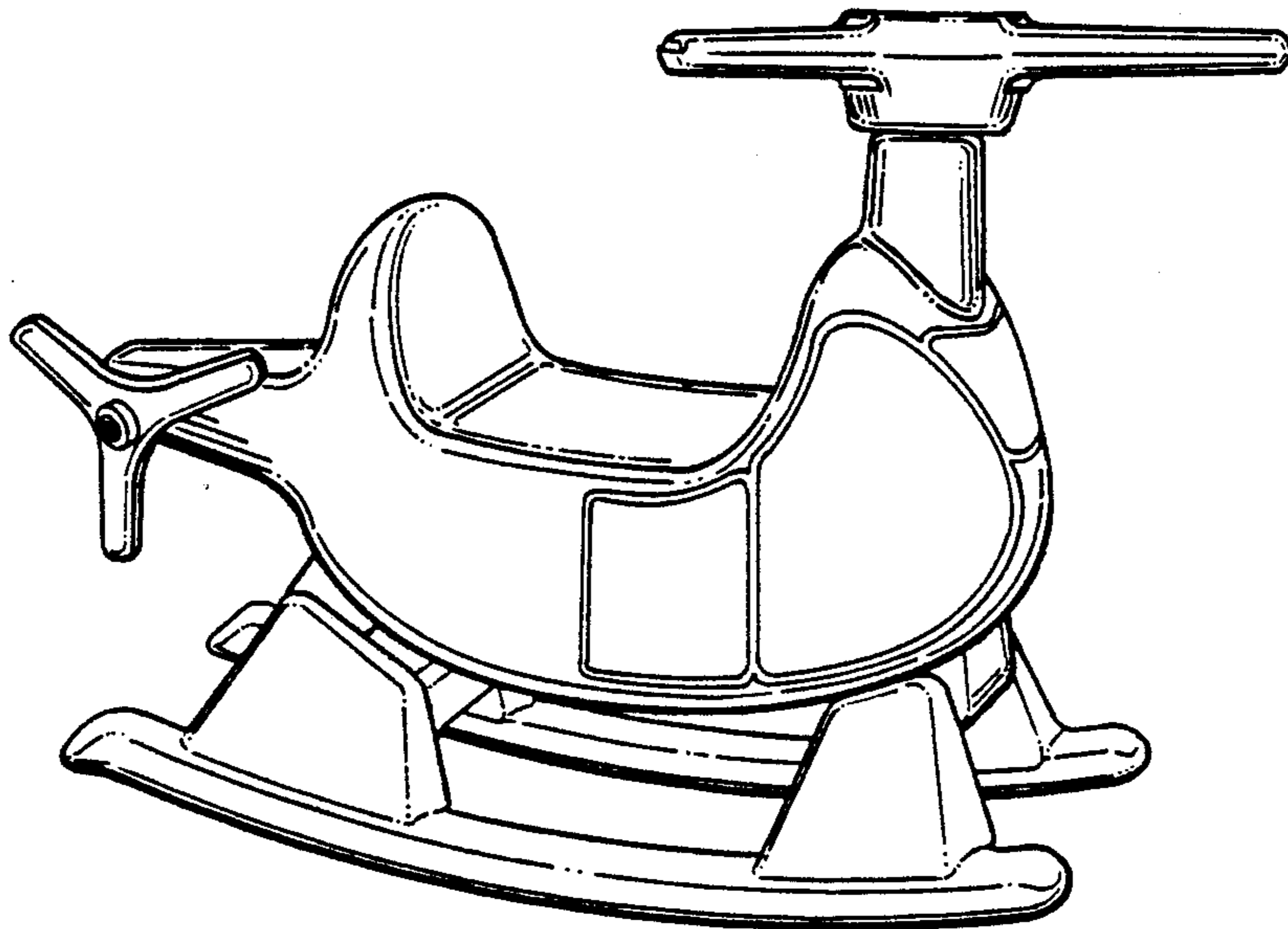


FIG. 1

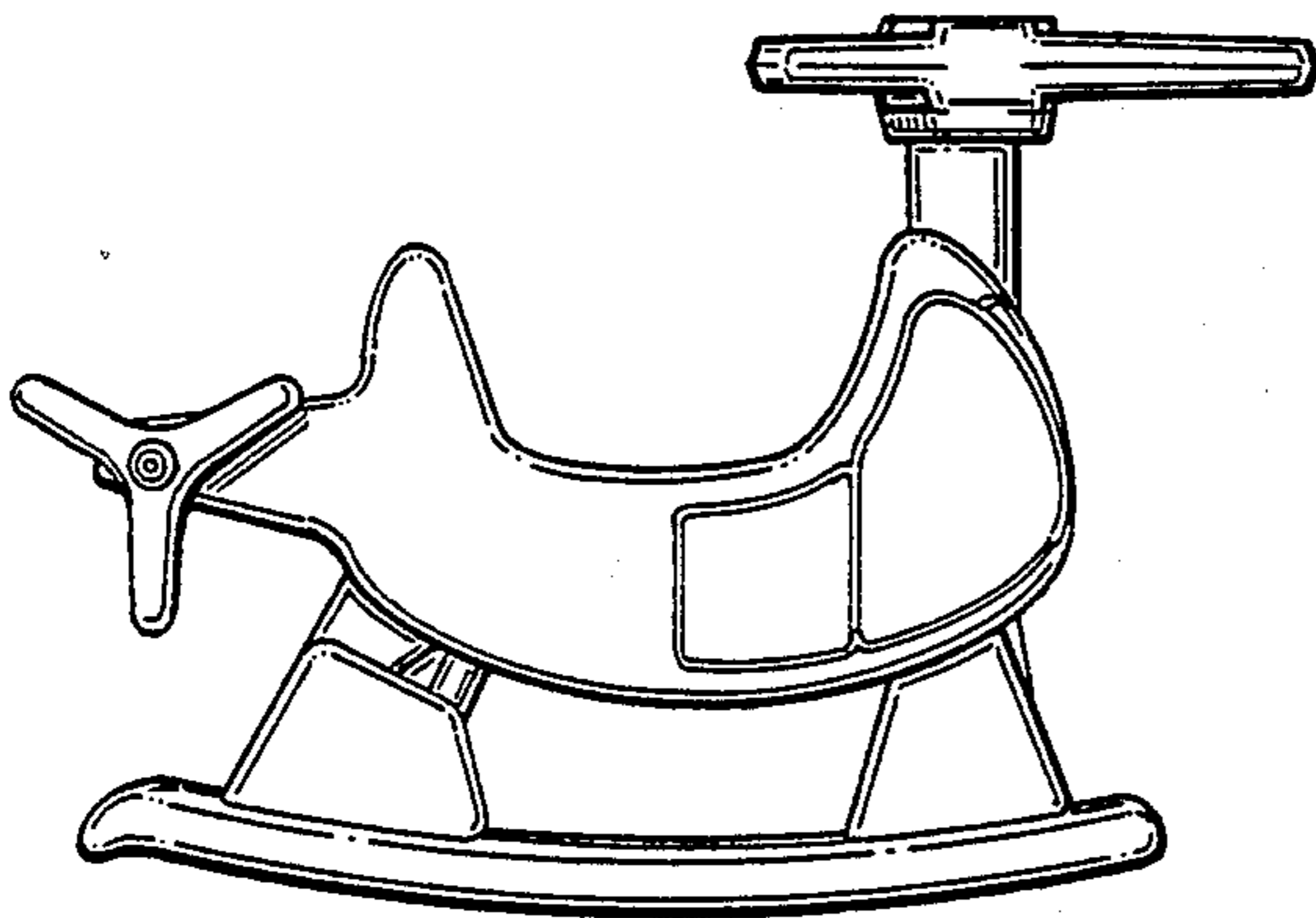
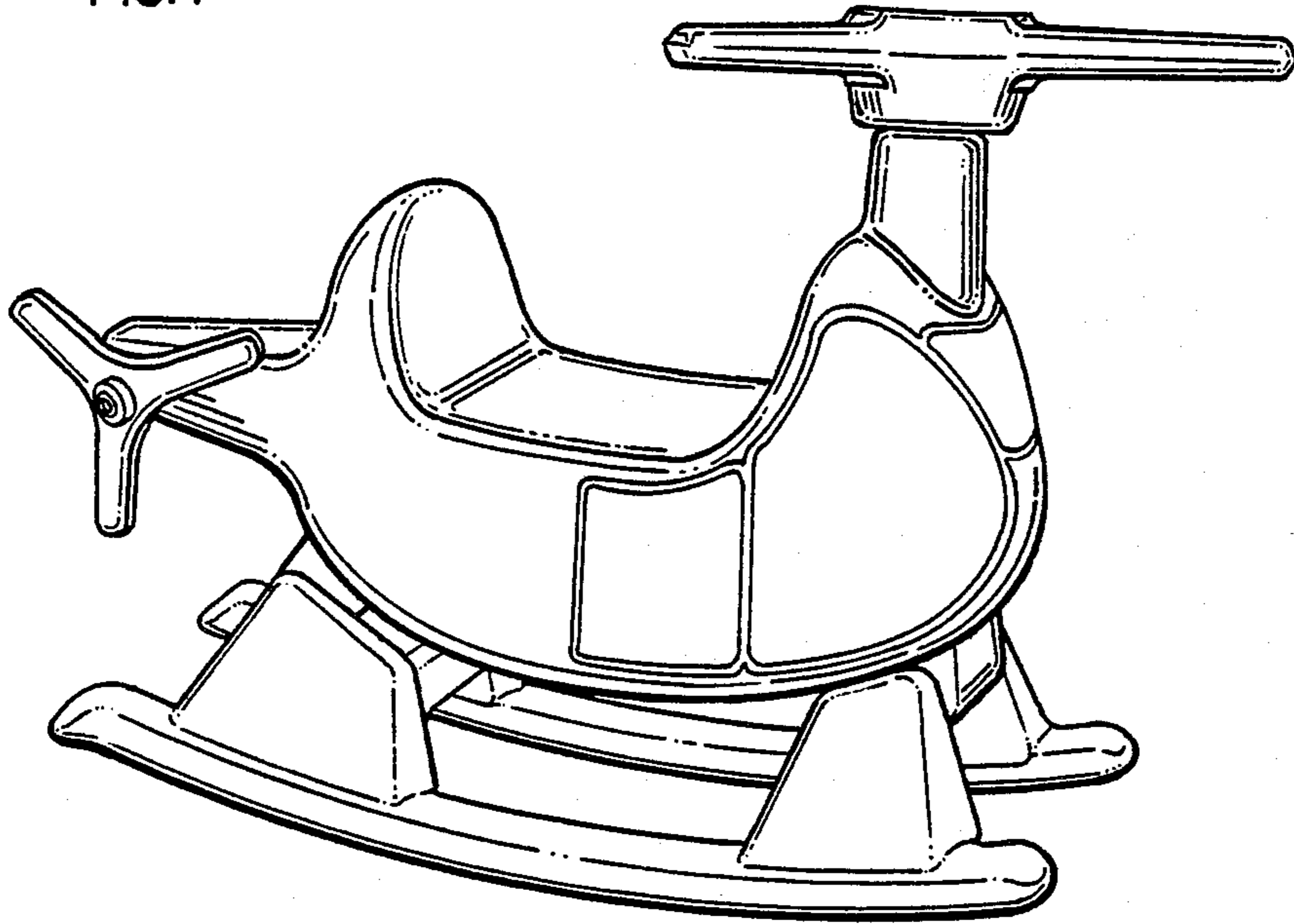


FIG. 2

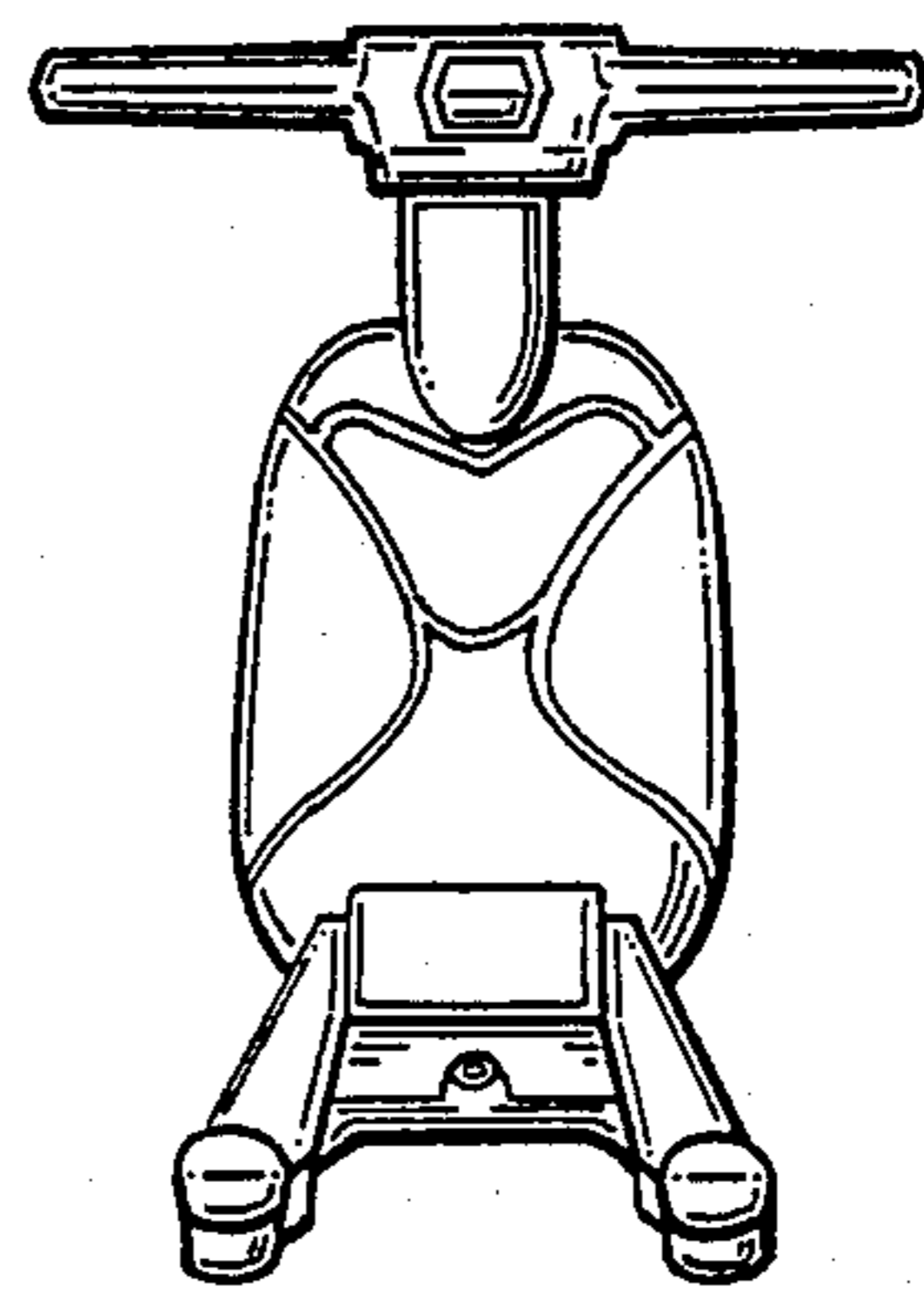


FIG. 3

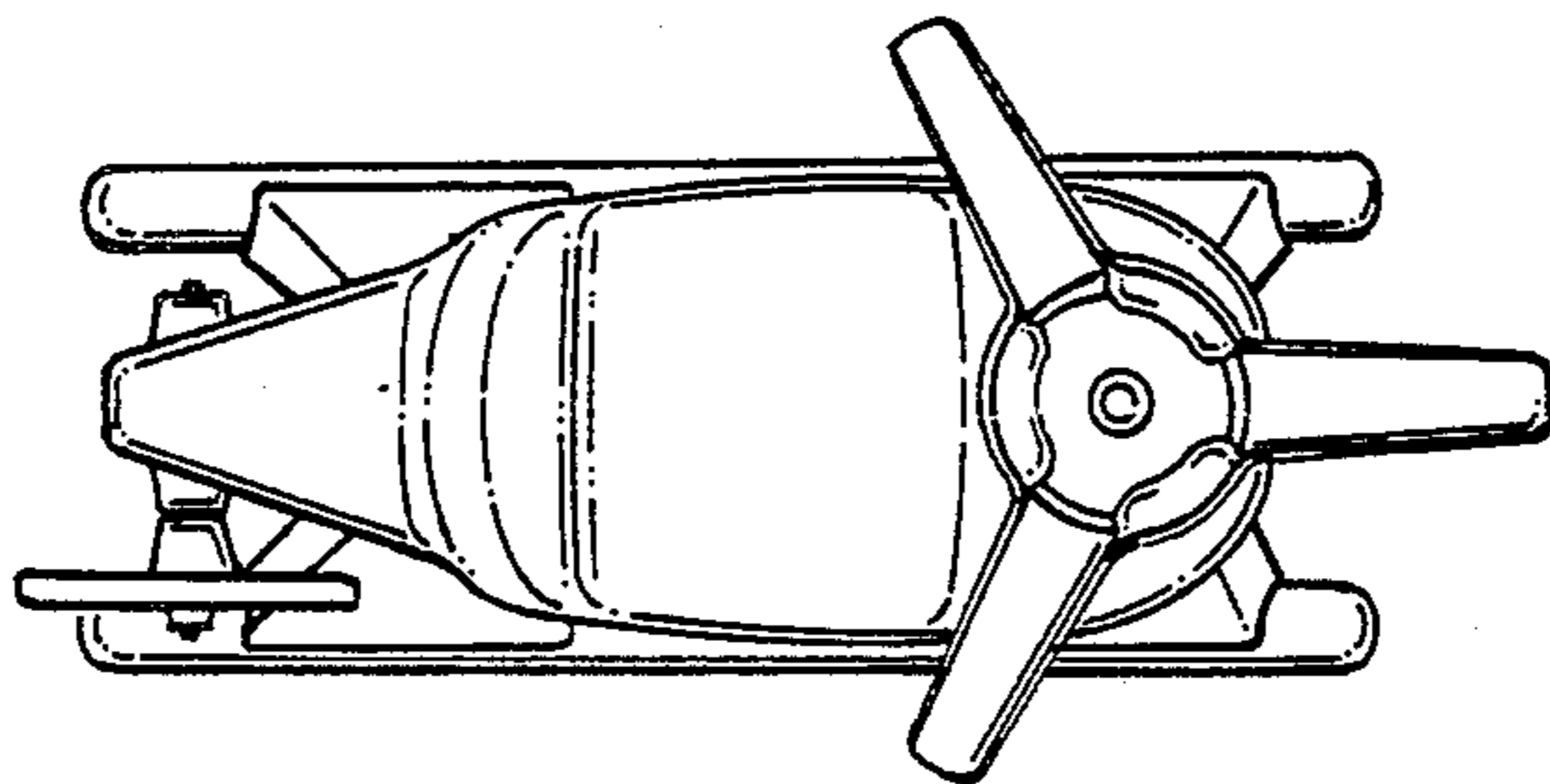


FIG. 4