

# United States Patent [19]

Kosako

[11] Patent Number: Des. 295,758

[45] Date of Patent: \*\* May 17, 1988

[54] SORTER

[75] Inventor: Mikio Kosako, Osaka, Japan

[73] Assignee: Sharp Corporation, Osaka, Japan

[\*\*] Term: 14 Years

[21] Appl. No.: 786,864

[22] Filed: Oct. 11, 1985

[30] Foreign Application Priority Data

Apr. 16, 1985 [JP] Japan ..... 60-15975

[52] U.S. Cl. .... D16/32; D14/110

[58] Field of Search ..... D16/32, 27-31;  
D14/110; 271/283-293

[56] References Cited

### U.S. PATENT DOCUMENTS

D. 271,882 12/1983 DuBois ..... D16/32  
D. 280,635 9/1985 Saito ..... D16/32  
D. 280,636 9/1985 Hara ..... D16/32

D. 281,699 12/1985 Fukuda ..... D16/32  
D. 284,086 6/1986 Goto ..... D16/32  
D. 286,539 11/1986 Hashimoto ..... D16/32

Primary Examiner—Nelson C. Holtje  
Attorney, Agent, or Firm—Flehr, Hohbach, Test,  
Albritton & Herbert

[57] CLAIM

The ornamental design for a sorter, as shown and described.

### DESCRIPTION

FIG. 1 is a top and left-front perspective view of a sorter showing my new design, the broken-line showing of a copier is environmental only and forms no part of the claimed design;

FIG. 2 is a front elevational view thereof;

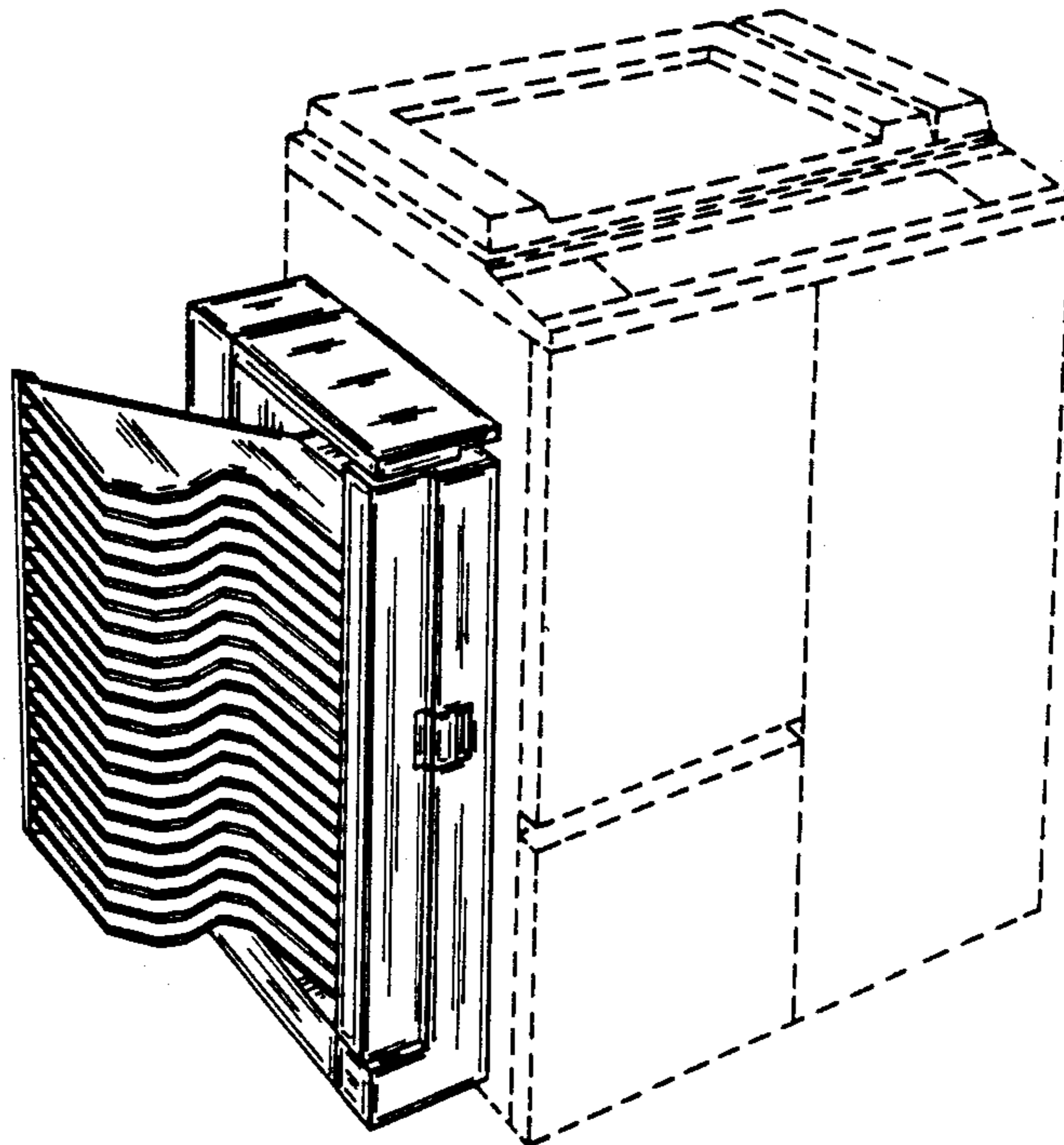
FIG. 3 is a rear elevational view thereof;

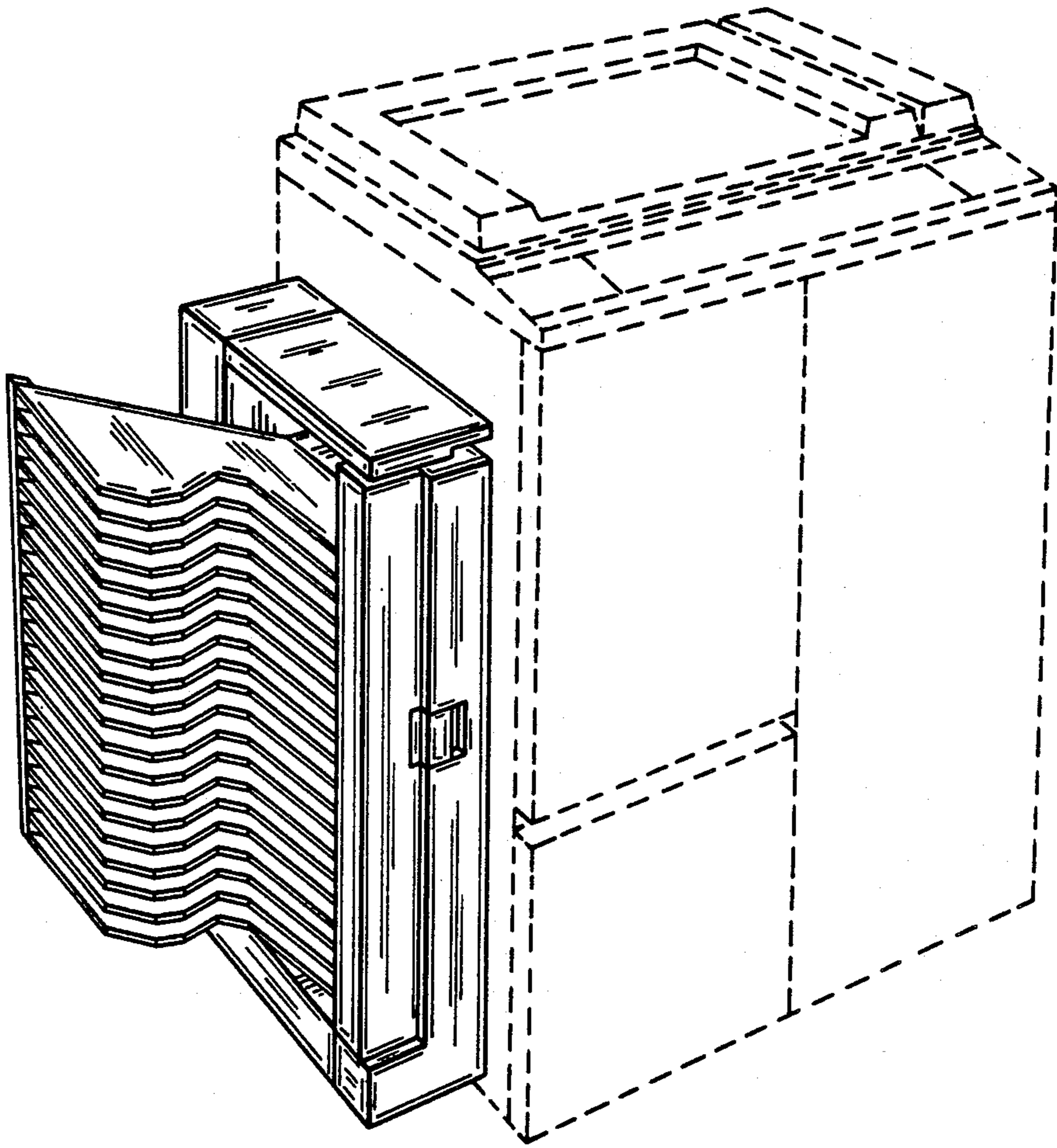
FIG. 4 is a top plan view thereof;

FIG. 5 is a bottom plan view thereof;

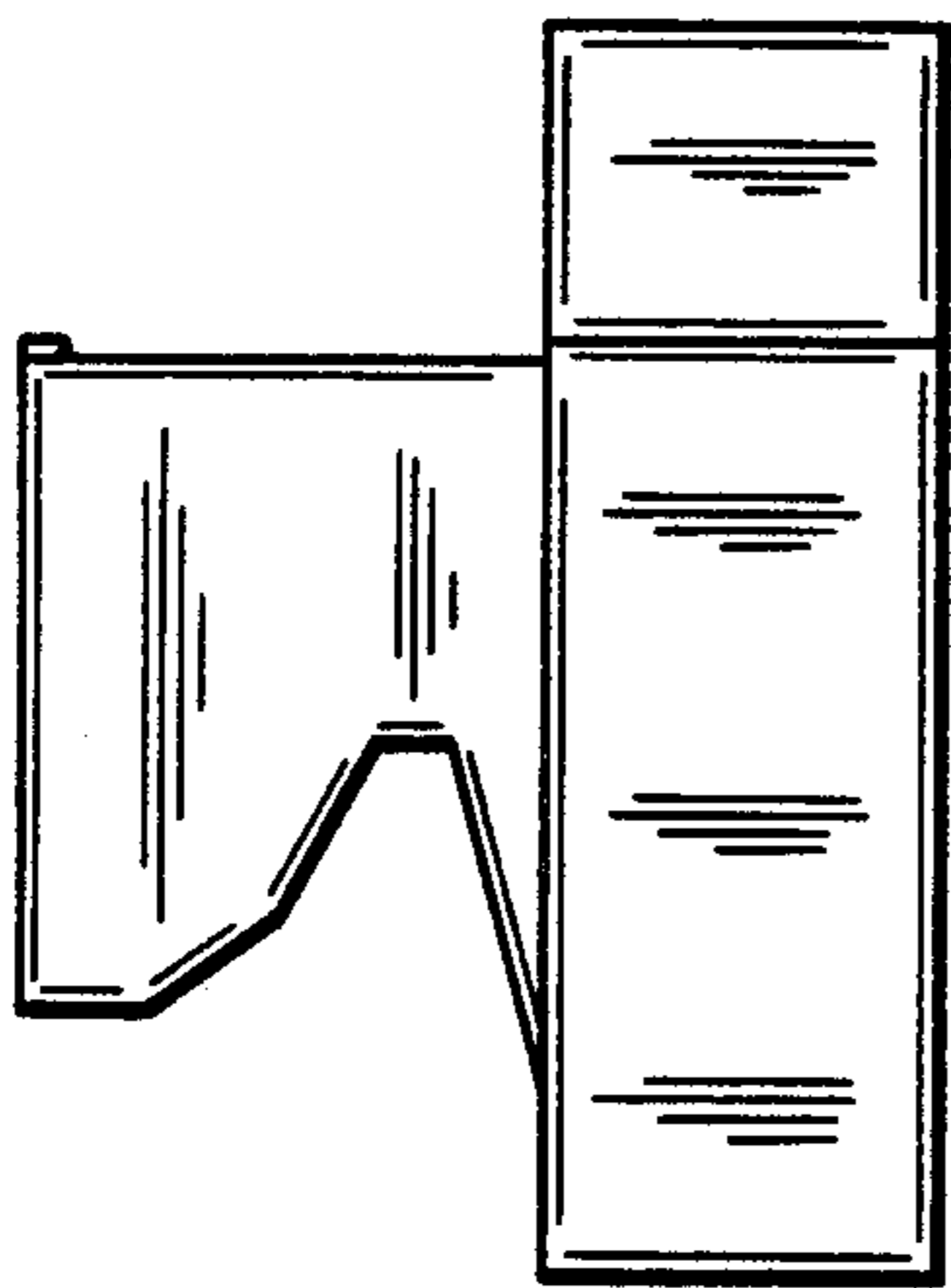
FIG. 6 is a right side elevational view thereof; and

FIG. 7 is a left side elevational view thereof.

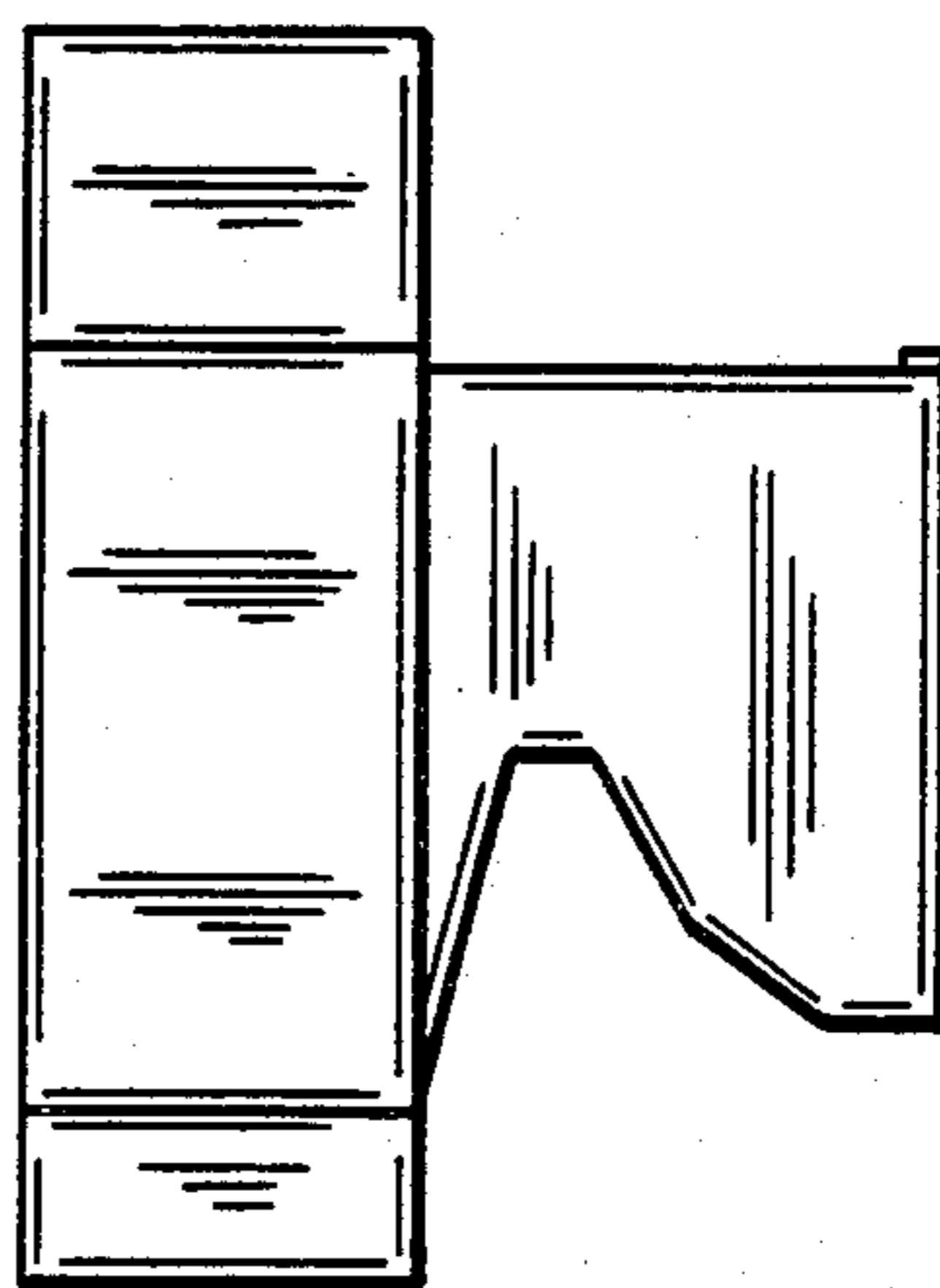




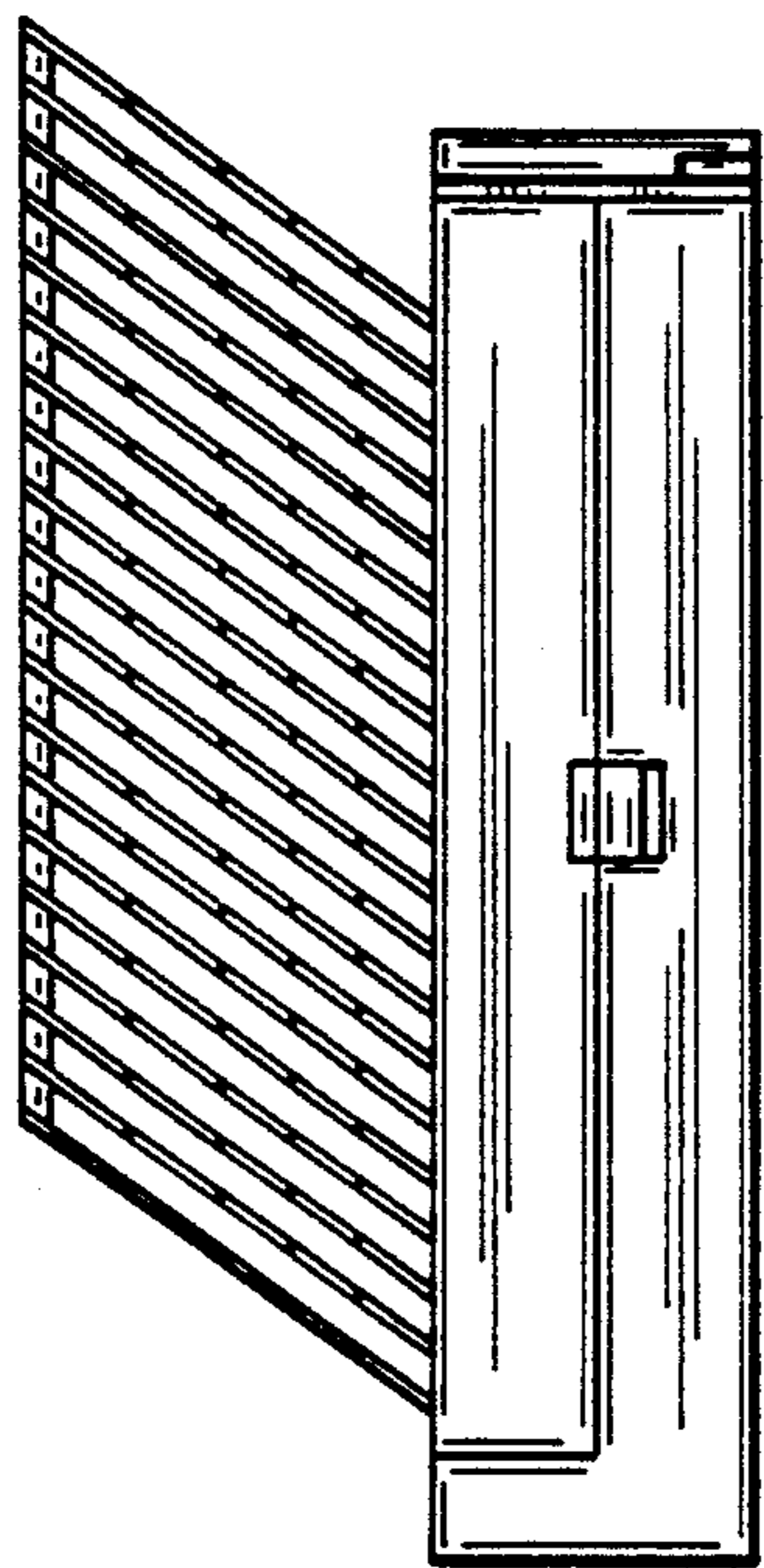
FIG\_1



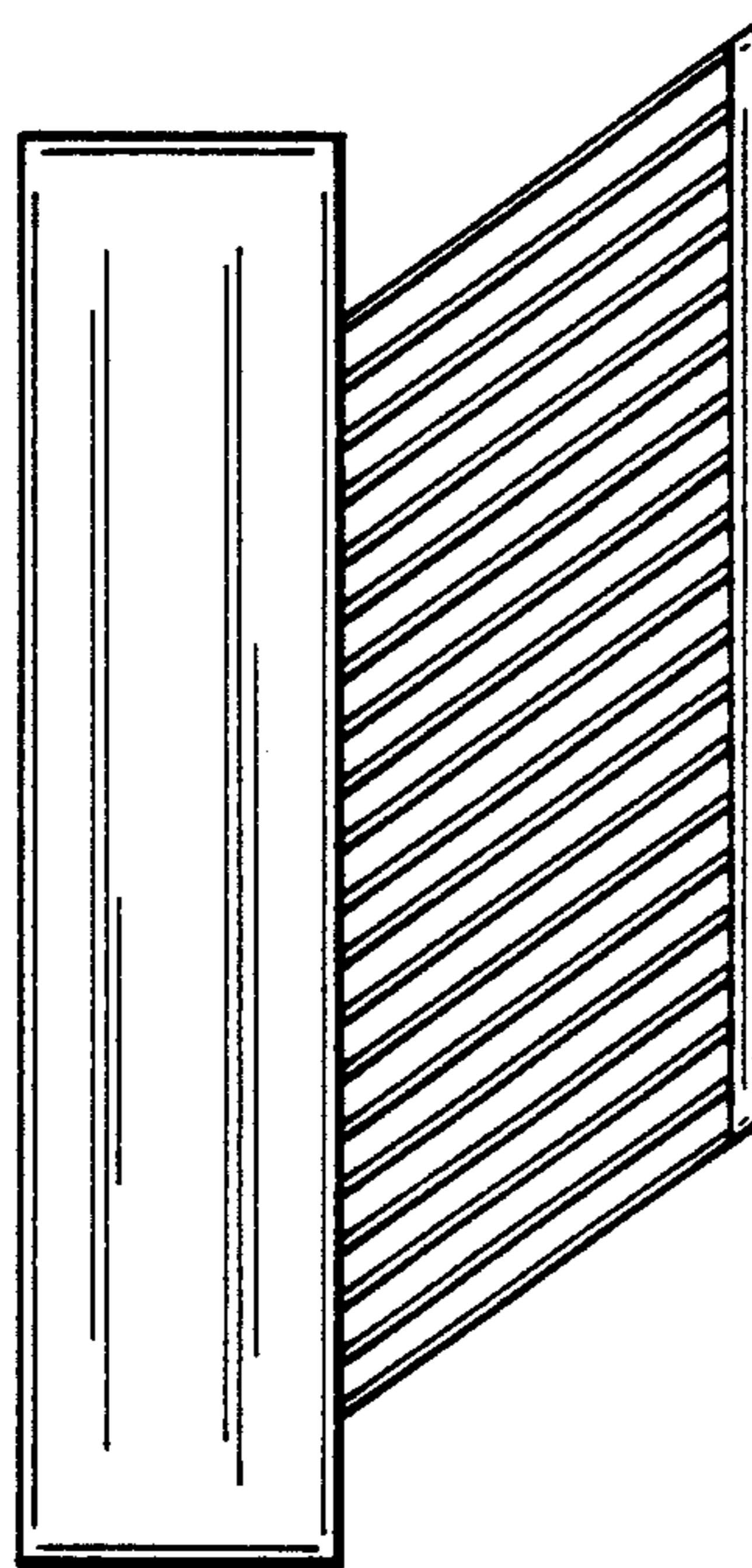
FIG\_4



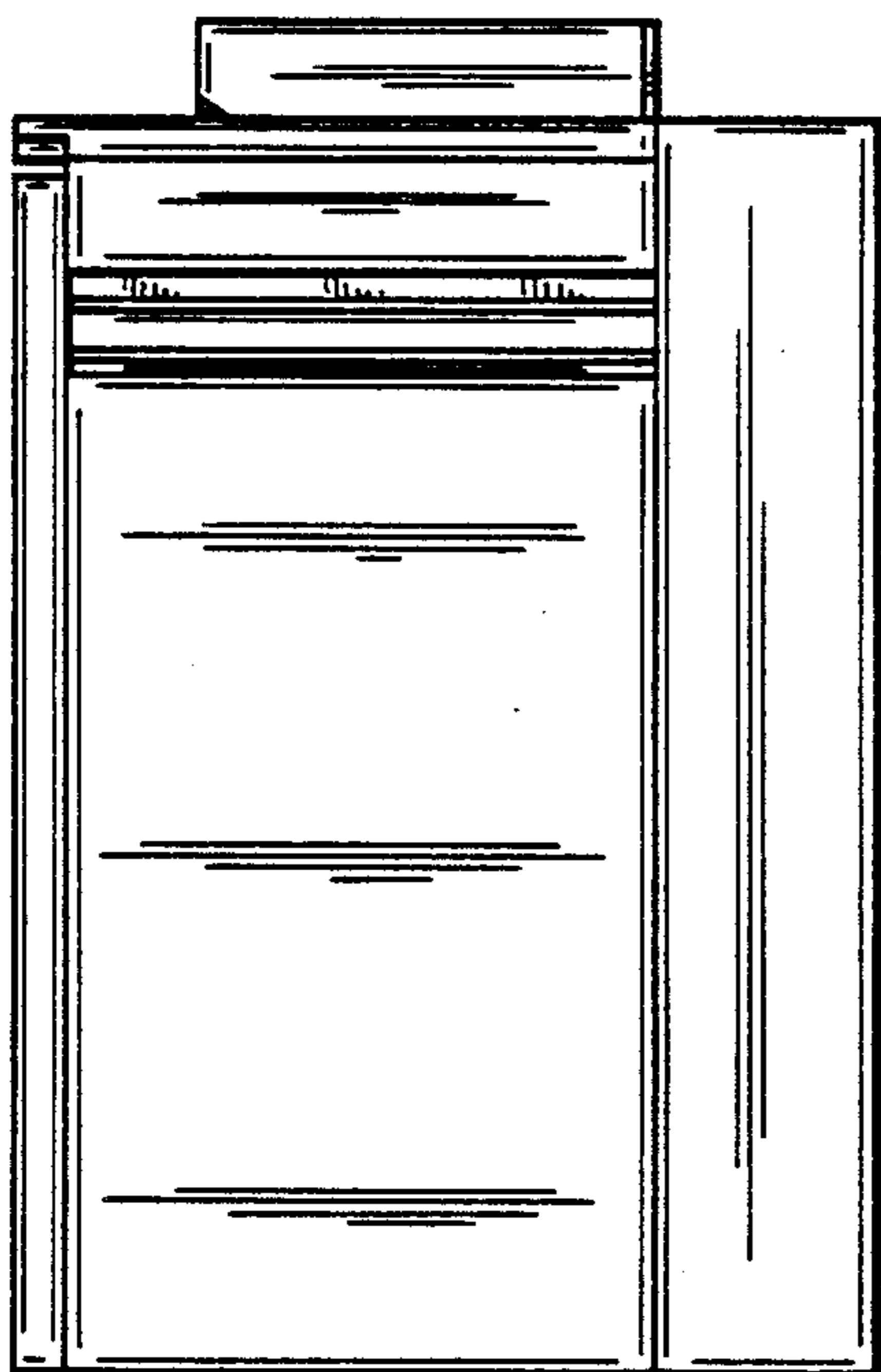
FIG\_5



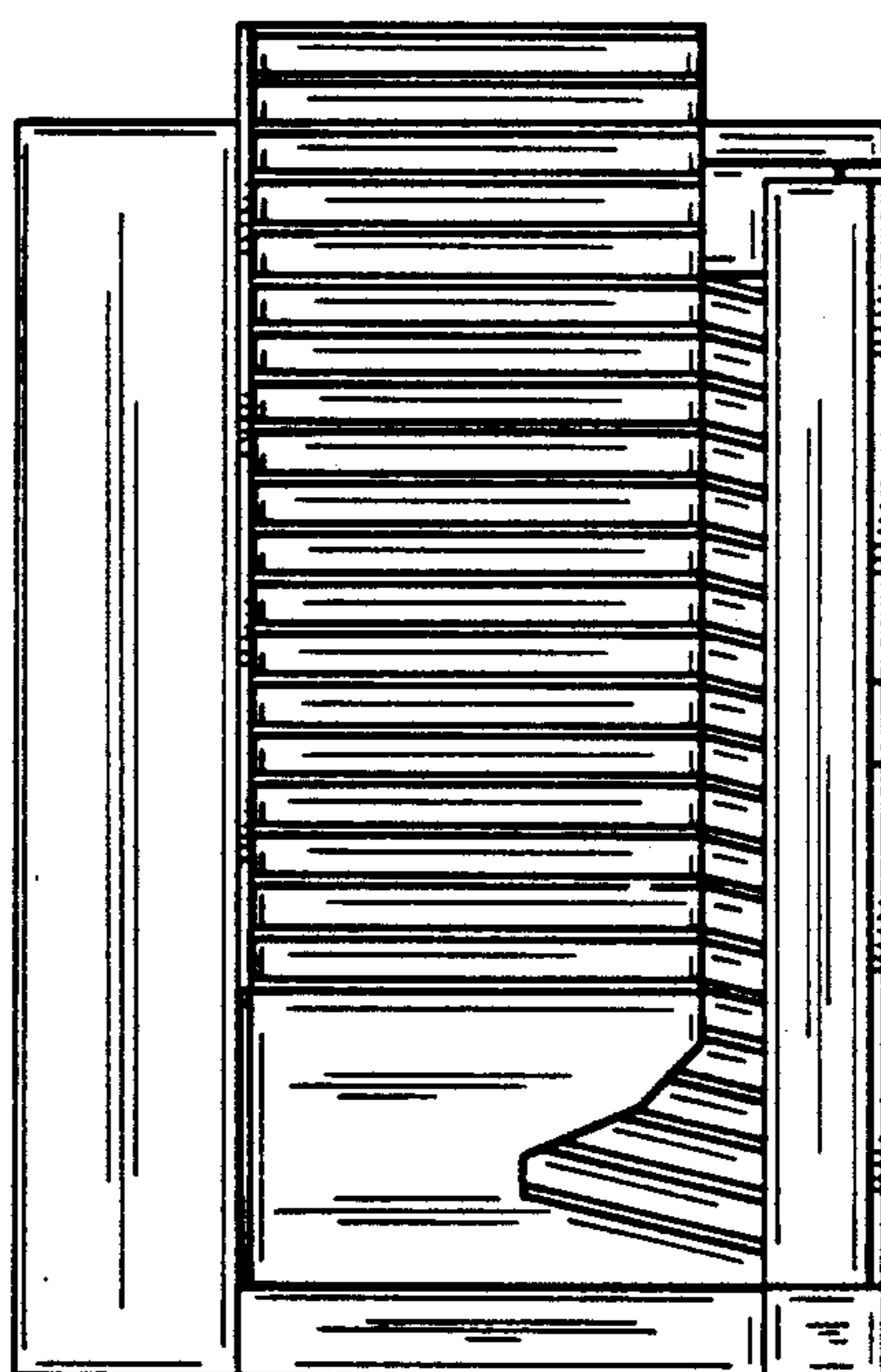
*FIG\_2*



*FIG\_3*



*FIG\_6*



*FIG\_7*