

[54] INDUSTRIAL ROBOT

[75] Inventors: Akifumi Inoue; Koshiro Takeda, both of Hamamatsu, Japan

[73] Assignee: Nippon Gakki Seizo Kabushiki Kaisha, Japan

[**] Term: 14 Years

[21] Appl. No.: 741,820

[22] Filed: Jun. 6, 1985

[30] Foreign Application Priority Data

Dec. 25, 1984 [JP] Japan 59-53365
[52] U.S. Cl. D15/199; D15/122
[58] Field of Search D15/122, 199; 414/729, 414/730, 732, 737, 738, 739, 740, 741, 744 R, 744 A, 744 B, 744 C; 901/14-16

[56] References Cited

U.S. PATENT DOCUMENTS

| | | | |
|------------|---------|-----------------------|---------|
| D. 280,203 | 8/1985 | Shibayama et al. | D15/122 |
| 3,212,649 | 10/1965 | Johnson et al. | 414/744 |
| 4,229,136 | 10/1980 | Panissidi | D15/199 |
| 4,364,706 | 12/1982 | Kranzlmüller | 414/749 |
| 4,465,424 | 8/1984 | Inaba et al. | D15/199 |
| 4,527,942 | 7/1985 | Smith | 901/14 |
| 4,557,657 | 12/1985 | Olson et al. | 414/749 |

Primary Examiner—B. J. Bullock

[57] CLAIM

The ornamental design for an industrial robot, as shown and described.

DESCRIPTION

FIG. 1 is a left side perspective view of an industrial robot showing our new design;
FIG. 2 is a front view thereof;
FIG. 3 is a right side view thereof;
FIG. 4 is a rear view thereof;
FIG. 5 is a top view thereof, the bottom being unornamented.

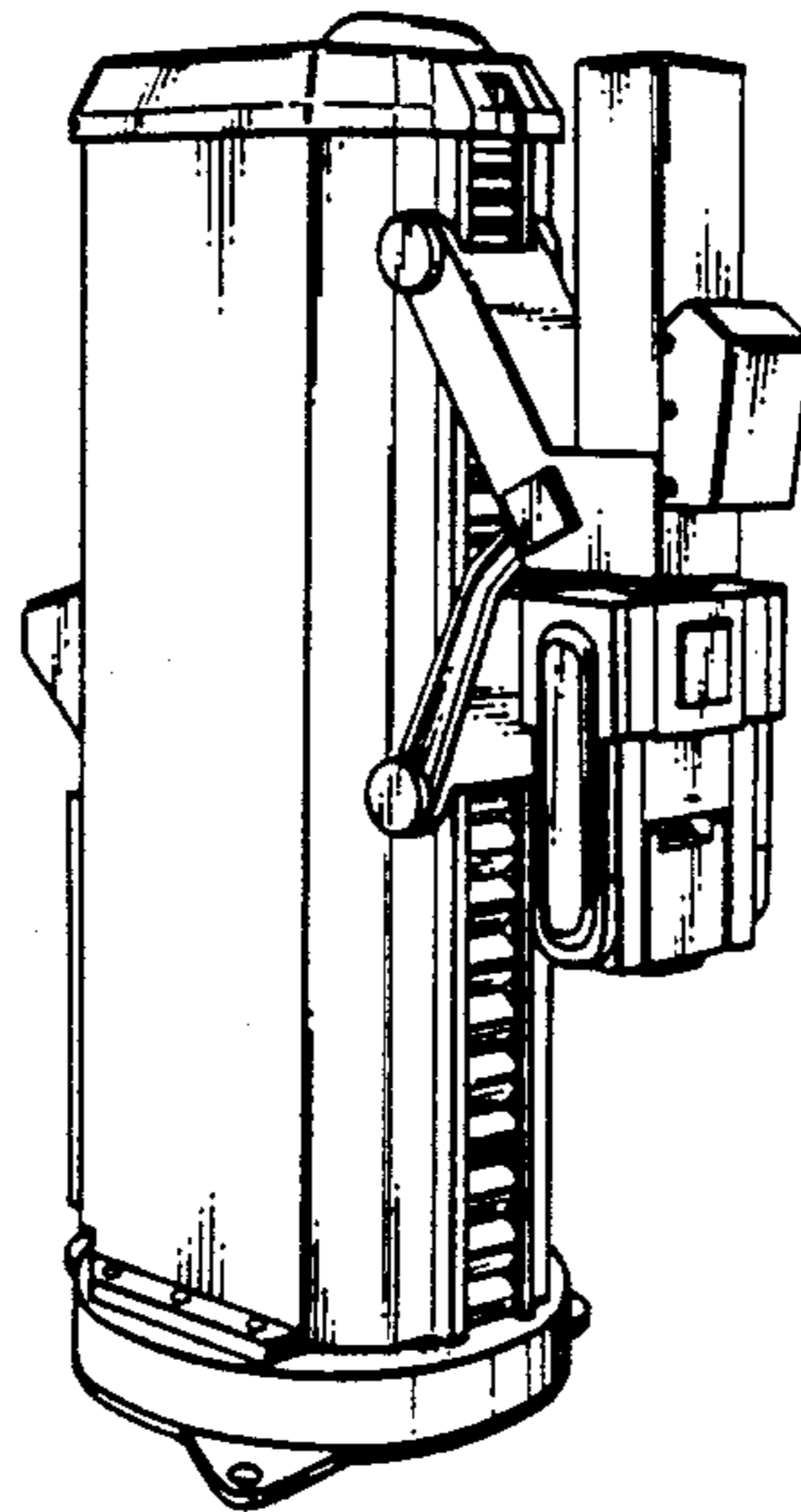


FIG. 1

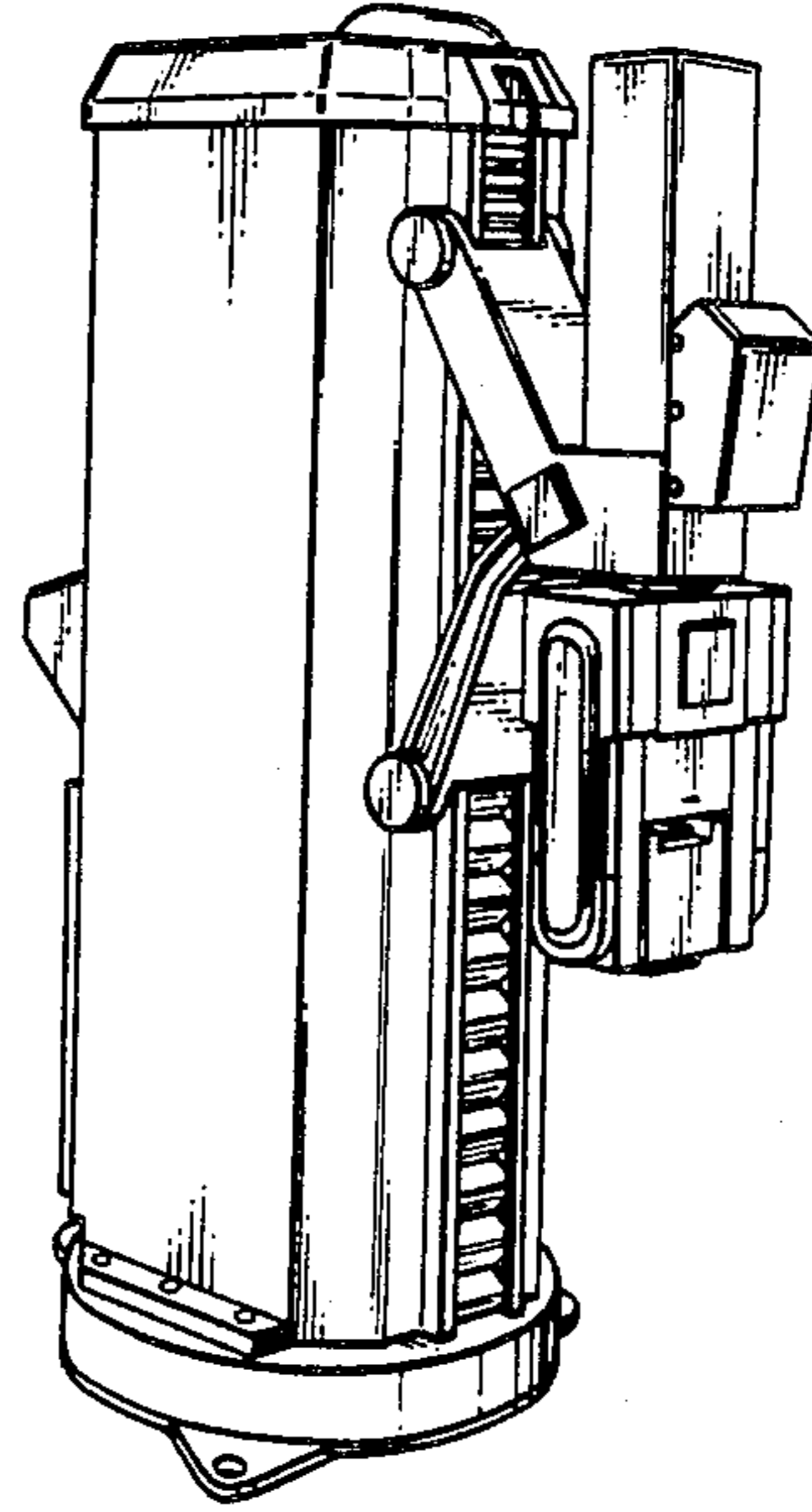


FIG. 2

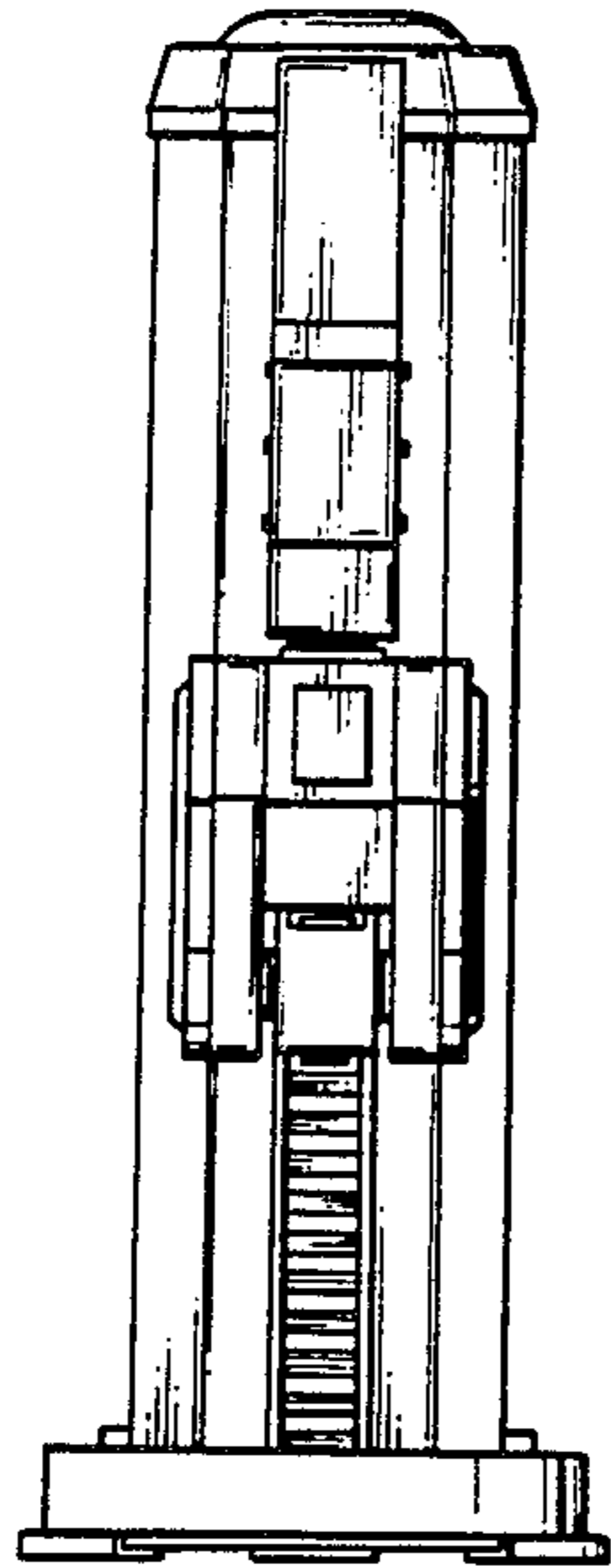


FIG. 4

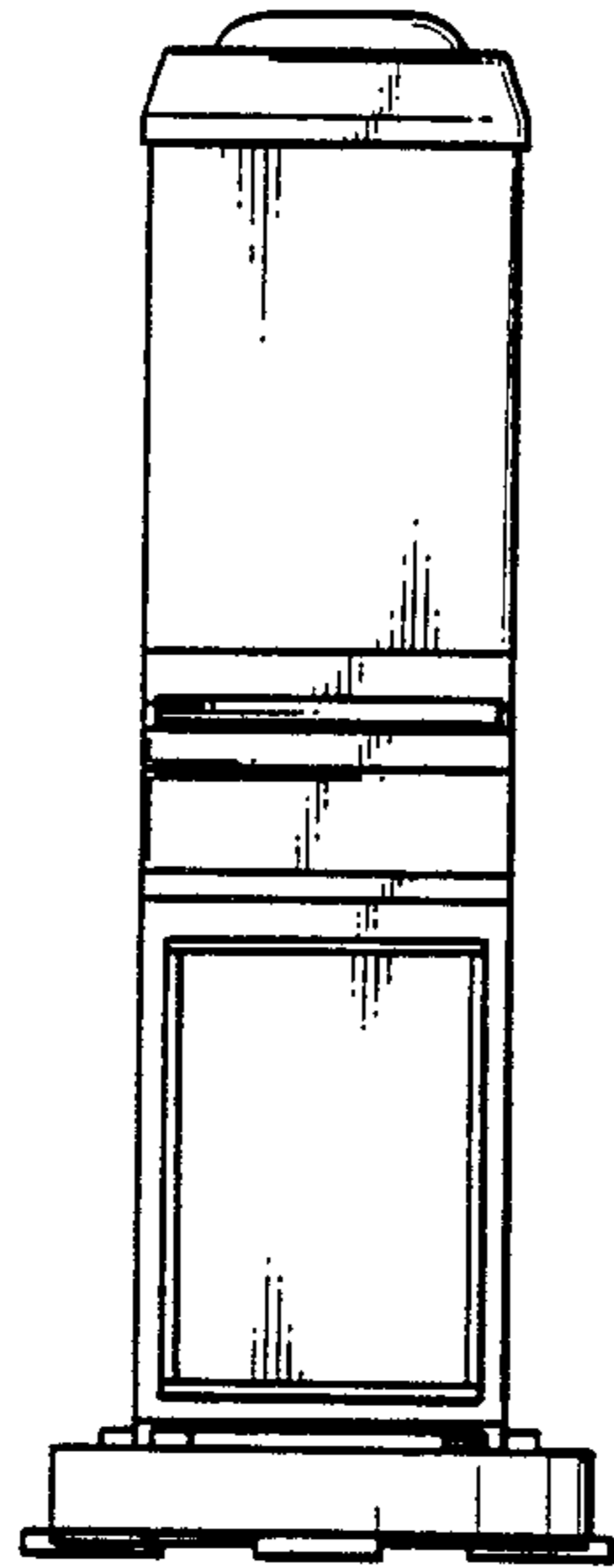


FIG. 3

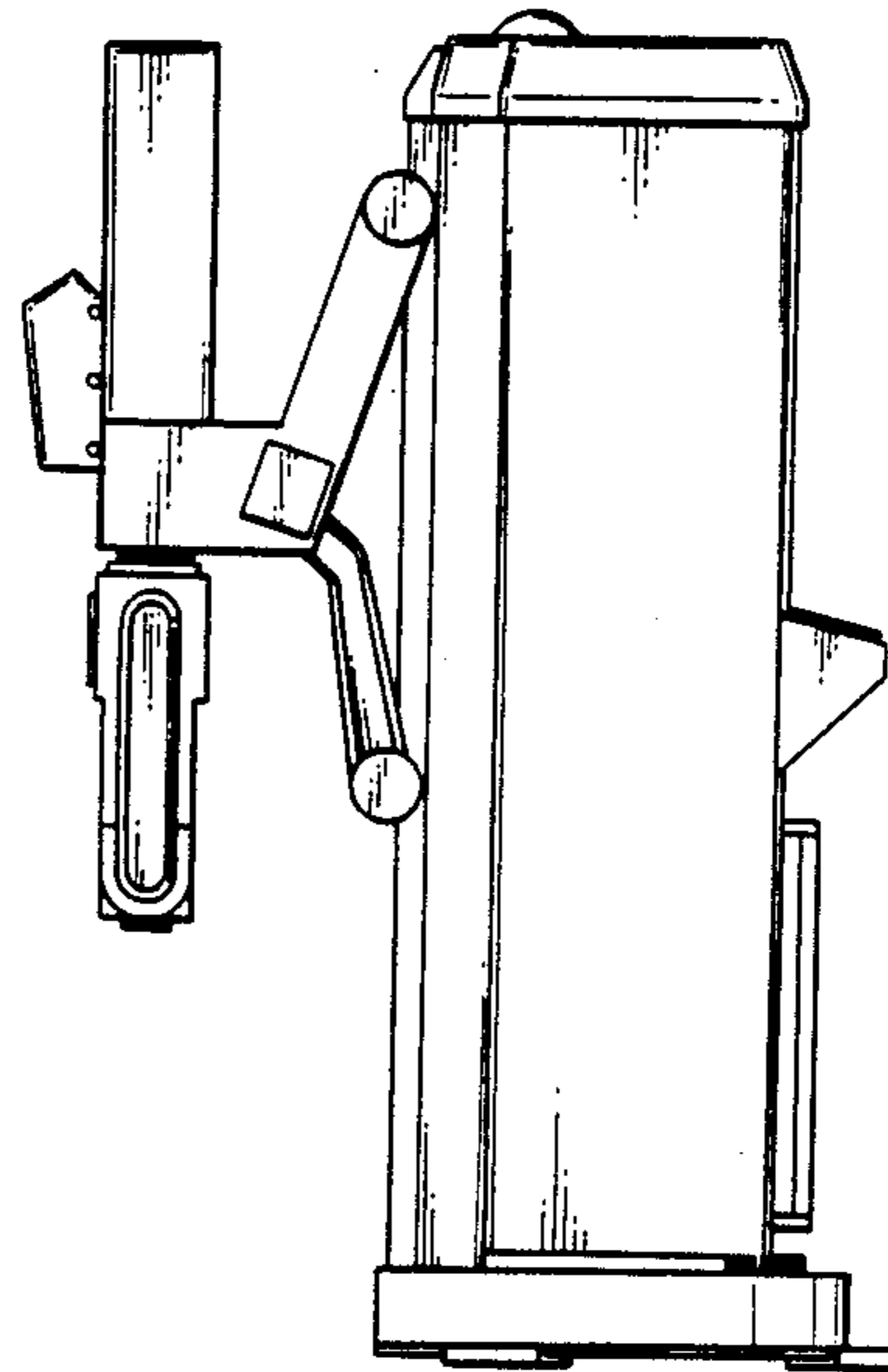


FIG. 5

