

[54] AIR COMPRESSOR FOR TIRE INFLATION

[76] Inventor: Ta-Chin Wang, No. 269, An Ho Rd., Sec. 2, Tainan City, Taiwan

[**] Term: 14 Years

[21] Appl. No.: 743,522

[22] Filed: Jun. 11, 1985

[30] Foreign Application Priority Data

Jan. 12, 1985 [TW] Taiwan 7430016

[52] U.S. Cl. D15/9

[58] Field of Search D15/7-9; 417/229, 234, 321, 410-411, 572

[56] References Cited

U.S. PATENT DOCUMENTS

- D. 222,846 1/1972 Kondo D15/9
- D. 270,733 9/1983 Davis D15/9
- D. 286,782 11/1986 Somers D15/7
- 4,631,006 12/1986 Murray 417/234

OTHER PUBLICATIONS

J. C. Whitney catalogue 451-D, p. 139, "Our Best Heavy Duty Portable Air Compressors", #15-9308A. J. C. Whitney catalogue 451-D, p. 139, "Portable 12-volt Air Compressor", #81-1402R.

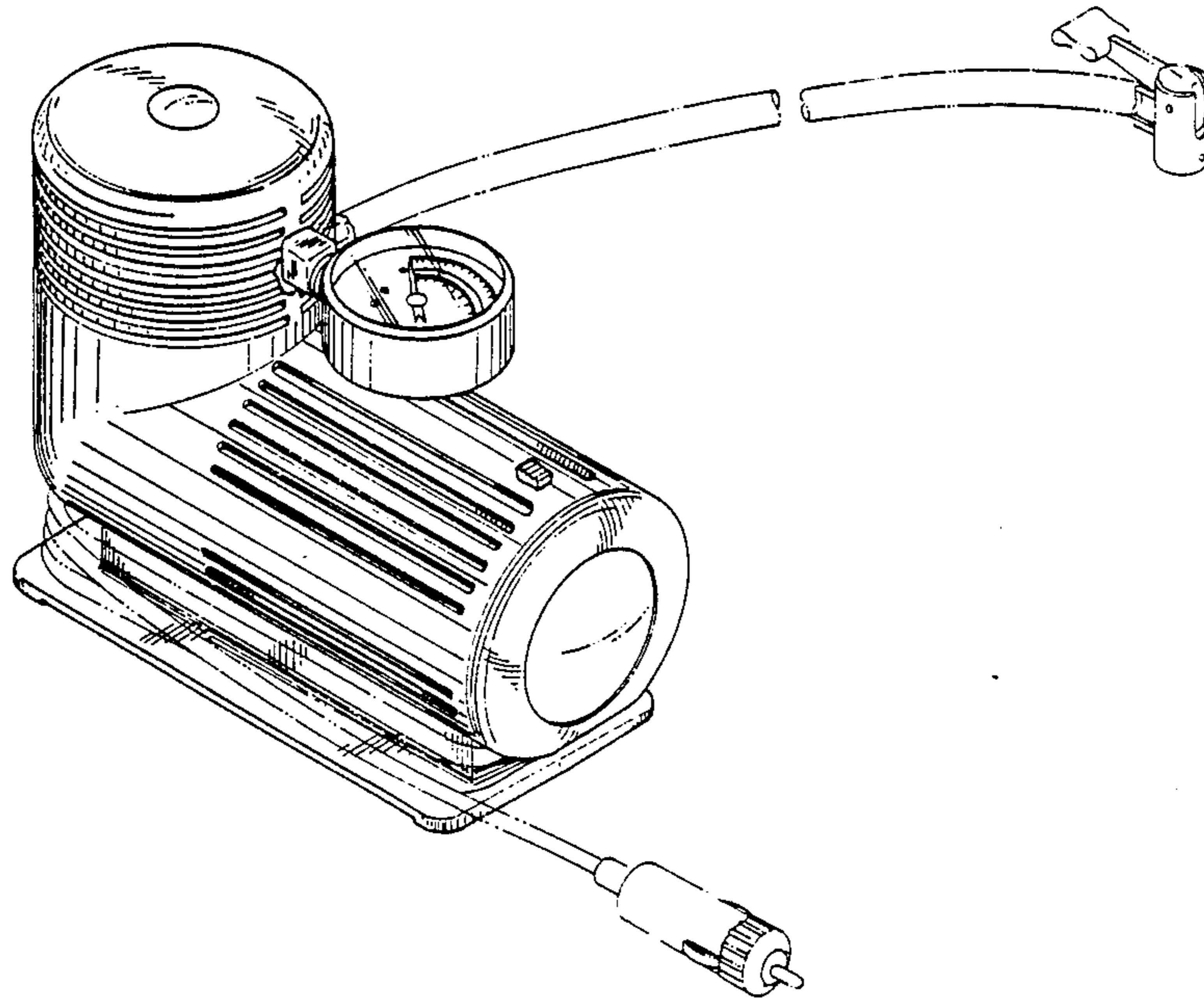
Primary Examiner—Wallace R. Burke
Assistant Examiner—Brian N. Vinson
Attorney, Agent, or Firm—Ladas & Parry

[57] CLAIM

The ornamental design for an air compressor for tire inflation, as shown and described.

DESCRIPTION

FIG. 1 is a top perspective view of an air compressor for tire inflation showing my new design; FIG. 2 is a front elevational view thereof; FIG. 3 is a rear elevational view thereof; FIG. 4 is a left side elevational view thereof; FIG. 5 is a right side elevational view thereof; FIG. 6 is a top plan view thereof; FIG. 7 is a bottom plan view thereof; and FIG. 8 is a top perspective view thereof, the broken-line showing of the tubing being for illustrative purposes only and forming no part of the claimed design.



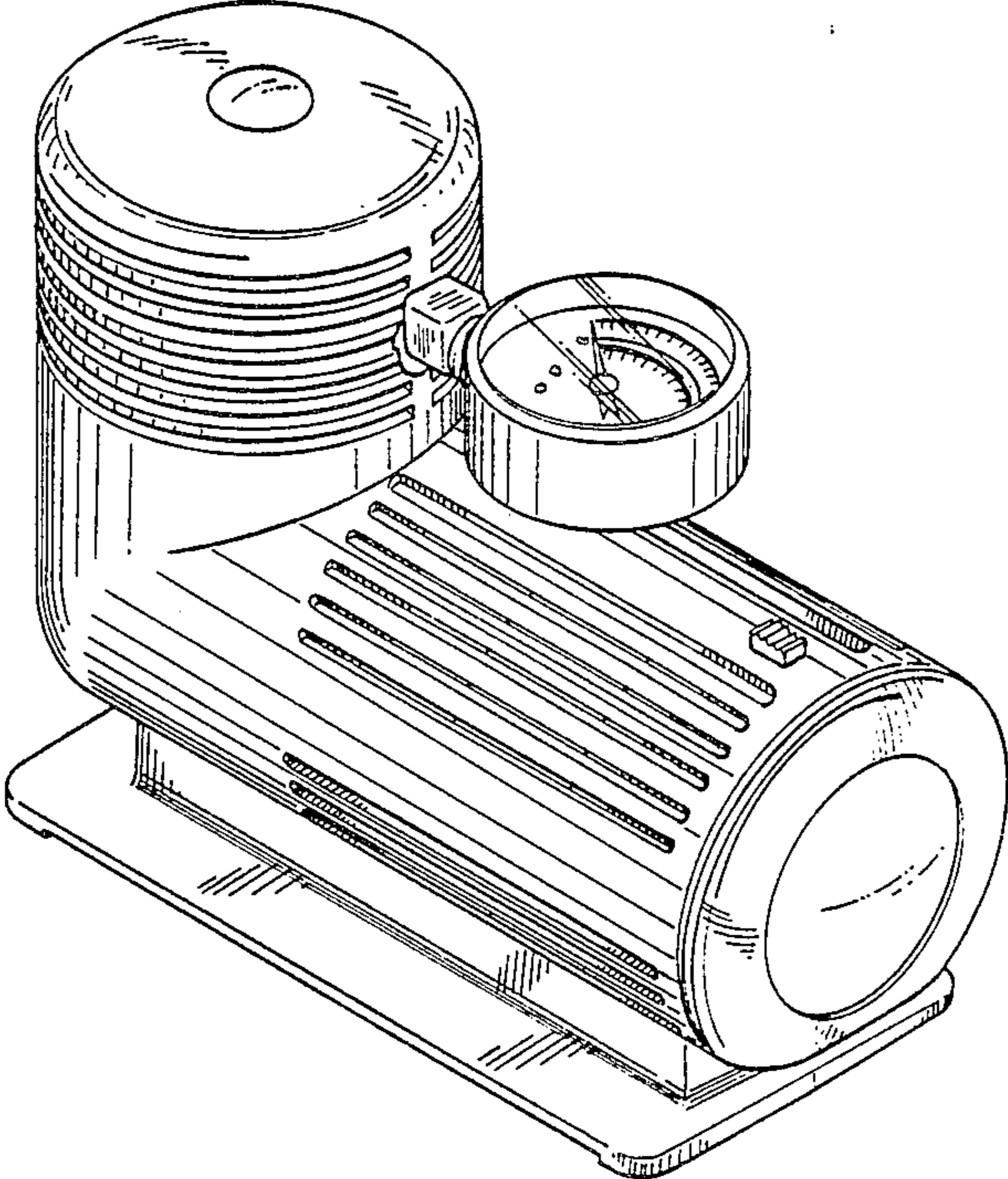


FIG. 1

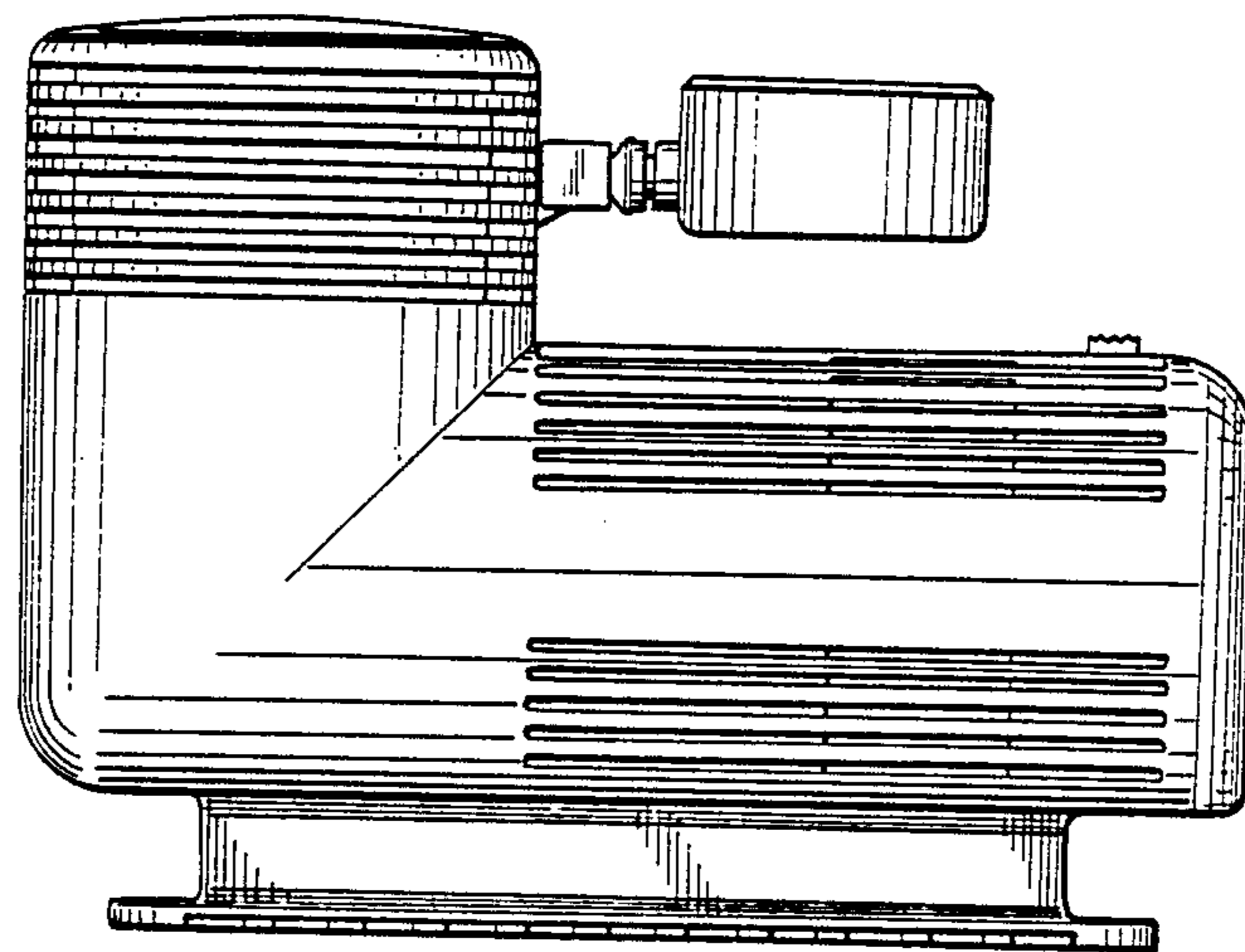


FIG. 2

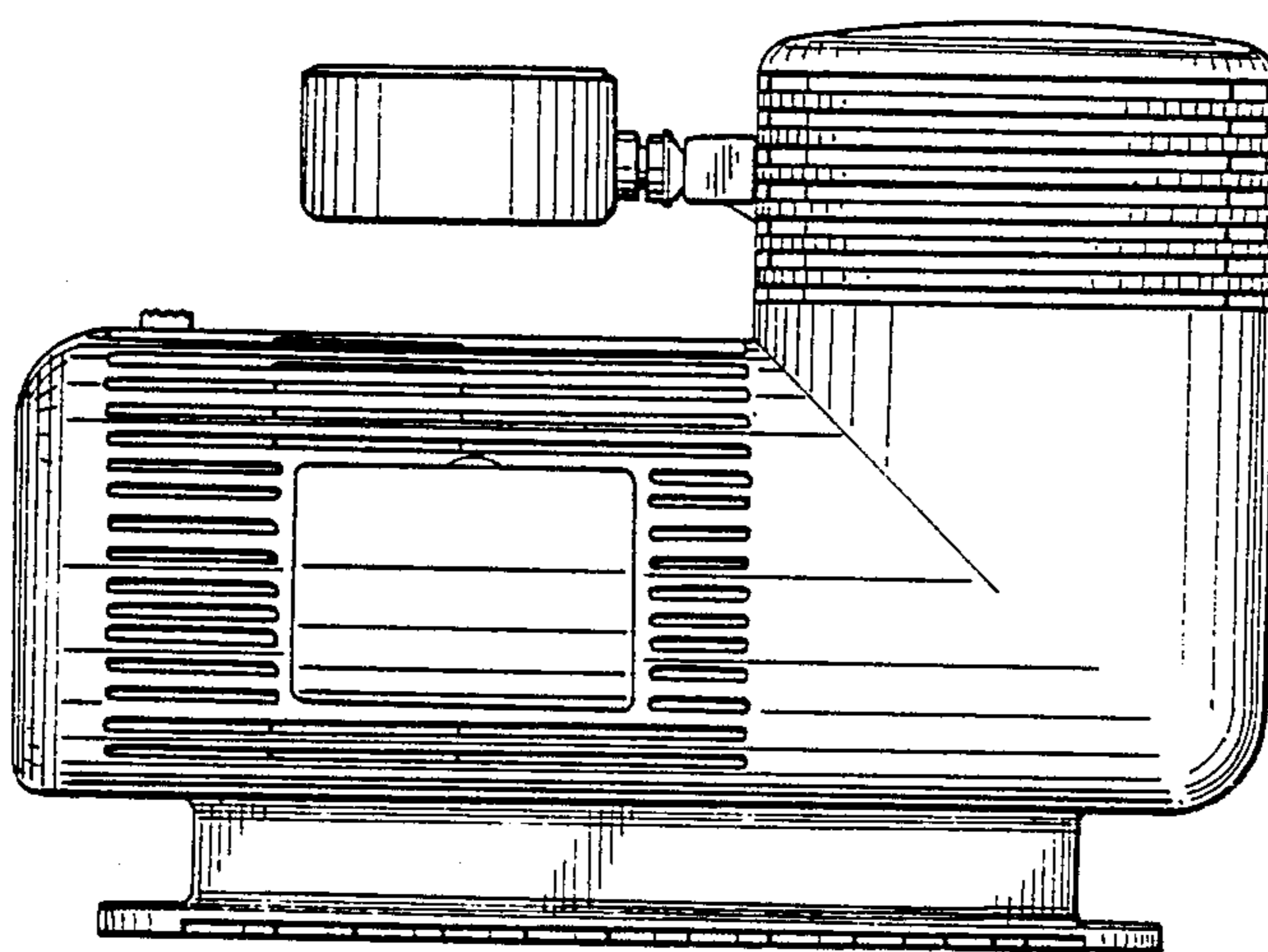


FIG. 3

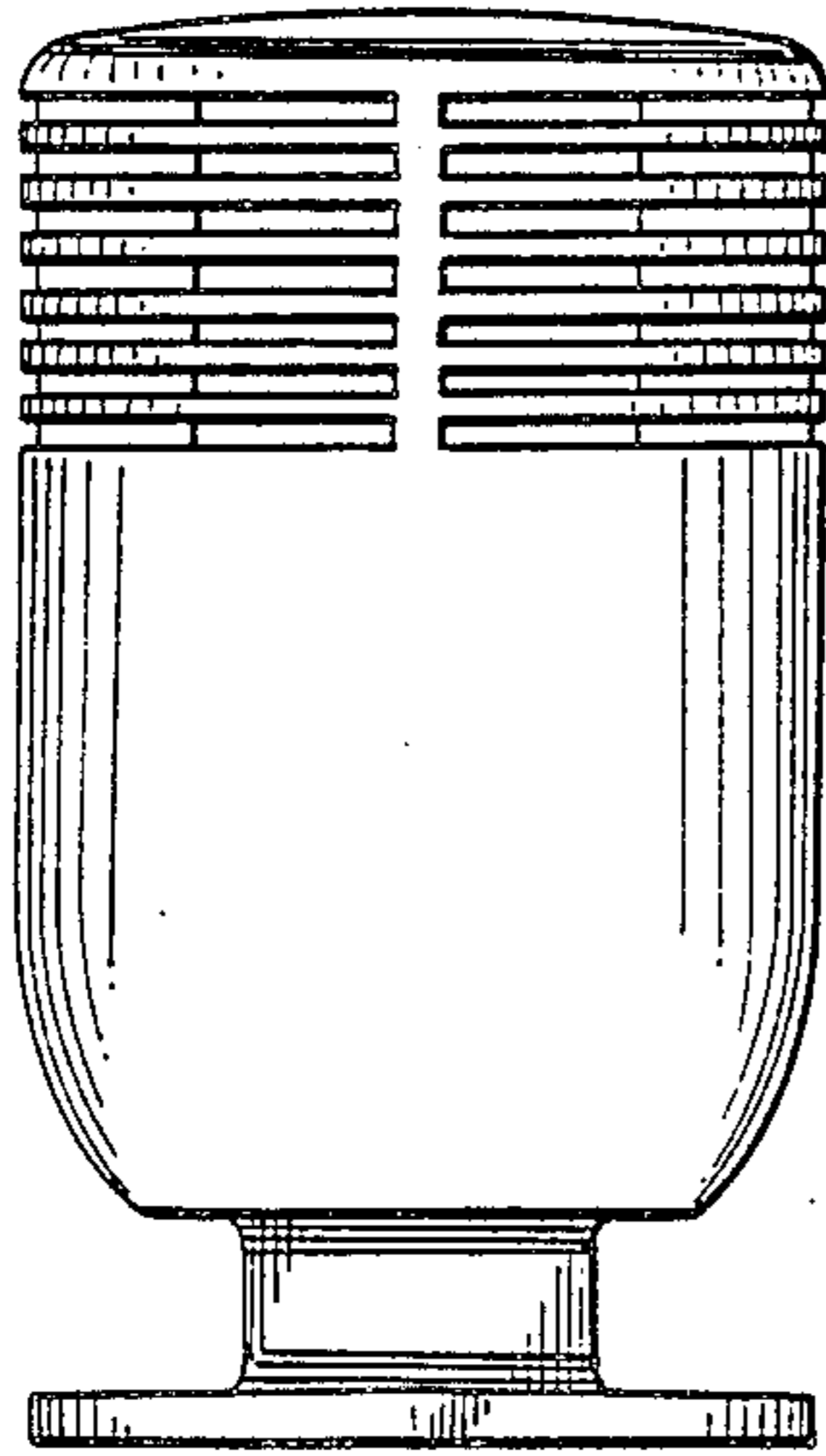


FIG. 4

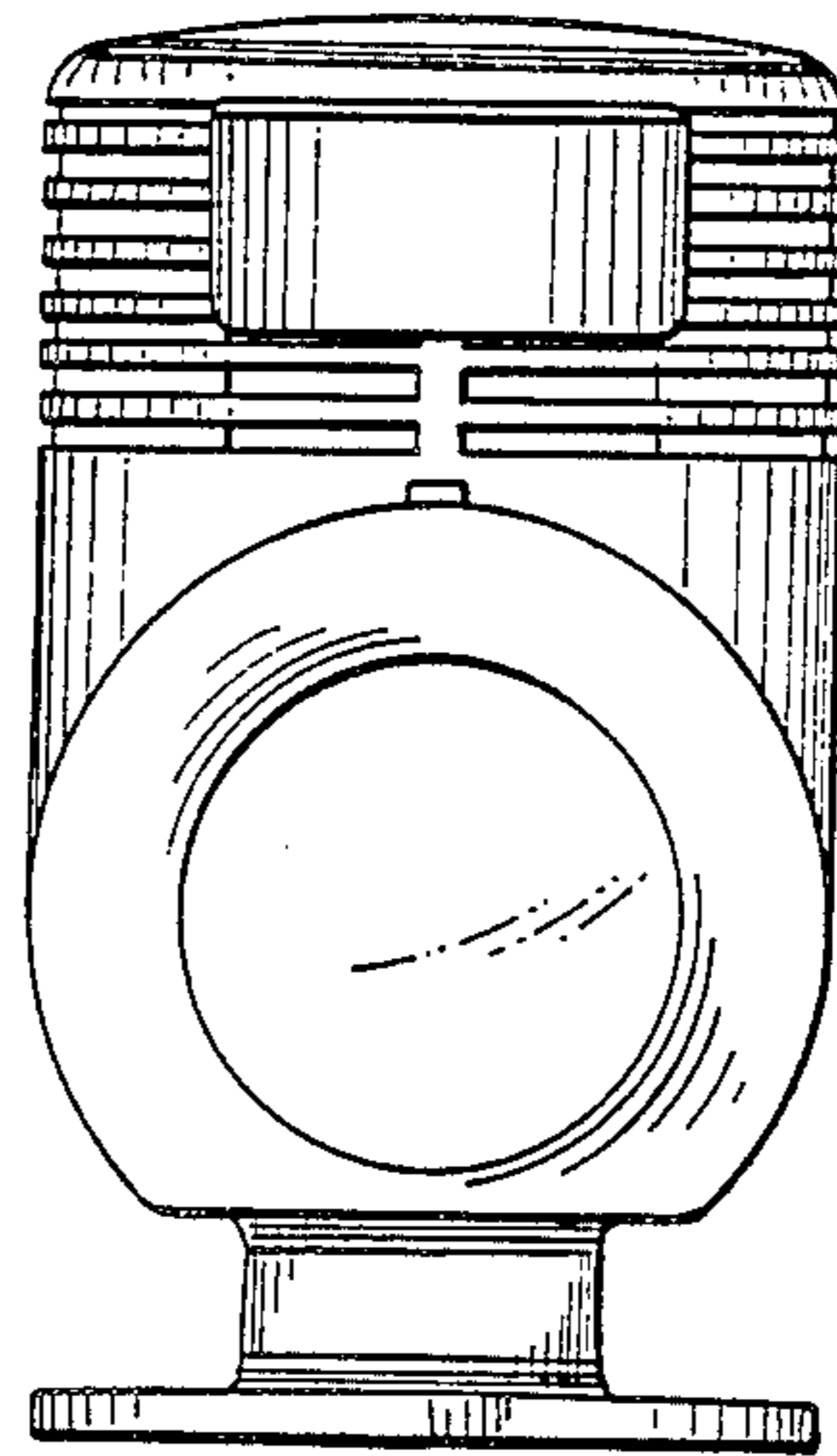


FIG. 5

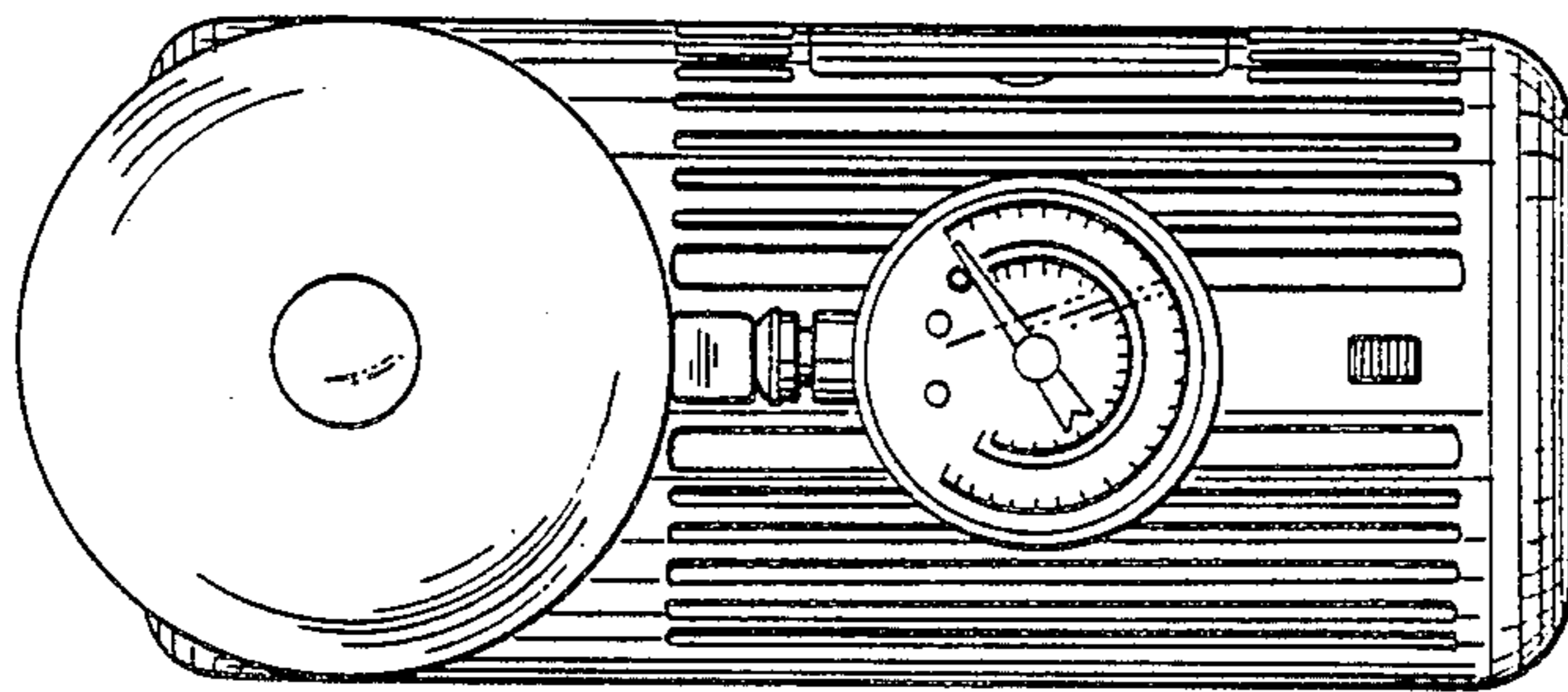


FIG. 6

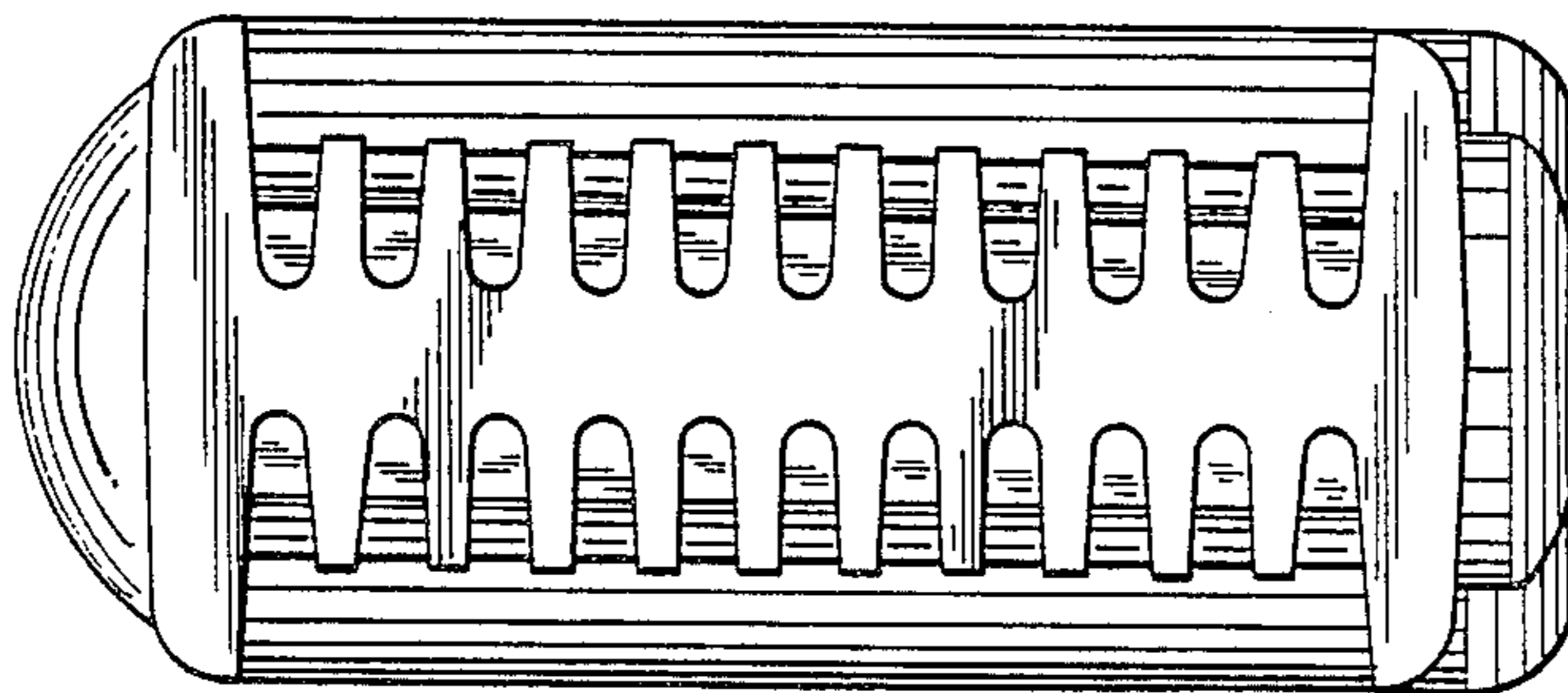


FIG. 7

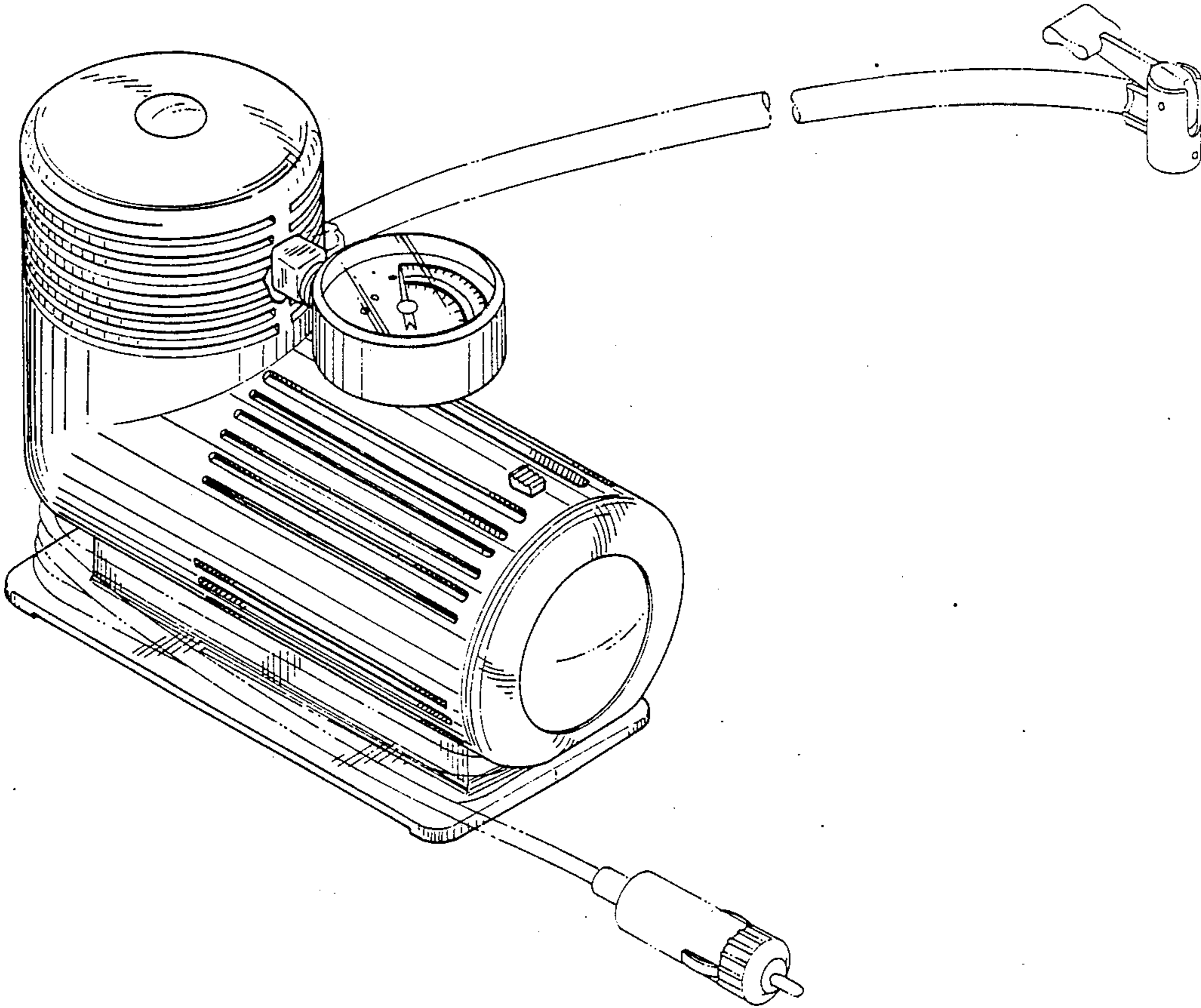


FIG. 8