

[54] MODEM

[75] Inventors: William MacKenzie, San Jose; Stephen Peart, Los Gatos, both of Calif.

[73] Assignee: Apple Computer, Inc., Cupertino, Calif.

[**] Term: 14 Years

[21] Appl. No.: 755,815

[22] Filed: Jul. 17, 1985

[52] U.S. Cl. D14/107

[58] Field of Search D14/100, 102, 105, 107, D14/114, 109; D13/12, 40, 41; 361/331, 332, 380, 390, 391; 174/52 R

[56] References Cited

U.S. PATENT DOCUMENTS

D. 269,345 6/1983 Payne, Jr. et al. D14/107

OTHER PUBLICATIONS

Telecommunication Products & Technology, 3-1984, p. 15, Gandalf Async mini modem.

Primary Examiner—Susan J. Lucas
Attorney, Agent, or Firm—Blakely Sokoloff Taylor & Zafman

[57] CLAIM

The ornamental design for a modem, substantially as shown.

DESCRIPTION

FIG. 1 is a perspective view of a modem illustrating our new design;

FIG. 2 is a top plan view thereof;

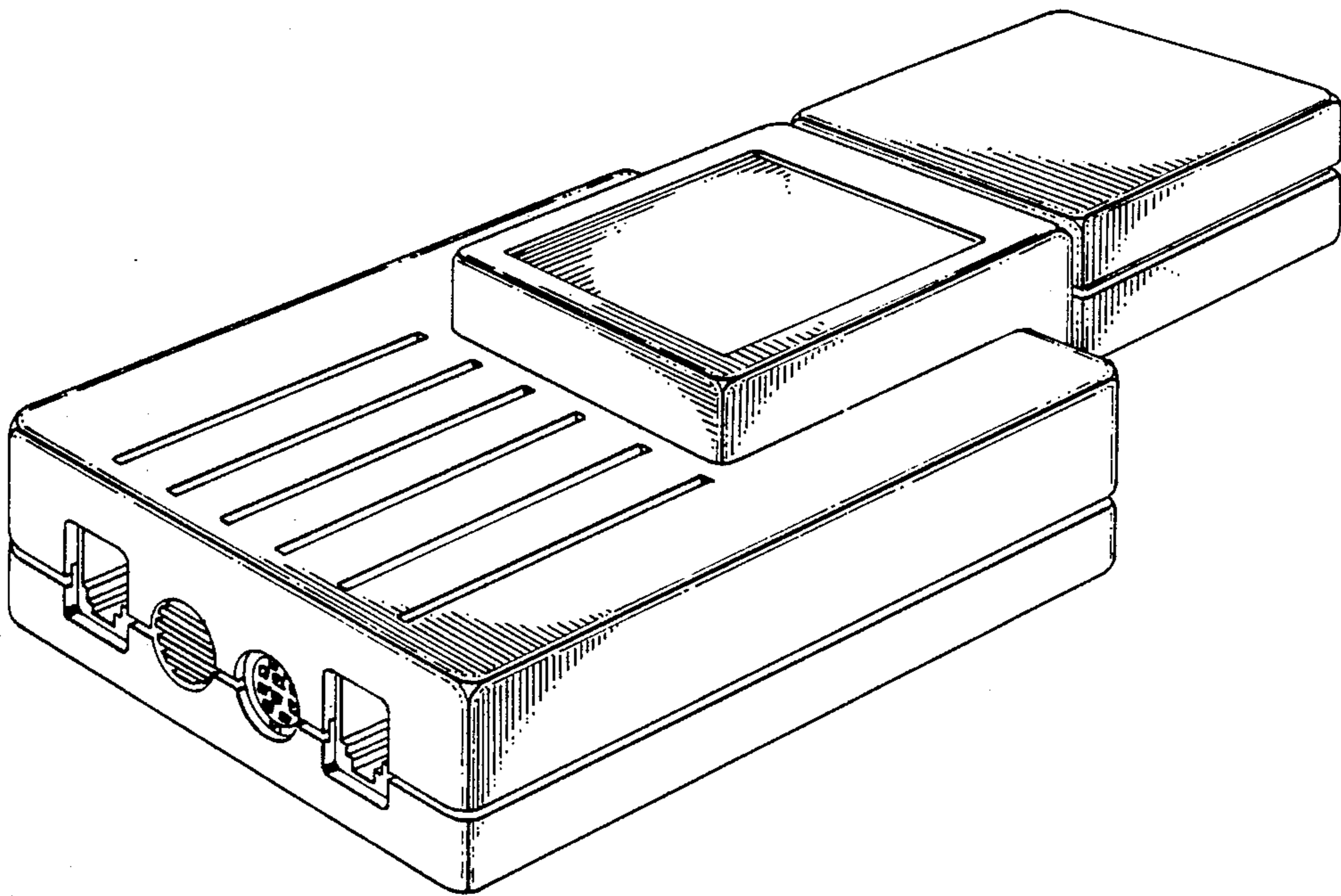
FIG. 3 is a left side elevational view thereof;

FIG. 4 is a bottom plan view thereof;

FIG. 5 is a right side elevational view thereof;

FIG. 6 is a rear elevational view thereof.

FIG. 7 is a front elevational view thereof.



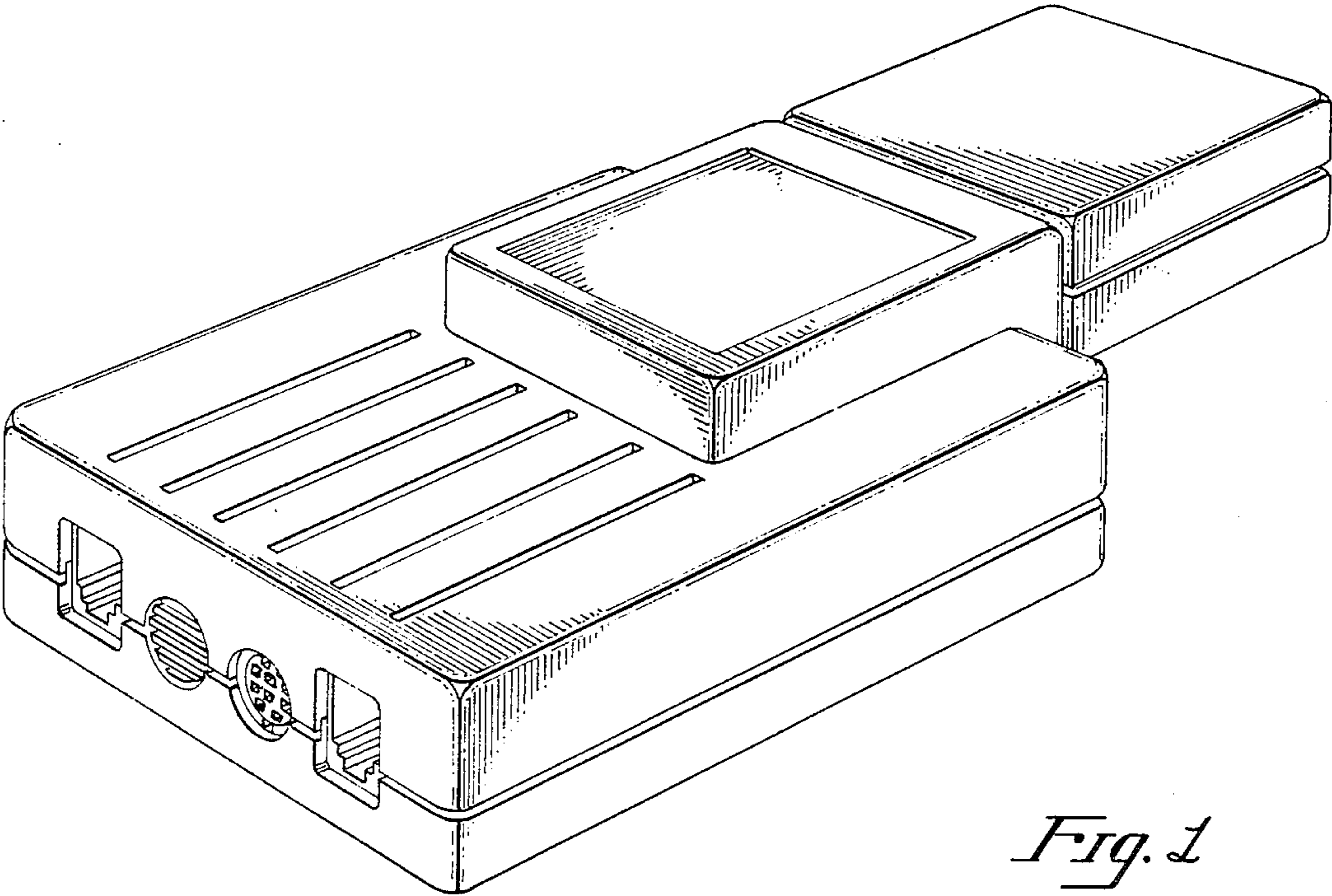


Fig. 1

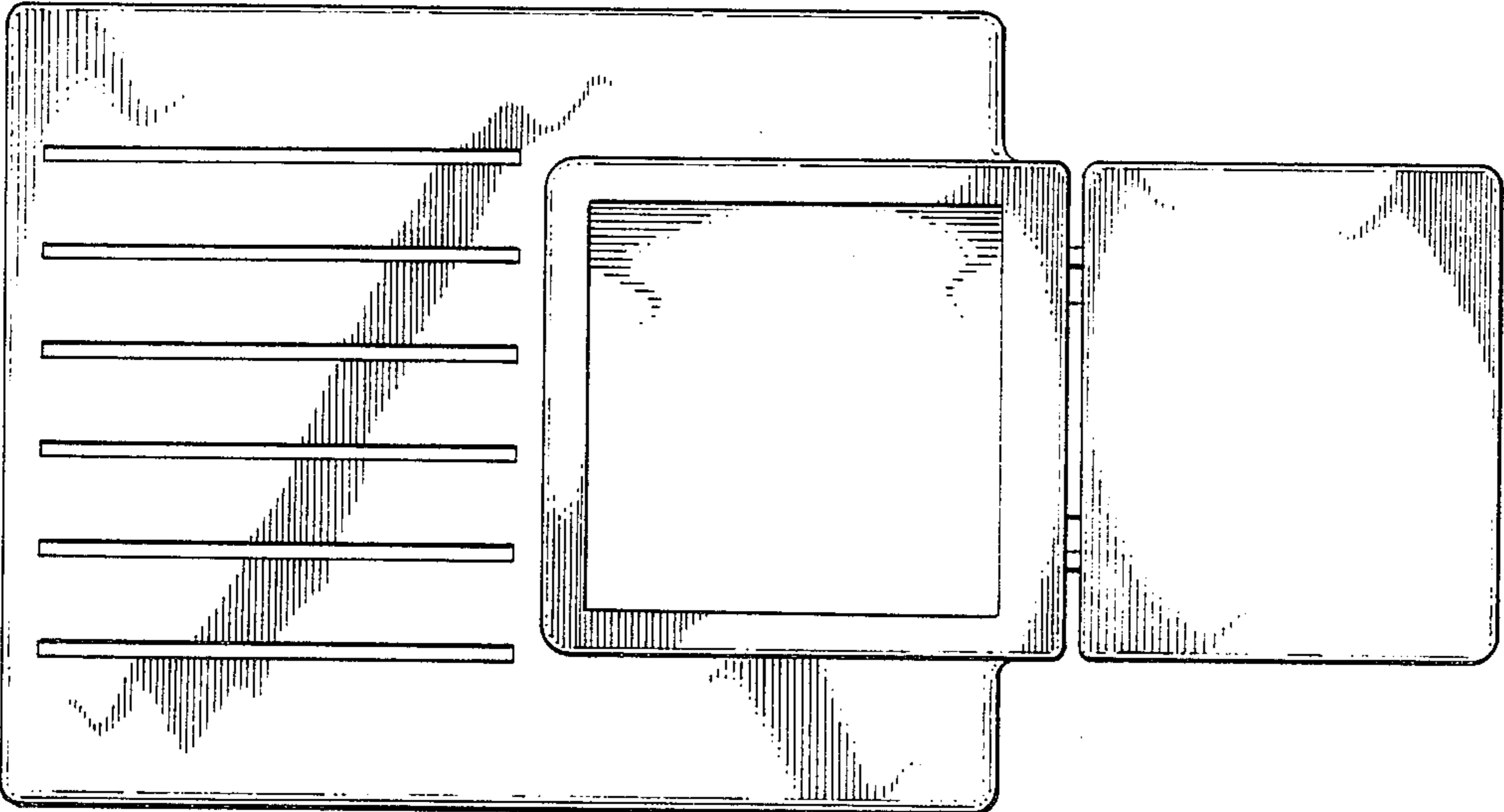


Fig. 2

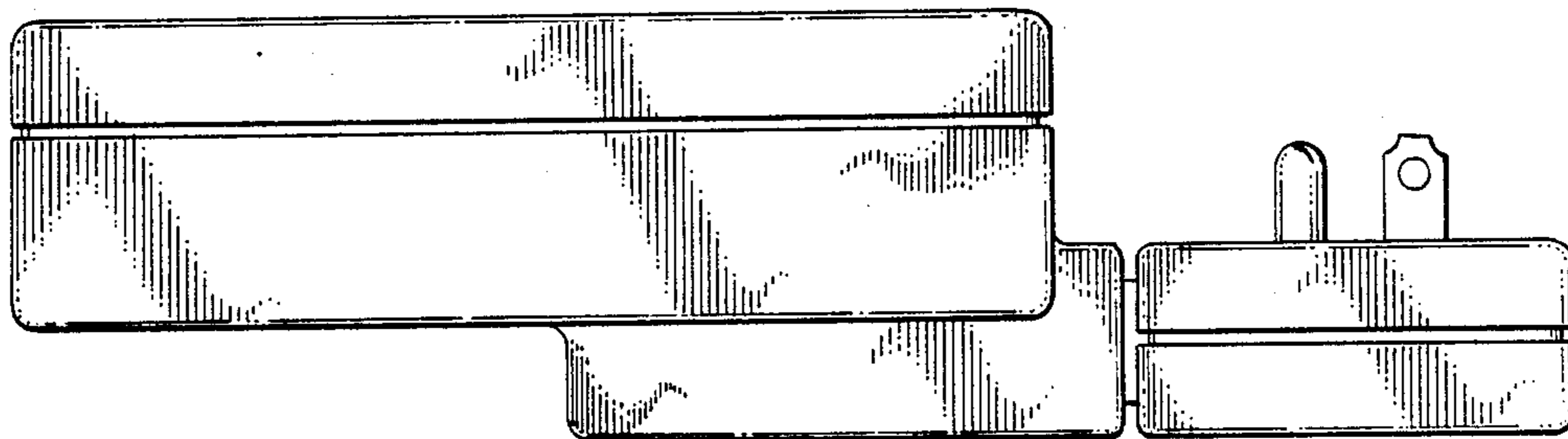


Fig. 3

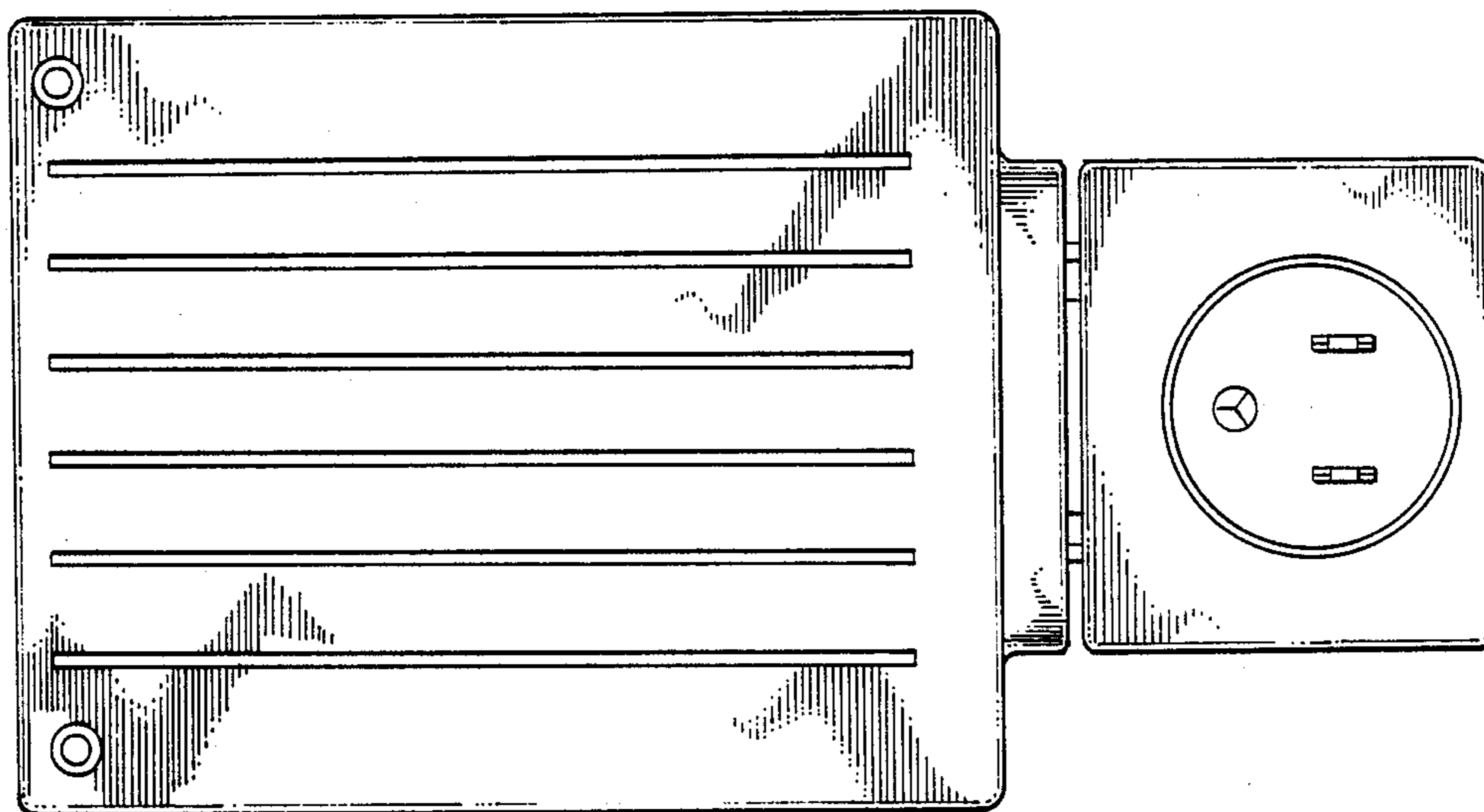


Fig. 4

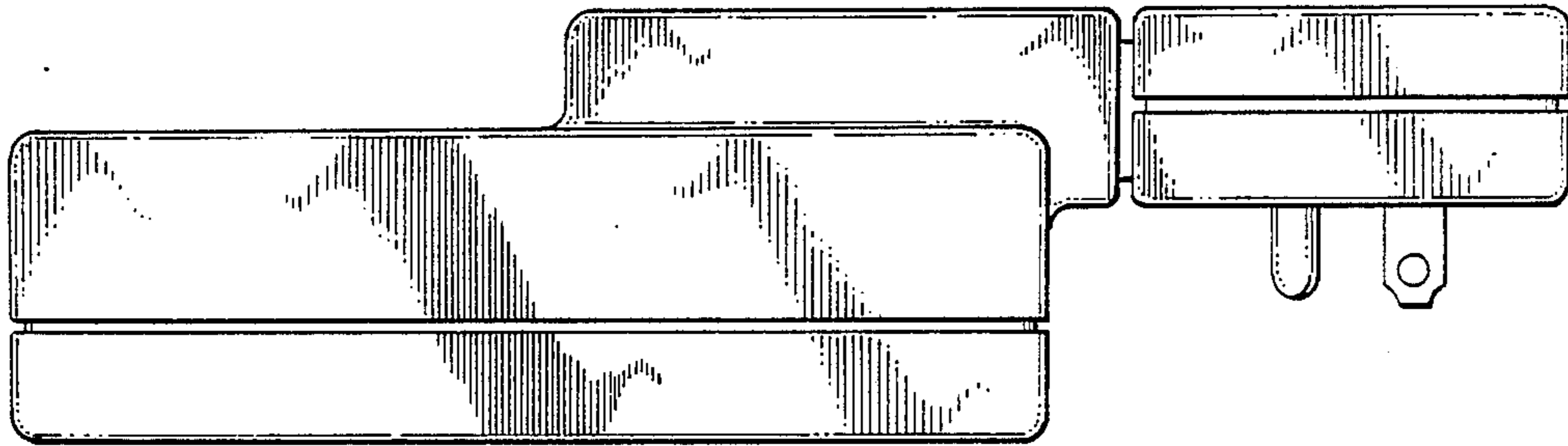


Fig. 5

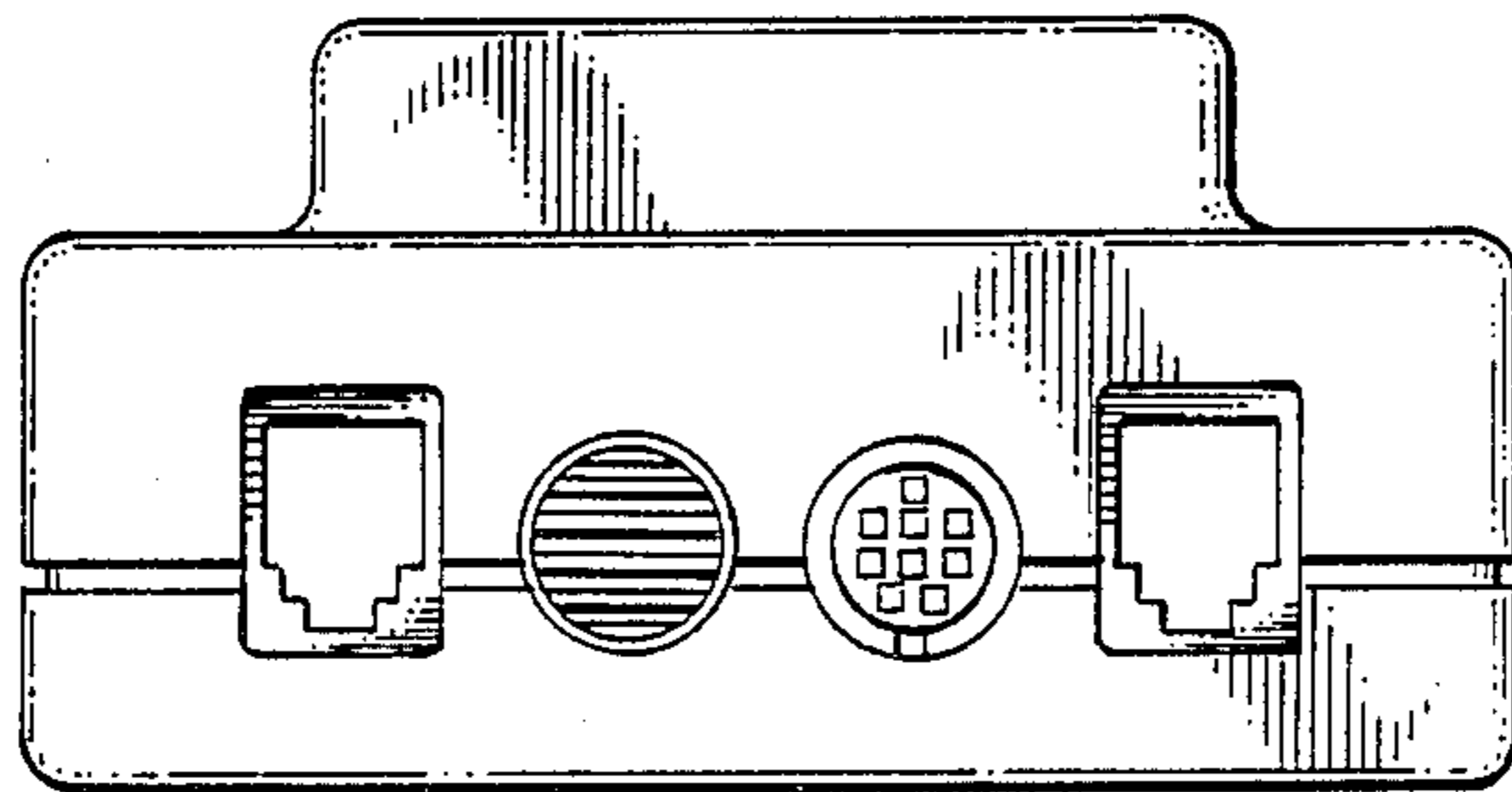


Fig. 6

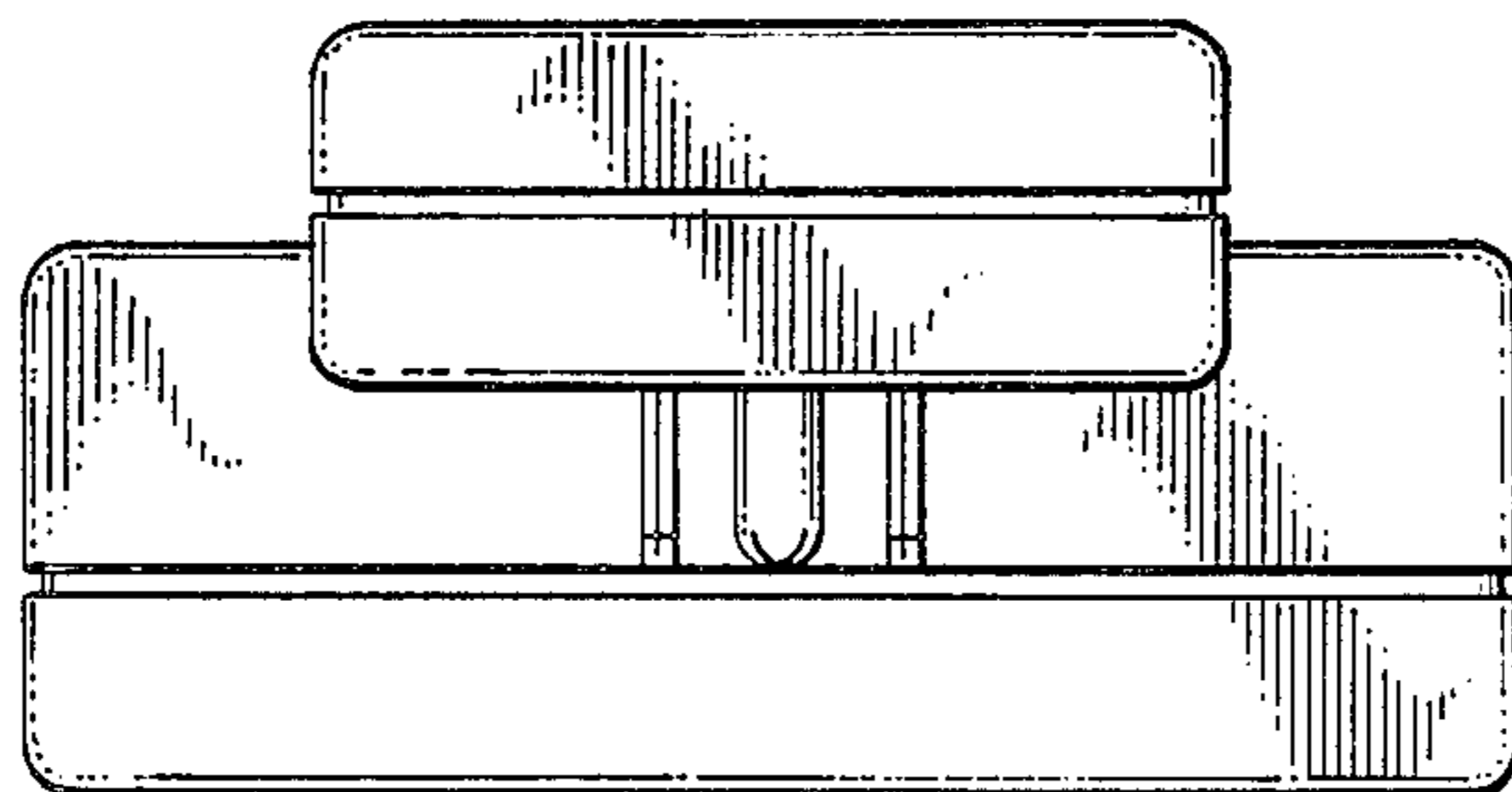


Fig. 7