

[54] READER FOR IMAGE INFORMATION STORING/RETRIEVING MACHINE

[75] Inventor: Shigeru Sutoh, Saitama, Japan

[73] Assignee: Kabushiki Kaisha Toshiba, Kawasaki, Japan

[**] Term: 14 Years

[21] Appl. No.: 793,222

[22] Filed: Oct. 31, 1985

[30] Foreign Application Priority Data

May 20, 1985 [JP] Japan 60-20498

[52] U.S. Cl. D14/107; D14/102

[58] Field of Search D14/105, 107, 114, 94; D16/30, 31; 235/454, 470; 250/203 R, 566; 358/285

[56] References Cited

U.S. PATENT DOCUMENTS

- D. 158,768 5/1950 Kress D14/102
- D. 211,176 5/1968 Kneale et al. D14/107 X
- D. 217,723 6/1970 Aderman et al. D14/107

- D. 277,579 2/1985 Noonan D14/107
- 4,589,035 5/1986 Yamanishi et al. 358/285 X

OTHER PUBLICATIONS

Matsushita's A-I Scanner catalogue, Japan, Sep. 22, 1983.

Primary Examiner—Susan J. Lucas
Attorney, Agent, or Firm—Banner, Birch McKie & Beckett

[57] CLAIM

The ornamental design for a reader for image information storing/retrieving machine, as shown.

DESCRIPTION

FIG. 1 is a top, front and right side perspective view of a reader for image information storing retrieving machine showing my new design,
 FIG. 2 is a front elevational view thereof,
 FIG. 3 is a rear elevational view thereof,
 FIG. 4 is a top plan view thereof,
 FIG. 5 is a bottom plan view thereof,
 FIG. 6 is a right side elevational view thereof, and
 FIG. 7 is a left side elevational view thereof.

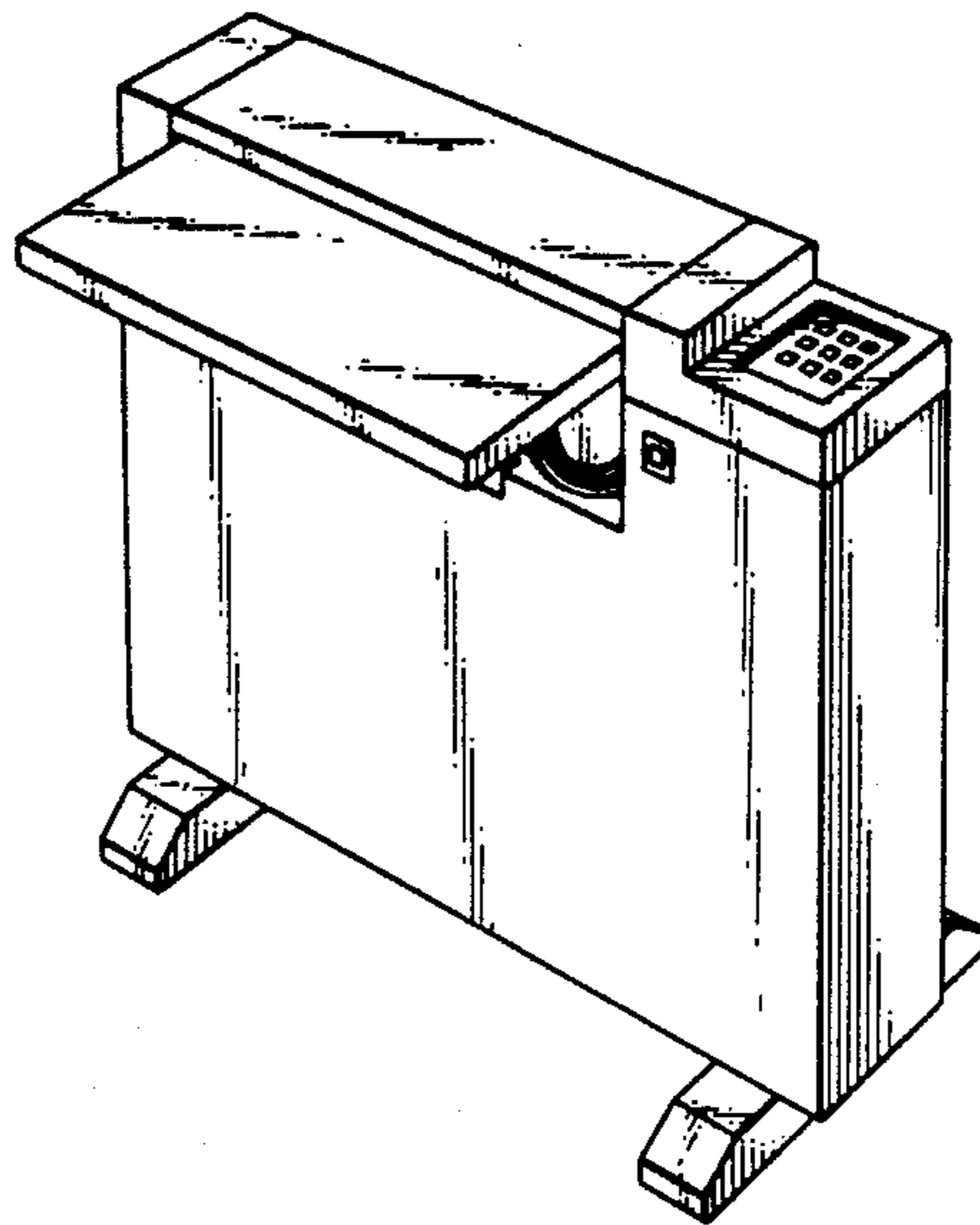


FIG. 1

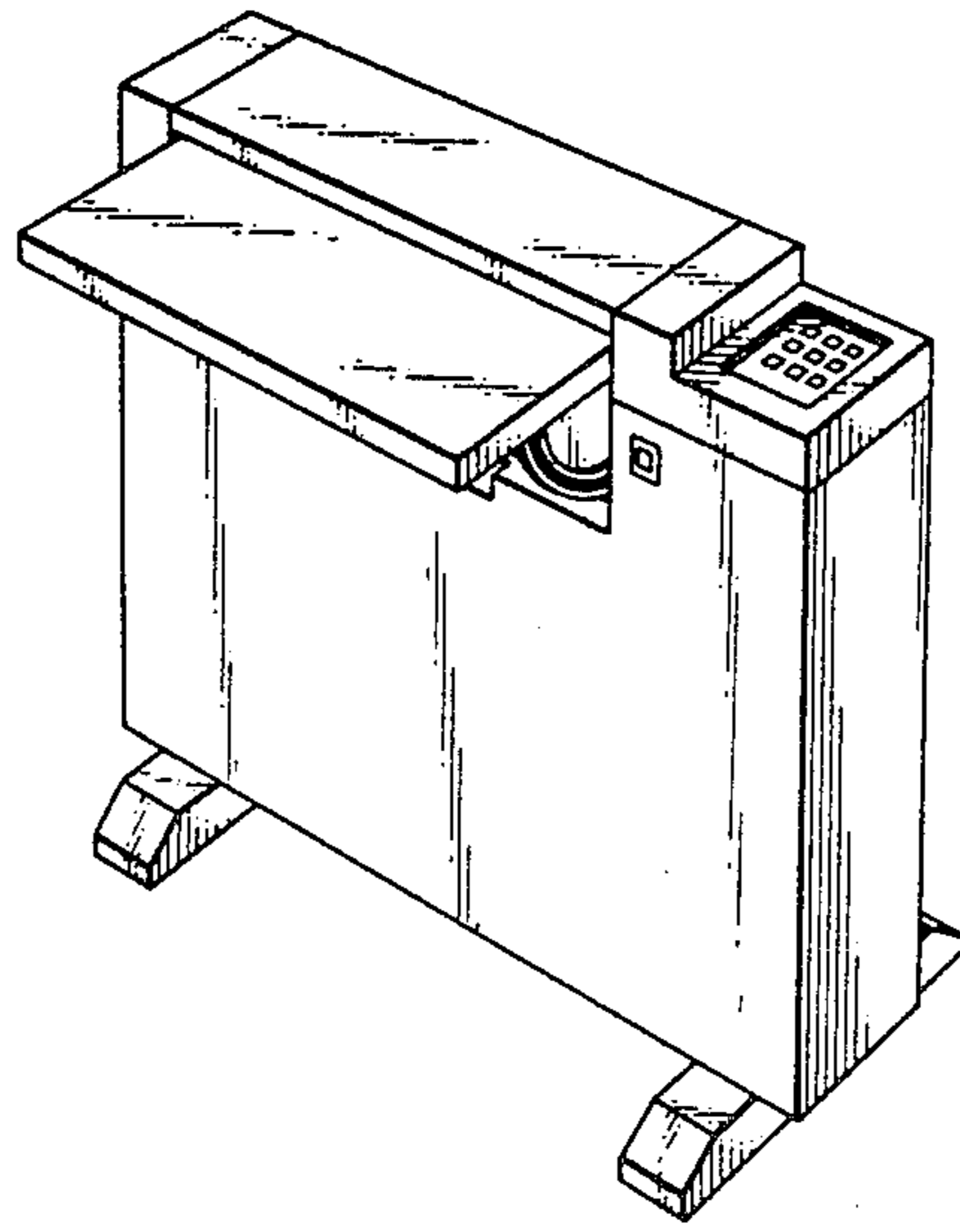


FIG. 2

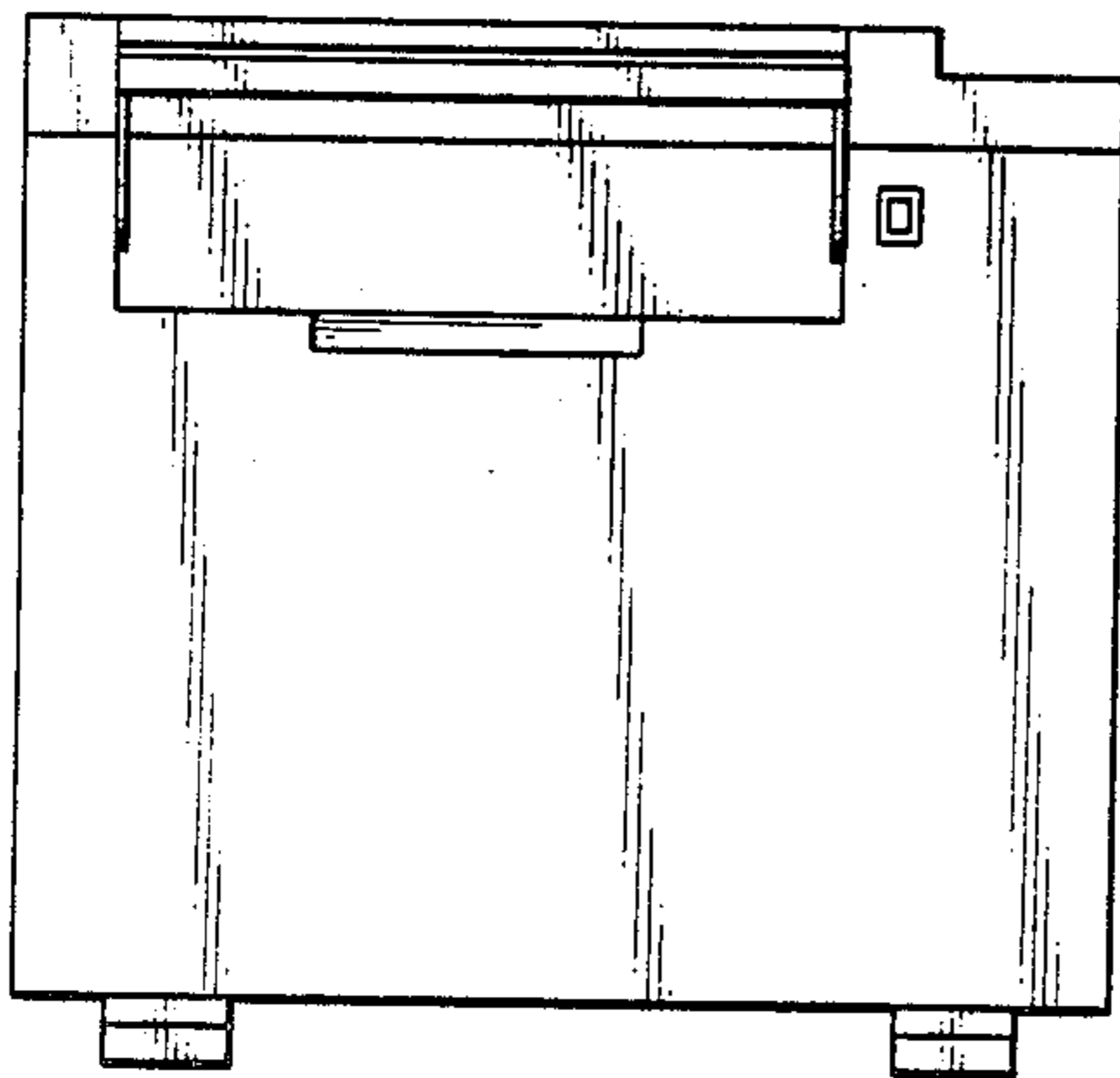


FIG. 3

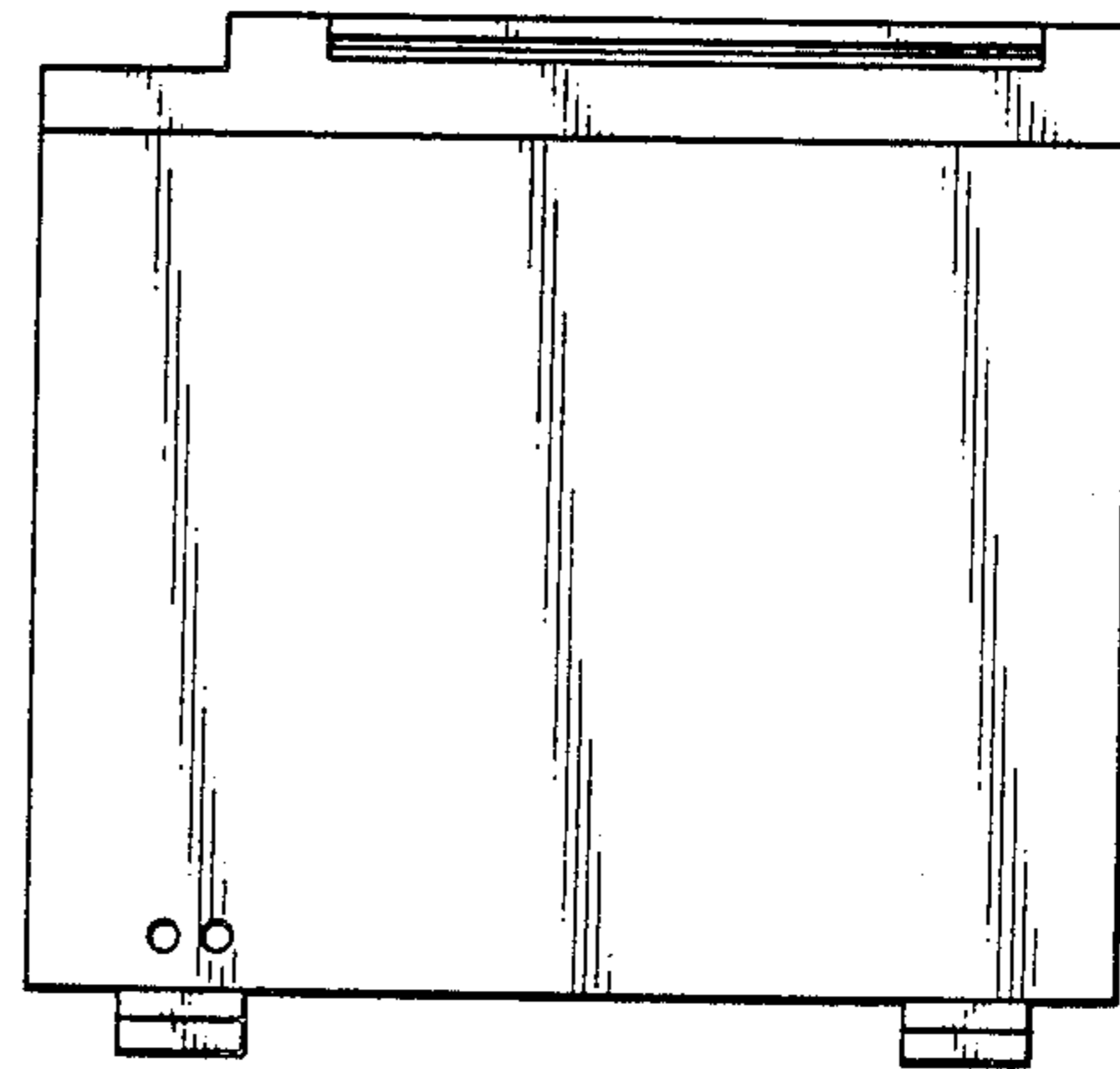


FIG. 4

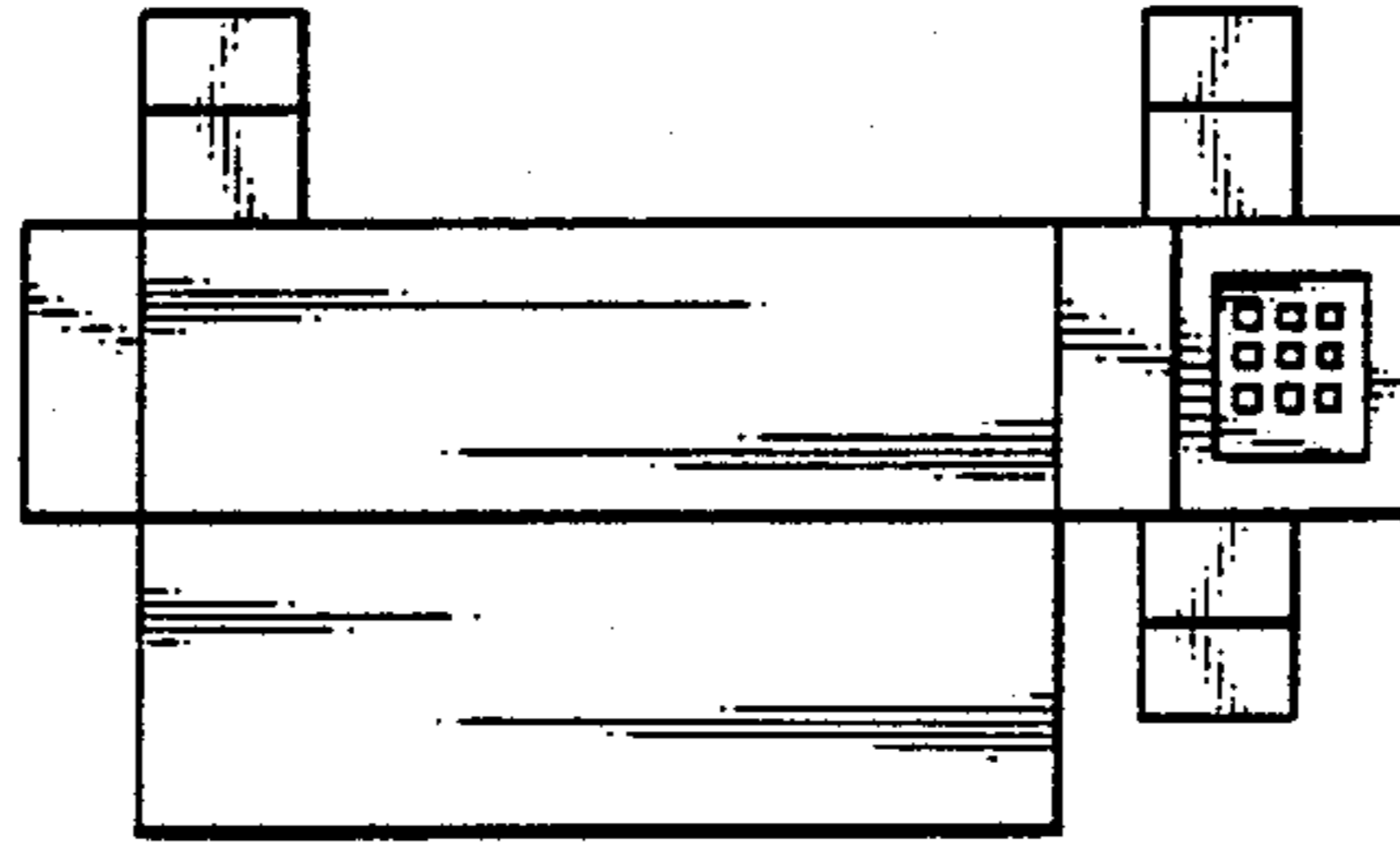


FIG. 5

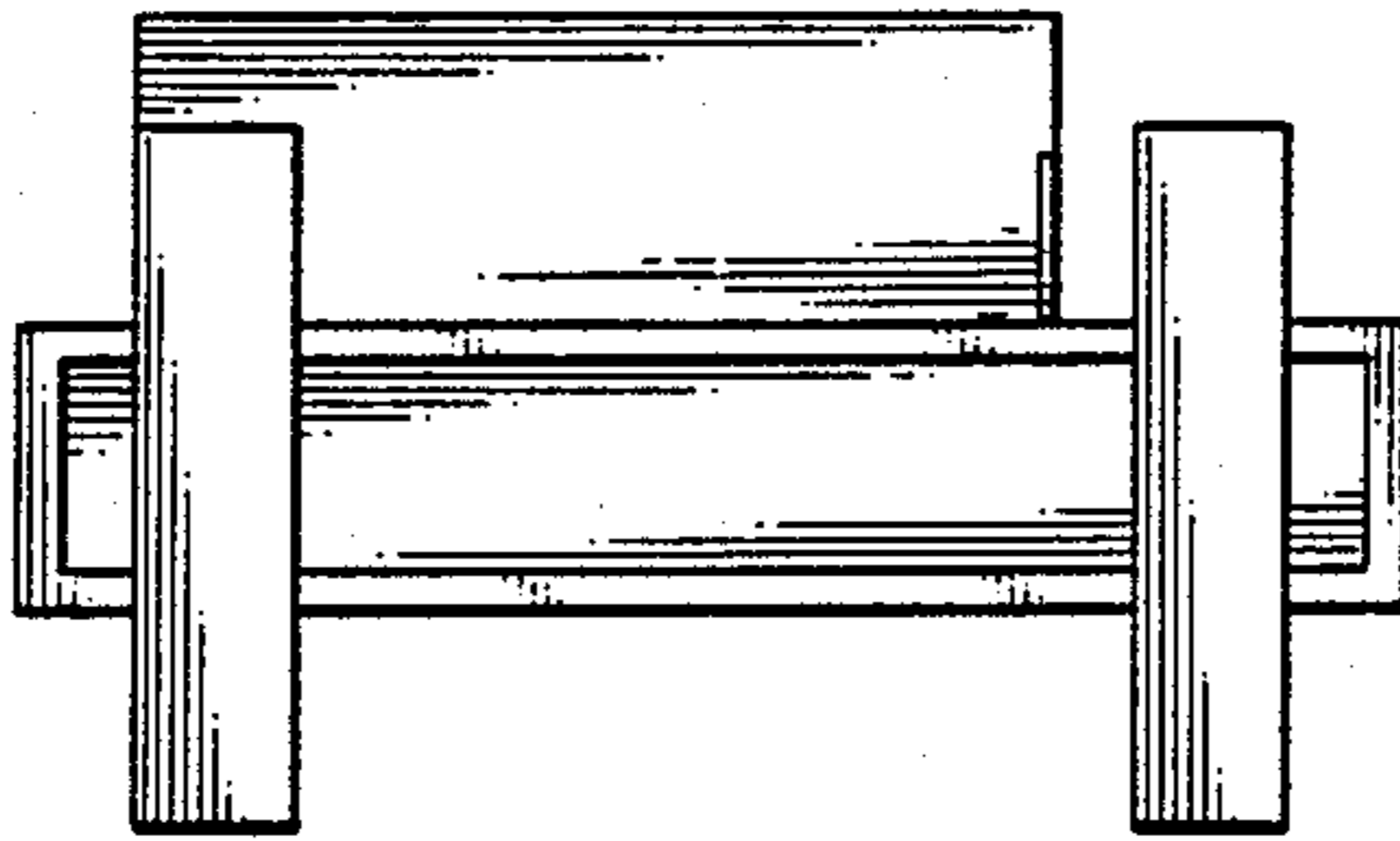


FIG. 6

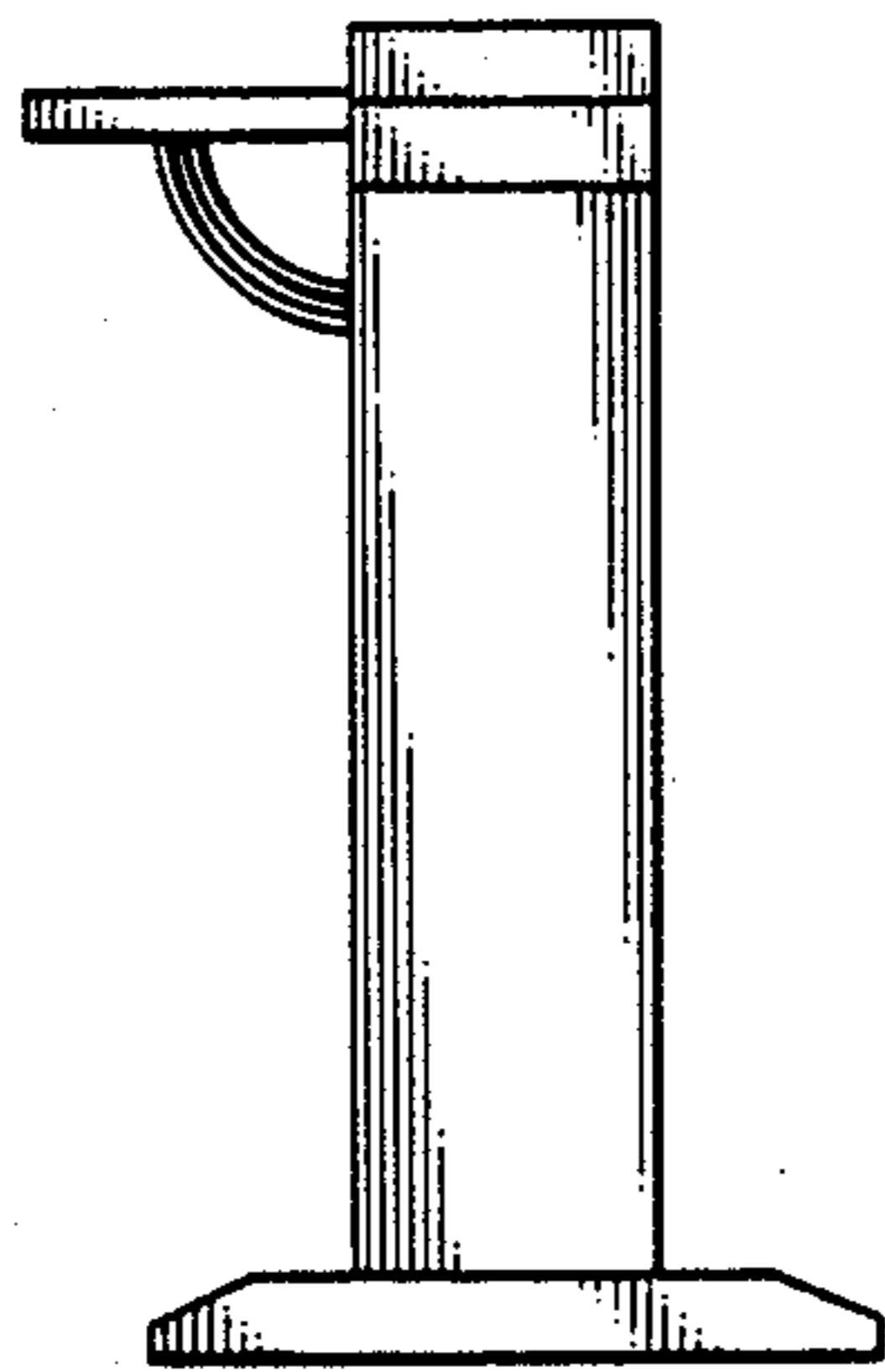


FIG. 7

