

[54] IMAGE SCANNER

[75] Inventor: Akira Imai, Kanagawa, Japan  
[73] Assignee: Ricoh Company, Ltd., Tokyo, Japan  
[\*\*] Term: 14 Years  
[21] Appl. No.: 726,625  
[22] Filed: Apr. 24, 1985

[30] Foreign Application Priority Data

Oct. 24, 1984 [JP] Japan ..... 59-044012

[52] U.S. Cl. .... D14/107; D14/94;  
D16/31

[58] Field of Search ..... D14/1, 94, 99, 107;  
D16/27, 28, 29, 30, 31, 32; 358/256, 286

[56] References Cited

U.S. PATENT DOCUMENTS

D. 268,581 4/1983 Kikuchi ..... D14/94  
D. 286,296 10/1986 Hara et al. .... D14/94  
D. 290,959 7/1987 Ooie .

OTHER PUBLICATIONS

3M brochure, p. 2, 3M High Speed Facsimile.  
NEC brochure, System III-T.

Primary Examiner—Bruce W. Dunkins  
Assistant Examiner—Theodore M. Shooman  
Attorney, Agent, or Firm—Oblon, Fisher, Spivak,  
McClelland & Maier

[57] CLAIM

The ornamental design for image scanner, as shown,  
and described.

DESCRIPTION

FIG. 1 is a front and top right perspective view of an  
image scanner showing my new design;  
FIG. 2 is a top plan view thereof,  
FIG. 3 is a front elevational view thereof;  
FIG. 4 is a right side elevational view thereof;  
FIG. 5 is a left side elevational view thereof;  
FIG. 6 is a rear elevational view thereof; and  
FIG. 7 is a bottom plan view thereof.

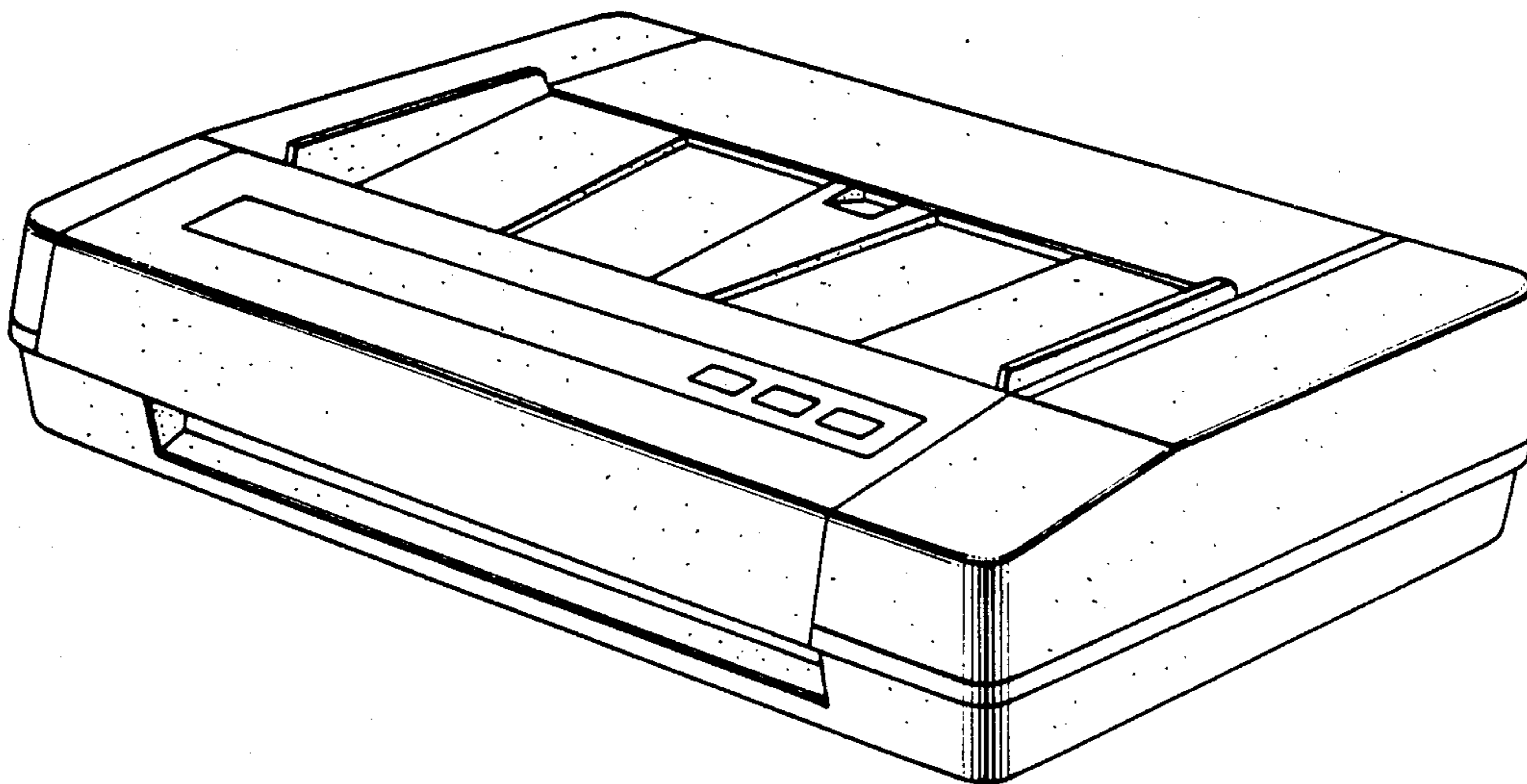


FIG. 1

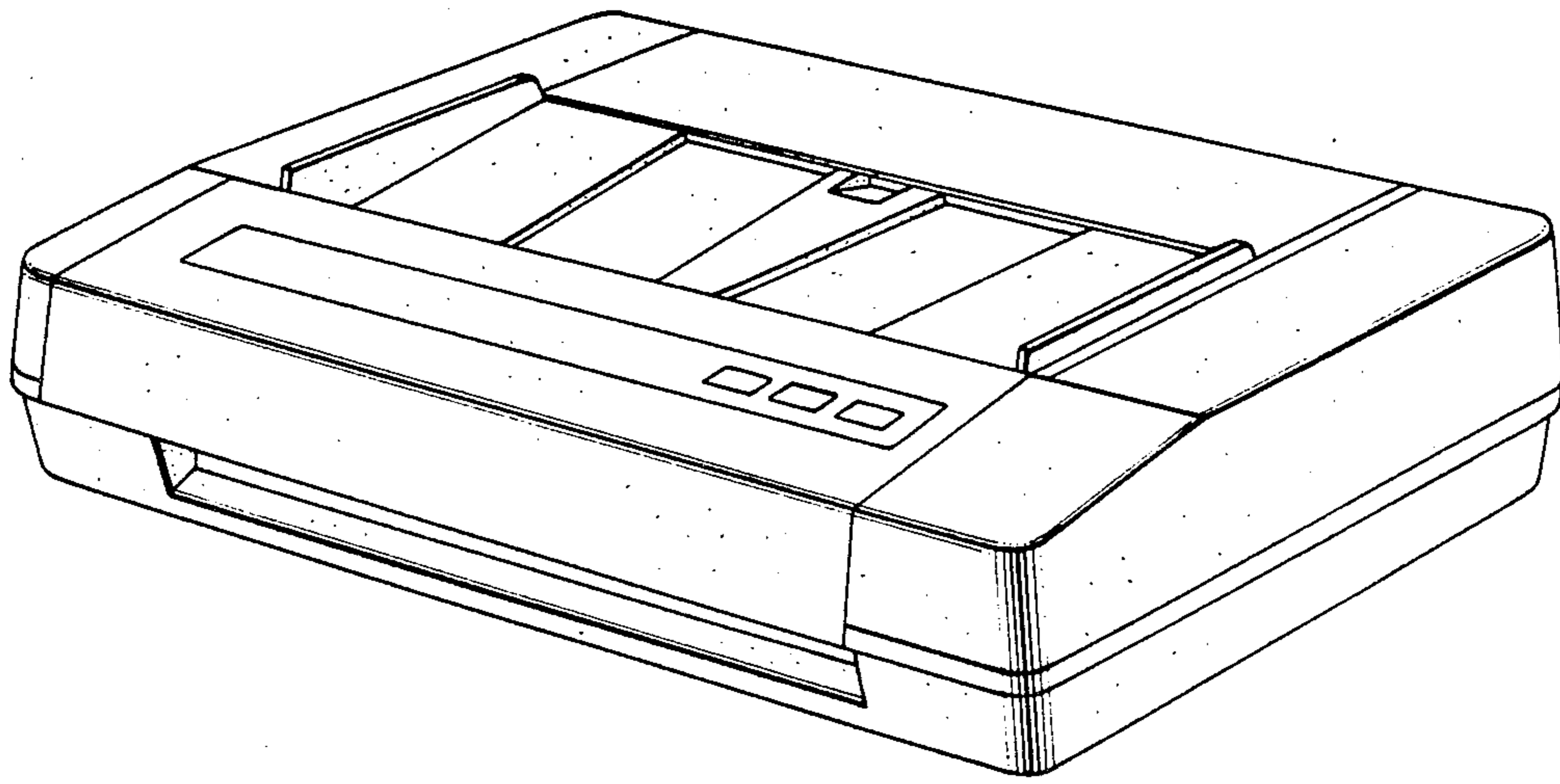


FIG. 2

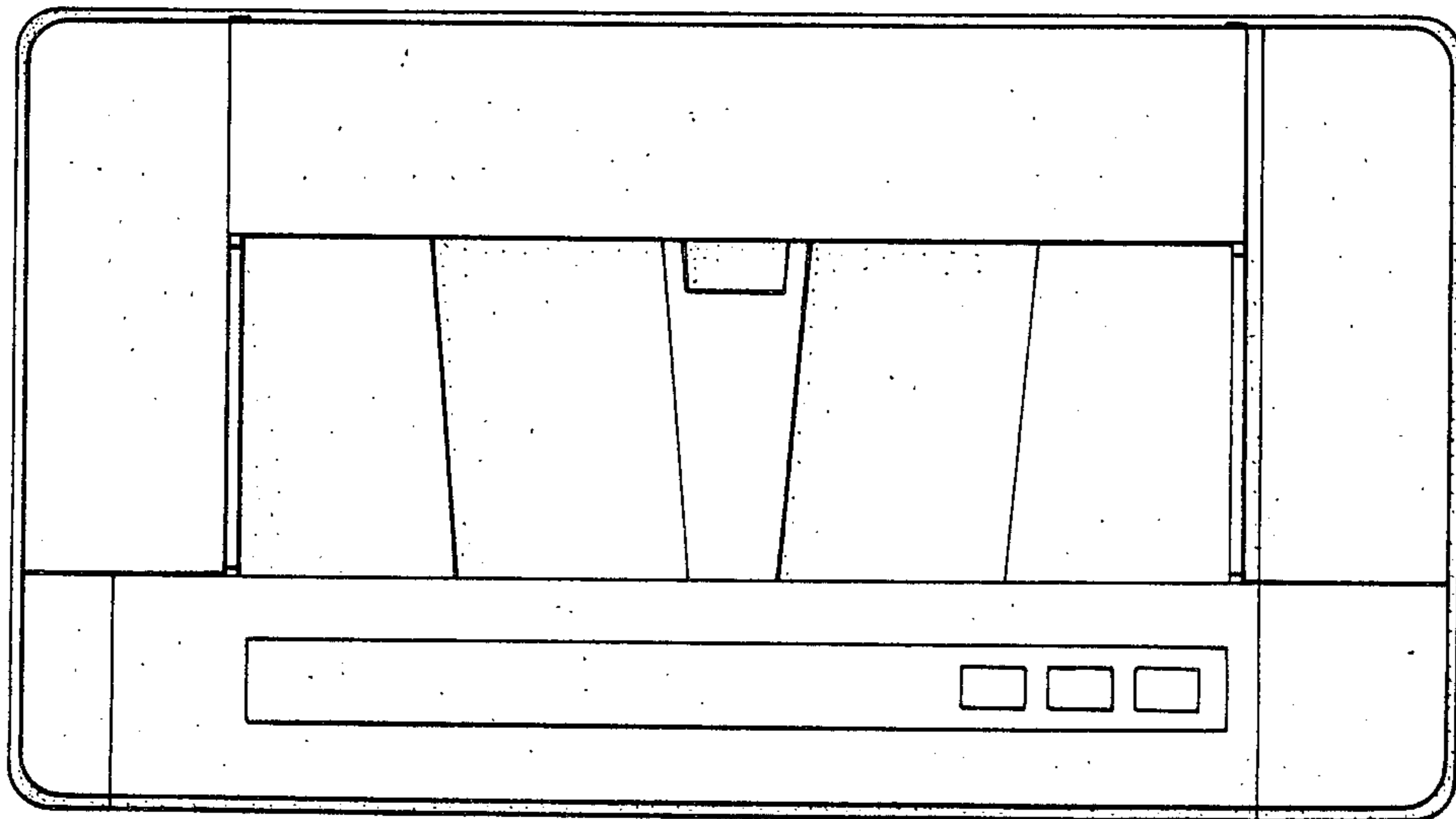


FIG. 3

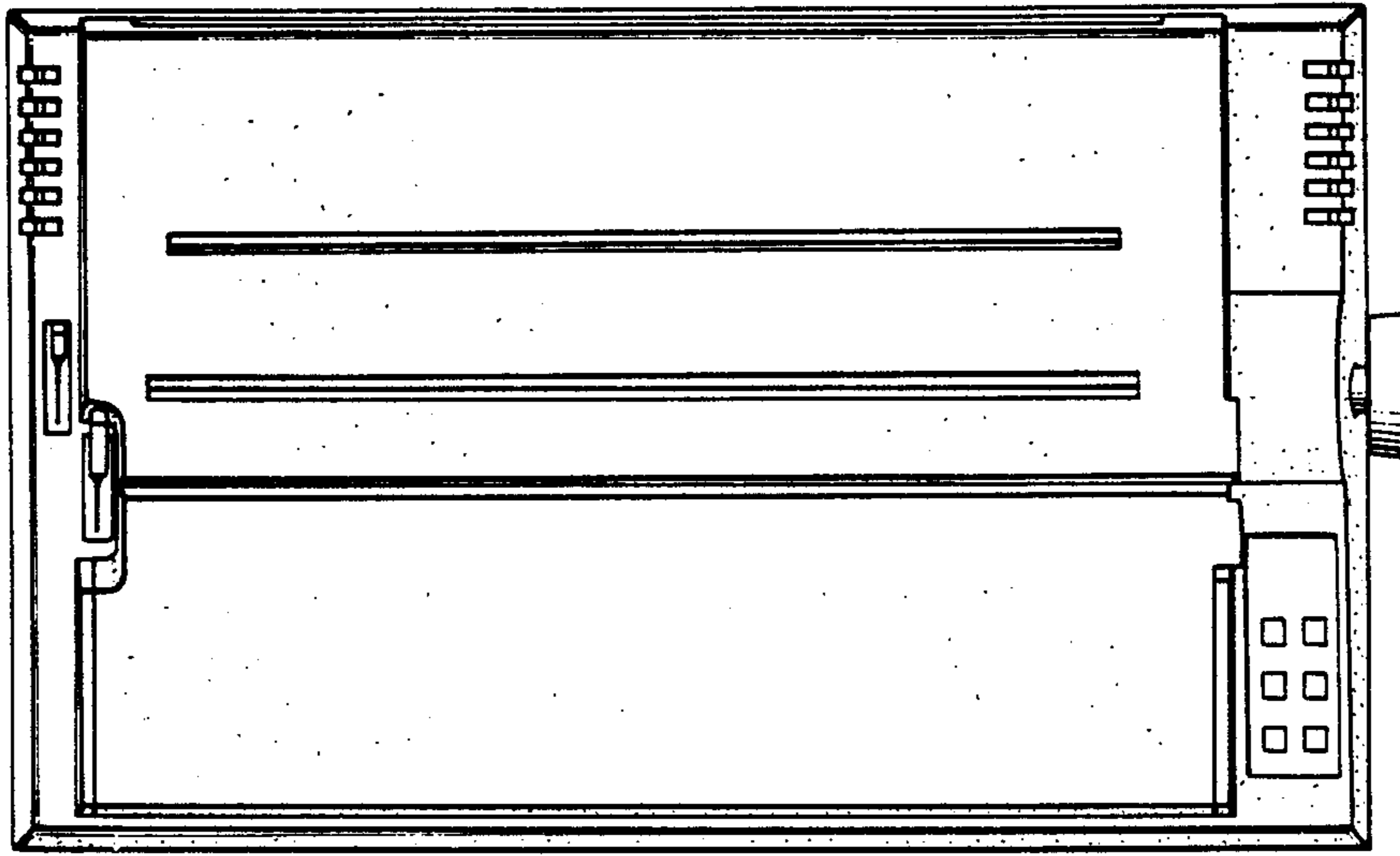


FIG. 4

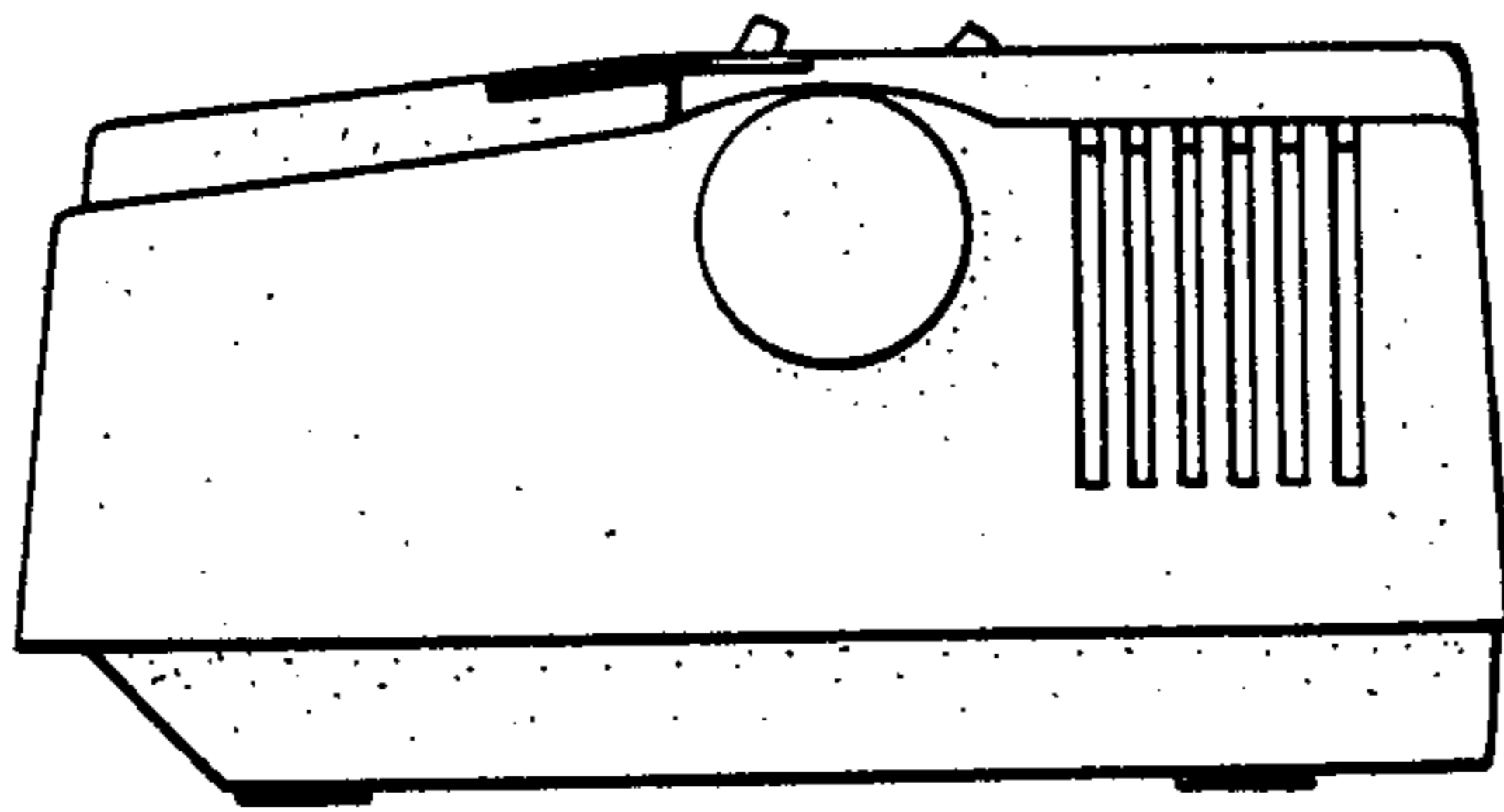


FIG. 5

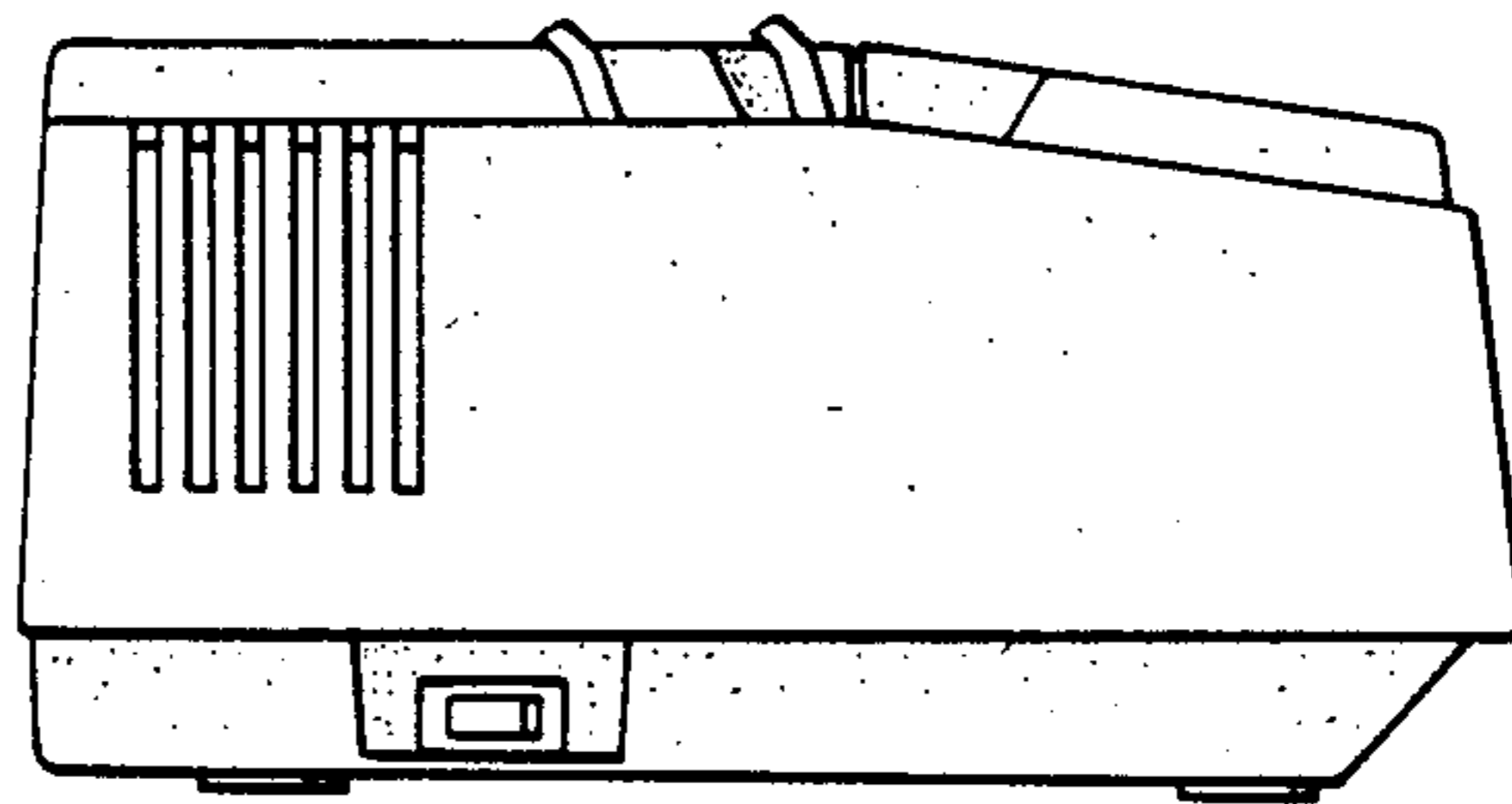


FIG. 6

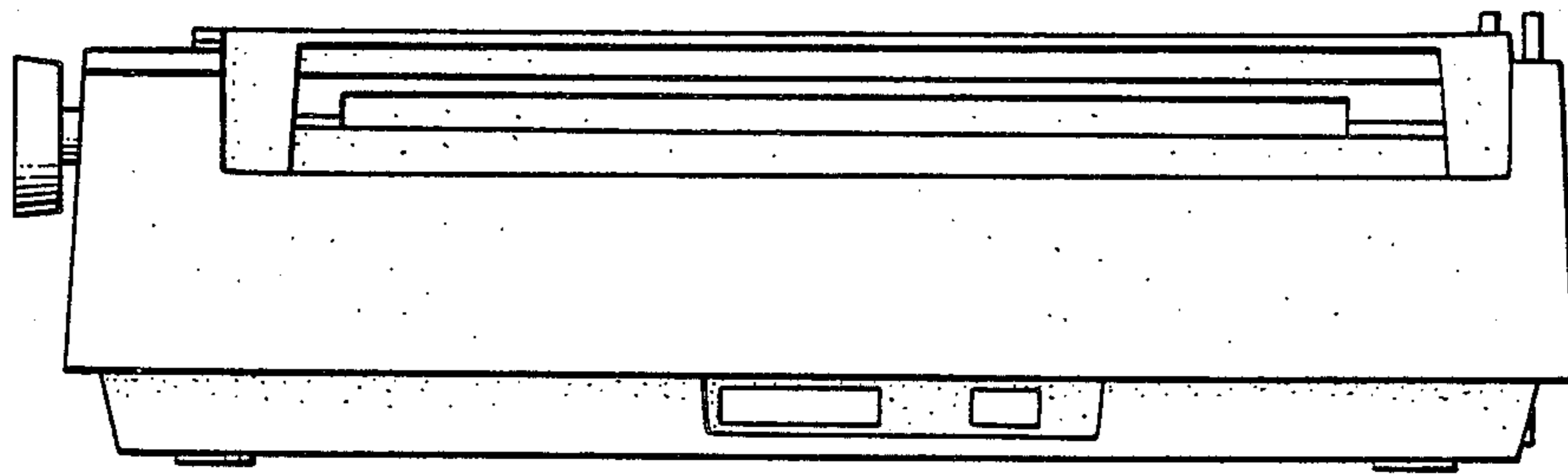


FIG. 7

