

[54] BATTERY PACK FOR A PORTABLE DEFIBRILLATOR

[75] Inventors: Dennis M. Lanci, Redmond; Mike M. Paull, Seattle, both of Wash.

[73] Assignee: Physio-Control Corporation, Redmond, Wash.

[**] Term: 14 Years

[21] Appl. No.: 724,597

[22] Filed: Apr. 18, 1985

[52] U.S. Cl. D13/5

[58] Field of Search D13/4, 5, 8, 11; D24/17; 128/419 R, 419 PS, 419 D, 422; 224/902; 294/903; 302/2-5, 48; 429/91-92, 99-100, 151, 163, 175-177, 186; 336/90, 92; 307/150

[56] References Cited

U.S. PATENT DOCUMENTS

- D. 207,586 5/1967 Rakocy D13/8
- D. 244,154 4/1977 Smith et al. D24/23
- D. 244,155 4/1977 Smith et al. D24/17
- D. 249,064 8/1978 Smith et al. D24/17

- D. 253,608 12/1979 Smith et al. D24/8
- D. 253,609 12/1979 Smith et al. D24/17
- D. 253,610 12/1979 Smith et al. D24/17
- D. 259,659 6/1981 Sears D24/17
- D. 269,810 7/1983 Mace et al. D24/17
- D. 280,317 8/1985 Boyd et al. D13/5
- 4,096,856 6/1978 Smith et al. 128/4.19 D
- 4,097,113 6/1976 McKelvy 339/256 R

Primary Examiner—Wallace R. Burke
Assistant Examiner—Ruth Takemoto
Attorney, Agent, or Firm—Christensen, O'Connor, Johnson & Kindness

[57] CLAIM

The ornamental design for a battery pack for a portable defibrillator, as shown and described.

DESCRIPTION

FIG. 1 is a front perspective view of a battery pack for a portable defibrillation showing my new design; FIG. 2 is a front elevational view thereof; FIG. 3 is a top plan view thereof; FIG. 4 is a left side elevational view thereof; FIG. 5 is a right side elevational view thereof; FIG. 6 is a rear elevational view thereof; and, FIG. 7 is a bottom plan view thereof.

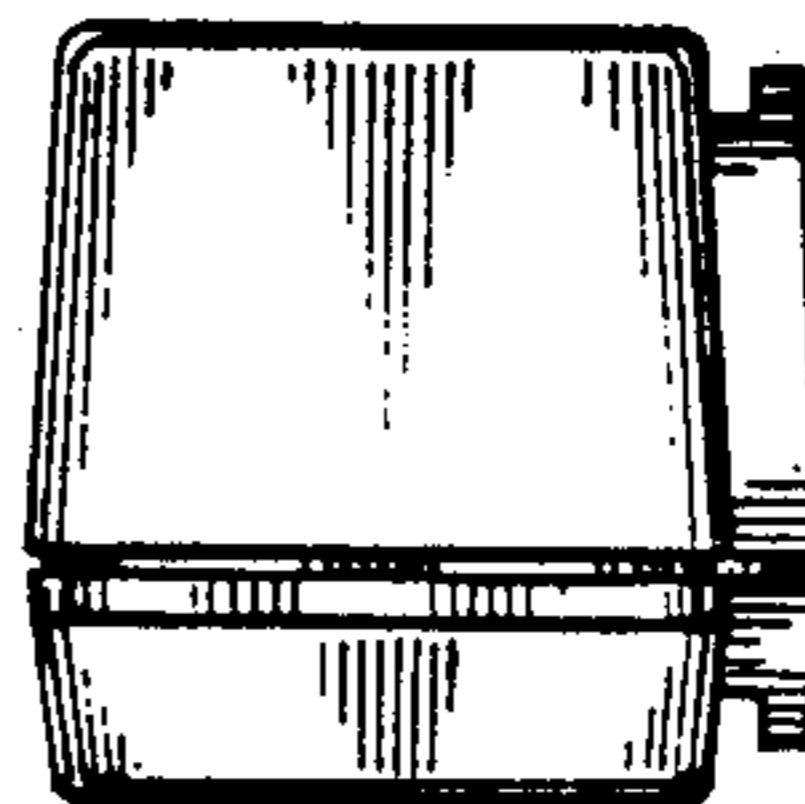
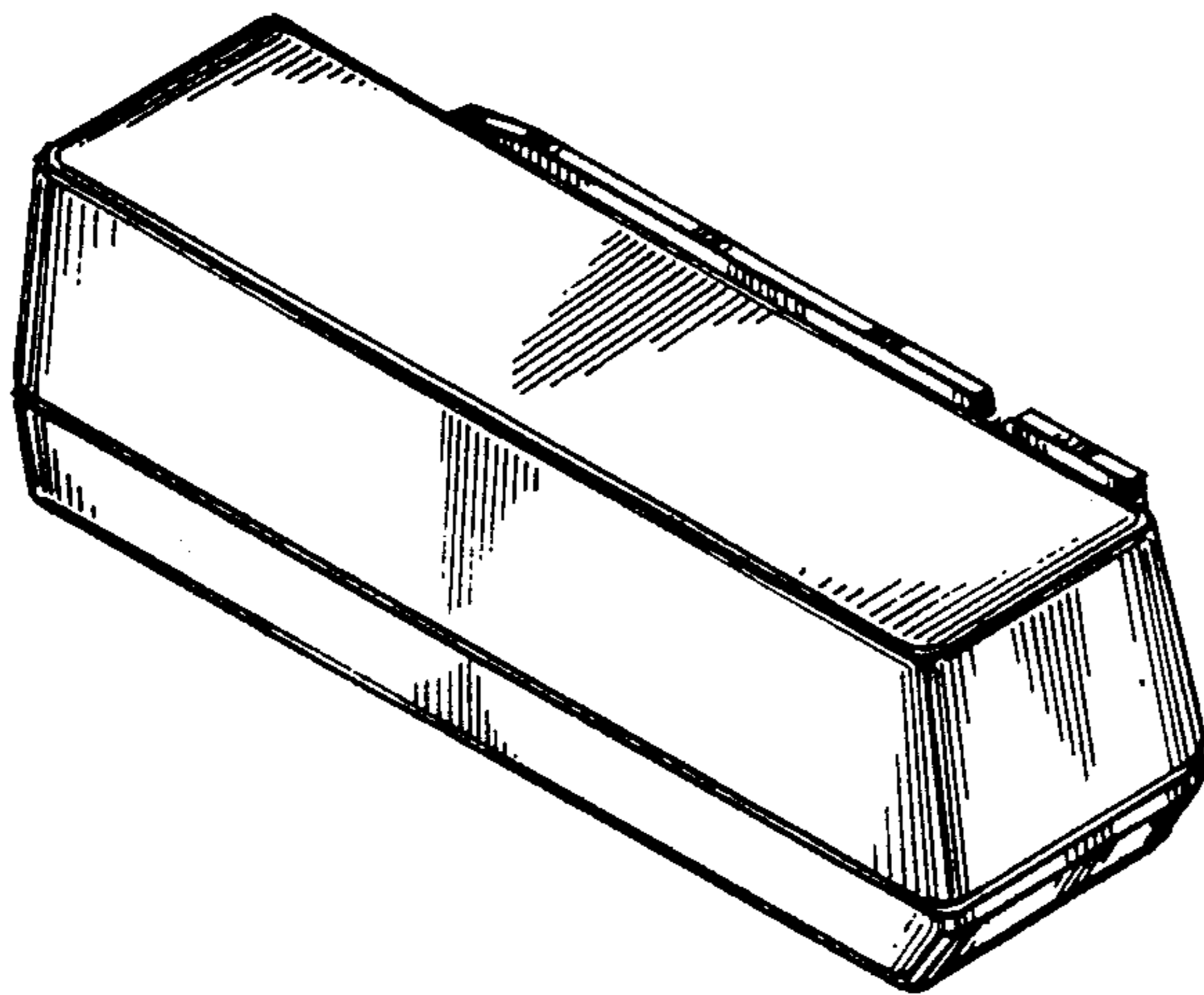


Fig. 1.

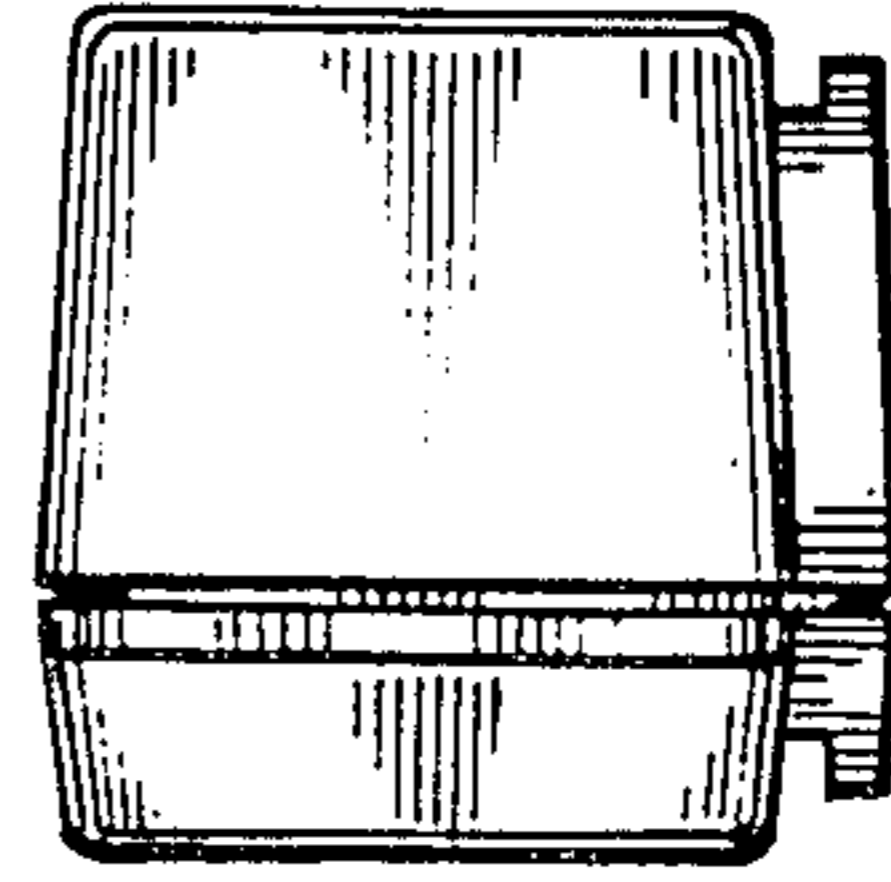
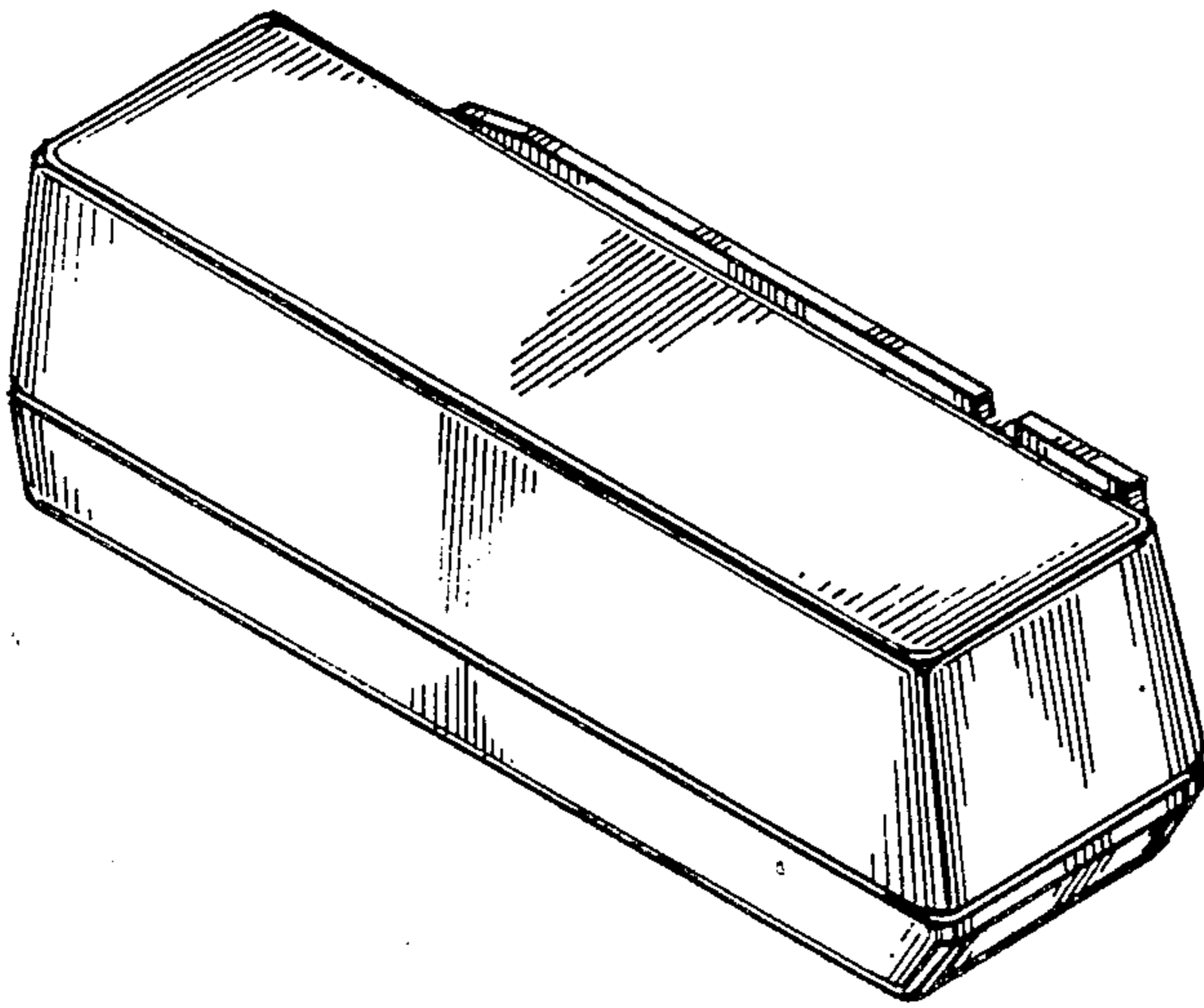


Fig. 2.

Fig. 3.

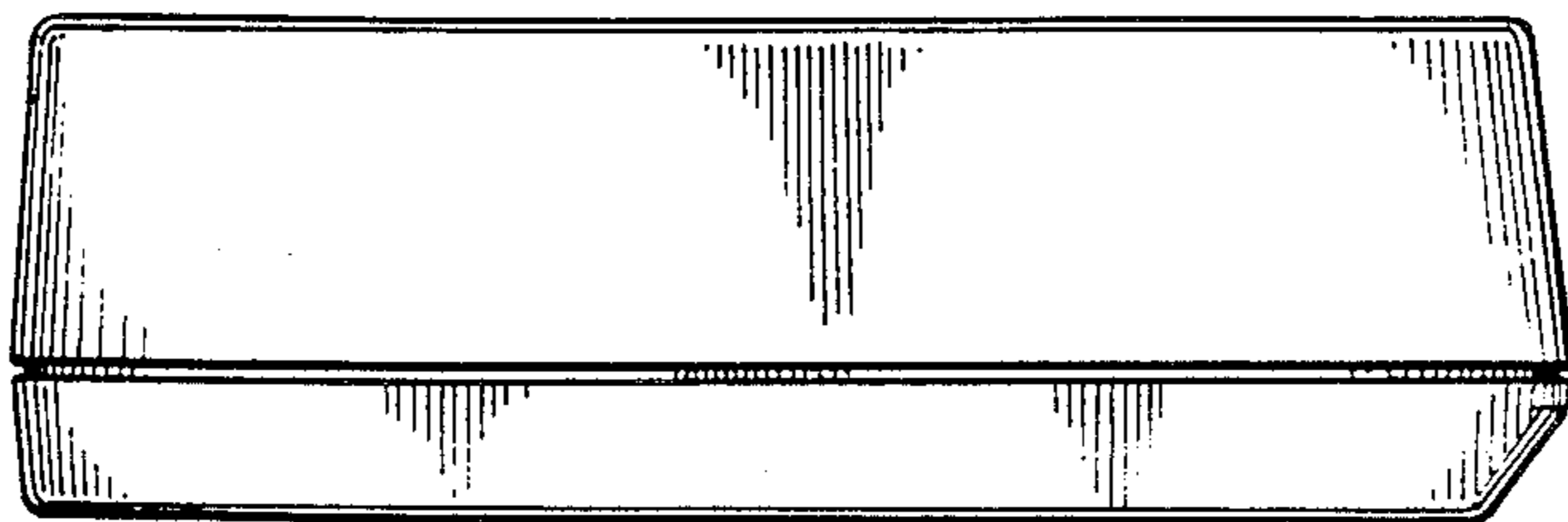
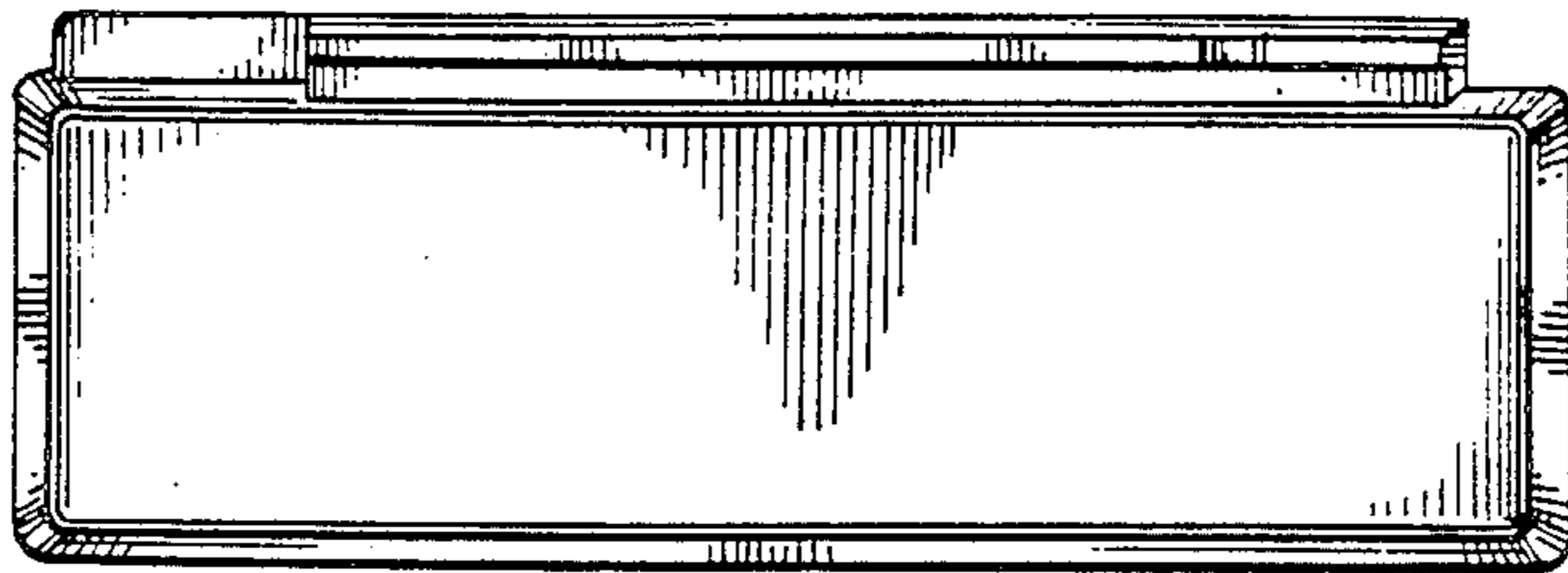


Fig. 4.

Fig. 5.

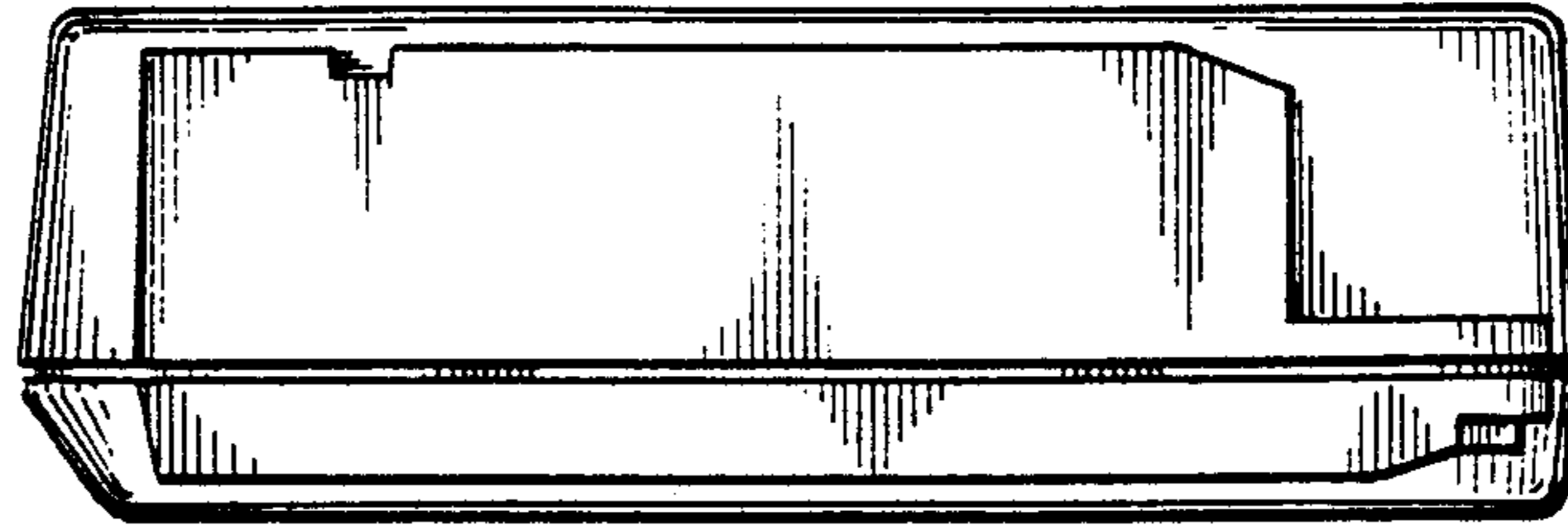


Fig. 6.

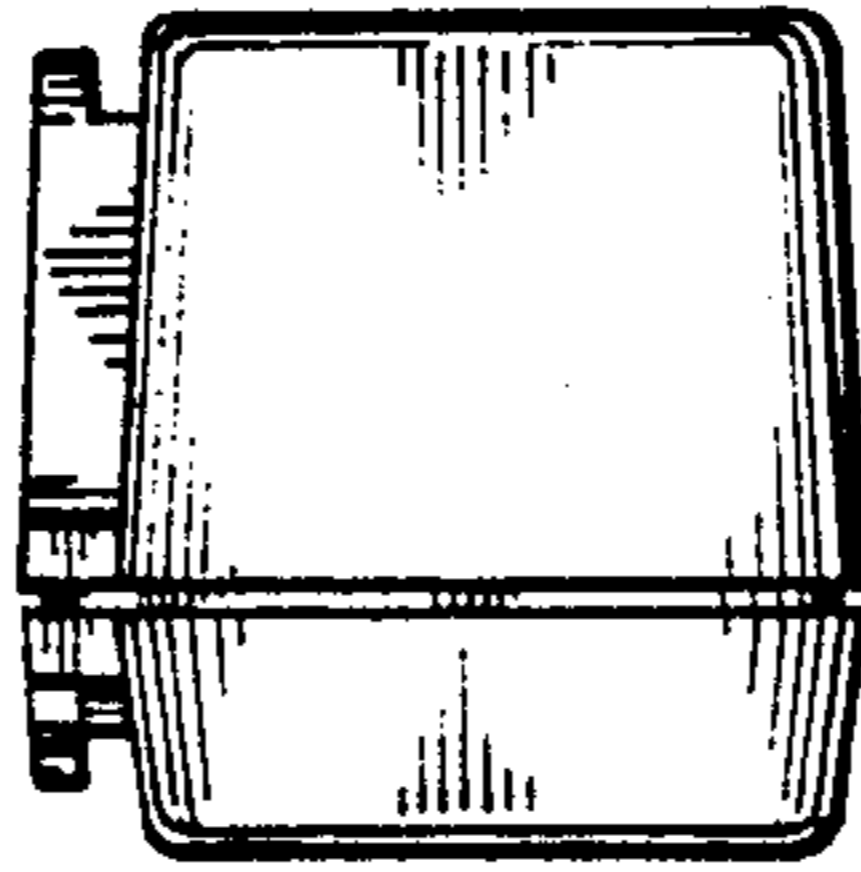


Fig. 7.

