

# United States Patent [19]

Nilsson

[11] Patent Number: Des. 295,732

[45] Date of Patent: \*\* May 17, 1988

[54] SULKY

[75] Inventor: Sune Nilsson, Falkenberg, Sweden

[73] Assignee: Bröderna Holmbergs Fabriks AB,  
Anderstorp, Sweden

[\*\*] Term: 14 Years

[21] Appl. No.: 756,595

[22] Filed: Jul. 19, 1985

[30] Foreign Application Priority Data

Feb. 8, 1985 [SE] Sweden ..... 85-0309

[52] U.S. Cl. .... D12/19; D34/17

[58] Field of Search ..... D34/24, 17, 26;  
280/651, 659, 47.37 R; D12/19, 20, 17, 18

[56] References Cited

### U.S. PATENT DOCUMENTS

D. 209,819 1/1968 Lanagan ..... D34/17  
D. 264,699 6/1982 Watkins ..... D34/24  
D. 284,130 6/1986 Peruski et al. .... D34/24

2,718,404 9/1955 Burnskey ..... 280/659  
4,109,926 8/1978 Lane ..... 280/651  
4,401,319 8/1983 Kazmark ..... 280/47.37 R

### FOREIGN PATENT DOCUMENTS

68436 1/1983 European Pat. Off. .... 280/63  
246158 10/1947 Switzerland ..... 280/63

Primary Examiner—James M. Gandy  
Assistant Examiner—Kay H. Chin  
Attorney, Agent, or Firm—McAulay, Fields, Fisher,  
Goldstein & Nissen

[57] CLAIM

The ornamental design for a sulky, as shown.

### DESCRIPTION

FIG. 1 is a perspective view of a sulky showing my new design;

FIG. 2 is a side elevational view thereof;

FIG. 3 is a top plan view thereof;

FIG. 4 is a rear elevational view thereof;

FIG. 5 is a front elevational view thereof.



FIG. 1

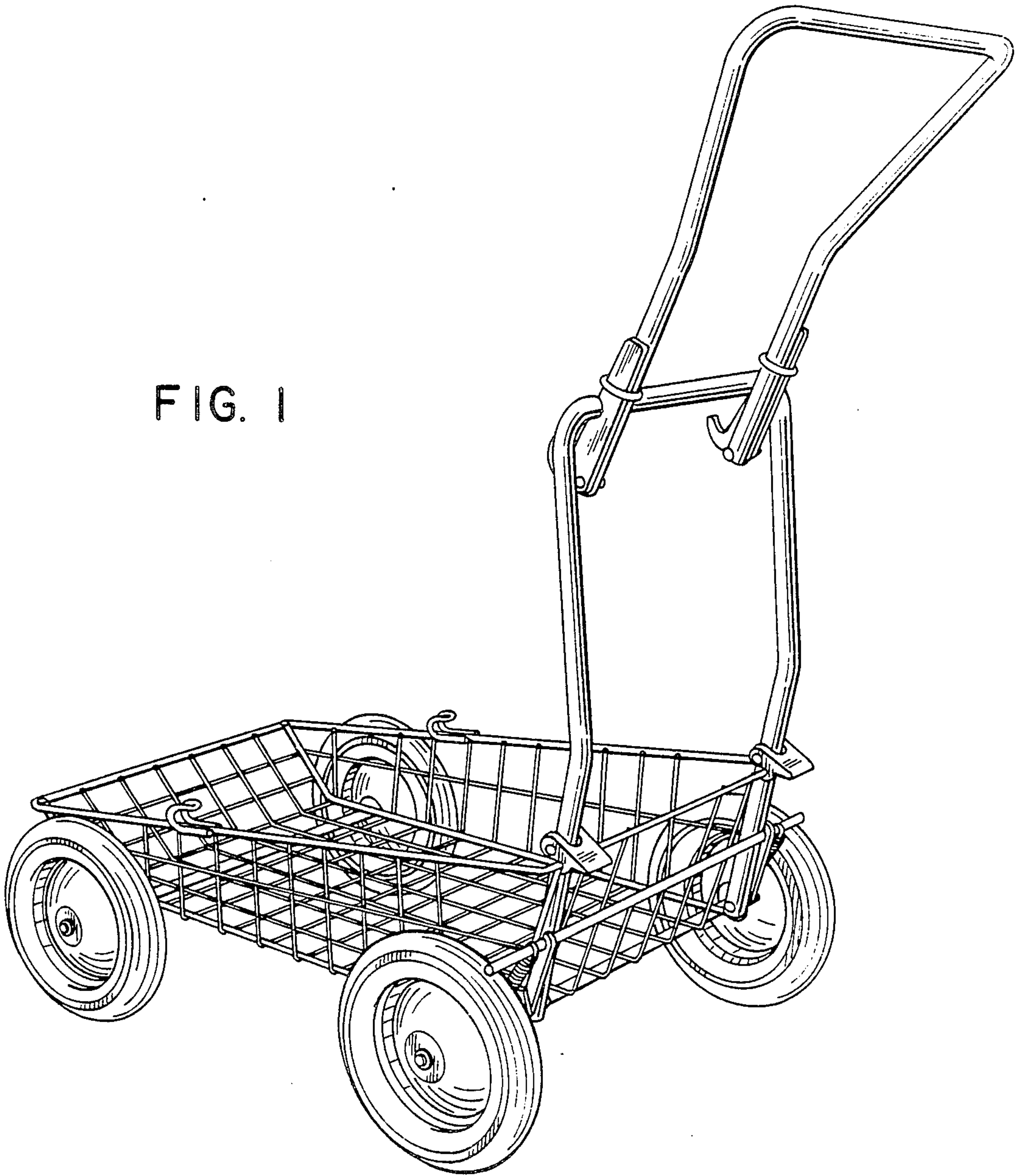


FIG. 2

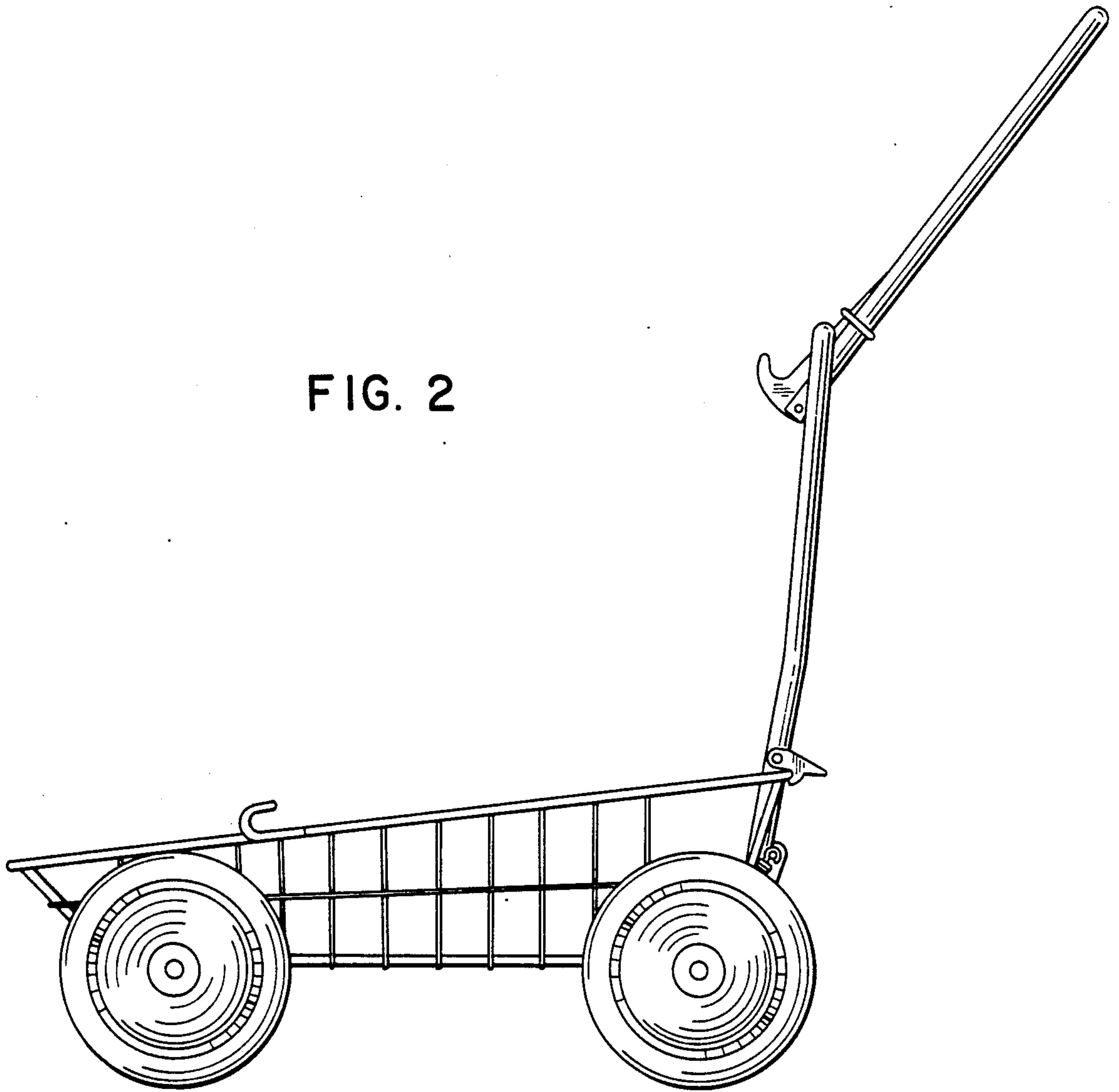


FIG. 3

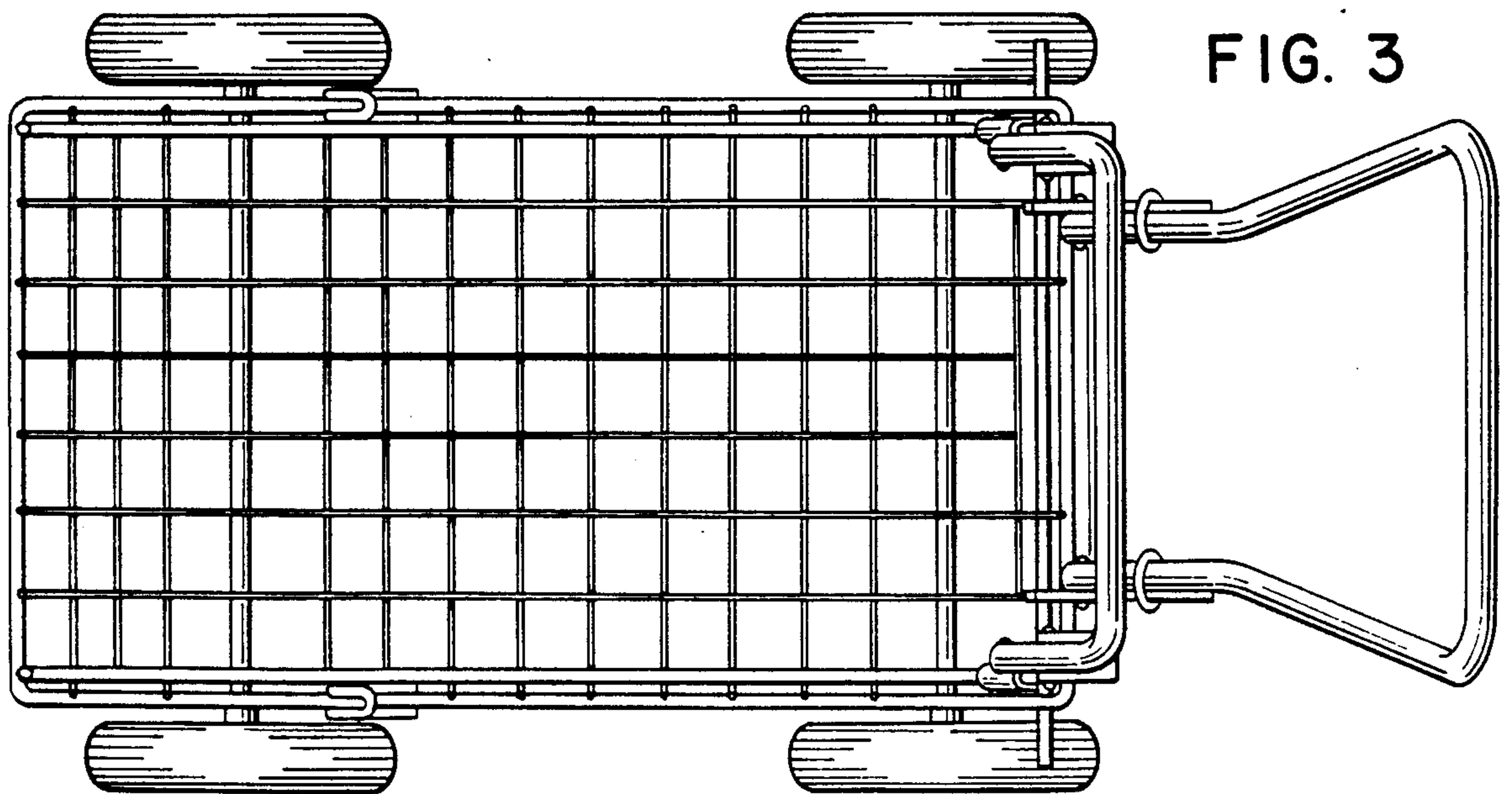


FIG. 4

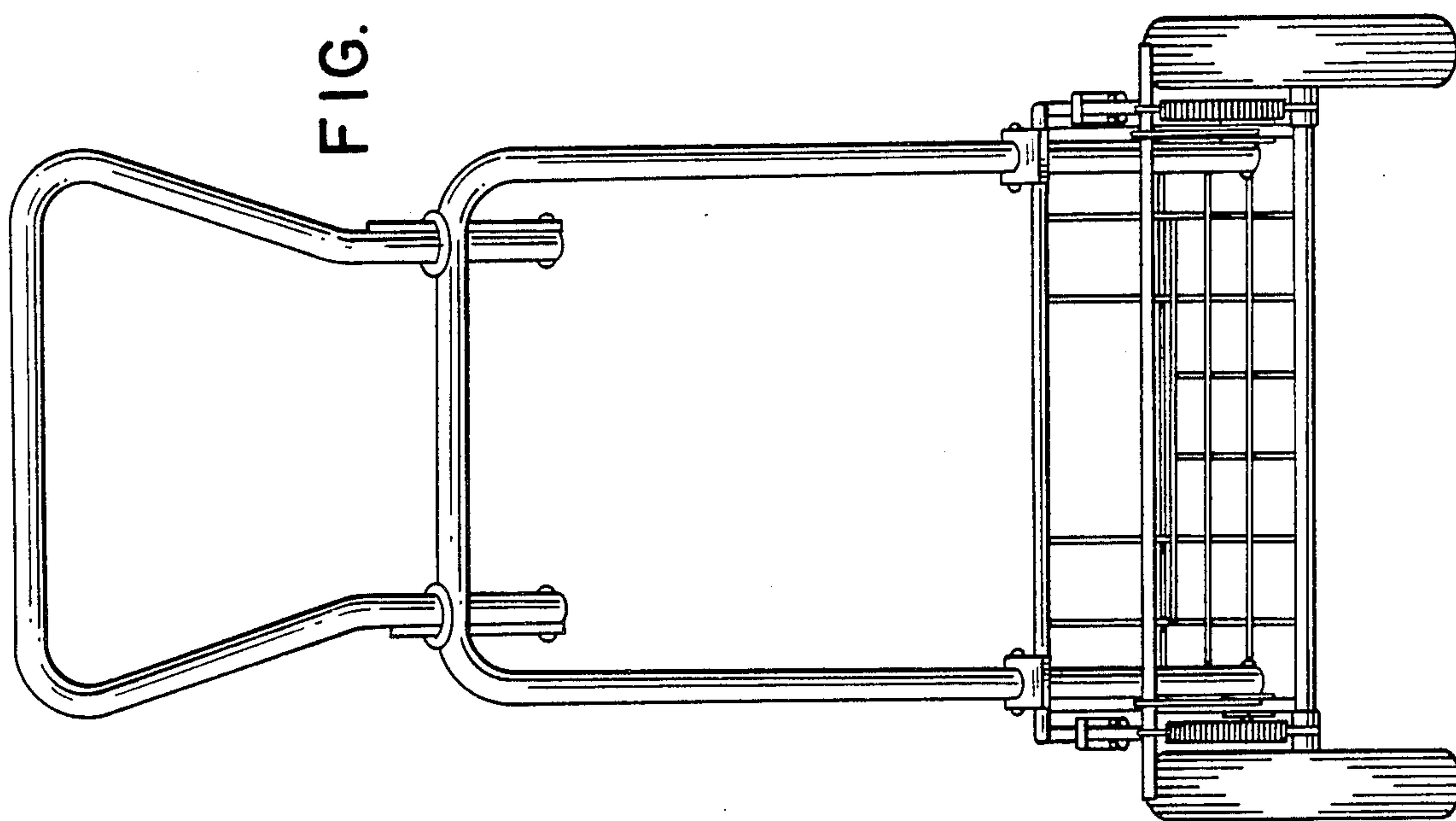


FIG. 5

