

[54] WINDOW OPENER

[76] Inventors: Martin L. Todd, R.R. #1, Box 125f, Cairo, Nebr. 68824; Denzel R. Busick, P.O. Box 790, Grand Island, Nebr. 68802

[**] Term: 14 Years

[21] Appl. No.: 701,757

[22] Filed: Feb. 14, 1985

[52] U.S. Cl. D8/400

[58] Field of Search D8/400; 49/324, 325, 49/330, 327

[56] References Cited

U.S. PATENT DOCUMENTS

D. 33,956	1/1901	Kline et al.	D8/354
D. 233,133	10/1974	Burn	D8/400
D. 273,089	3/1984	Cole	D8/400
1,050,073	1/1913	West	49/324
3,114,542	12/1963	Ahlgren	D8/400
4,617,758	10/1986	Vetter	49/324

Primary Examiner—B. J. Bullock

[57] CLAIM

The ornamental design for window opener, substantially as shown and described.

DESCRIPTION

FIG. 1 is a perspective view of a window opener showing our new design in the disengaged position, the broken line showing of the window being for illustrative purposes only;

FIG. 2 is a left side view thereof, the side opposite being substantially a mirror image;

FIG. 3 is a top view thereof;

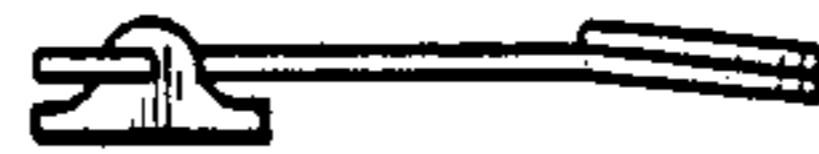
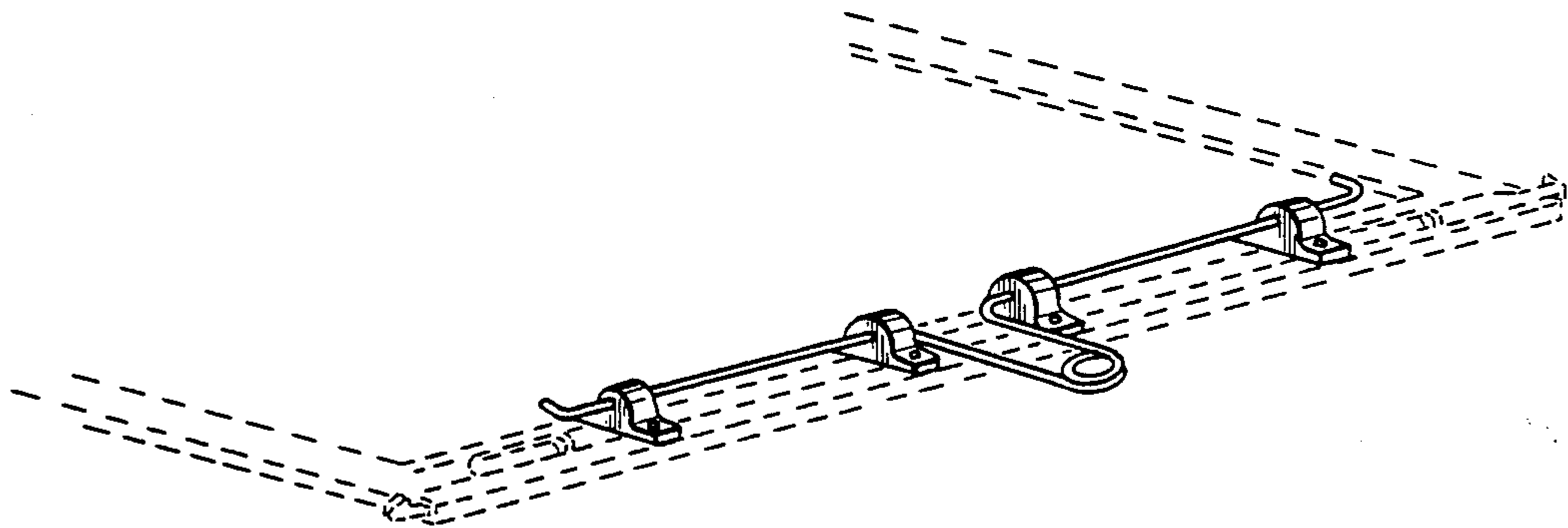
FIG. 4 is a front view thereof;

FIG. 5 is a perspective view of a second embodiment of the design of FIG. 1 in the engaged position; the broken line showing of the window being for illustrative purposes only;

FIG. 6 is a left-side view of FIG. 5; the side opposite being substantially a mirror image;

FIG. 7 is a top view of FIG. 5;

FIG. 8 is a front view of FIG. 5.



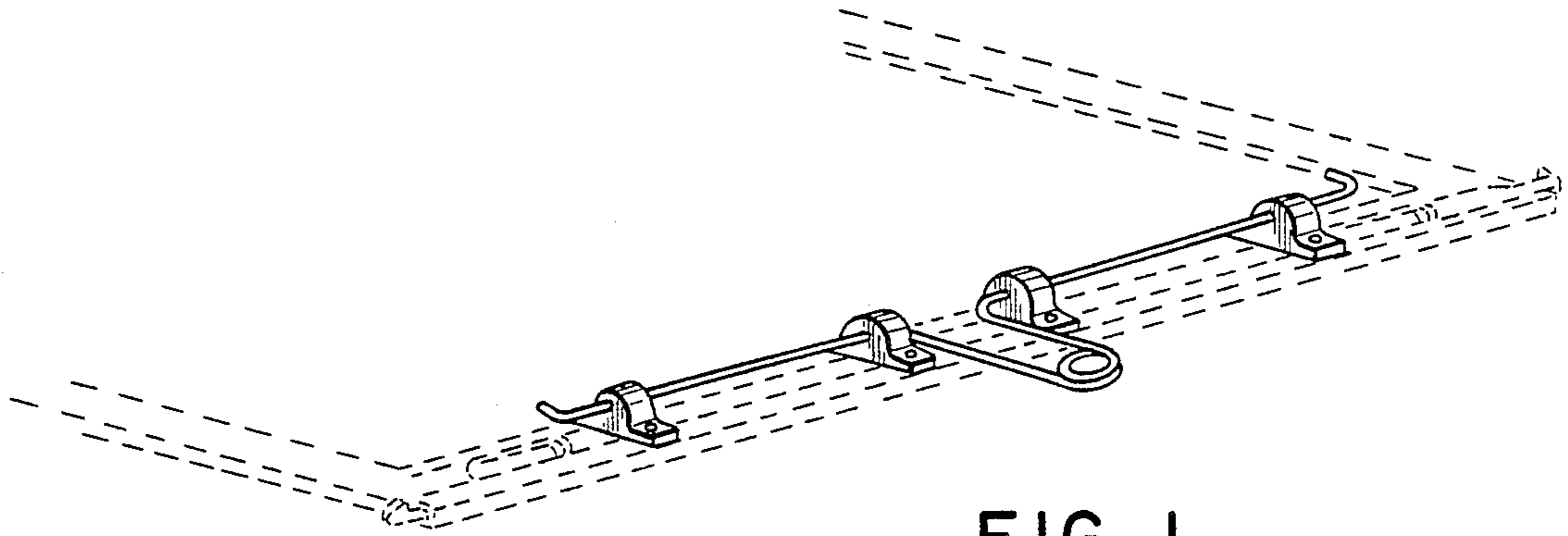


FIG. 1

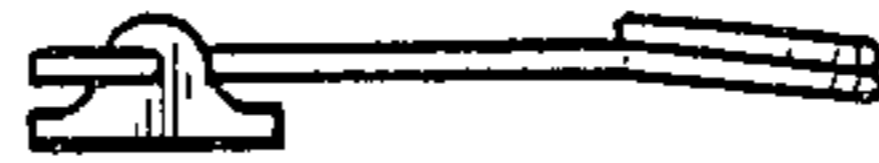


FIG. 2

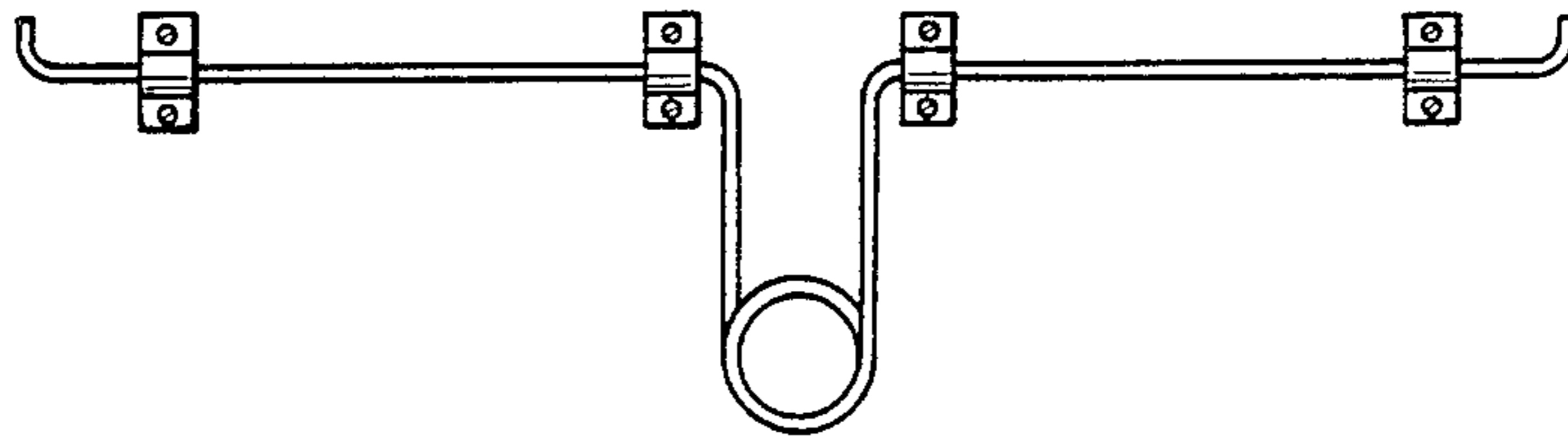


FIG. 3



FIG. 4

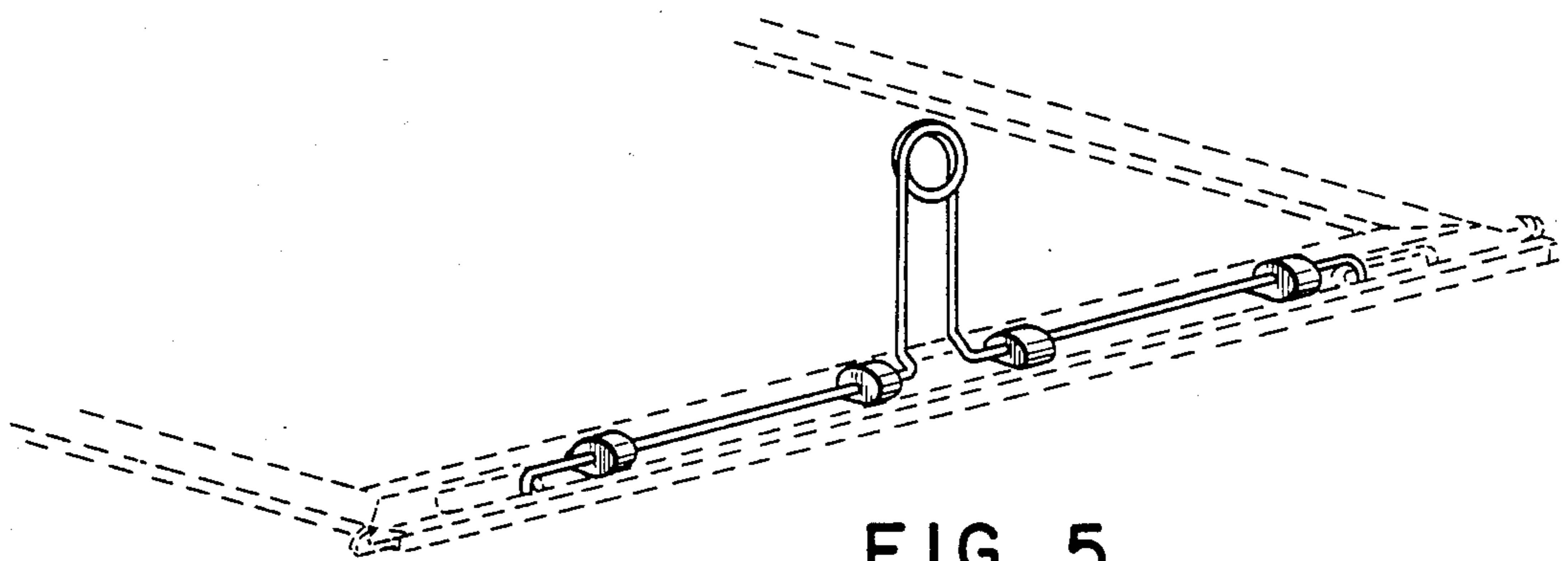


FIG. 5



FIG. 6



FIG. 7

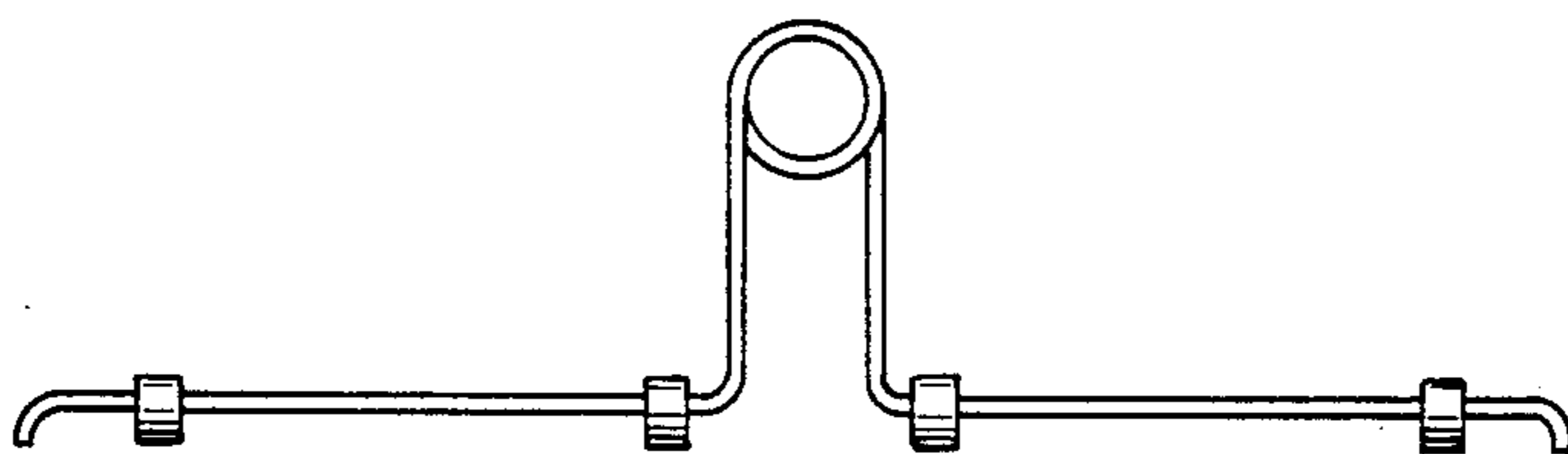


FIG. 8