

[54] RETAINER CLAMP FOR ELONGATED BODIES OR THE LIKE

[75] Inventor: Mitsugu Shioda, Yokohama, Japan

[73] Assignee: Nifco Inc., Yokohama, Japan

[**] Term: 14 Years

[21] Appl. No.: 870,681

[22] Filed: Jun. 4, 1986

[30] Foreign Application Priority Data

Dec. 6, 1985 [JP] Japan 60-50874
 [52] U.S. Cl. D8/396; D8/380
 [58] Field of Search D8/354, 372, 373, 380,
 D8/394, 396, 376; 248/74.2, 74.1, 229, 339, 340,
 68.1, 67.7; 24/564, 530, 538, 339, 336, 335;
 D6/546, 547

[56] References Cited

U.S. PATENT DOCUMENTS

D. 253,457 11/1979 Sandel D8/354 UX
 D. 281,393 11/1985 Karnhag D8/396 X
 3,033,412 5/1962 Fox 24/339 X
 3,584,348 6/1971 Soltysik 248/68.1
 4,286,654 9/1981 Ruhe et al. 248/68.1 X
 4,407,472 10/1983 Beck, Jr. 248/68.1 X

FOREIGN PATENT DOCUMENTS

529514 7/1931 Fed. Rep. of Germany 24/339
 1102882 10/1955 France 24/339

Primary Examiner—Wallace R. Burke
 Assistant Examiner—H. B. Fay, Jr.
 Attorney, Agent, or Firm—Trexler, Bushnell, Giangiorgi & Blackstone, Ltd.

[57] CLAIM

The ornamental design for a retainer clamp for elongated bodies or the like, as shown and described.

DESCRIPTION

FIG. 1 is a top plan view of a retainer clamp for elongated bodies or the like showing my new design; FIGS. 2 and 3 are respectively front and rear elevational views thereof; FIG. 4 is a left side elevational view thereof; FIG. 5 is a cross-sectional view thereof taken along line V—V in FIG. 2; FIG. 6 is a cross-sectional view taken along line VI—VI in FIG. 4; FIG. 7 is a front, top and right side perspective view thereof; FIG. 8 is a front, top and right side perspective view of one unit portion of the retainer clamp, with a second unit portion rotated 90° from its position in FIG. 7; and FIG. 9 is a front, top and right side perspective view of one portion of the retainer clamp shown independently and separately for clarity of illustration.

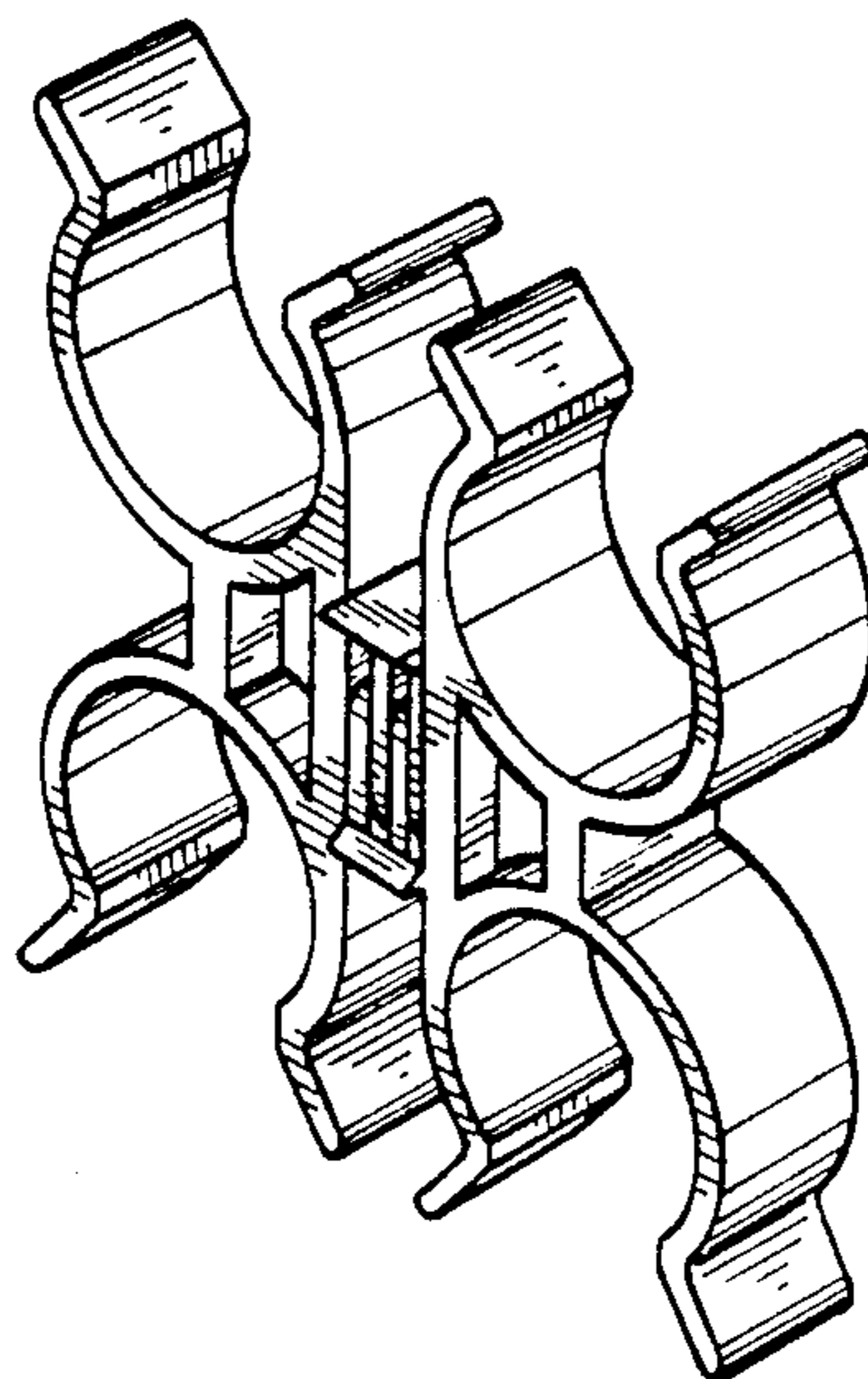


FIG. 1



FIG. 5



FIG. 2

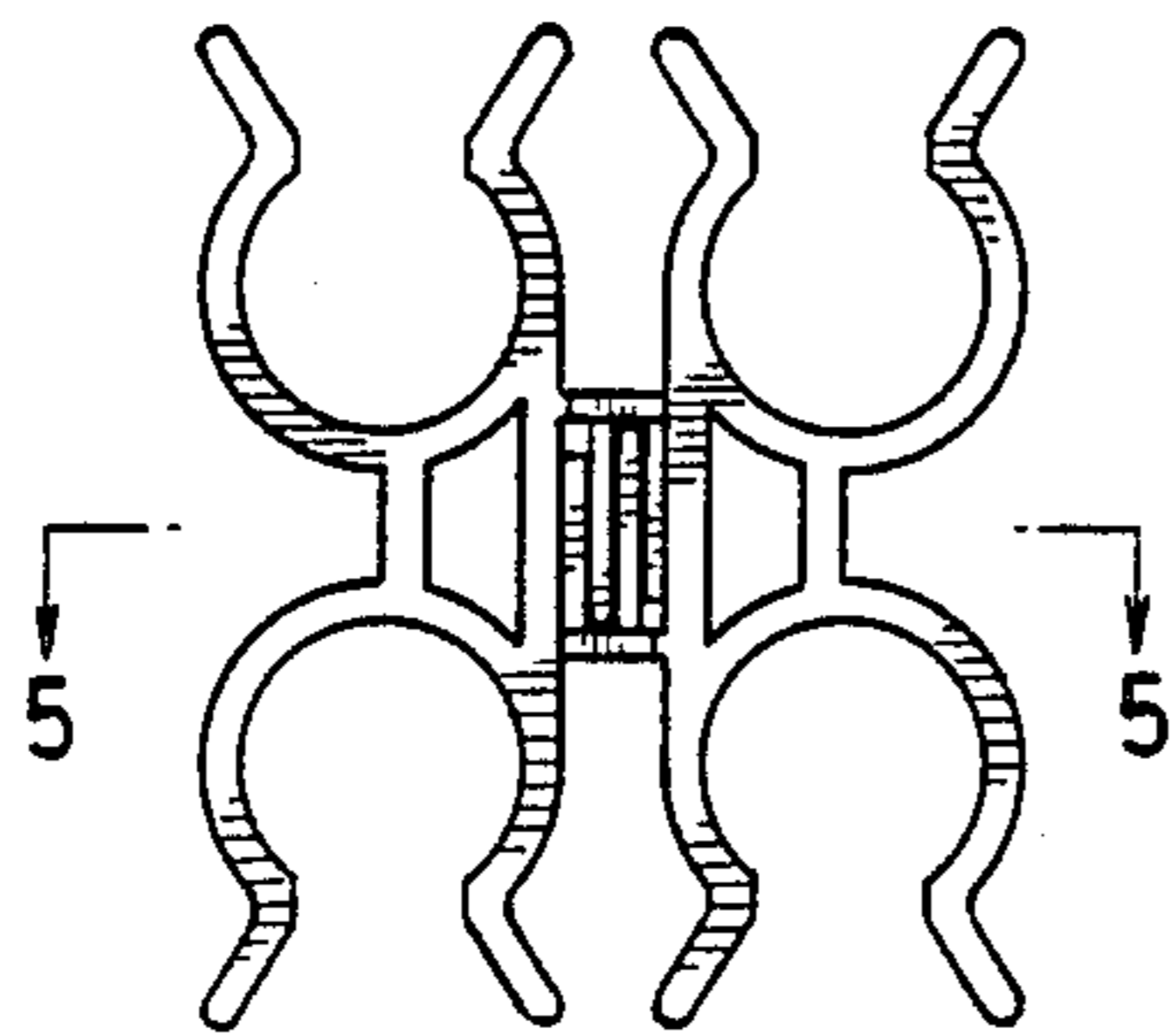


FIG. 3

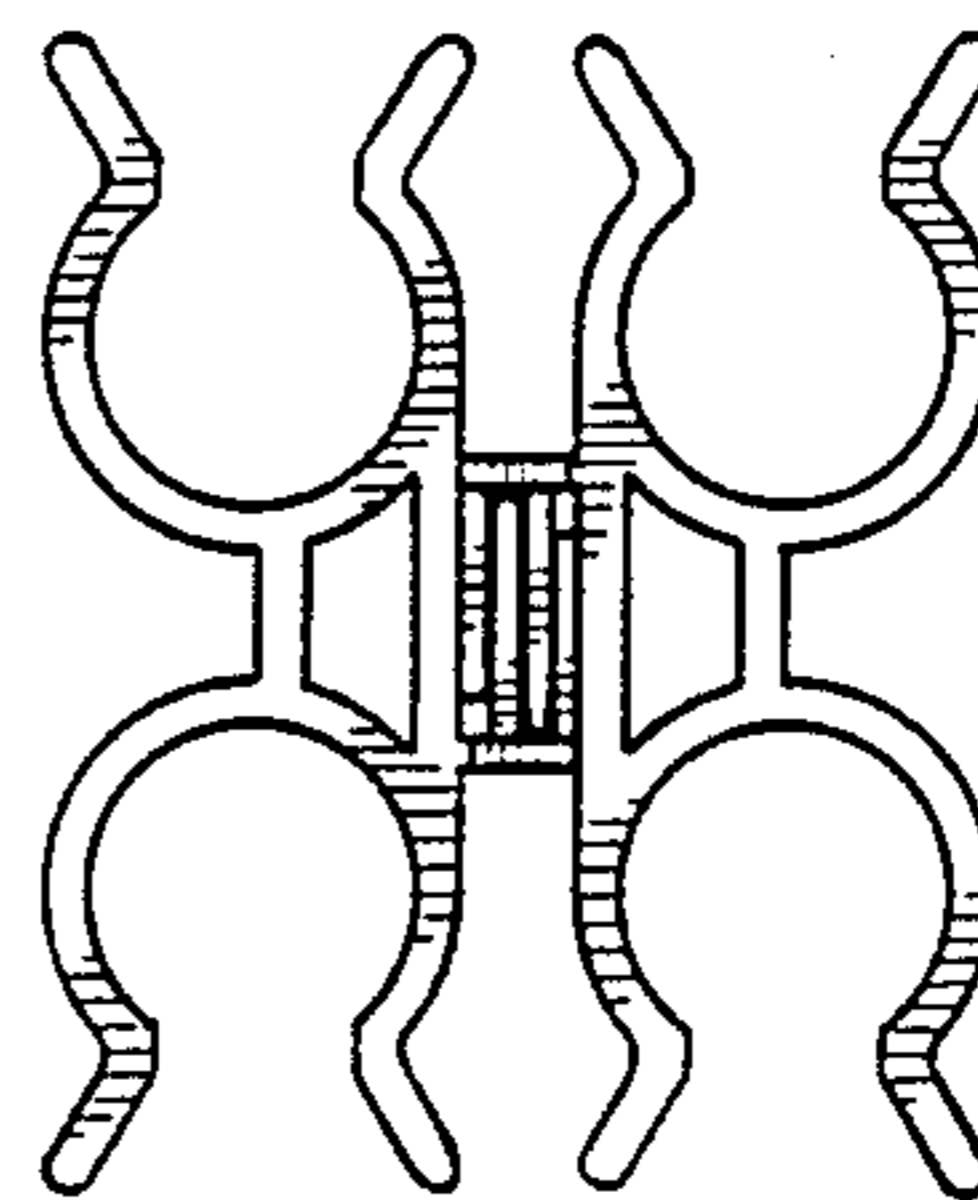


FIG. 4

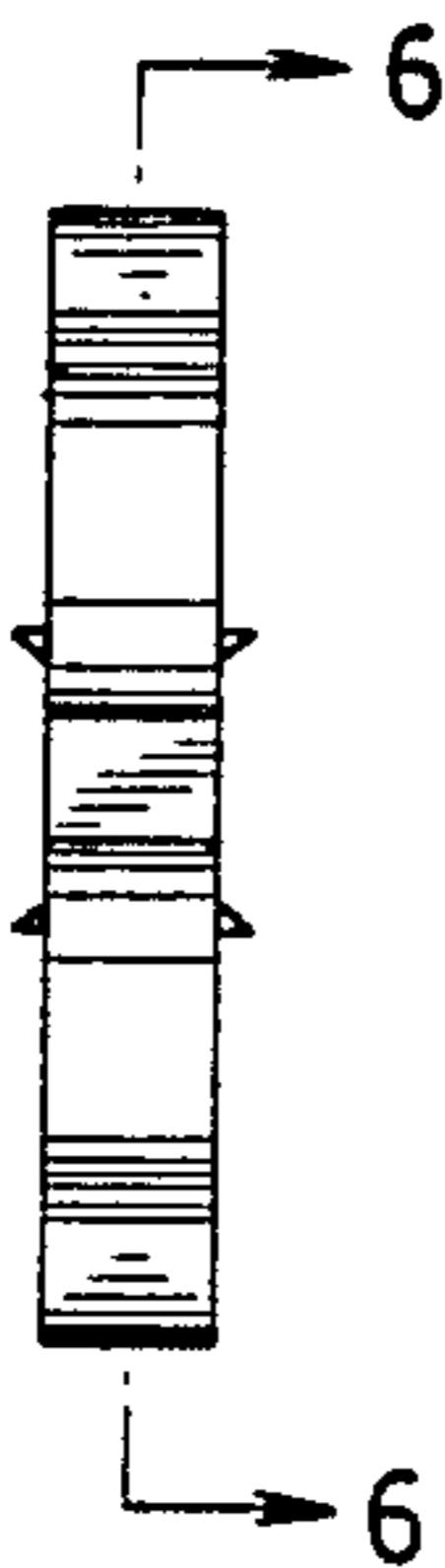


FIG. 6

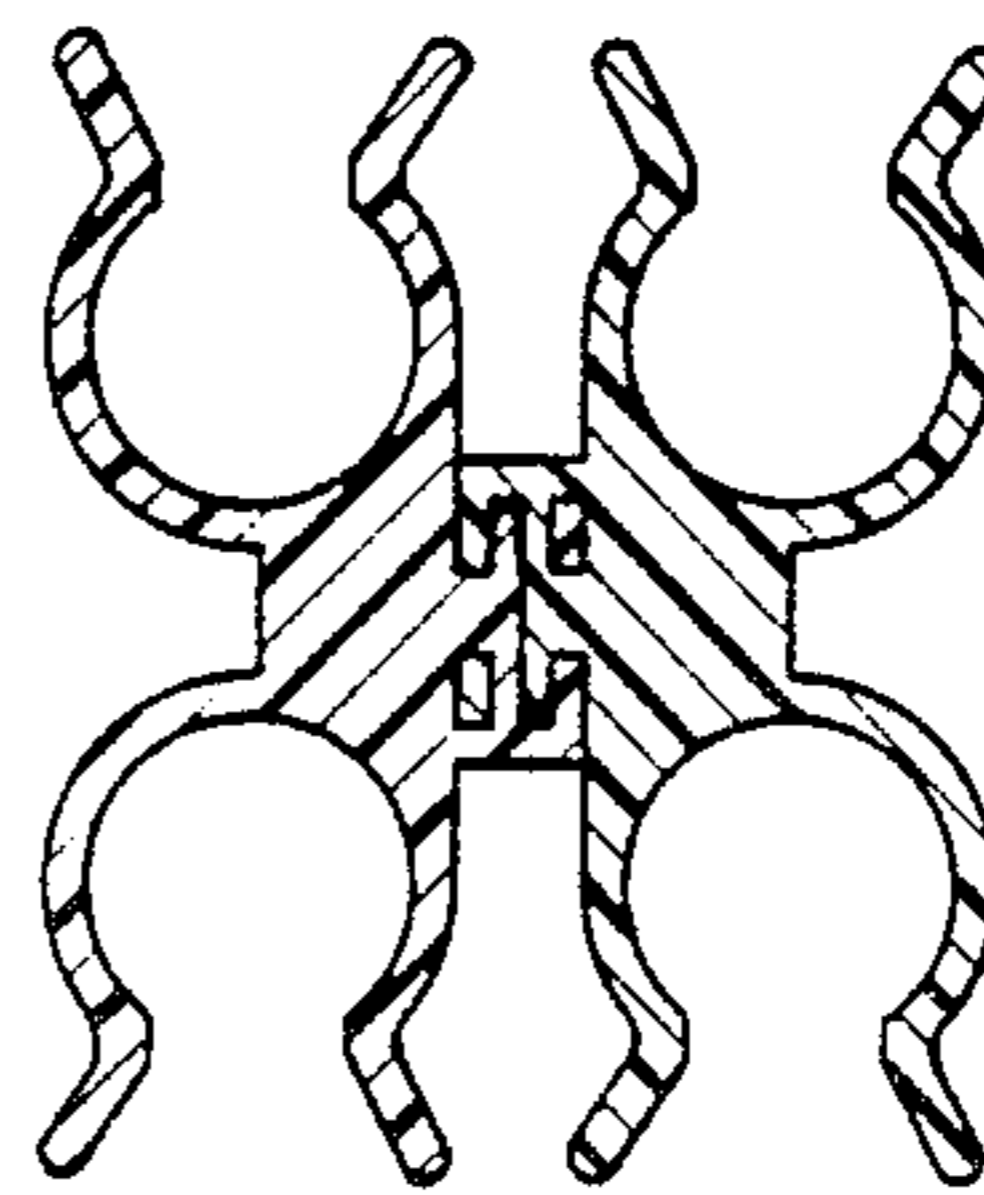


FIG. 7

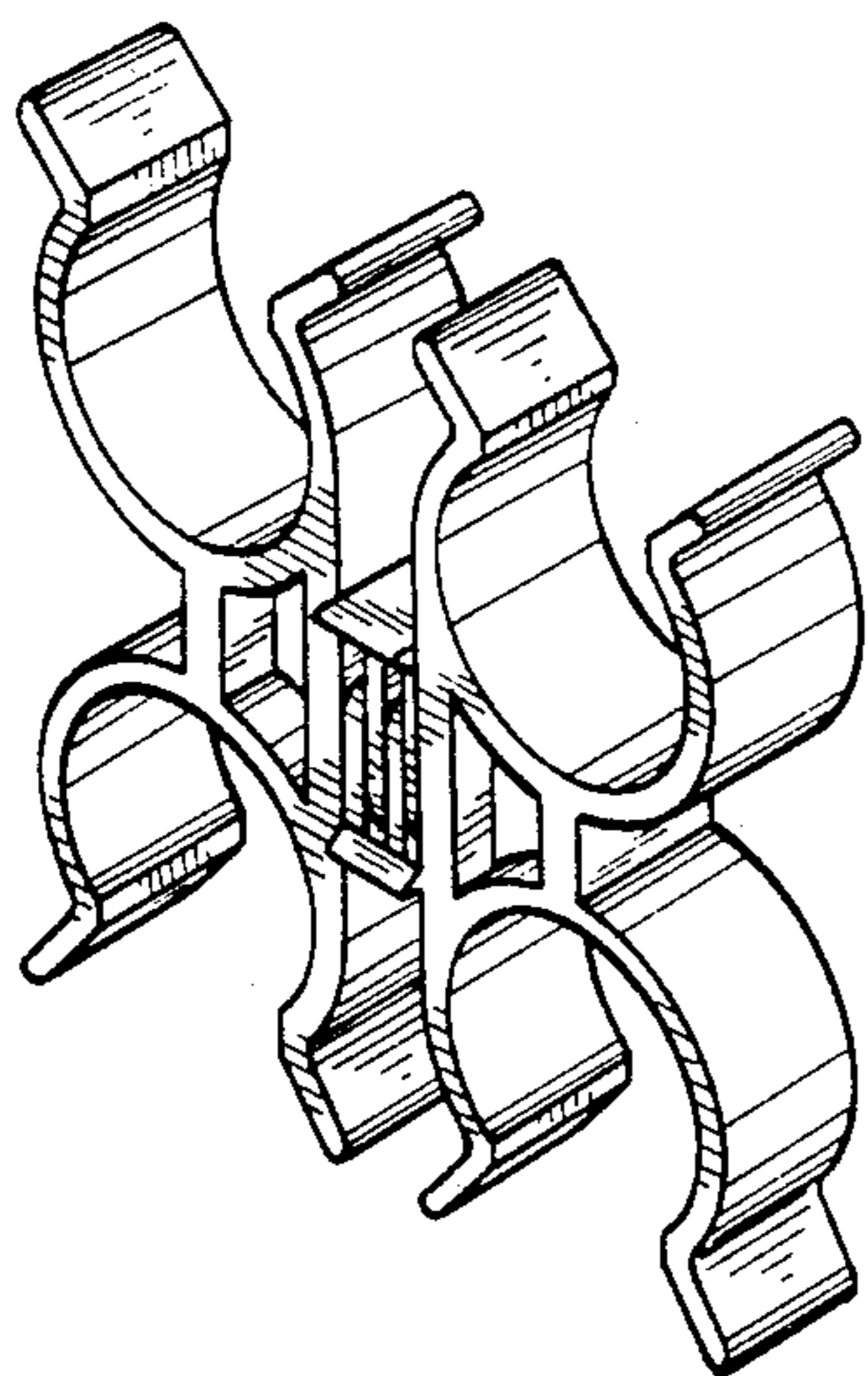


FIG. 9

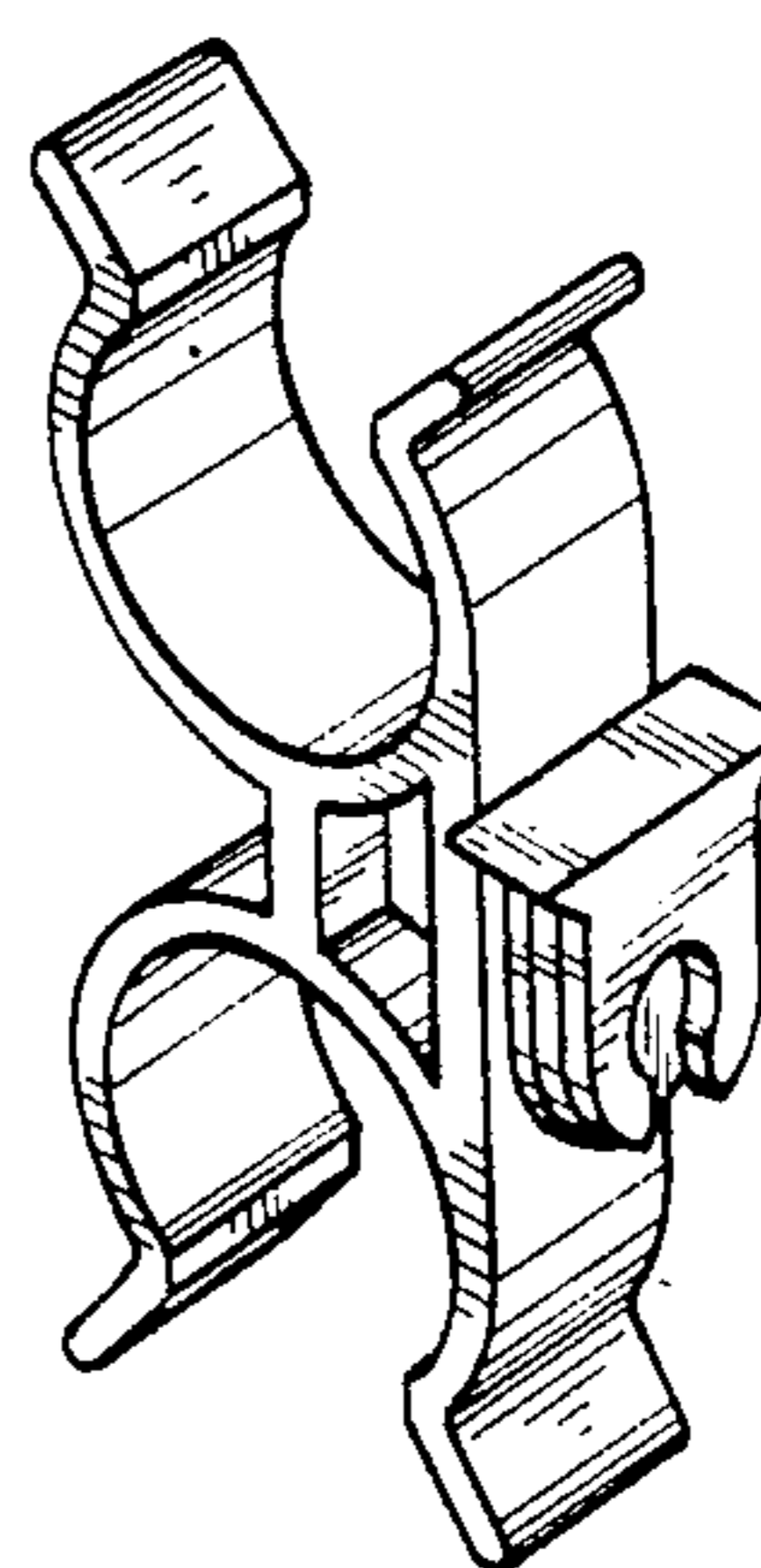


FIG. 8

