

[54] PANEL FASTENER OR THE LIKE
 [75] Inventor: Hiroshi Osada, Yokohama, Japan
 [73] Assignee: Nifco Inc., Yokohama, Japan
 [*] Notice: The portion of the term of this patent subsequent to May 24, 2002 has been disclaimed.
 [**] Term: 14 Years
 [21] Appl. No.: 805,759
 [22] Filed: Nov. 19, 1985

[30] Foreign Application Priority Data
 May 24, 1985 [JP] Japan 60-21320
 [52] U.S. Cl. D8/382
 [58] Field of Search D8/382, 388, 391, 392; D12/176; 411/500, 501, 508, 509, 510

[56] References Cited
 U.S. PATENT DOCUMENTS
 D. 27,138 6/1897 O'Sullivan D8/391
 D. 273,091 3/1984 Kurosaki D8/382
 2,227,579 1/1941 Harley D12/176
 2,274,069 2/1942 Johnson D12/176
 2,828,645 4/1958 Wilfert D12/176

4,402,641 9/1983 Arff 411/510
 FOREIGN PATENT DOCUMENTS
 0507652 11/1954 Canada 411/508
 2070678 9/1981 United Kingdom 411/500

Primary Examiner—B. J. Bullock
 Attorney, Agent, or Firm—Trexler, Bushnell, Giangiorgi & Blackstone, Ltd.

[57] CLAIM
 The ornamental design for a panel fastener or the like, as shown and described.

DESCRIPTION
 FIG. 1 is a top and front perspective view of a panel fastener or the like showing my new design;
 FIG. 2 is a top plan view thereof;
 FIG. 3 is a bottom plan view thereof;
 FIG. 4 is a front elevational view thereof the rear being identical;
 FIG. 5 is a right side elevational view thereof;
 FIG. 6 is a cross-sectional view taken in the direction of the arrows on line VI—VI of FIG. 2;
 FIG. 7 is a front elevational view thereof, the broken line showing of the panels being for illustrative purposes only.

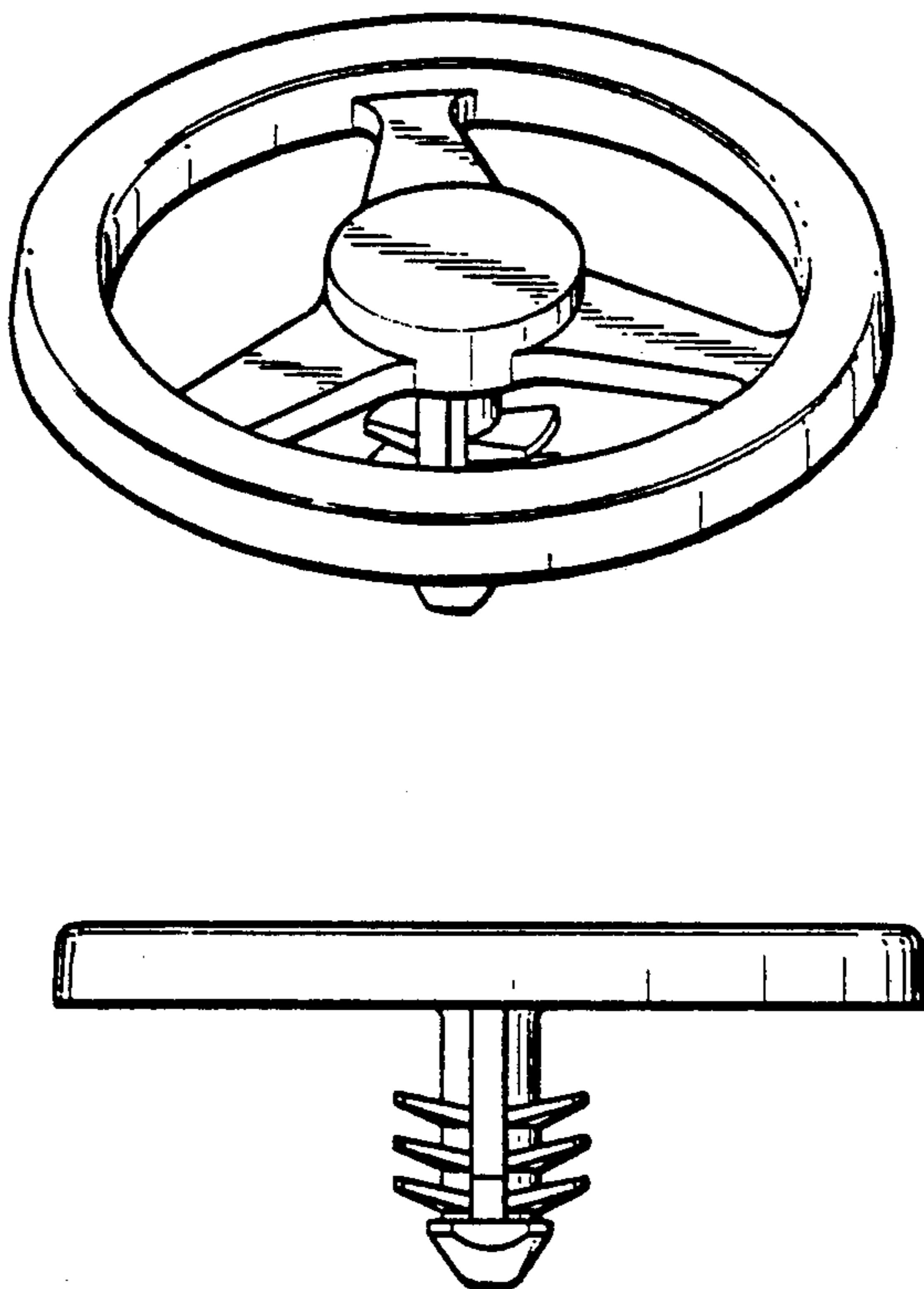


FIG. 1

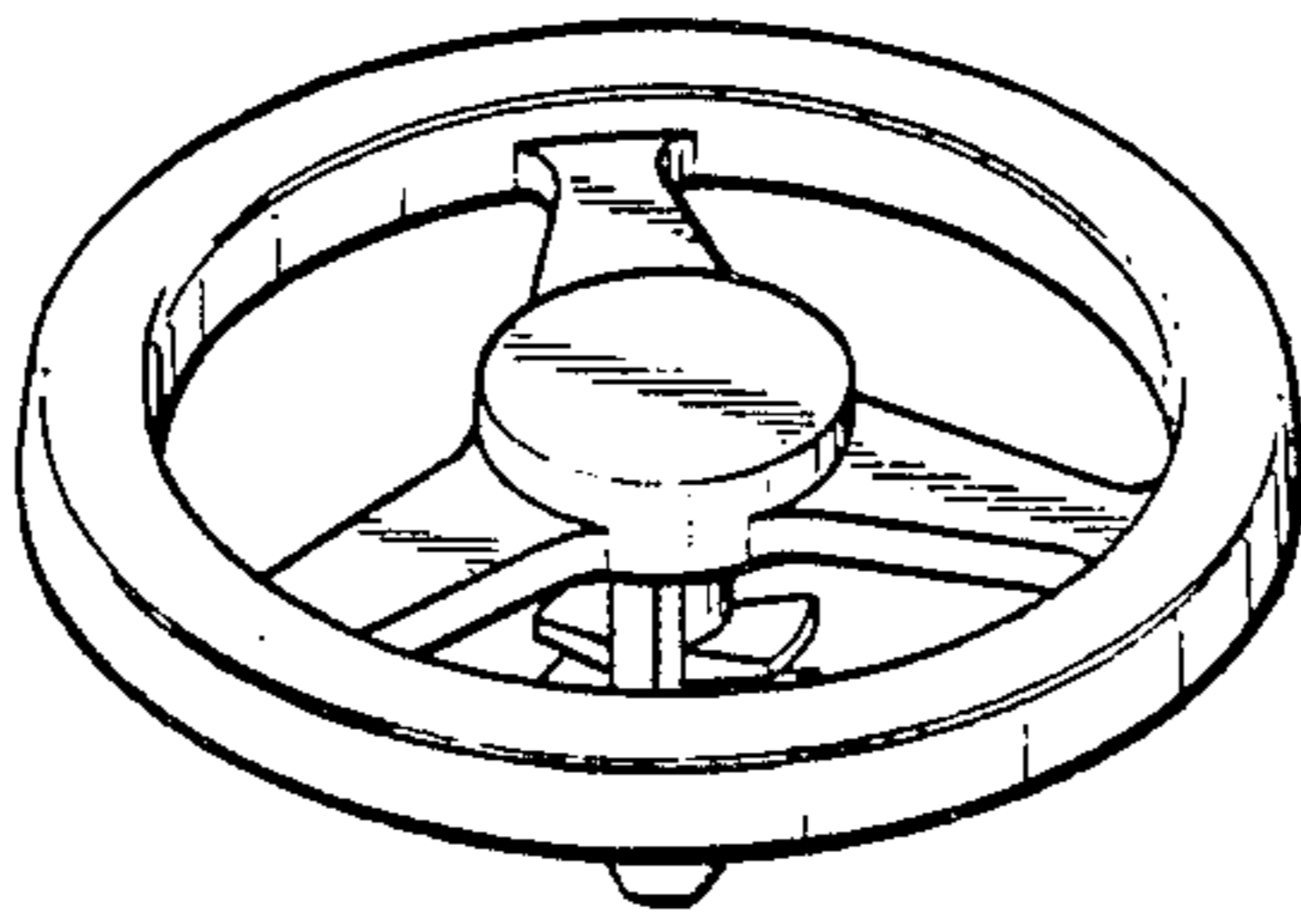


FIG. 2

FIG. 3

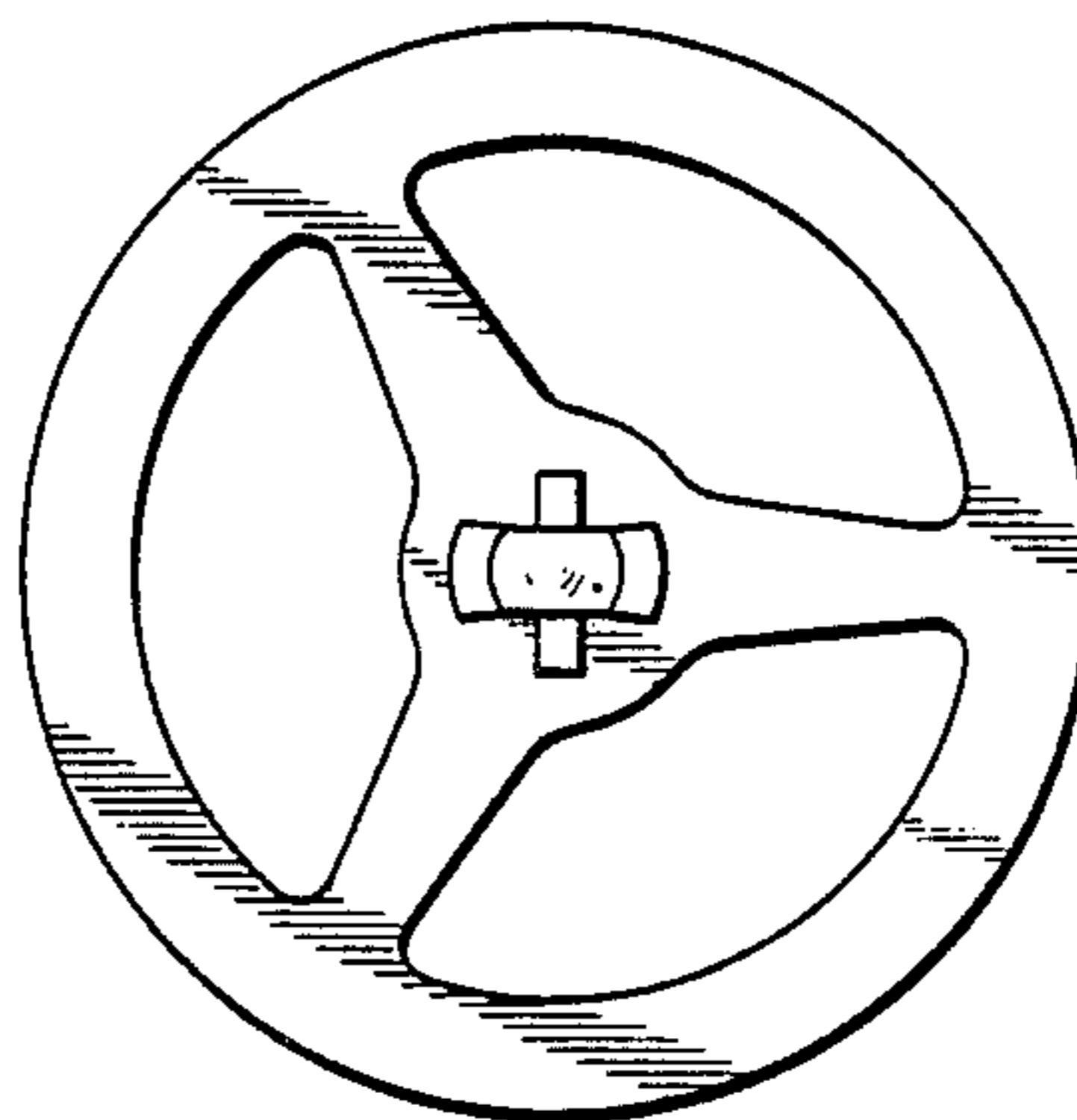
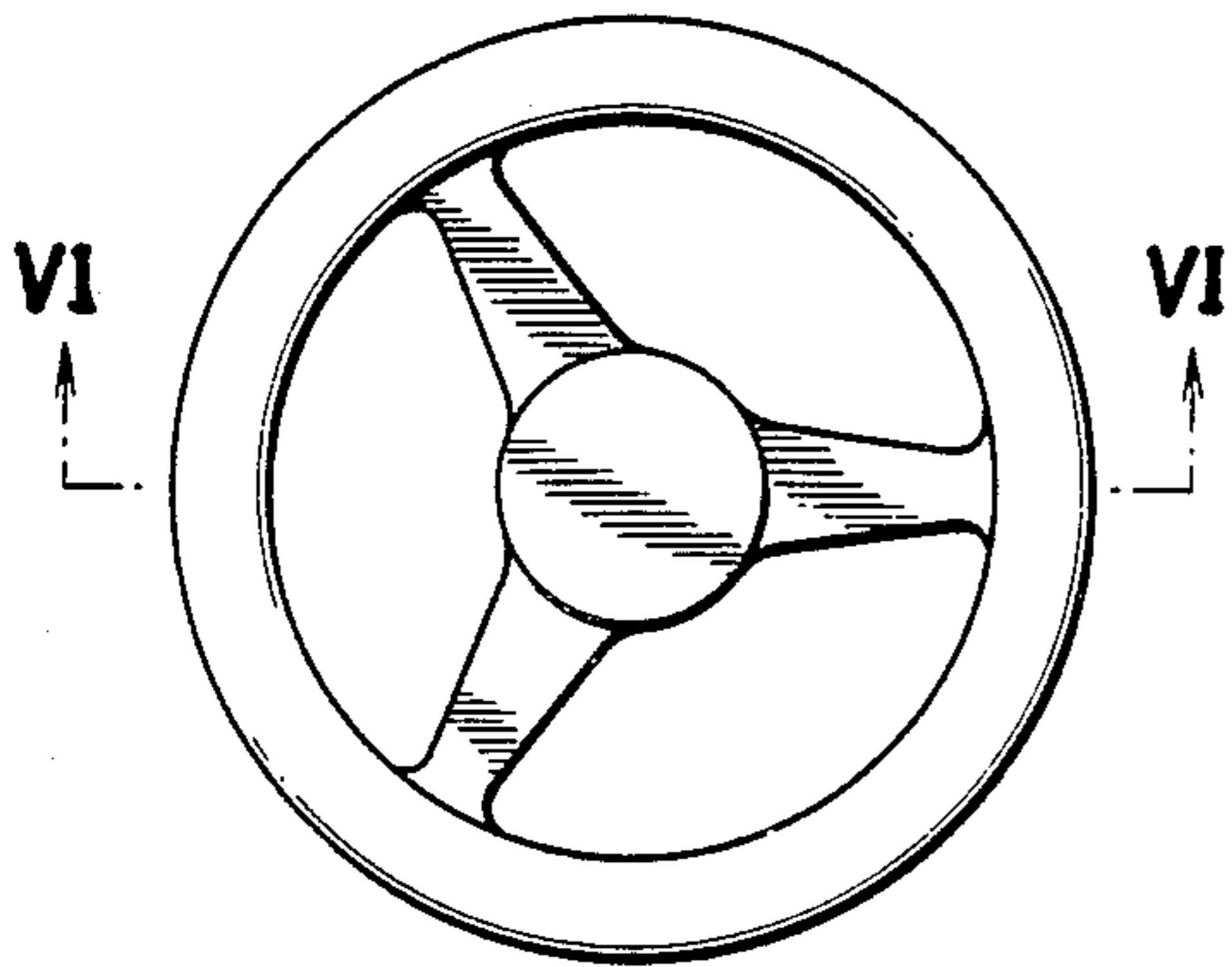


FIG. 4

FIG. 5

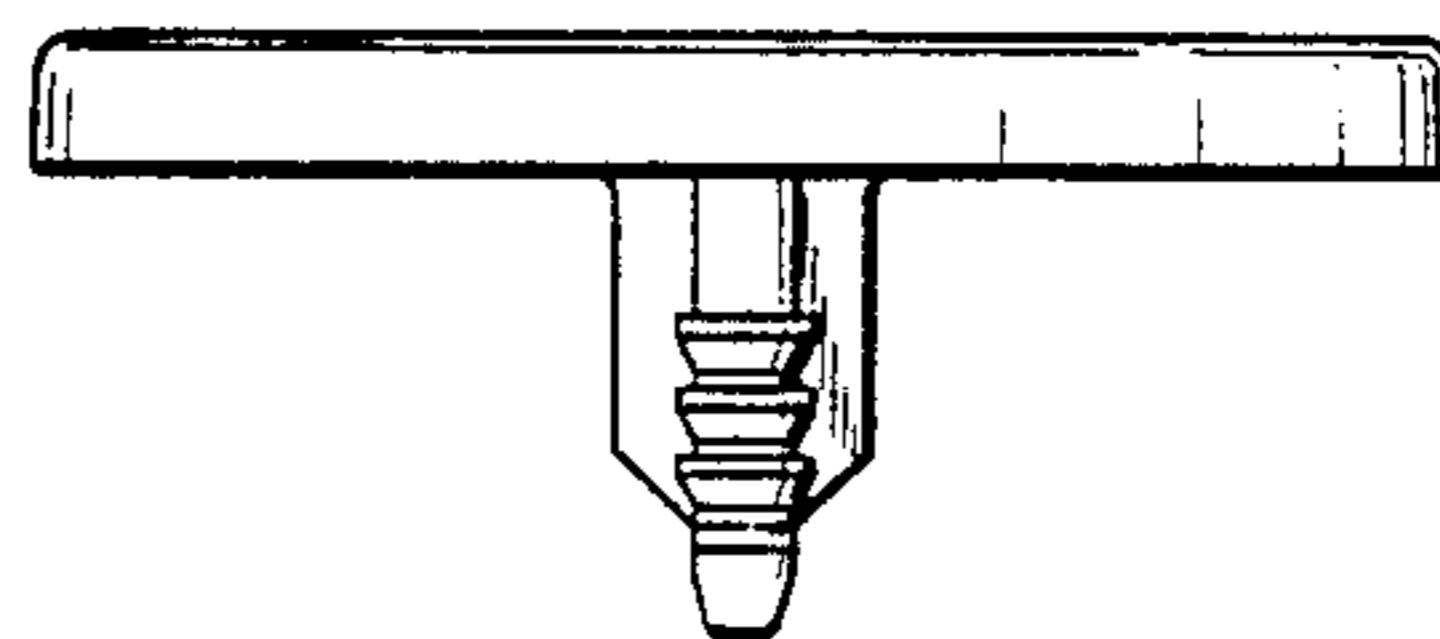
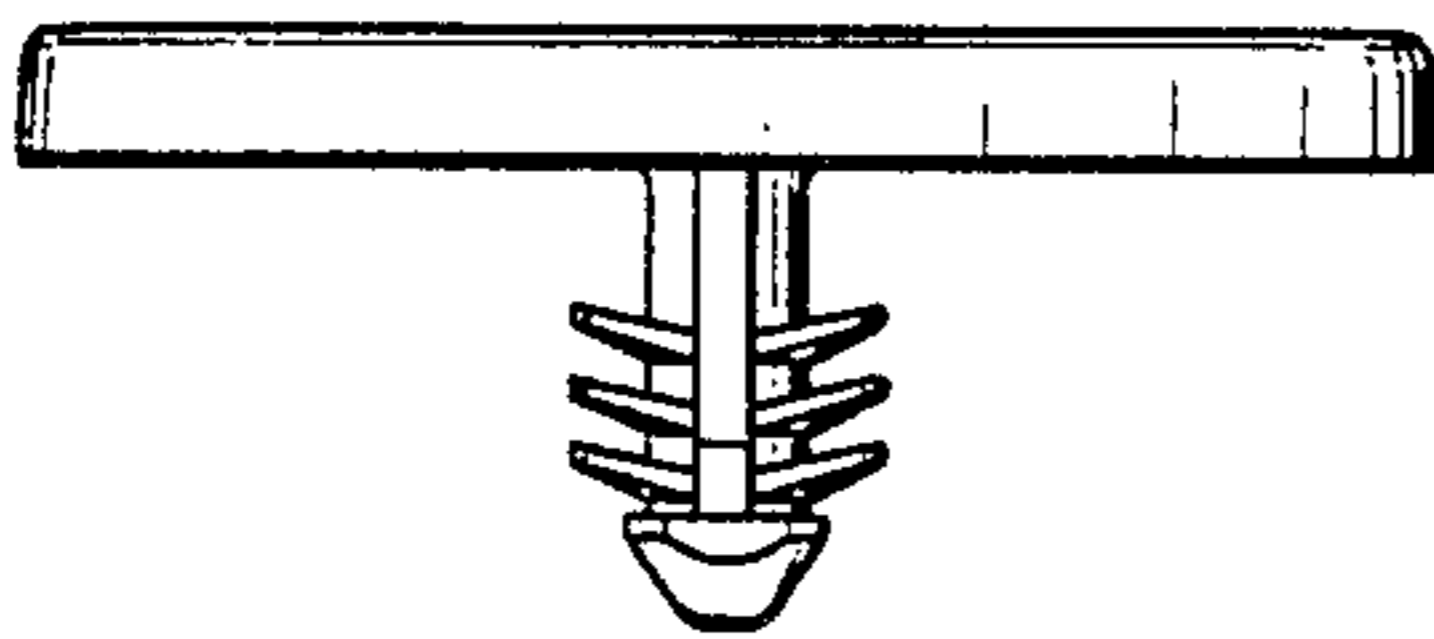


FIG. 6

FIG. 7

