

[54] SEAL LOCK BODY

4,460,203 7/1984 Moberg et al. .... 292/318  
4,500,124 2/1985 Swift ..... 292/318

[75] Inventors: Carlo B. DeLuca; John J. Klosin,  
both of Ormond Beach, Fla.

Primary Examiner—Susan J. Lucas  
Assistant Examiner—Brian N. Vinson  
Attorney, Agent, or Firm—John E. Benoit

[73] Assignee: Homac Mfg. Company, Ormond  
Beach, Fla.

[\*\*] Term: 14 Years

[57] CLAIM

The ornamental design for a seal lock body, as shown  
and described.

[21] Appl. No.: 909,458

DESCRIPTION

[22] Filed: Sep. 18, 1986

[52] U.S. Cl. .... D8/331

[58] Field of Search ..... D8/330-331,  
D8/334, 343-346; 292/307 R, 317-321, 324,  
328, 330; 70/14

FIG. 1 is a perspective view of a seal lock body showing our new design, the broken-line showing of the shackle and cabinet hardware being for illustrative purposes only and forming no part of the claimed design; FIG. 2 is a front elevational view thereof, the rear being a mirror image;

[56] References Cited

U.S. PATENT DOCUMENTS

204,226	5/1878	Hunter	.....	292/318
1,139,052	5/1915	Murray et al.	.....	292/318
1,173,603	2/1916	Murray et al.	.....	292/318
1,333,276	3/1920	Murray	.....	292/318
1,549,742	8/1925	Brune, Sr.	.....	292/320
1,553,188	9/1925	Sauton	.....	292/318
1,930,560	10/1933	Keidel	.....	292/318
1,943,988	1/1934	Peake	.....	292/330
1,987,351	1/1935	Rose	.....	292/328
2,006,051	6/1935	Keidel	.....	292/328
2,140,320	12/1938	Keidel	.....	292/318
2,422,841	6/1947	McClain	.....	292/307 R
3,570,283	3/1971	Males	.....	70/14
3,730,578	5/1973	Geriach	.....	292/318
3,996,247	6/1976	Muller, Jr. et al.	.....	292/318
4,194,775	3/1980	Shea	.....	292/307 R

FIG. 3 is a top plan view thereof;

FIG. 4 is a bottom view thereof;

FIG. 5 is a right side elevational view thereof;

FIG. 6 is a left side elevational view thereof;

FIG. 7 is a vertical cross-sectional view thereof, taken along line 7—7 of FIG. 3;

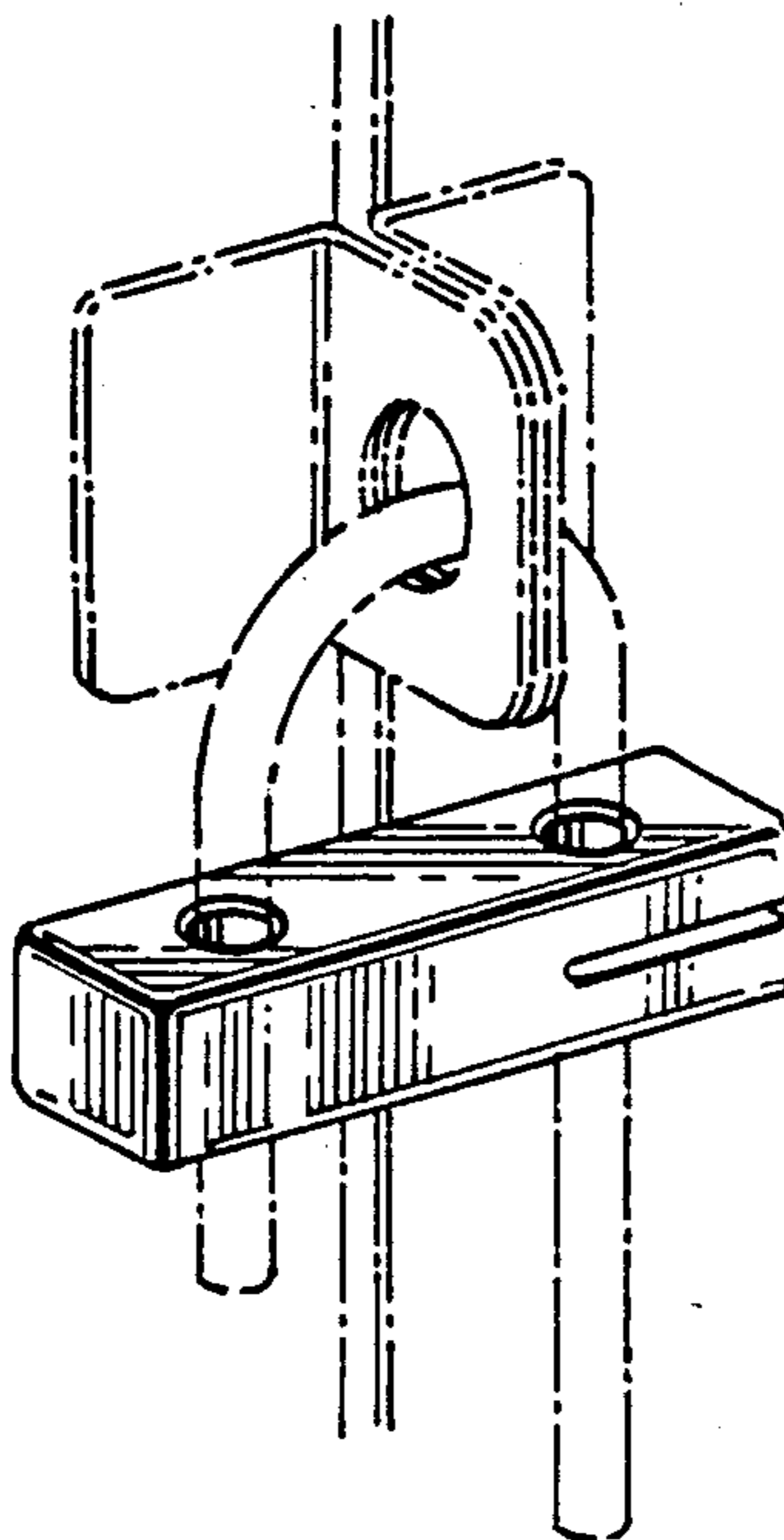
FIG. 8 is a vertical cross-sectional view thereof, taken along line 8—8 of FIG. 4;

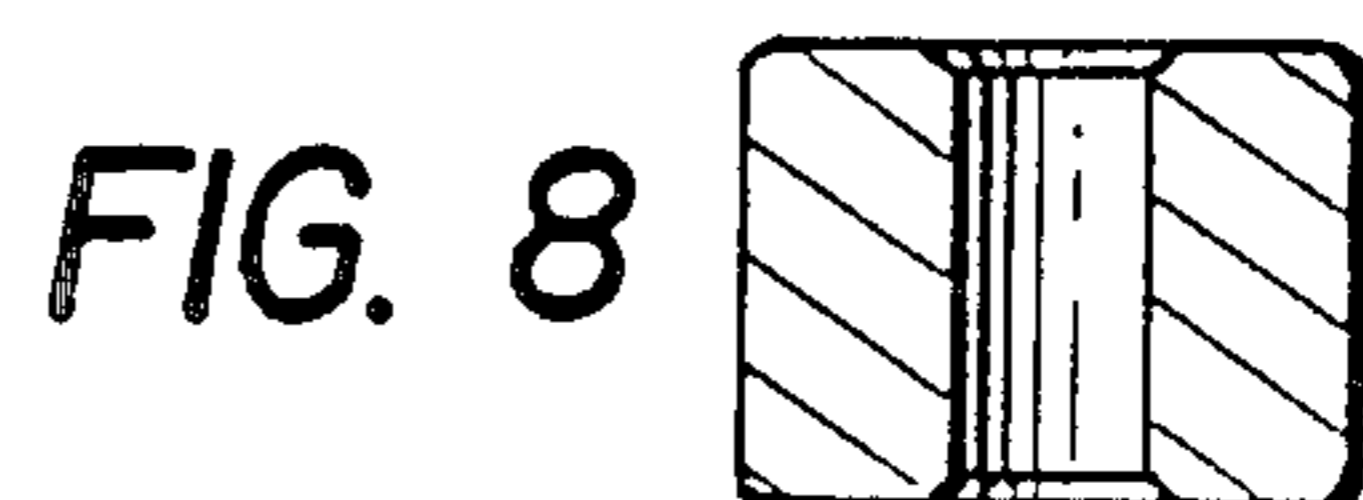
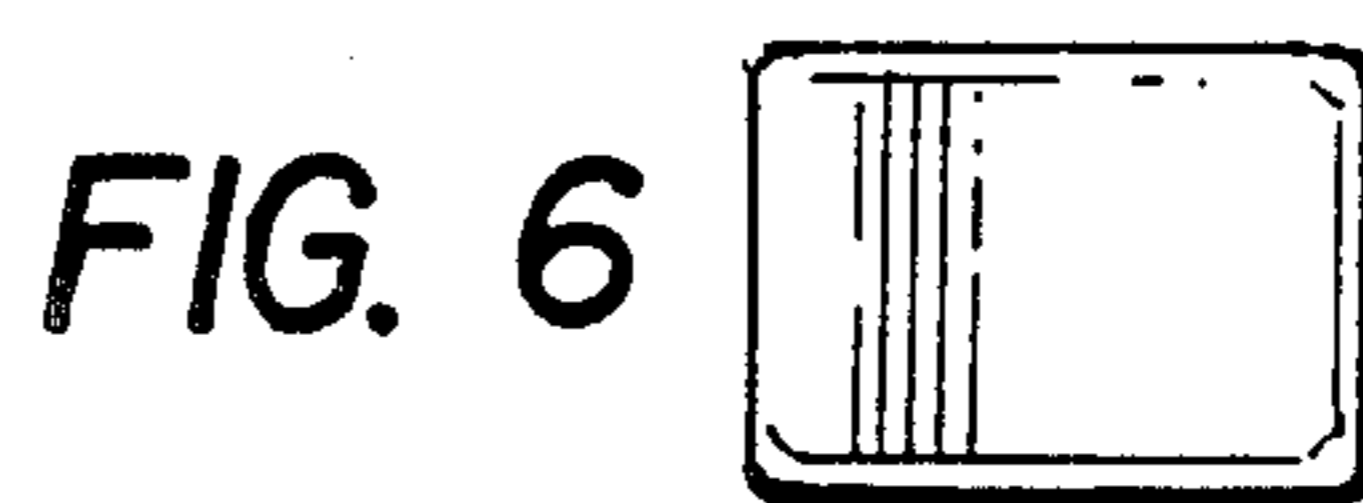
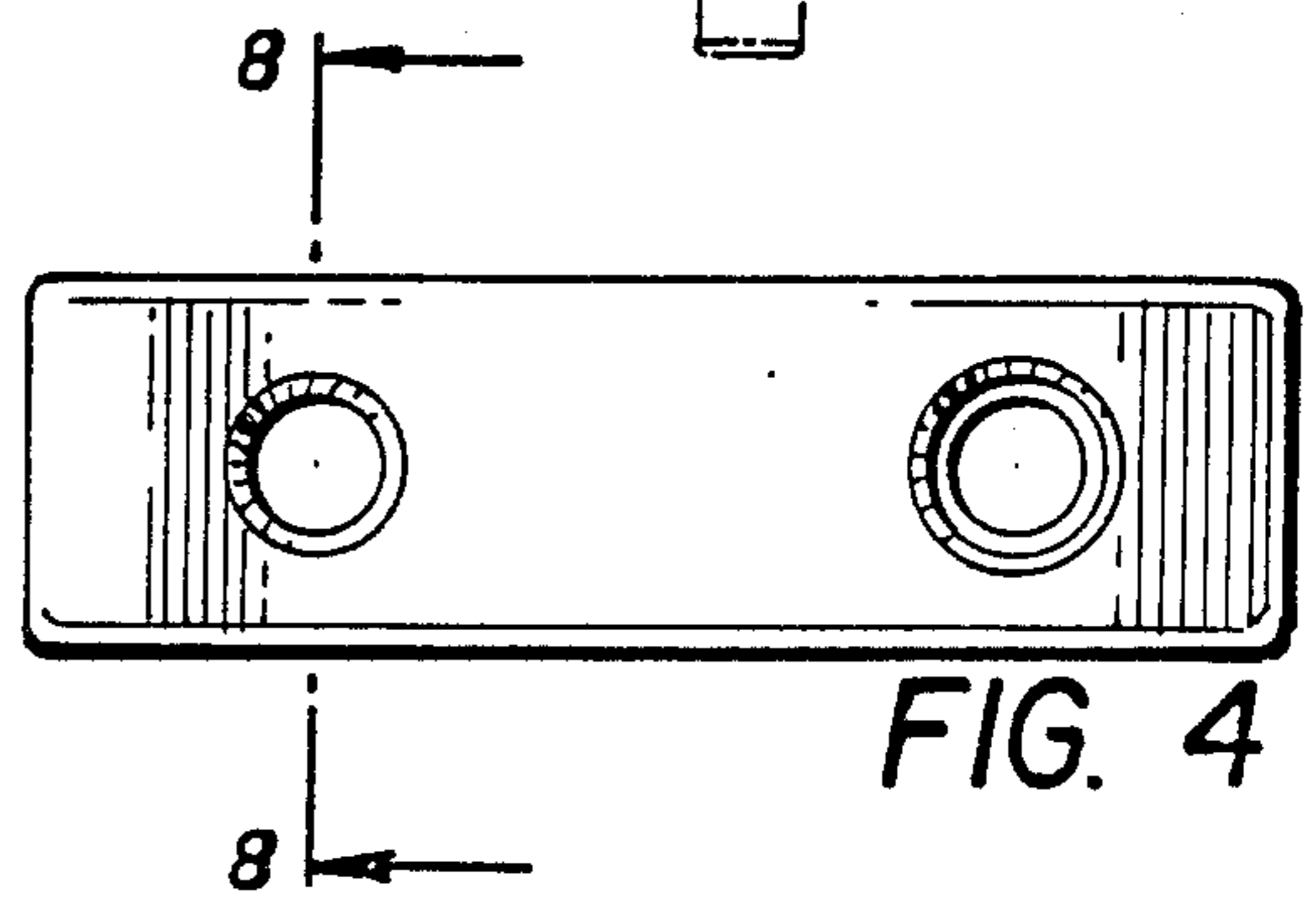
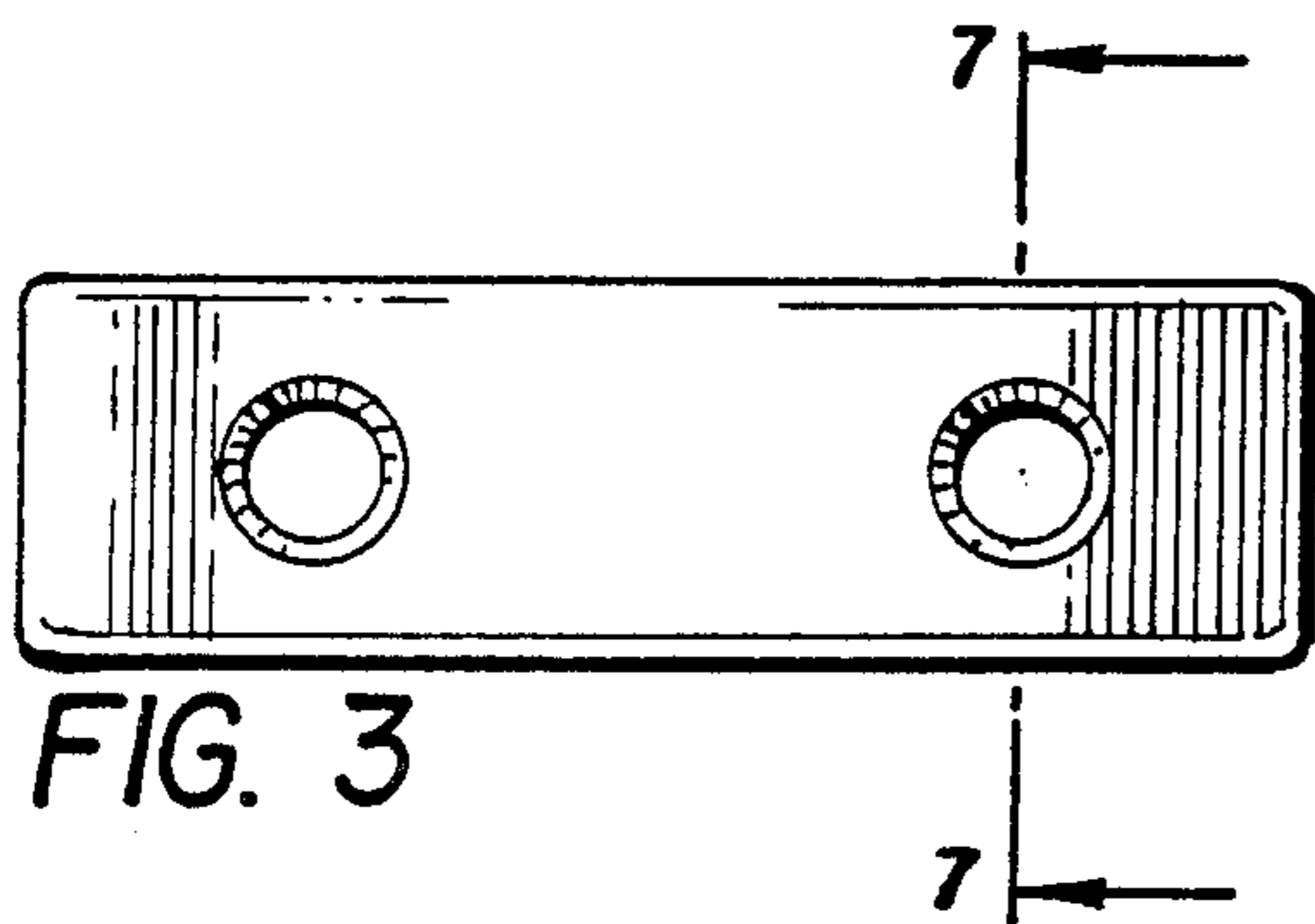
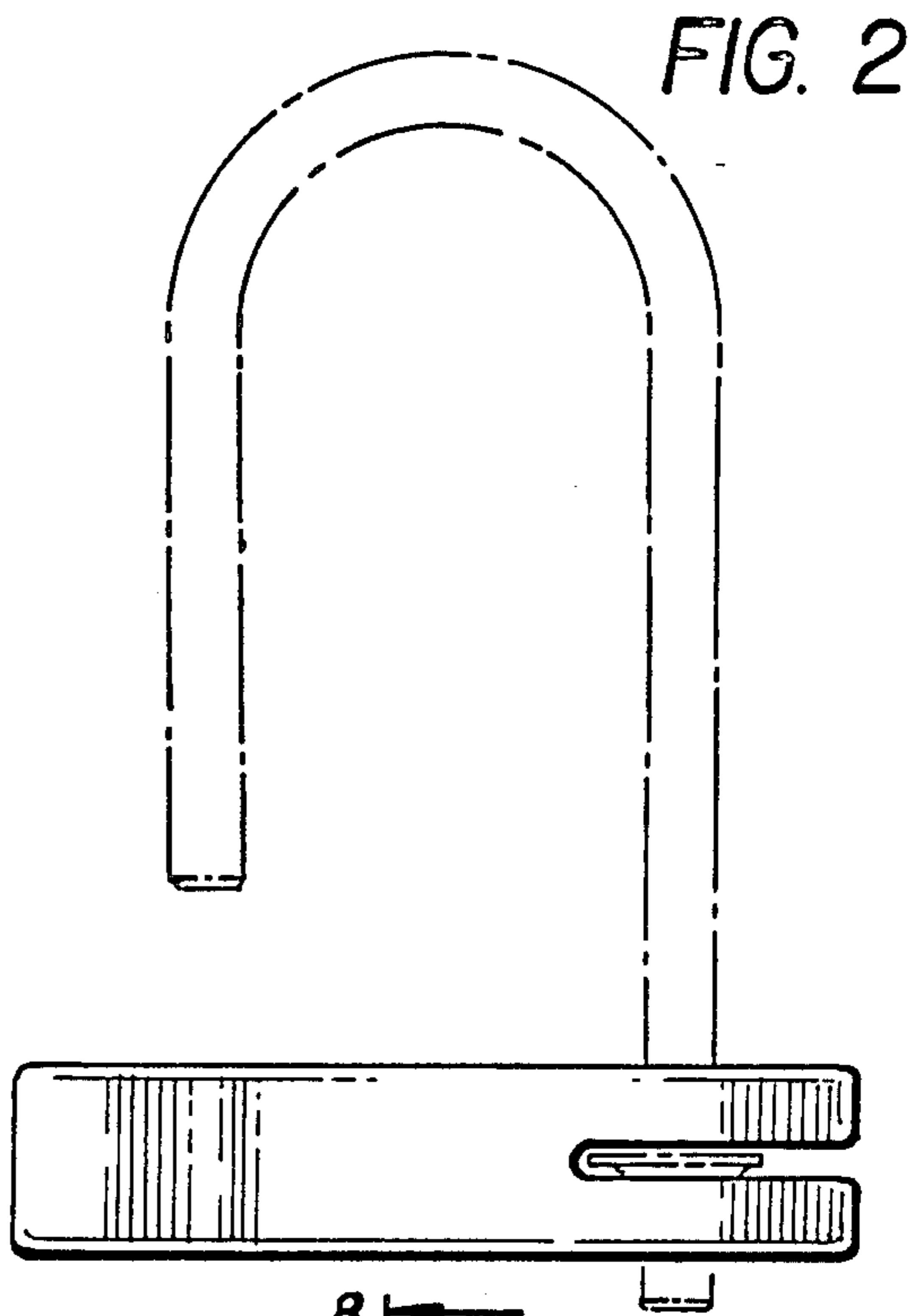
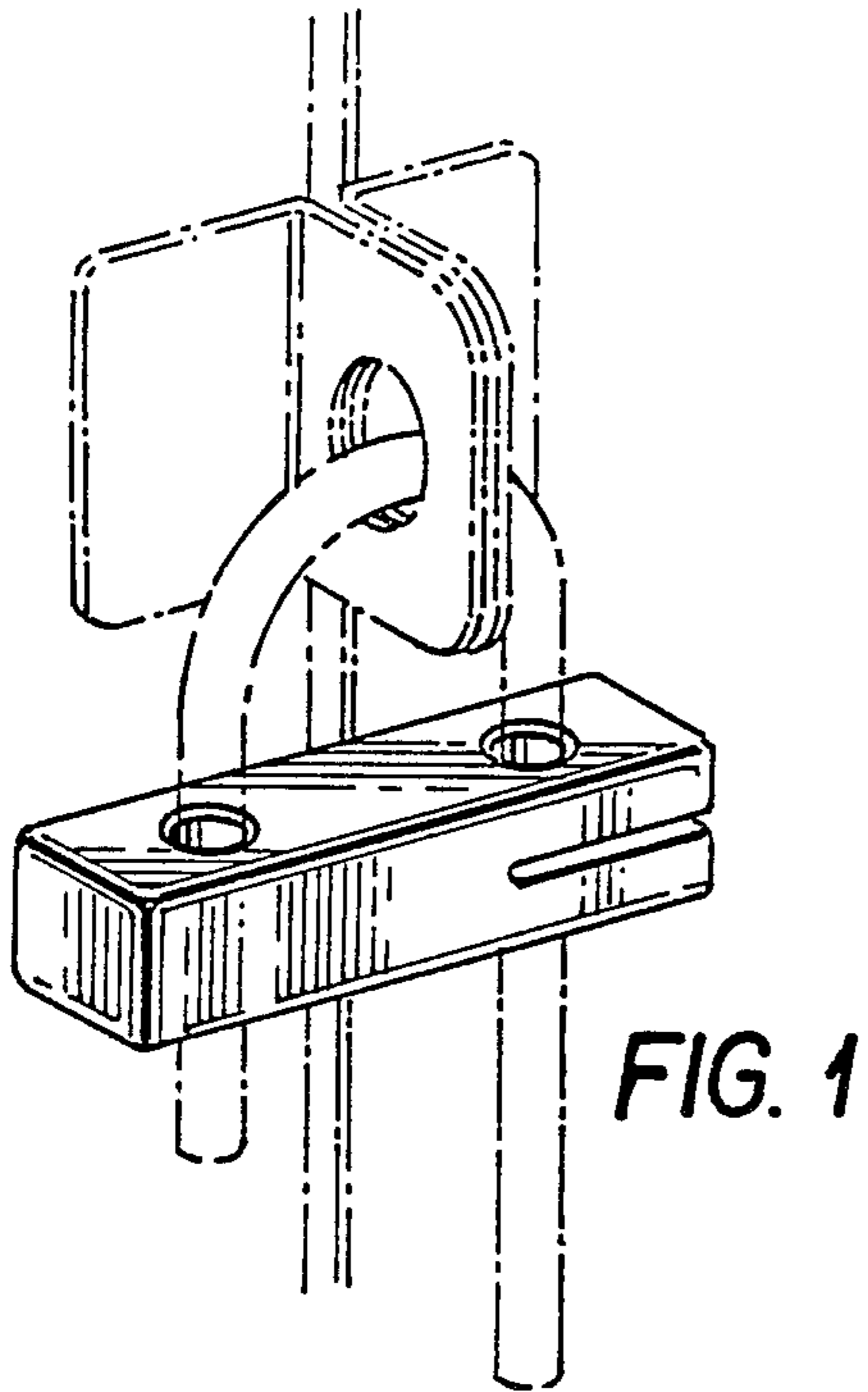
FIG. 9 is a front elevational view of an alternate embodiment thereof, the rear being identical in appearance;

FIG. 10 is a top plan view of the embodiment of FIG. 9;

FIG. 11 is a bottom plan view thereof; and,

FIG. 12 is a left side elevational view thereof, the right side being identical in appearance.





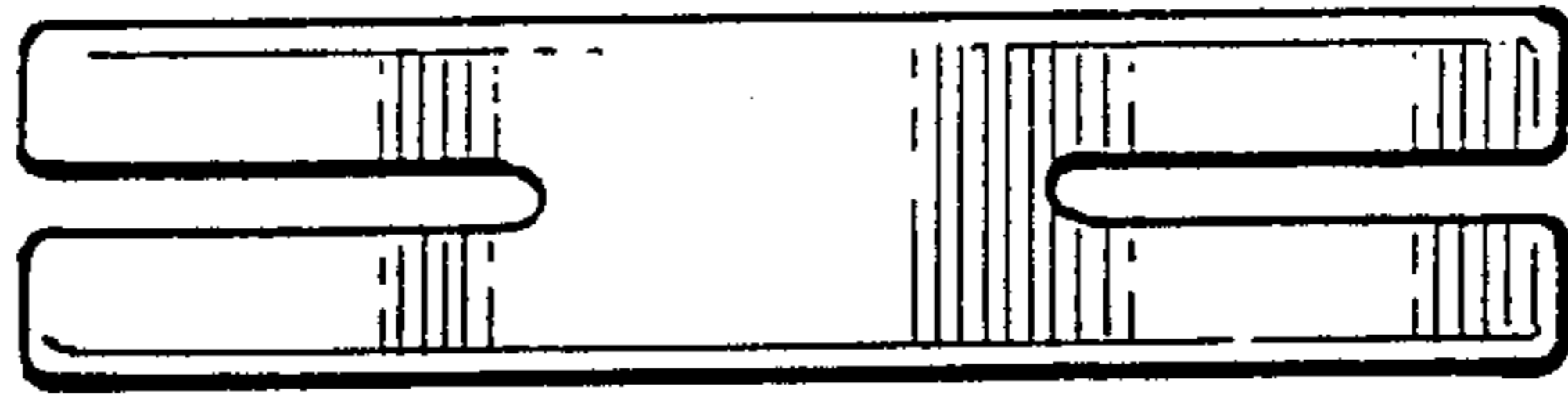


FIG. 9

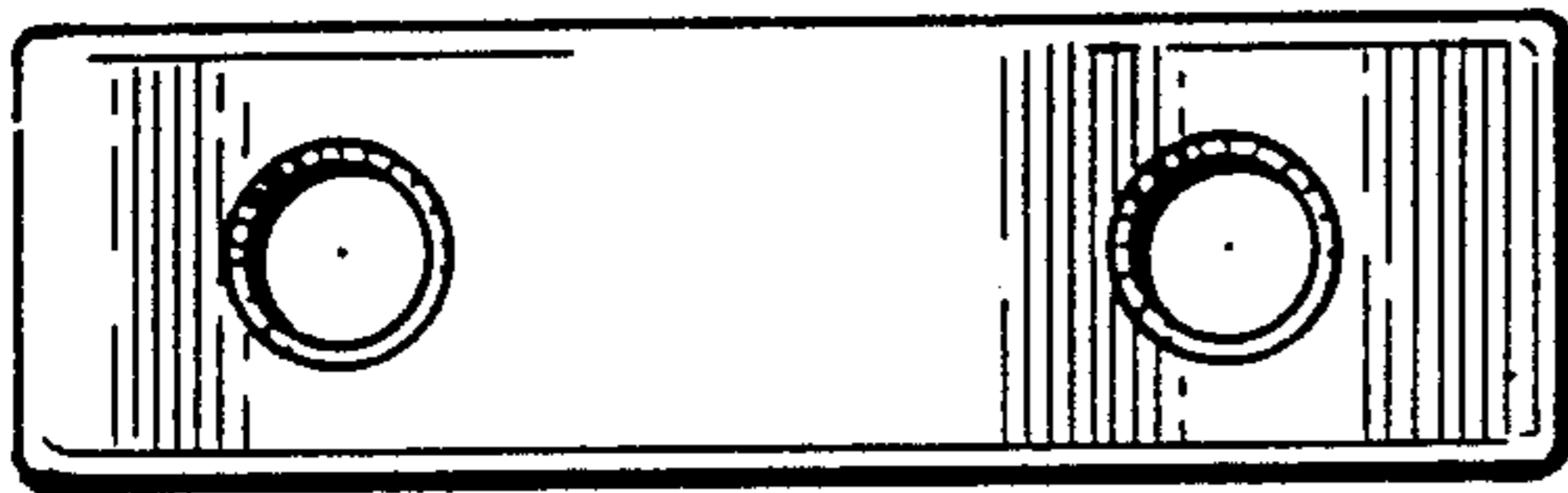


FIG. 10

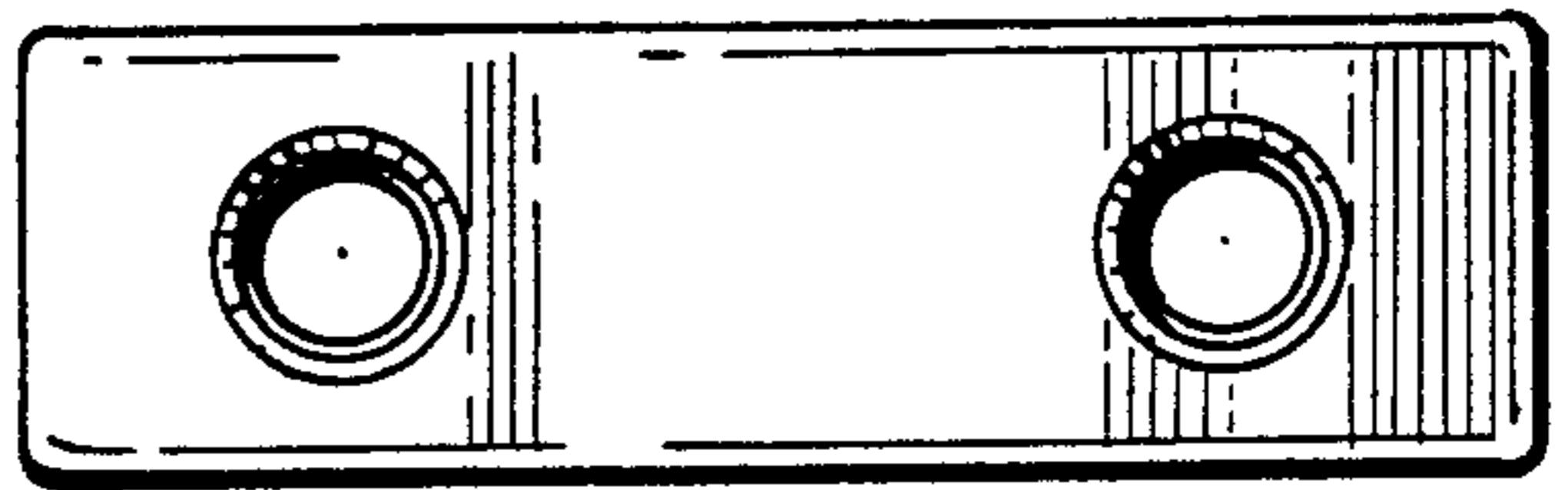


FIG. 11

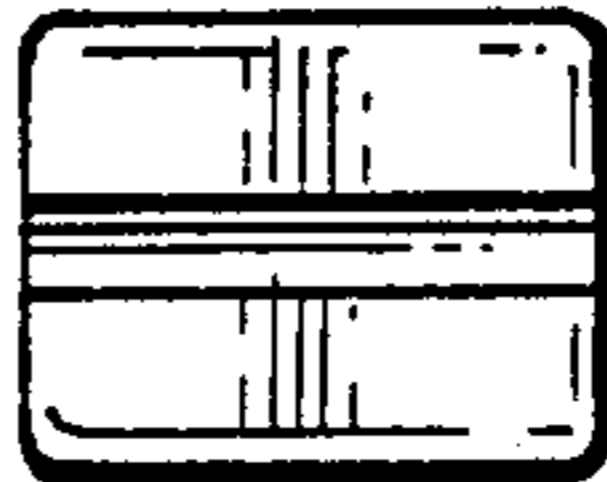


FIG. 12