

[54] CLOSER FOR SLIDING DOORS

2,782,453 2/1957 Schlage 16/49
3,825,290 7/1974 Messina et al. 292/273 X

[76] Inventor: Ronald B. Peterson, 5312 Arbutus St., Arvada, Colo. 80002

Primary Examiner—Susan J. Lucas
Assistant Examiner—Brian N. Vinson
Attorney, Agent, or Firm—Norvell E. Von Behren

[**] Term: 14 Years

[21] Appl. No.: 894,639

[57] CLAIM

[22] Filed: Aug. 8, 1986

The ornamental design for a closer for sliding doors, as shown and described.

[52] U.S. Cl. D8/330

[58] Field of Search D8/330-346;
16/49, 66-68, 71, 82, 84, DIG. 9, DIG. 21;
292/273

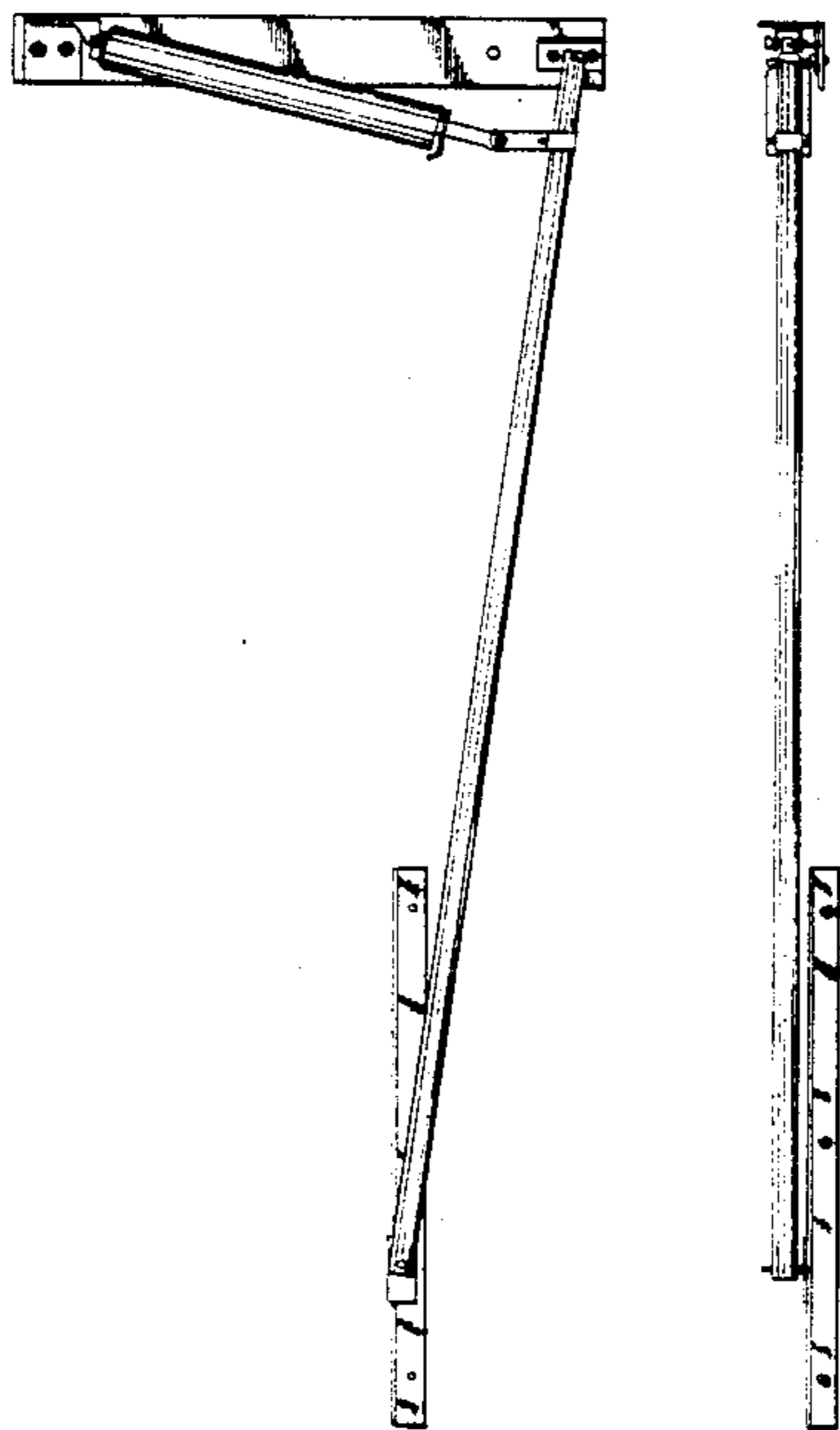
DESCRIPTION

[56] References Cited

U.S. PATENT DOCUMENTS

D. 281,762 12/1985 Okazaki D8/330
2,596,676 5/1952 Goderez D8/330 X

FIG. 1 is a front elevational view of a closer for sliding doors showing my new design;
FIG. 2 is a left side elevational view thereof;
FIG. 3 is a right side elevational view thereof;
FIG. 4 is a top plan view thereof;
FIG. 5 is a bottom plan view thereof; and,
FIG. 6 is a rear elevational view thereof.



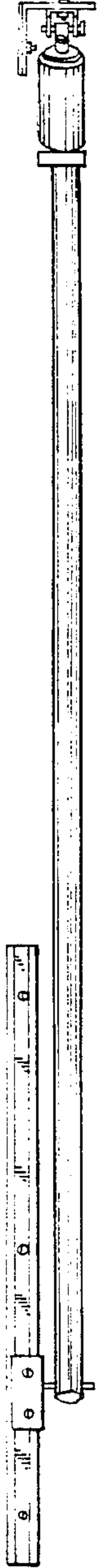


FIG-2

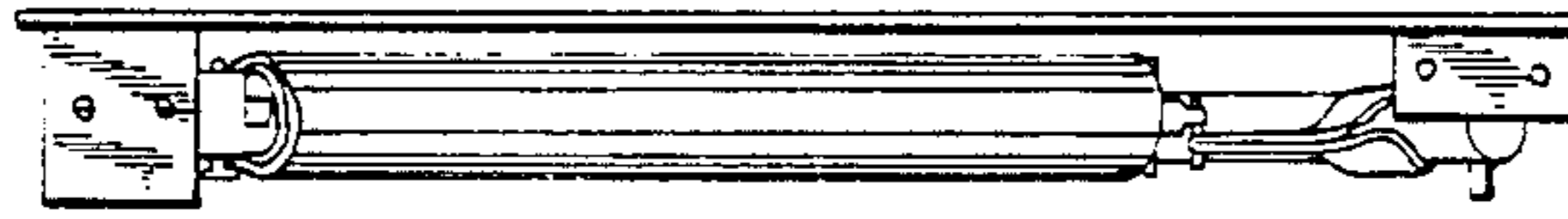


FIG-4

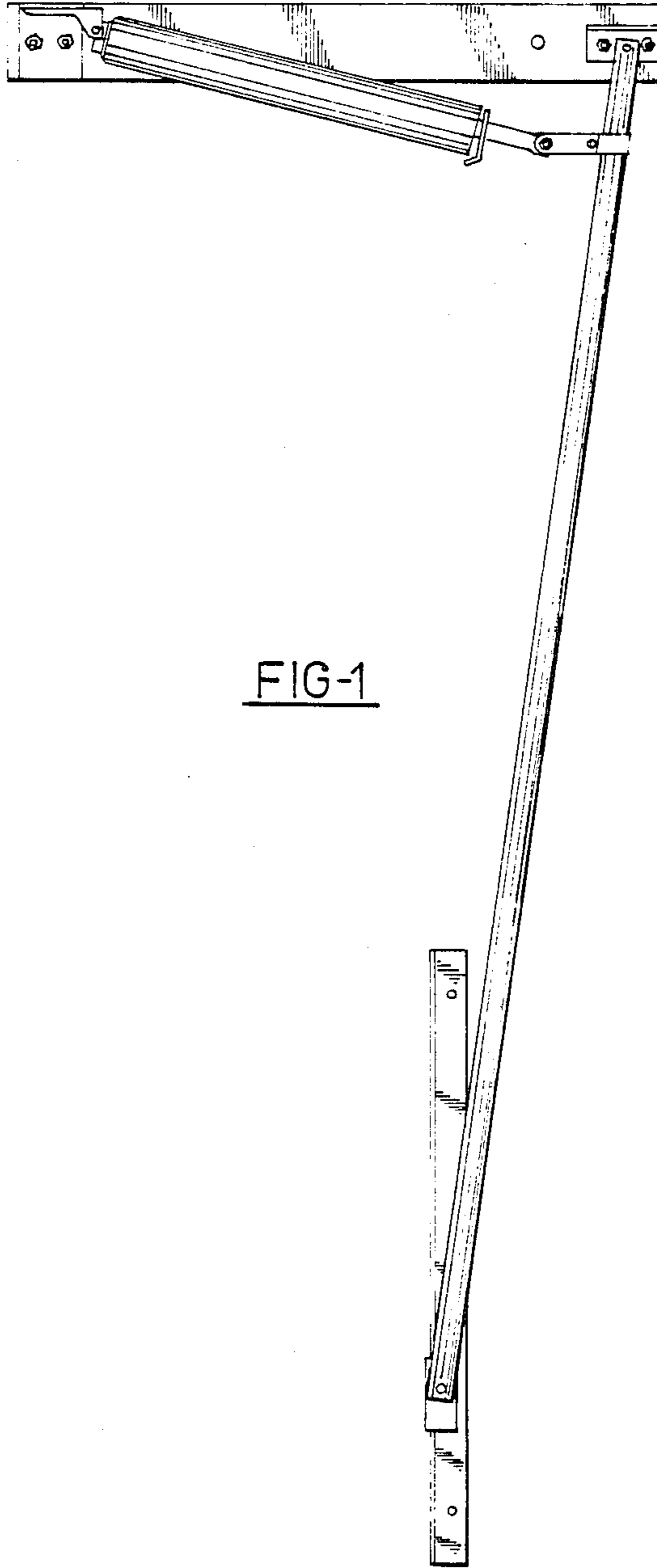


FIG-1



FIG-3

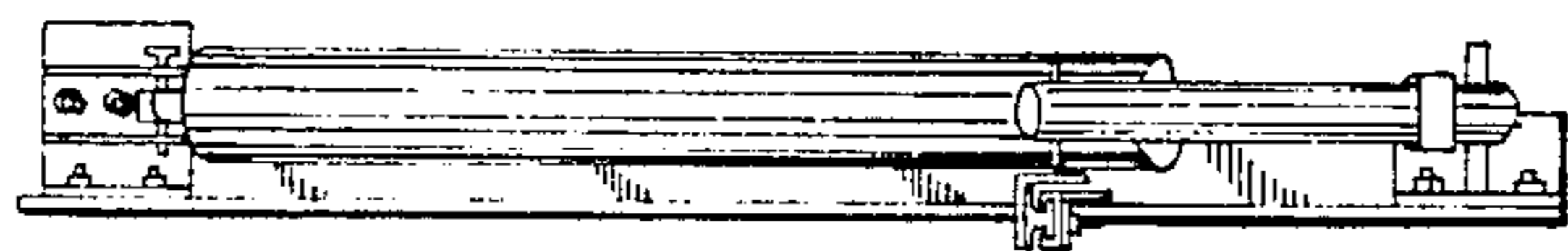


FIG-5

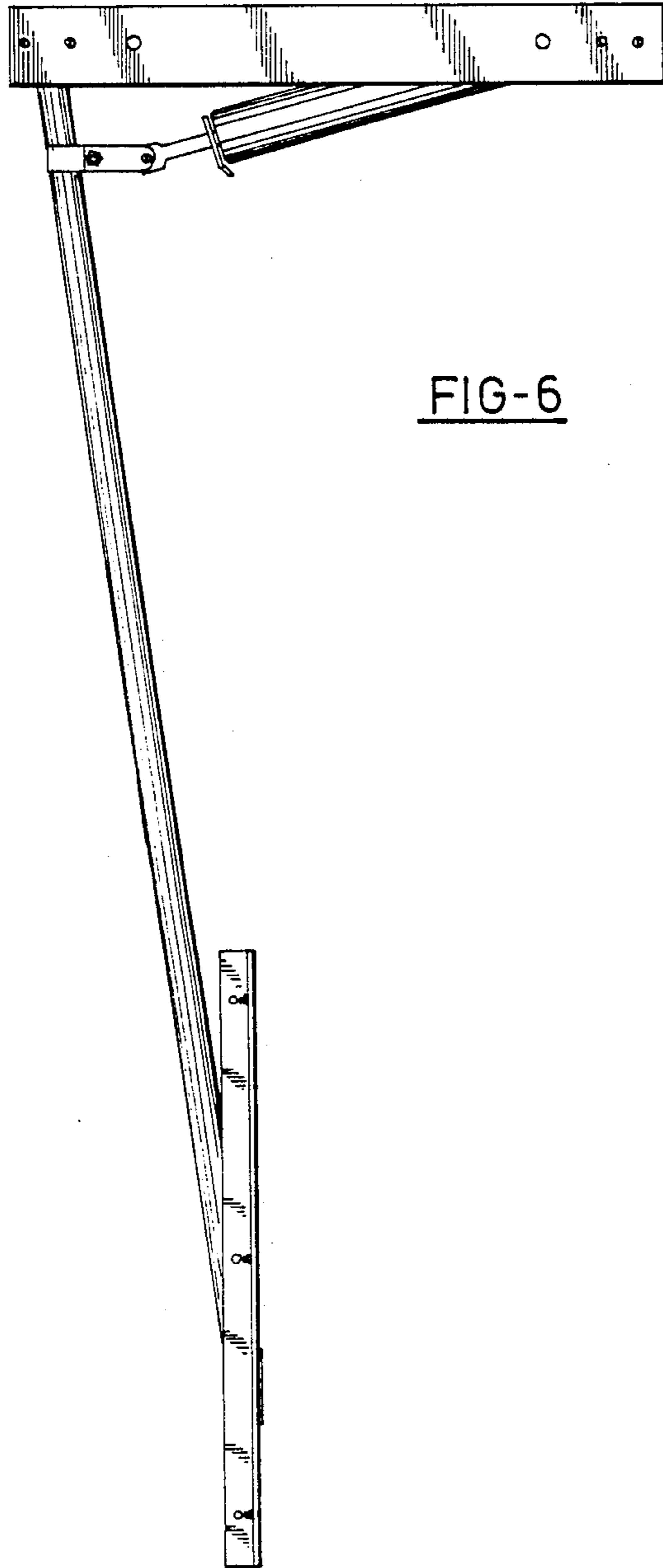


FIG-6