

[54] CORDLESS IMPACT WRENCH

[75] Inventors: Yuichiro Sasaki; Takao Tanabe, both of Ibaragi, Japan

[73] Assignee: Hitachi Koki Co., Ltd., Tokyo, Japan

[**] Term: 14 Years

[21] Appl. No.: 904,306

[22] Filed: Sep. 5, 1986

[52] U.S. Cl. D8/68

[58] Field of Search D8/61, 68, 75, 82, 83, D8/105; 408/120, 124-125, 127; 310/50; 320/2-4; 173/163, 170; 81/44, 52, 53.12, 54, 57.11, 463-464, 466-467, 478, 480, 177.1, 177.7, 438

[56] References Cited

U.S. PATENT DOCUMENTS

D. 205,091	6/1966	Averitt	D8/68
D. 223,134	3/1972	Bunyea	D8/68
D. 243,652	3/1977	Zurwelle et al.	D8/68
D. 256,980	9/1980	Adams et al.	D8/68
D. 275,728	10/1984	Totsu	D8/68

OTHER PUBLICATIONS

Black & Decker Industrial/Construction Division Catalogue, 1982, p. 24, No. 2214, "Reversible Impact Wrench".

Primary Examiner—Wallace R. Burke
Assistant Examiner—Brian N. Vinson
Attorney, Agent, or Firm—Sughrue, Mion, Zinn, Macpeak & Seas

[57] CLAIM

The ornamental design for a cordless impact wrench, as shown.

DESCRIPTION

FIG. 1 is a top, front and side perspective view of a cordless impact wrench showing our new design; FIG. 2 is a side elevational view thereof; FIG. 3 is a top plan view thereof; FIG. 4 is a side elevational view of the opposite side thereof; FIG. 5 is a bottom plan view thereof; FIG. 6 is a front elevational view thereof; and FIG. 7 is a rear elevational view thereof.

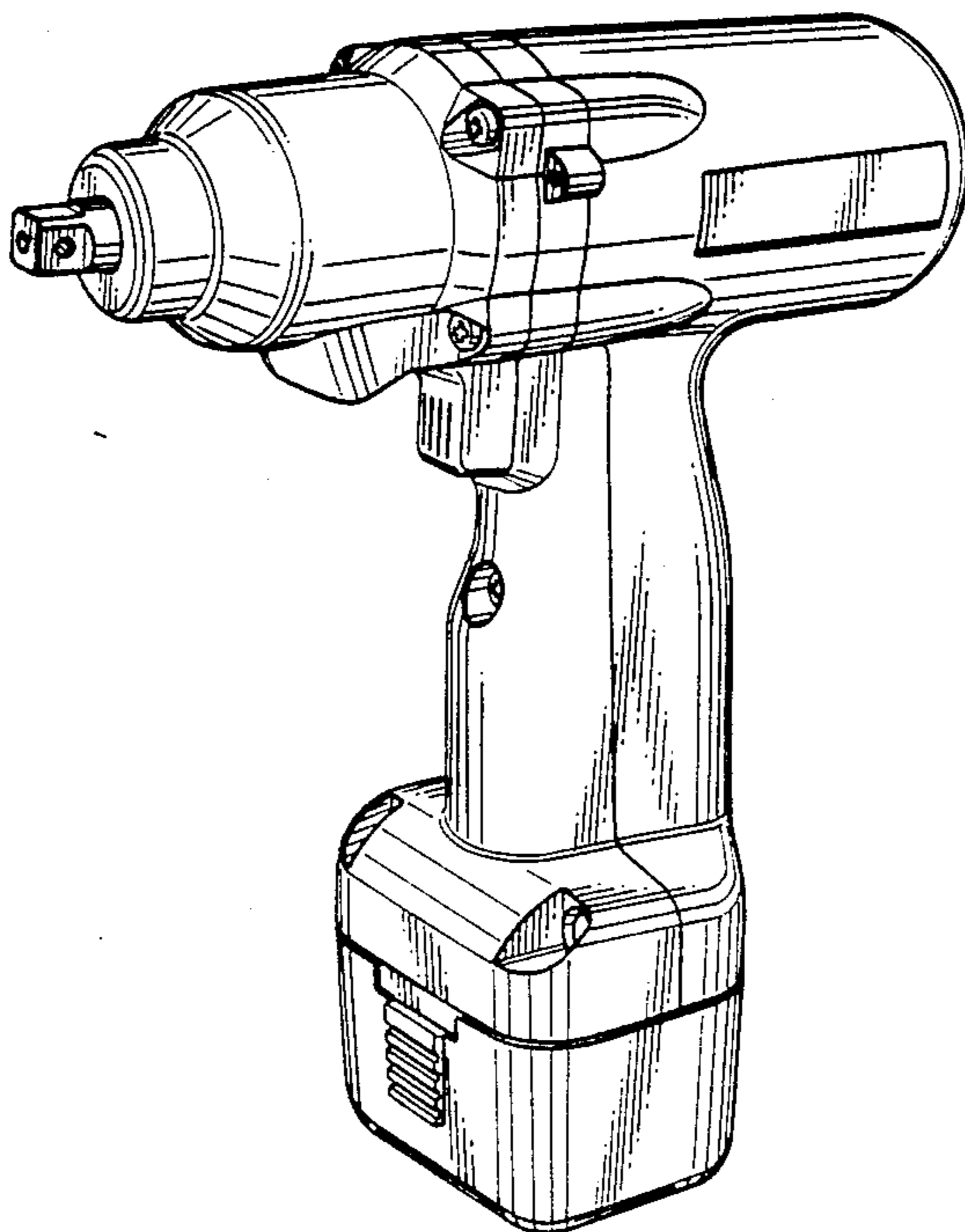


Fig. 1

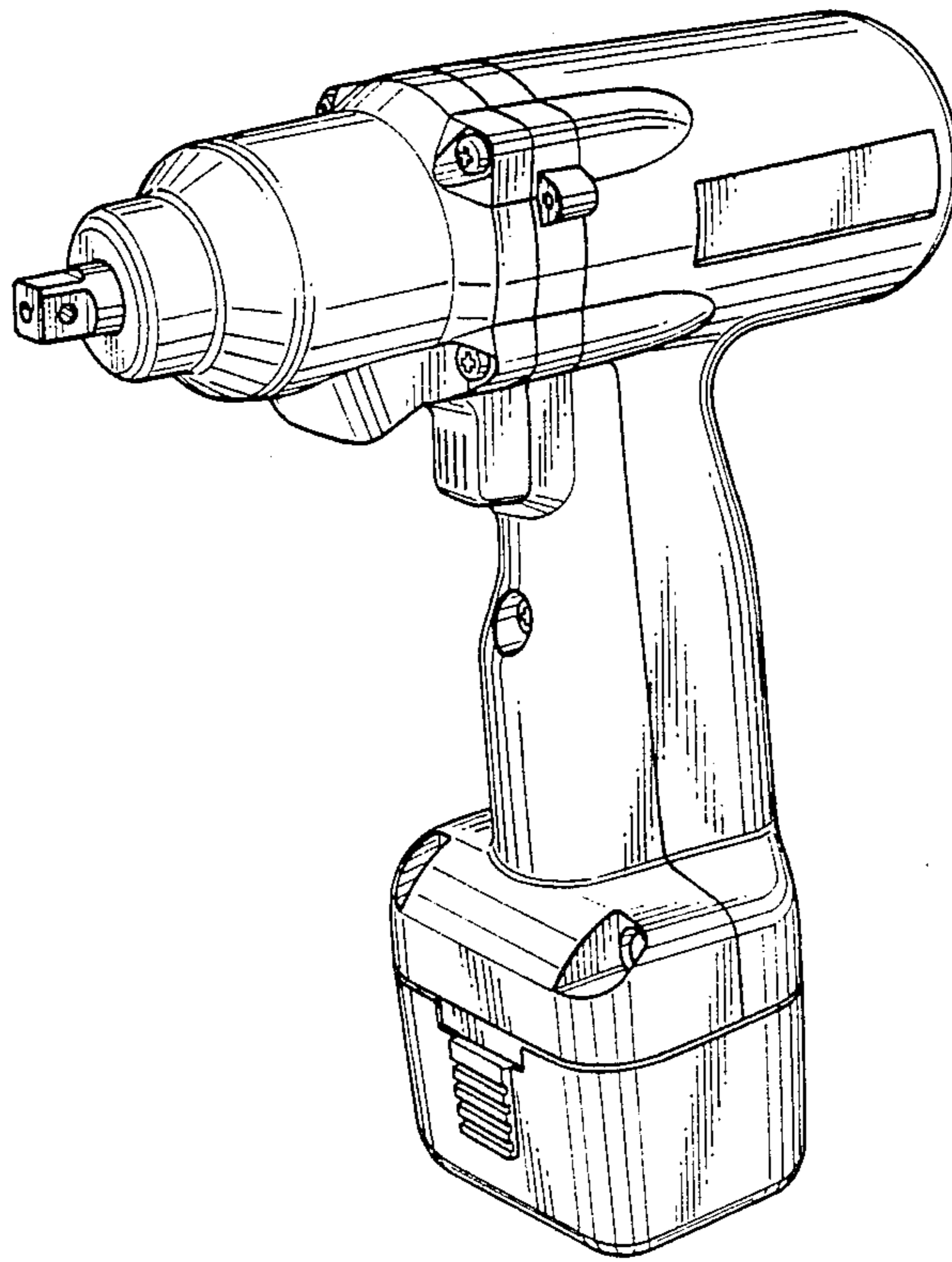


Fig. 2

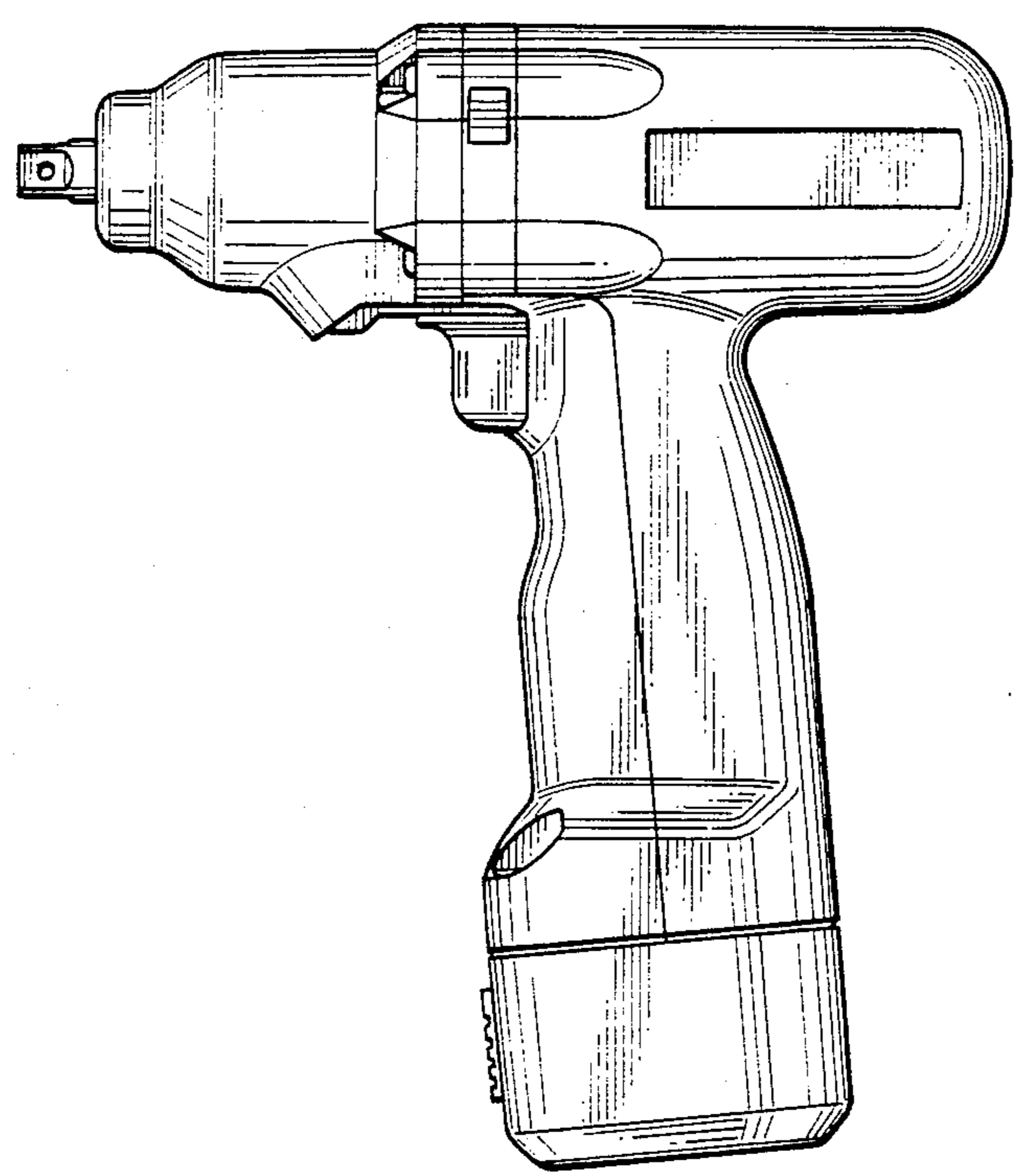


Fig. 3

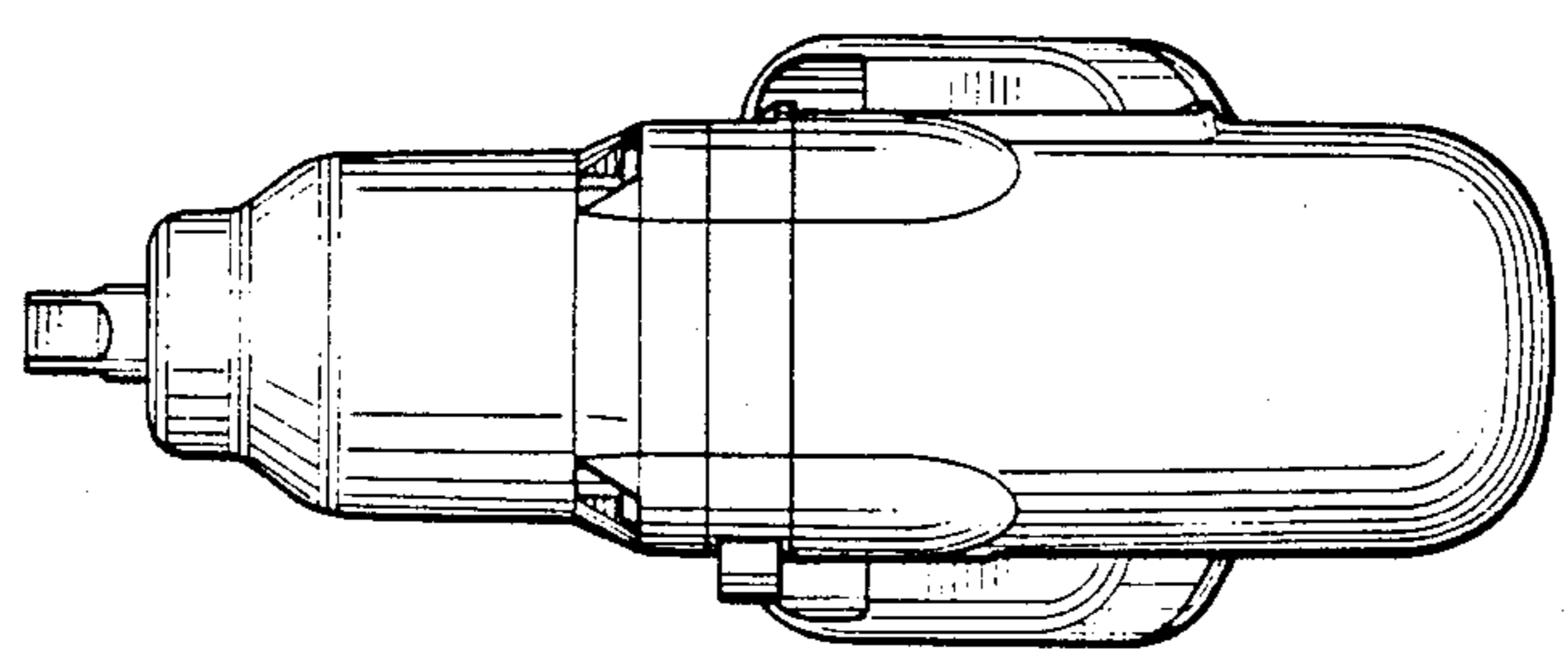


Fig. 4

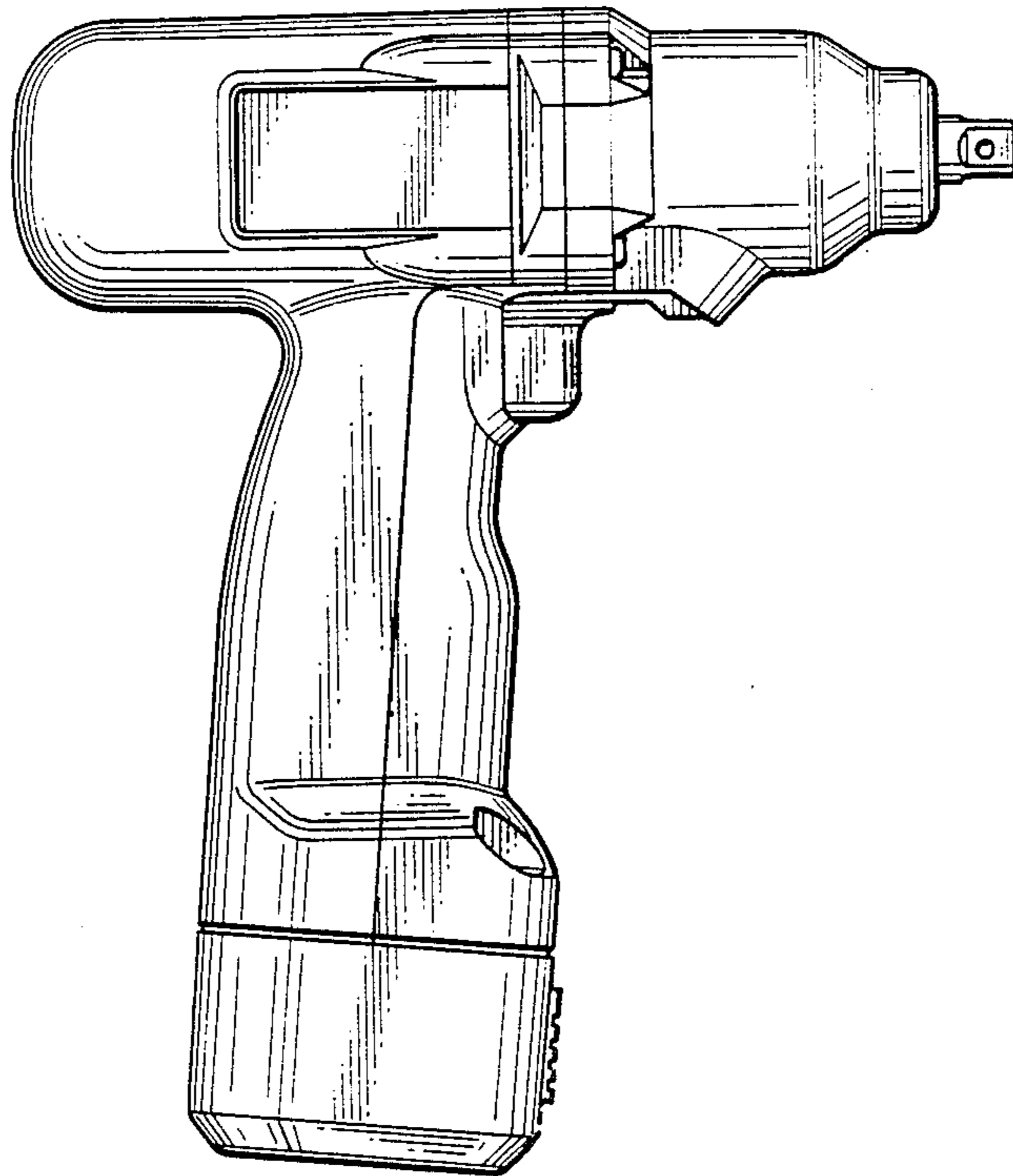


Fig. 5

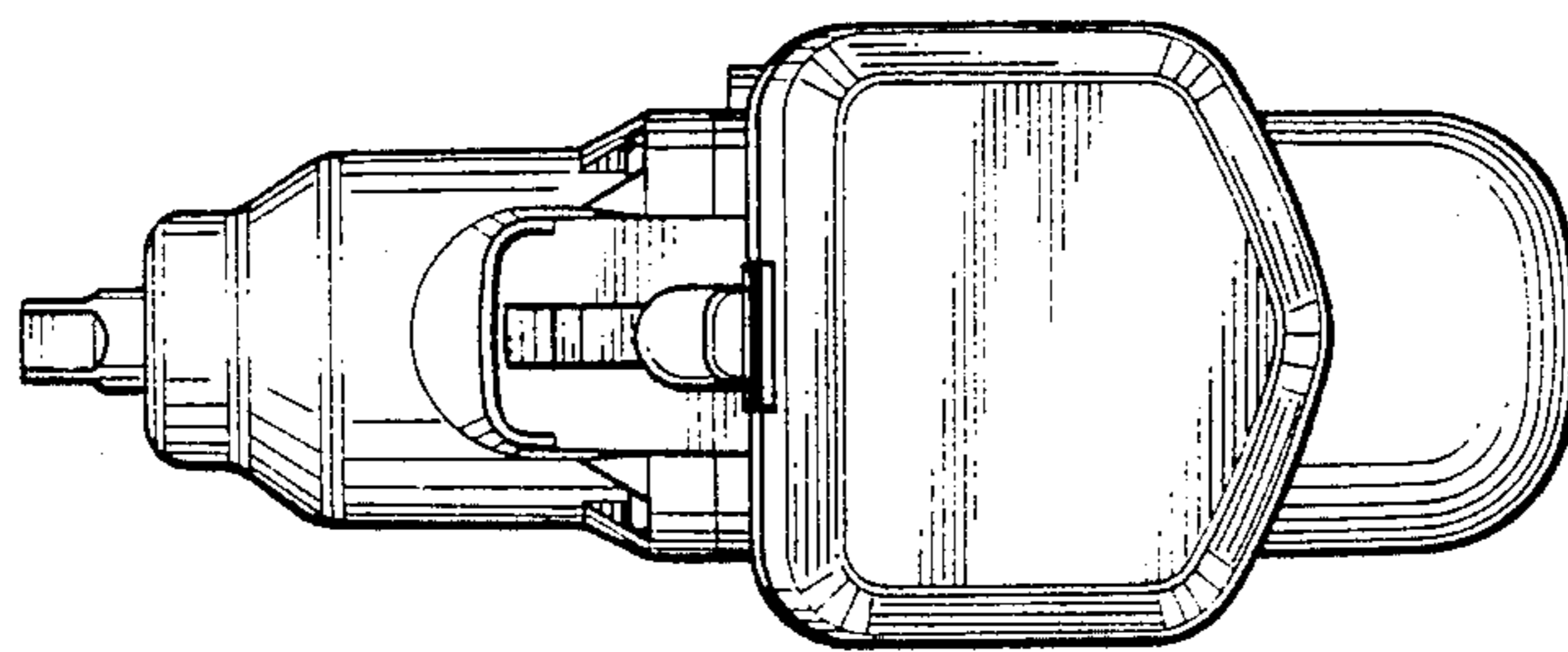


Fig. 6

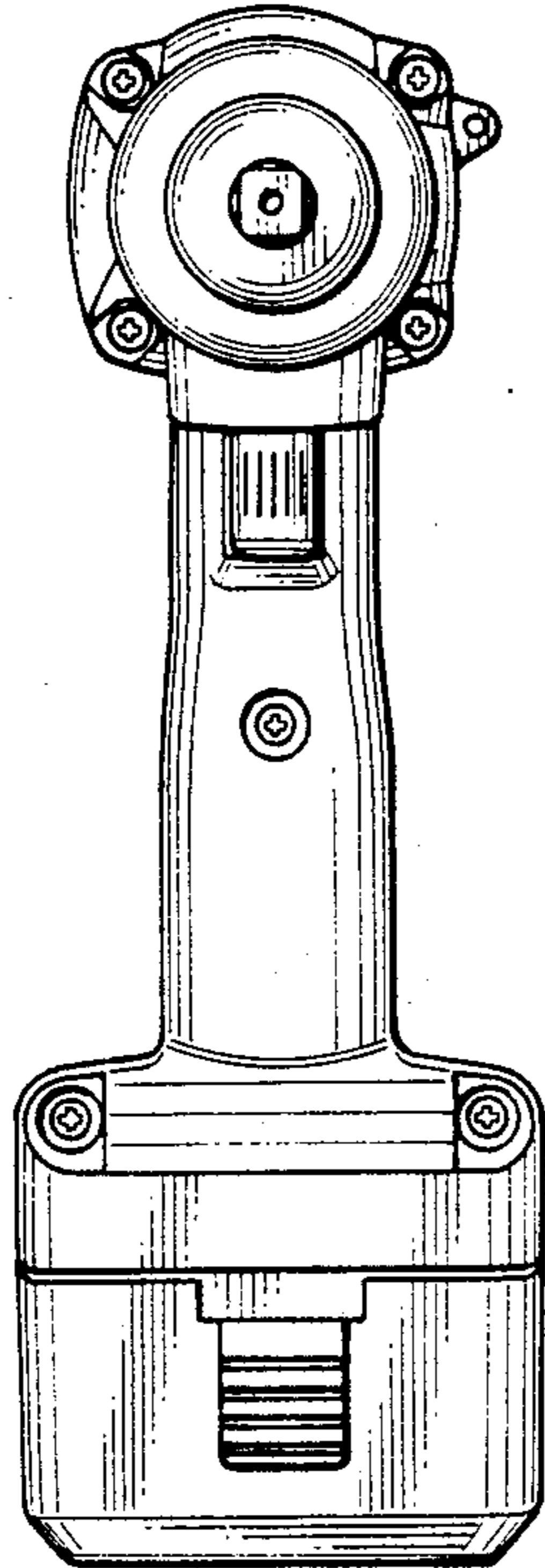


Fig. 7

