

[54] POWER CHAINSAW MOTOR HOUSING

[75] Inventors: Akira Nagashima, Kawasaki; Hiroshi Takahashi, Ichikawa; Toshio Taomo, Tokyo, all of Japan

[73] Assignee: Kioritz Corporation, Tokyo, Japan

[**] Term: 14 Years

[21] Appl. No.: 622,184

[22] Filed: Jun. 19, 1984

[52] U.S. Cl. D8/65

[58] Field of Search D8/61-69; 30/381, 382, 383, 384, 385, 386; D15/1

[56] References Cited

U.S. PATENT DOCUMENTS

D. 256,584	8/1980	Tuggle et al.	D8/65 X
3,525,373	8/1970	Kobayashi	30/381
3,849,883	11/1974	Kolorz	30/381
4,285,309	8/1981	Johansson	30/383
4,483,072	11/1984	Nagashima et al.	30/381
4,571,833	2/1986	Nagashima	30/381

FOREIGN PATENT DOCUMENTS

2856599	7/1979	Fed. Rep. of Germany	30/384
---------	--------	----------------------------	--------

OTHER PUBLICATIONS

Stihl American, Inc., Mailer Ad., Model 041AV, Chain Saw.
Chain Saw Age, Associated Publications, Inc., Jan. 1984.

Primary Examiner—Susan J. Lucas
Assistant Examiner—Clare E. Heflin
Attorney, Agent, or Firm—Stevens, Davis, Miller & Mosher

[57] CLAIM

The ornamental design for a power chainsaw motor housing, as shown.

DESCRIPTION

FIG. 1 is a front, right side and top perspective view of a power chainsaw motor housing showing our new design;
FIG. 2 is a rear, left side and bottom perspective view thereof.
FIG. 3 is a front perspective view thereof;
FIG. 4 is a rear perspective view thereof;
FIG. 5 is a right side perspective view thereof;
FIG. 6 is a left side perspective view thereof;
FIG. 7 is a top perspective view thereof; and
FIG. 8 is a bottom perspective view thereof.

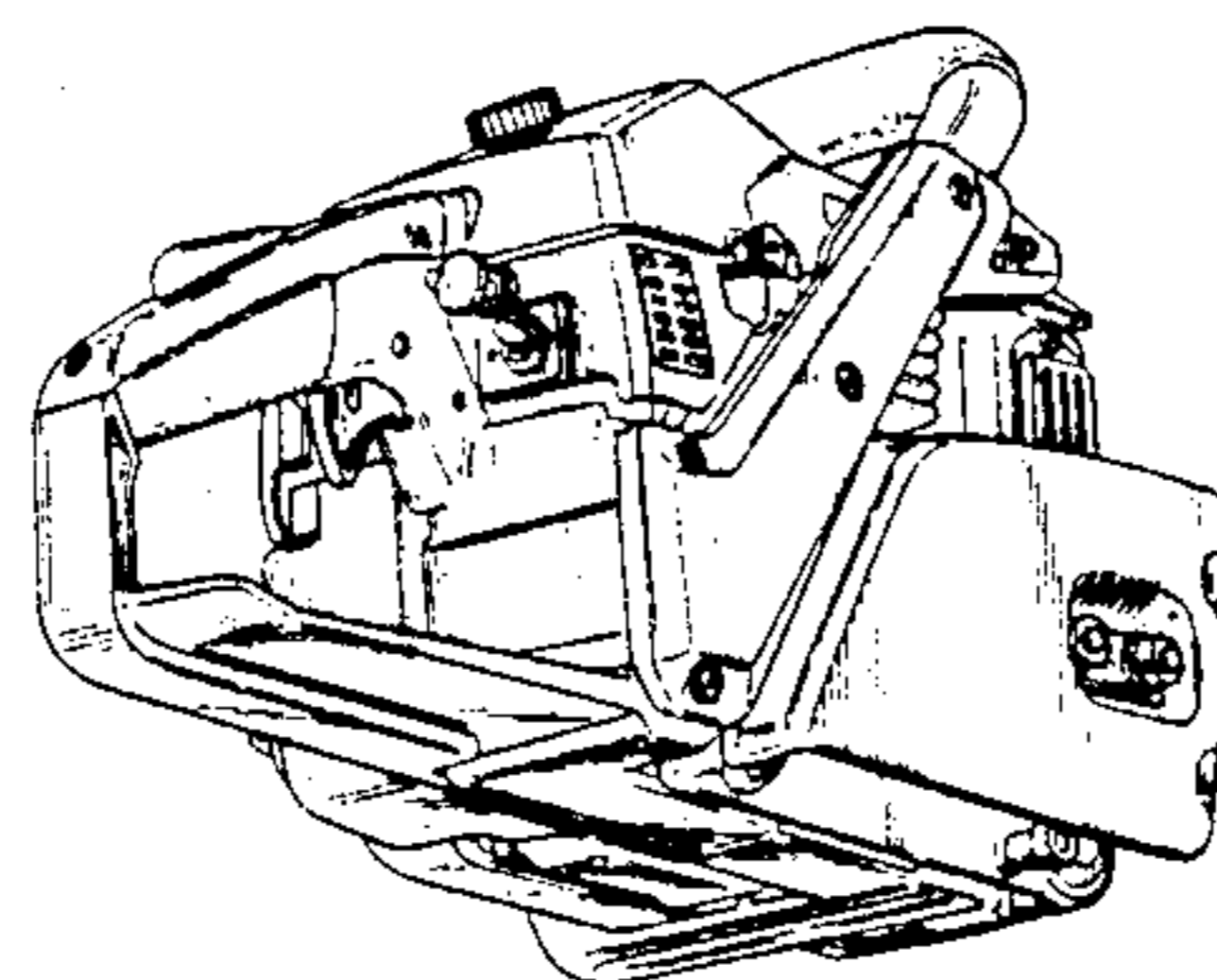
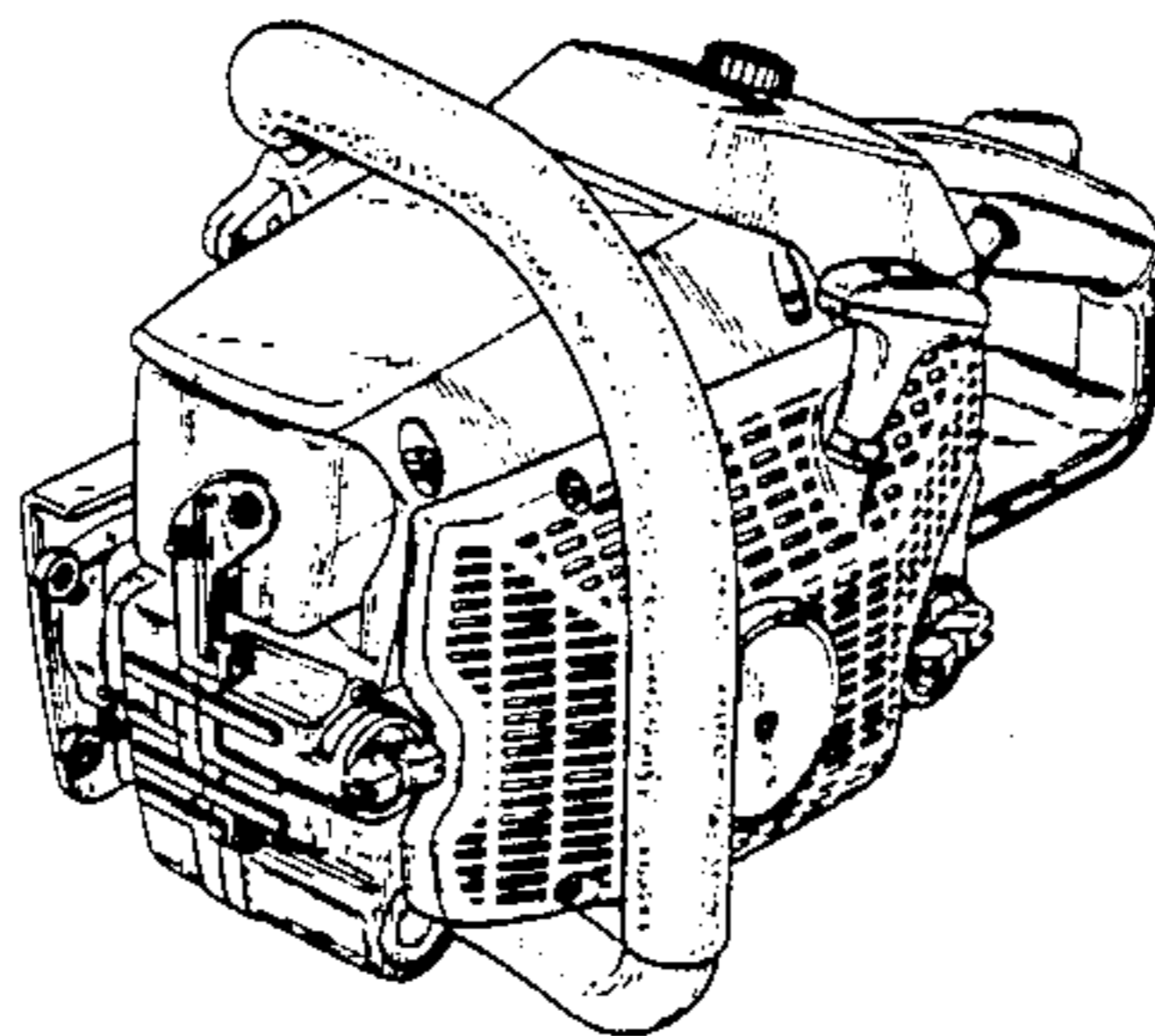


FIG. 1

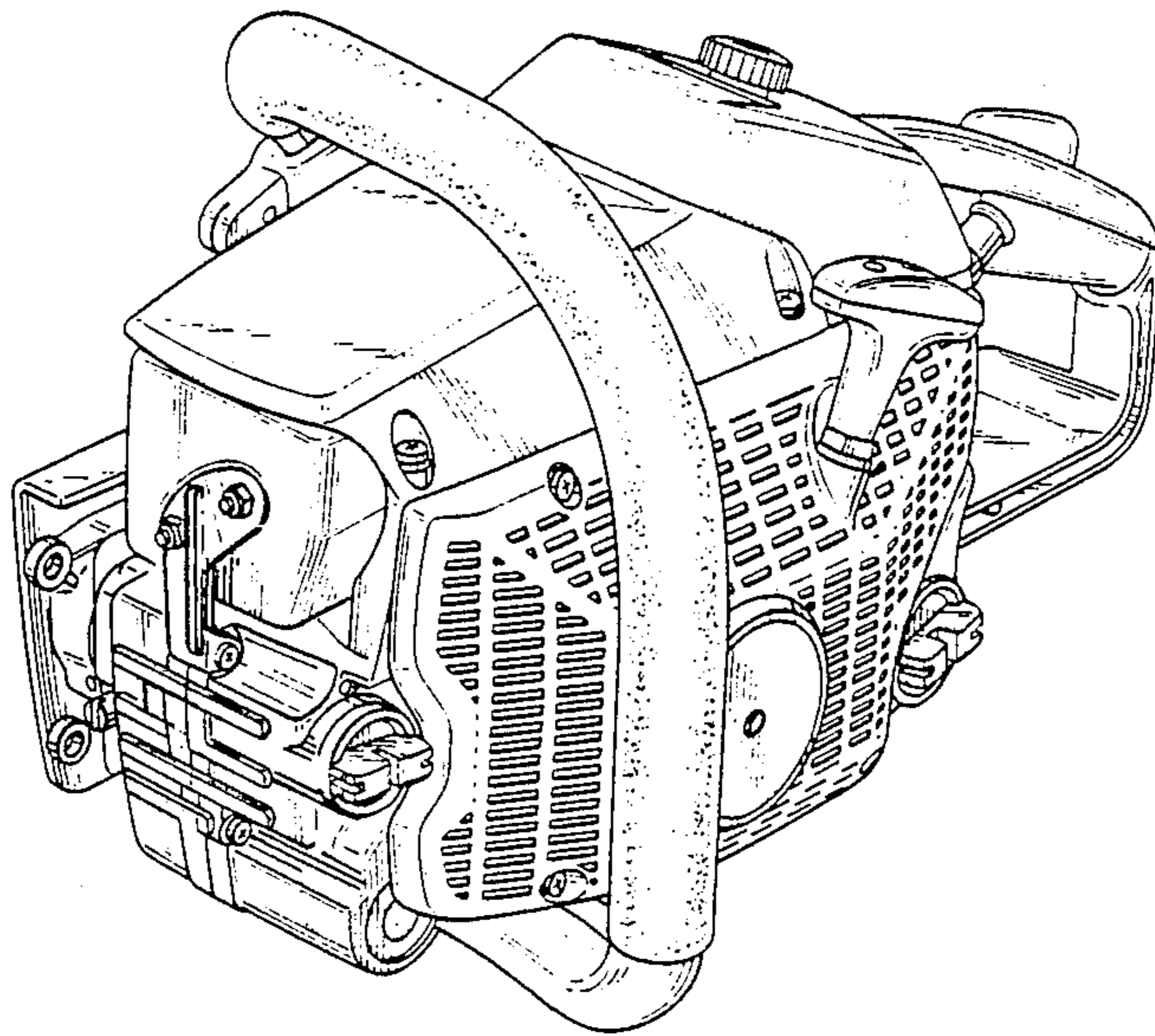


FIG. 2

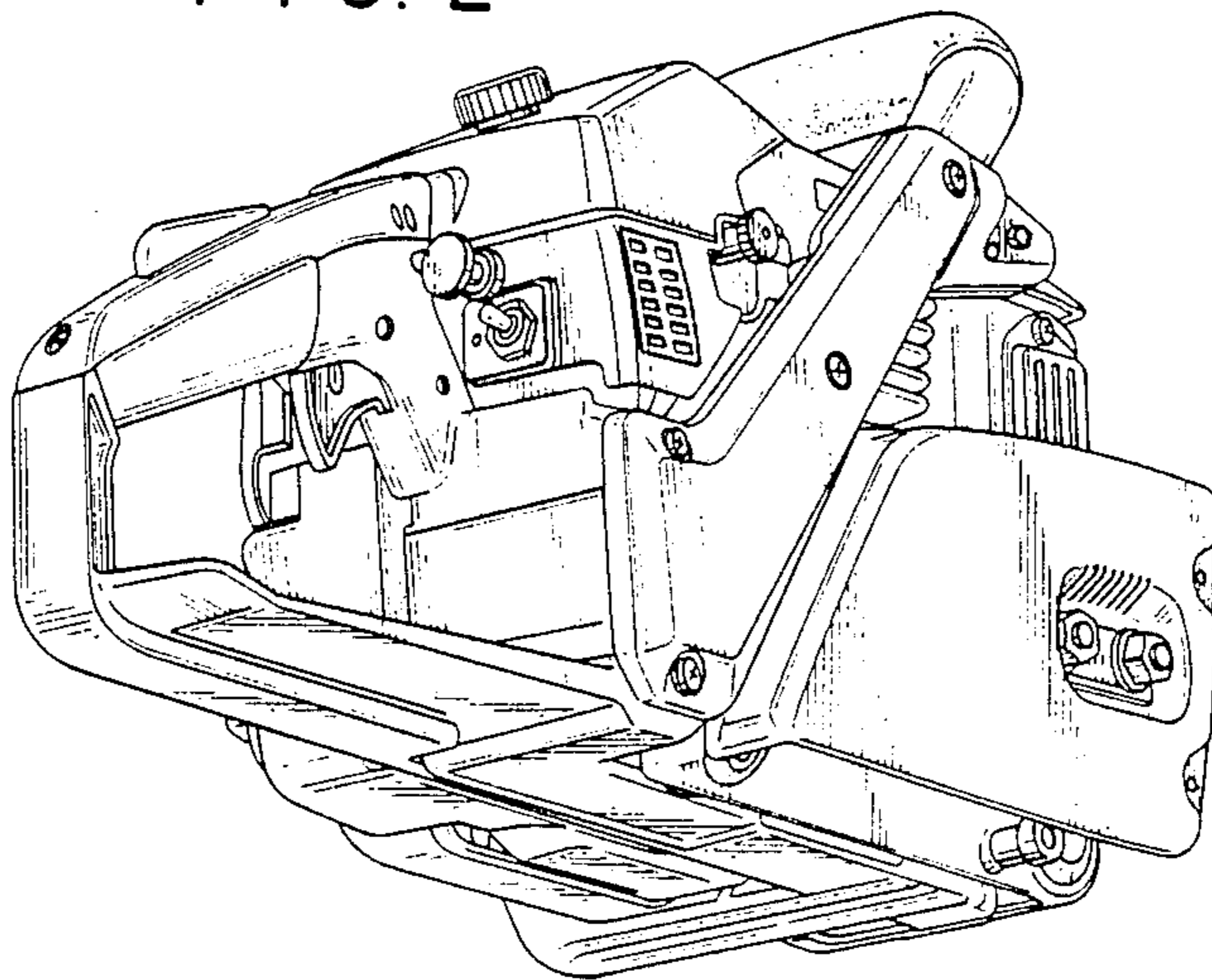


FIG. 3

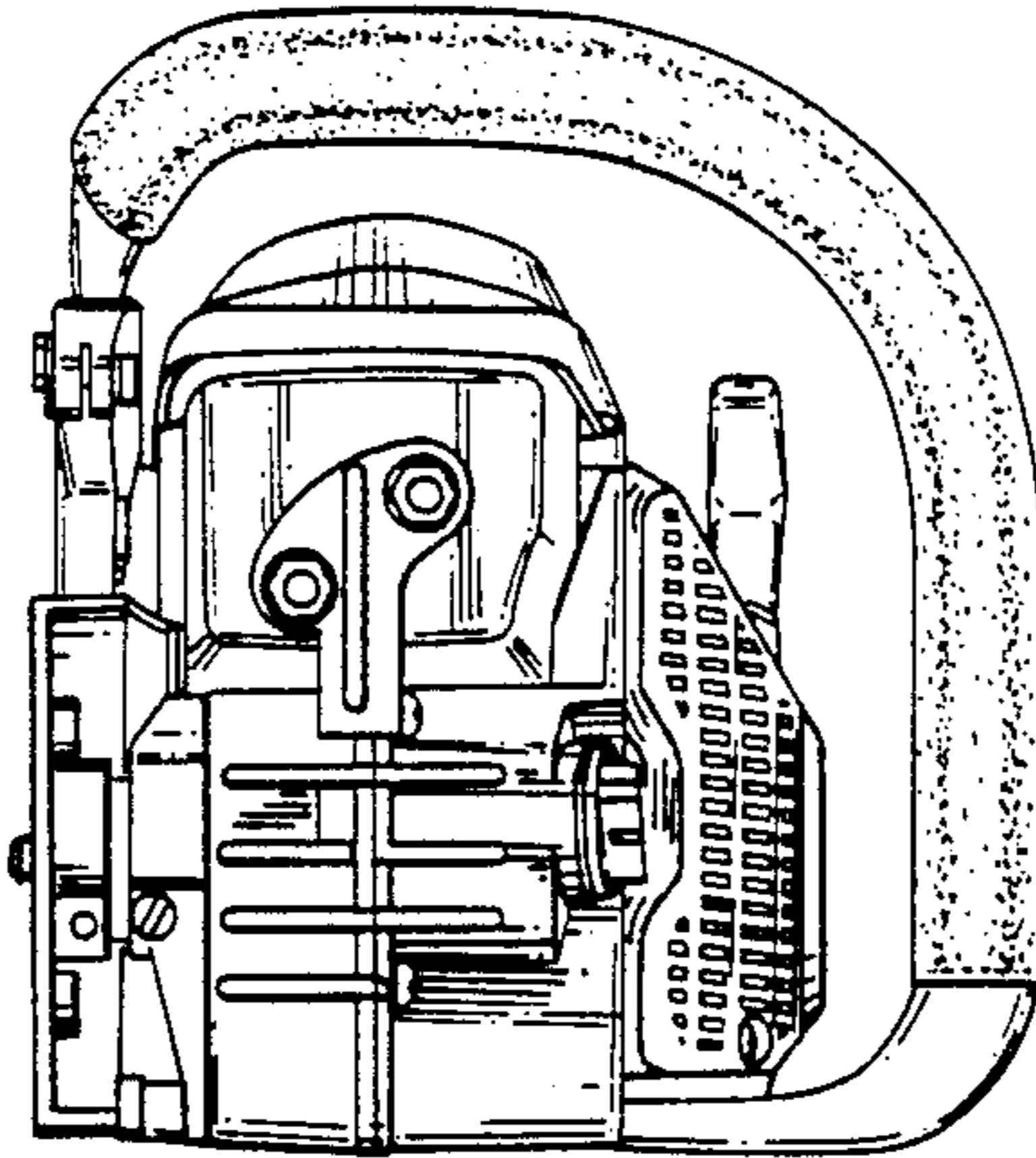


FIG. 4

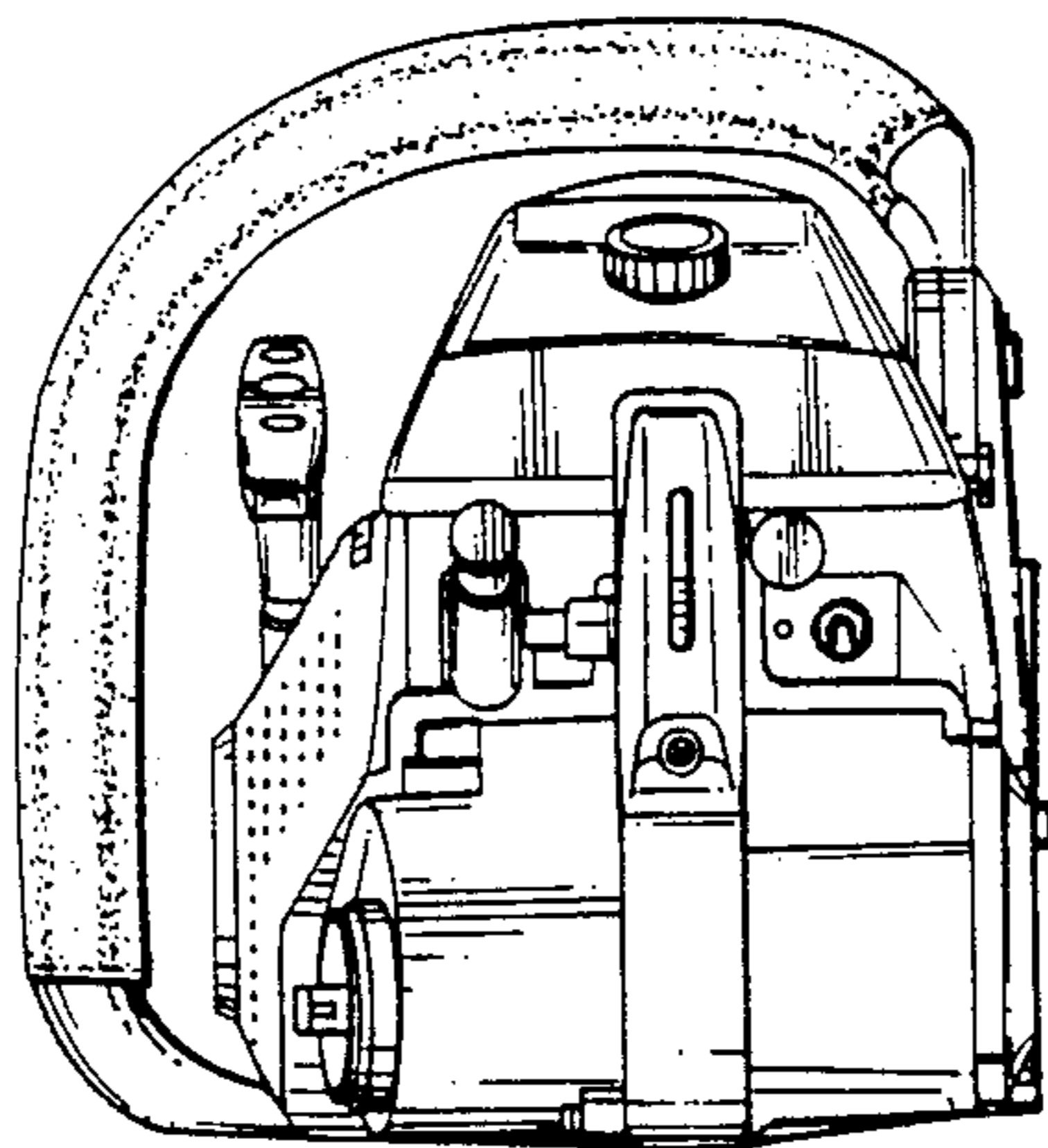


FIG. 5

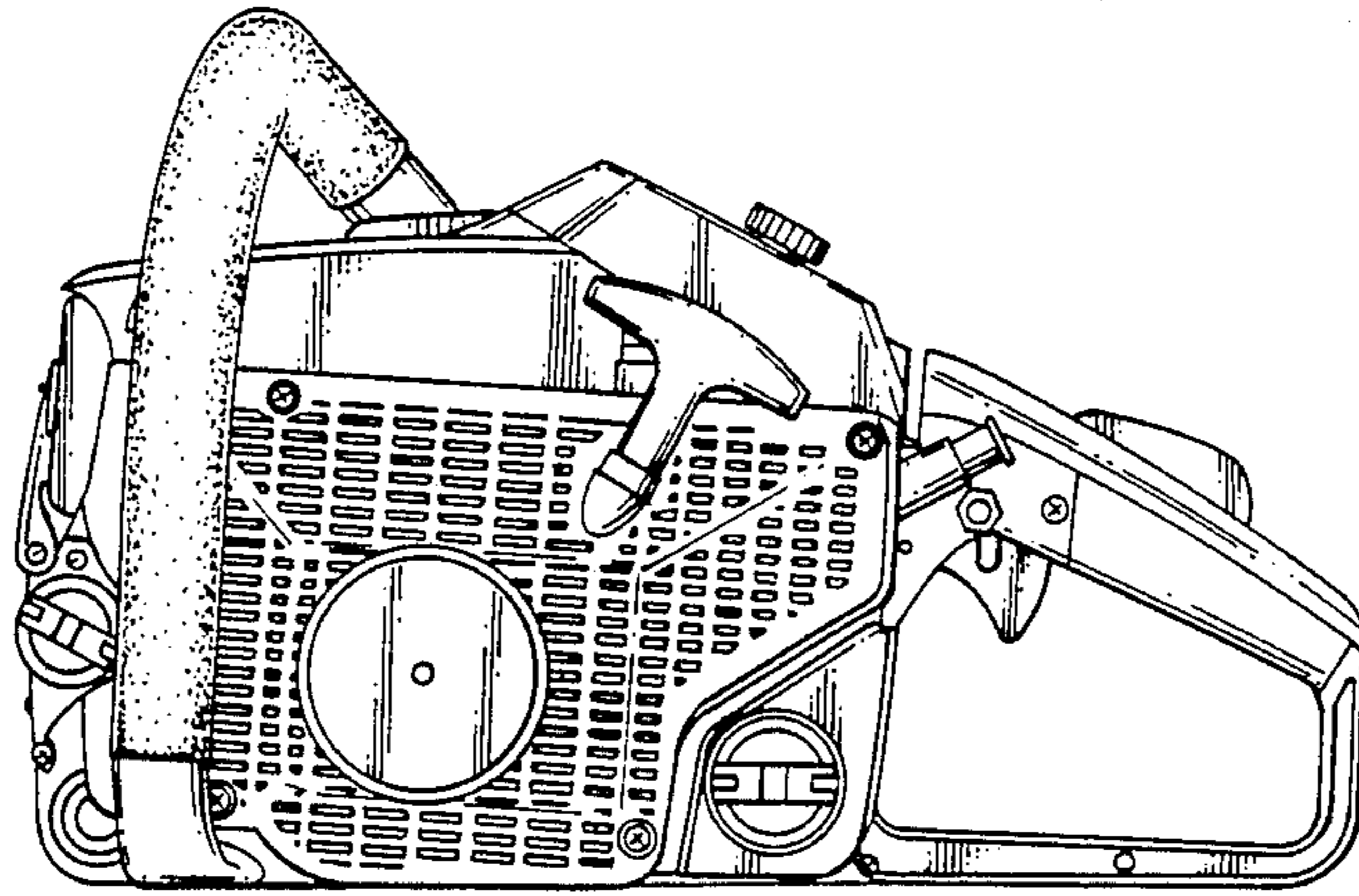


FIG. 6

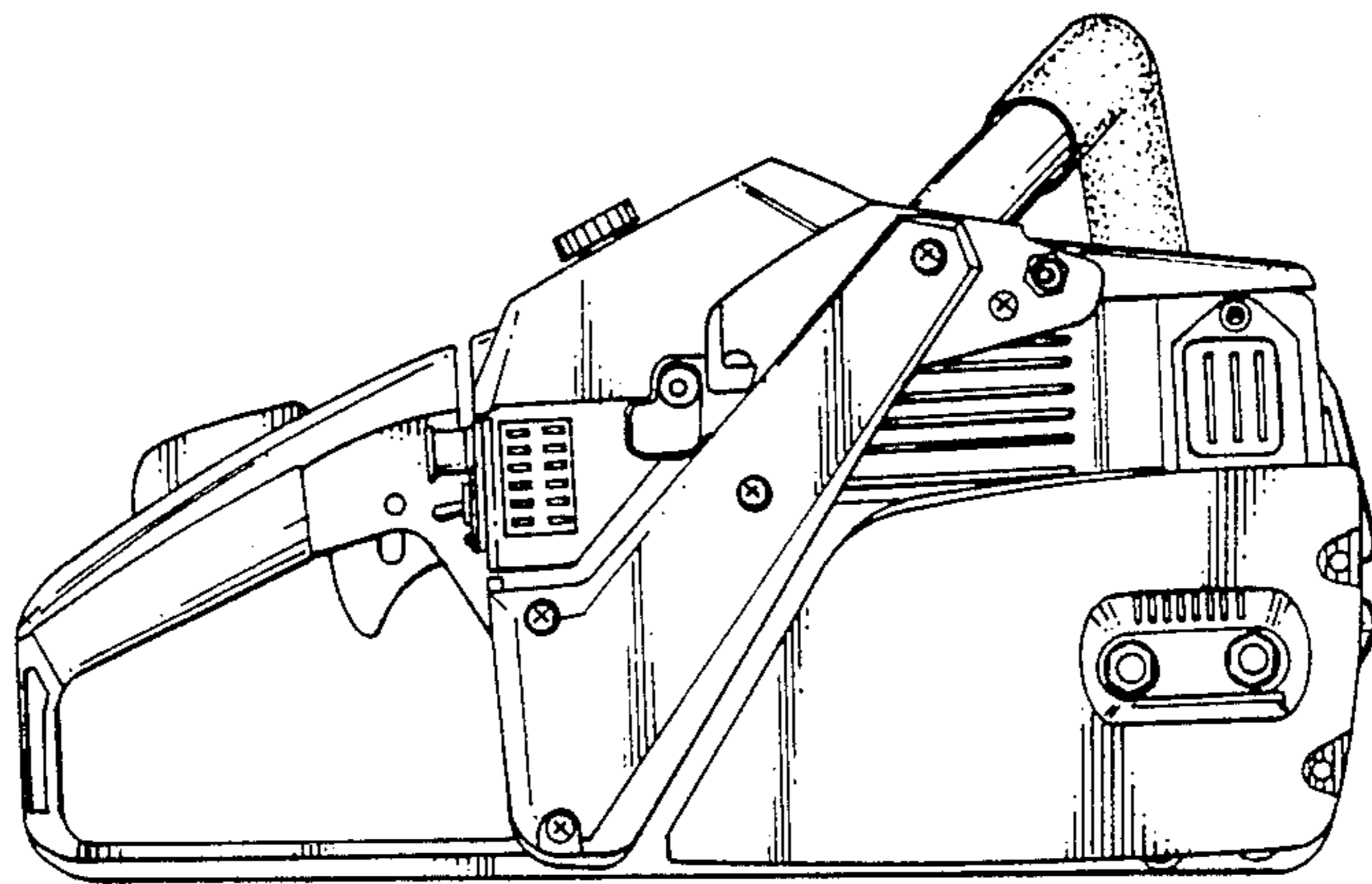


FIG. 7

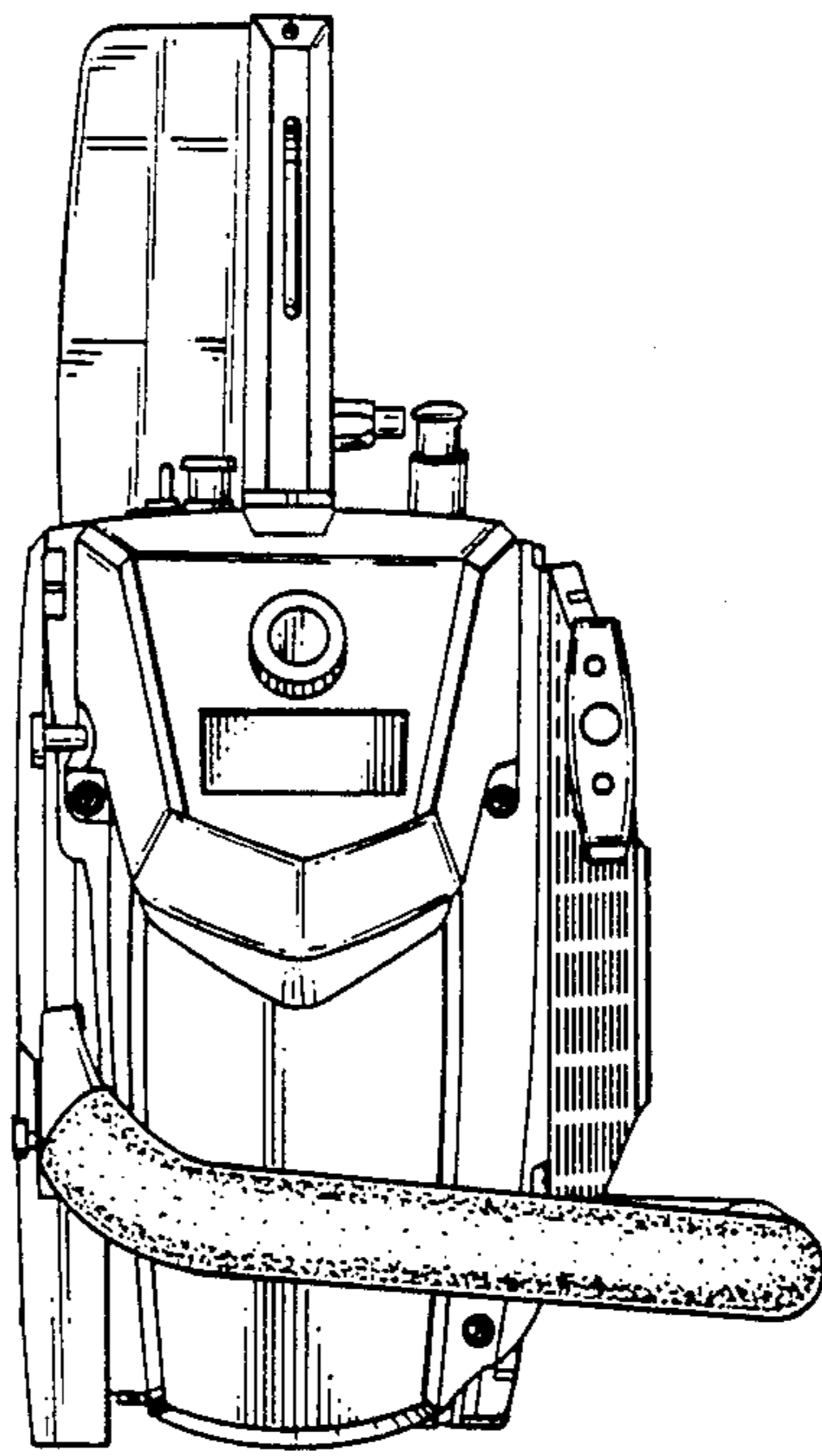


FIG. 8

