

[54] STORAGE AND DISPLAY STAND FOR HOLE CUTTING SAWS

[76] Inventor: Roger J. Despres, 9630 El Rey Ave., No. 13, Fountain Valley, Calif. 92708

[**] Term: 14 Years

[21] Appl. No.: 805,217

[22] Filed: Nov. 15, 1985

[52] U.S. Cl. D6/469

[58] Field of Search D6/449, 450, 466, 467, D6/468, 469; 211/69, 70.6, 128; 248/314; D34/46

[56] References Cited

U.S. PATENT DOCUMENTS

- D. 76,726 10/1928 Waldman D6/450
- D. 91,253 12/1933 Soldani D6/469
- D. 217,851 6/1970 Yankovich D34/46

- D. 269,836 7/1983 Pruzan D6/467
- D. 272,197 1/1984 Orenstein D6/469 X
- 2,867,048 1/1959 Holtzman D6/467 X
- 3,300,055 1/1967 Rohr 211/128 X

Primary Examiner—Carmen H. Vales
Attorney, Agent, or Firm—Francis X. LoJacono

[57] CLAIM

The ornamental design for a storage and display stand for hole cutting saws, as shown and described.

DESCRIPTION

FIG. 1 is a top-plan view of a storage and display stand for hole cutting saws, showing my new design; FIG. 2 is a front-elevational view thereof; FIG. 3 is a bottom-plan view thereof; FIG. 4 is a cross-sectional view taken substantially along line 4—4 of FIG. 2; FIG. 5 is a side-elevational view thereof; and FIG. 6 is a rear-elevational view thereof.

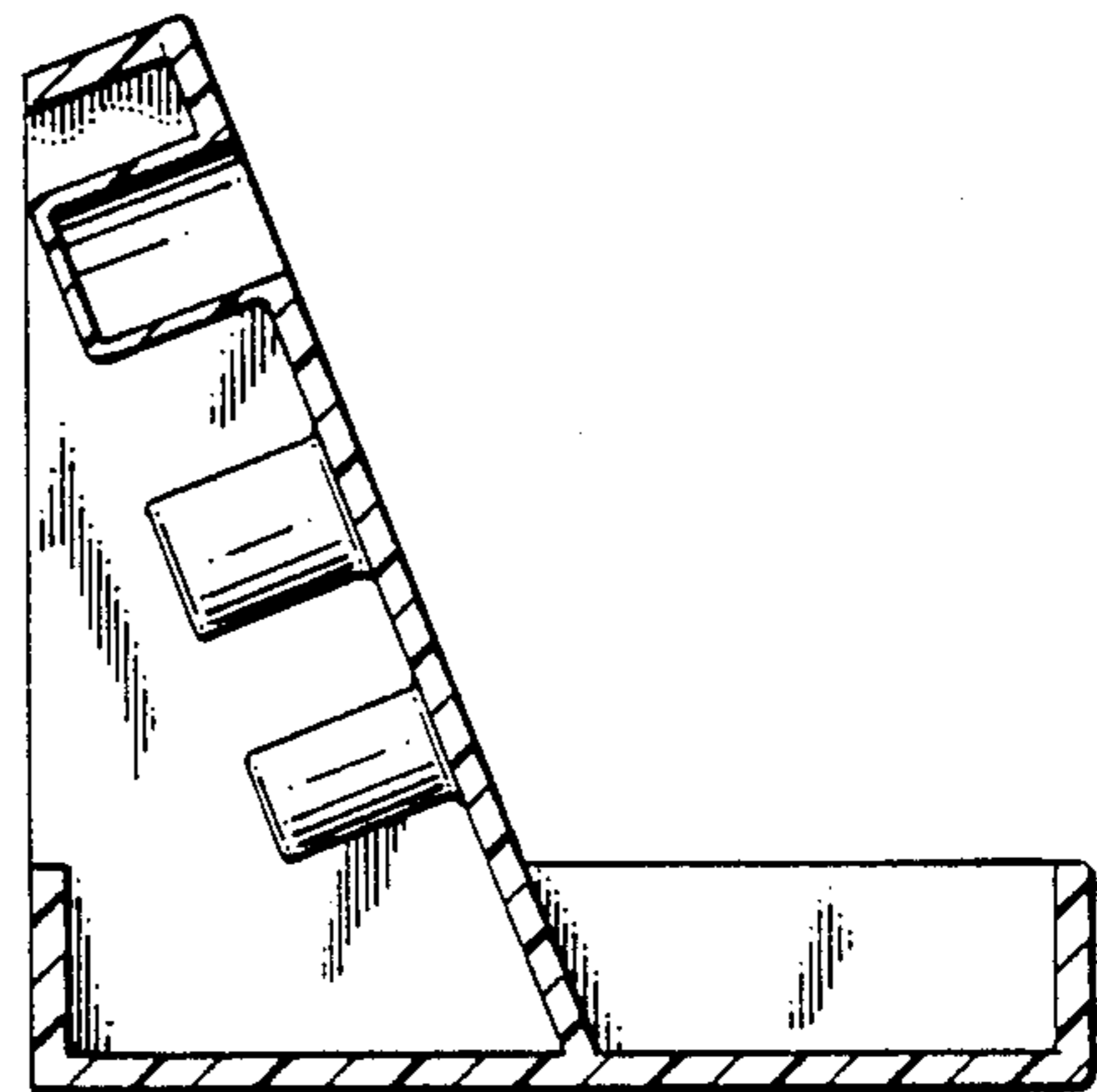
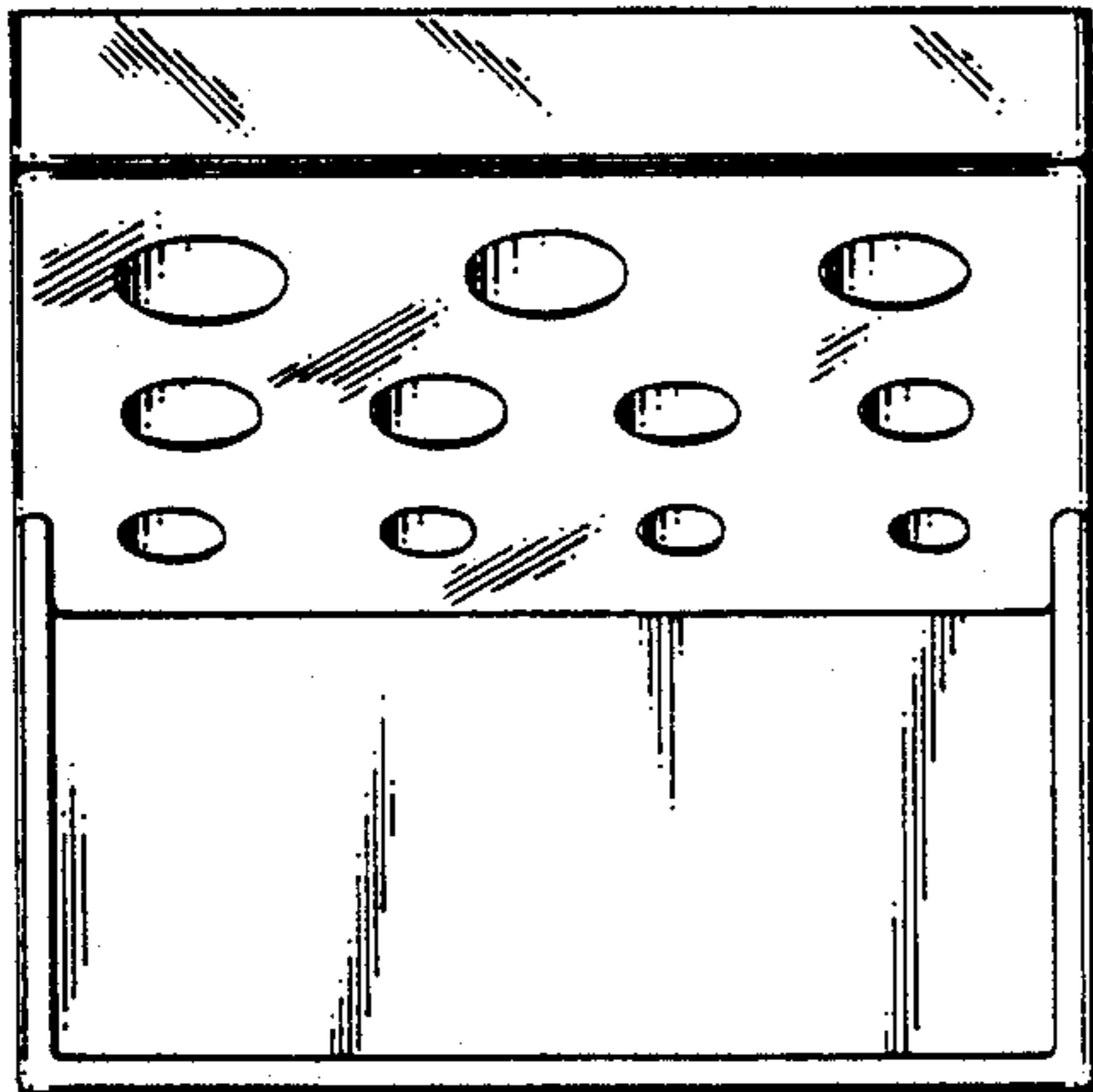


FIG. 1

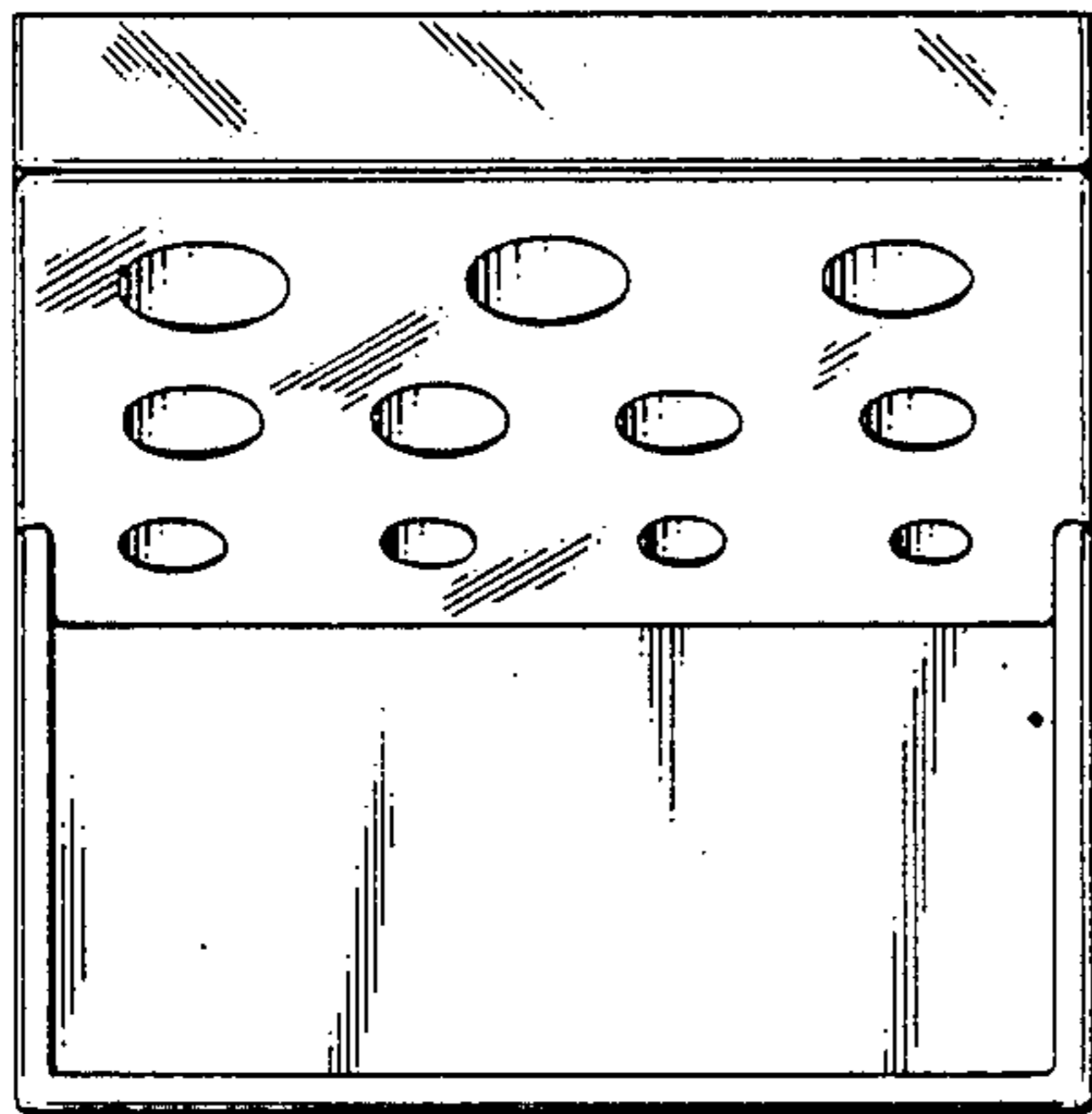


FIG. 4

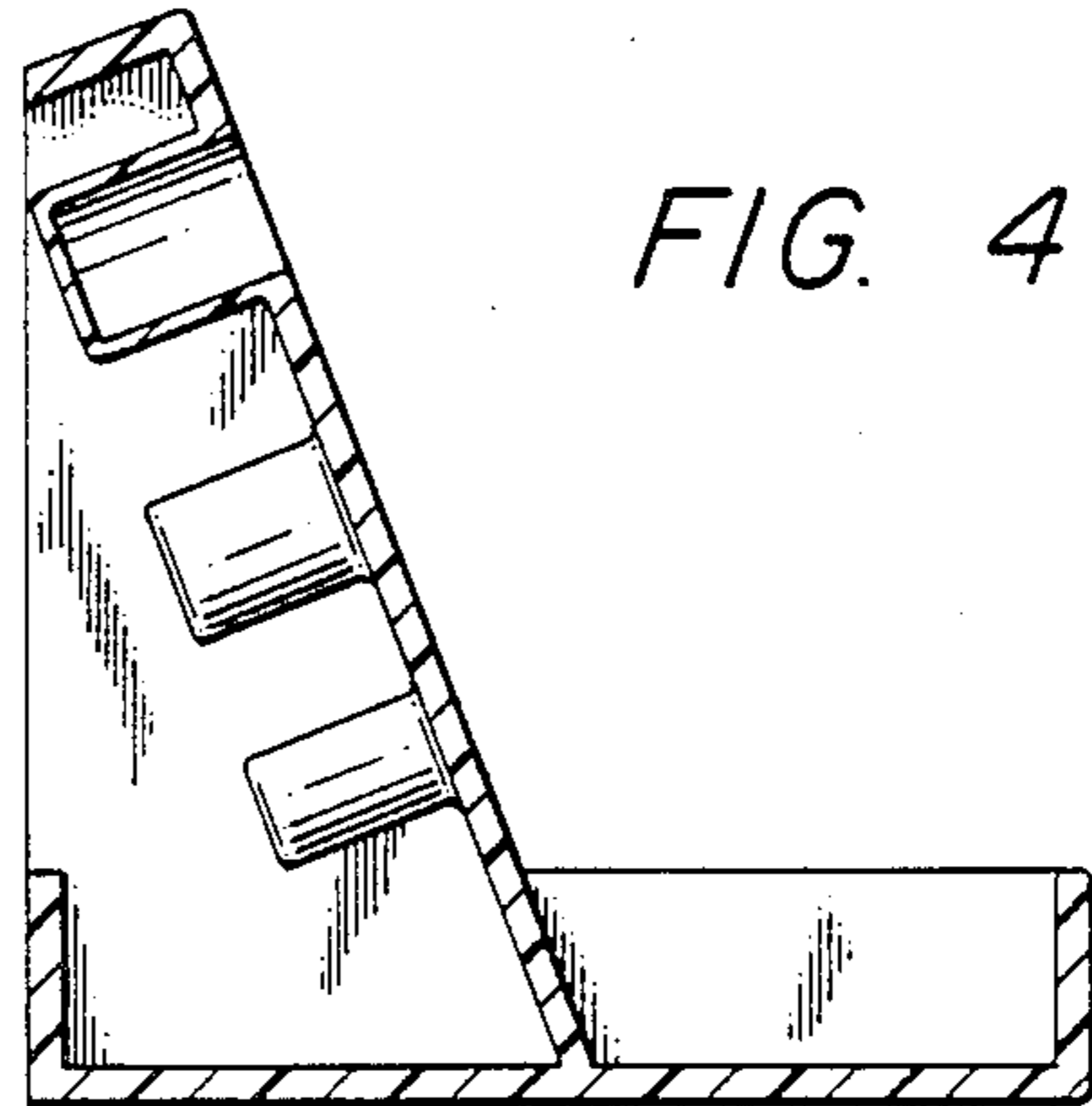


FIG. 2

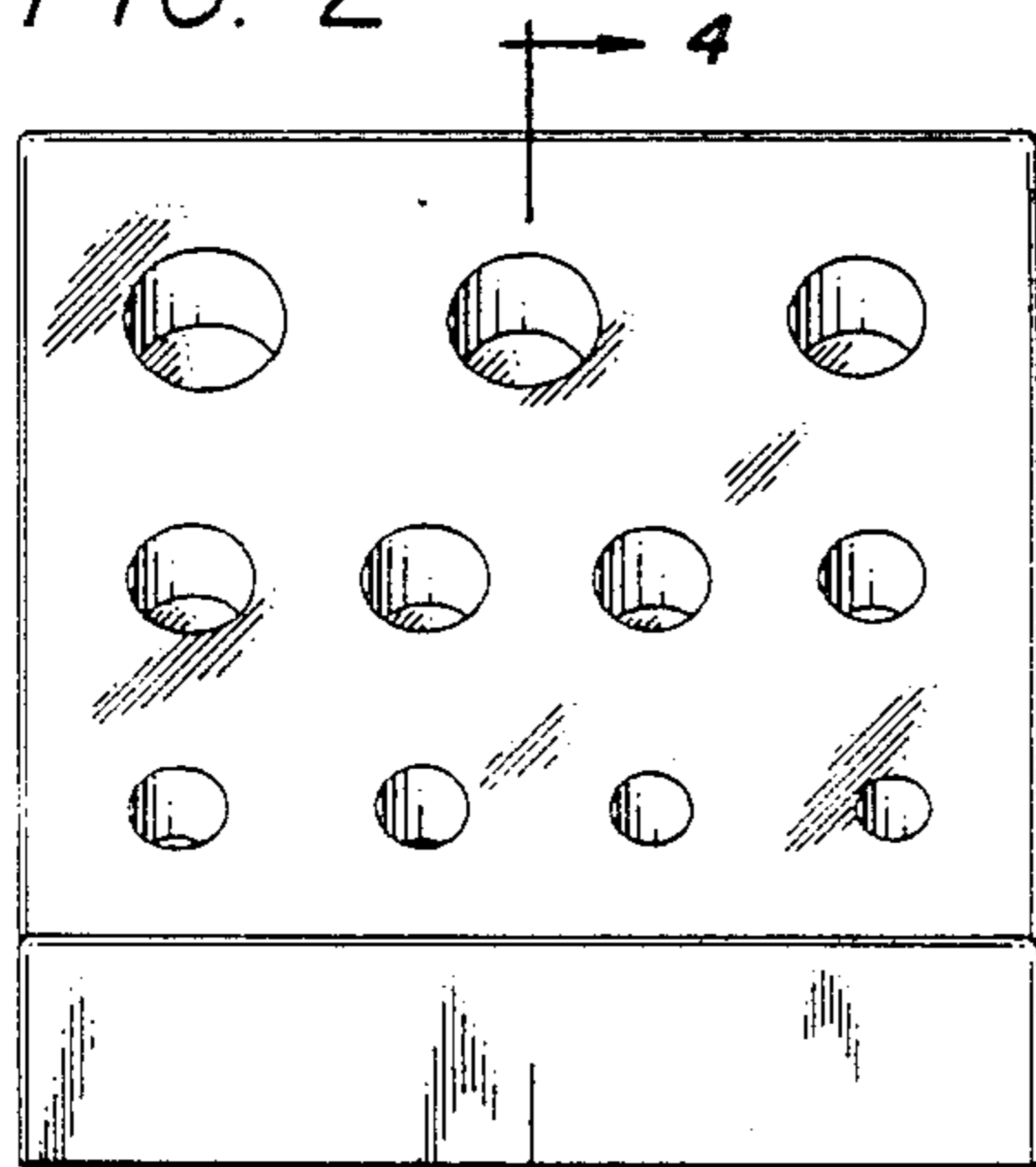


FIG. 5

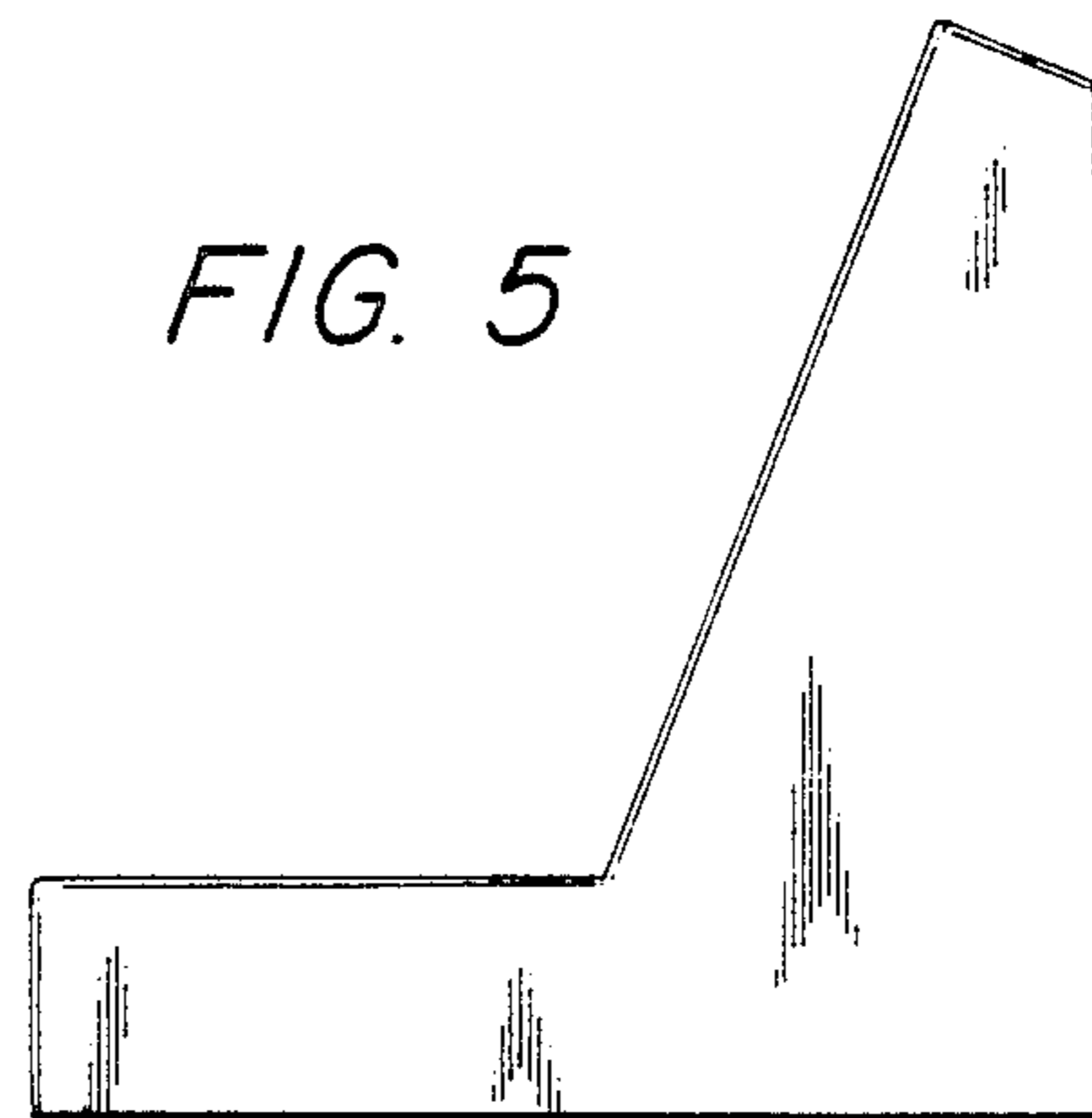


FIG. 3

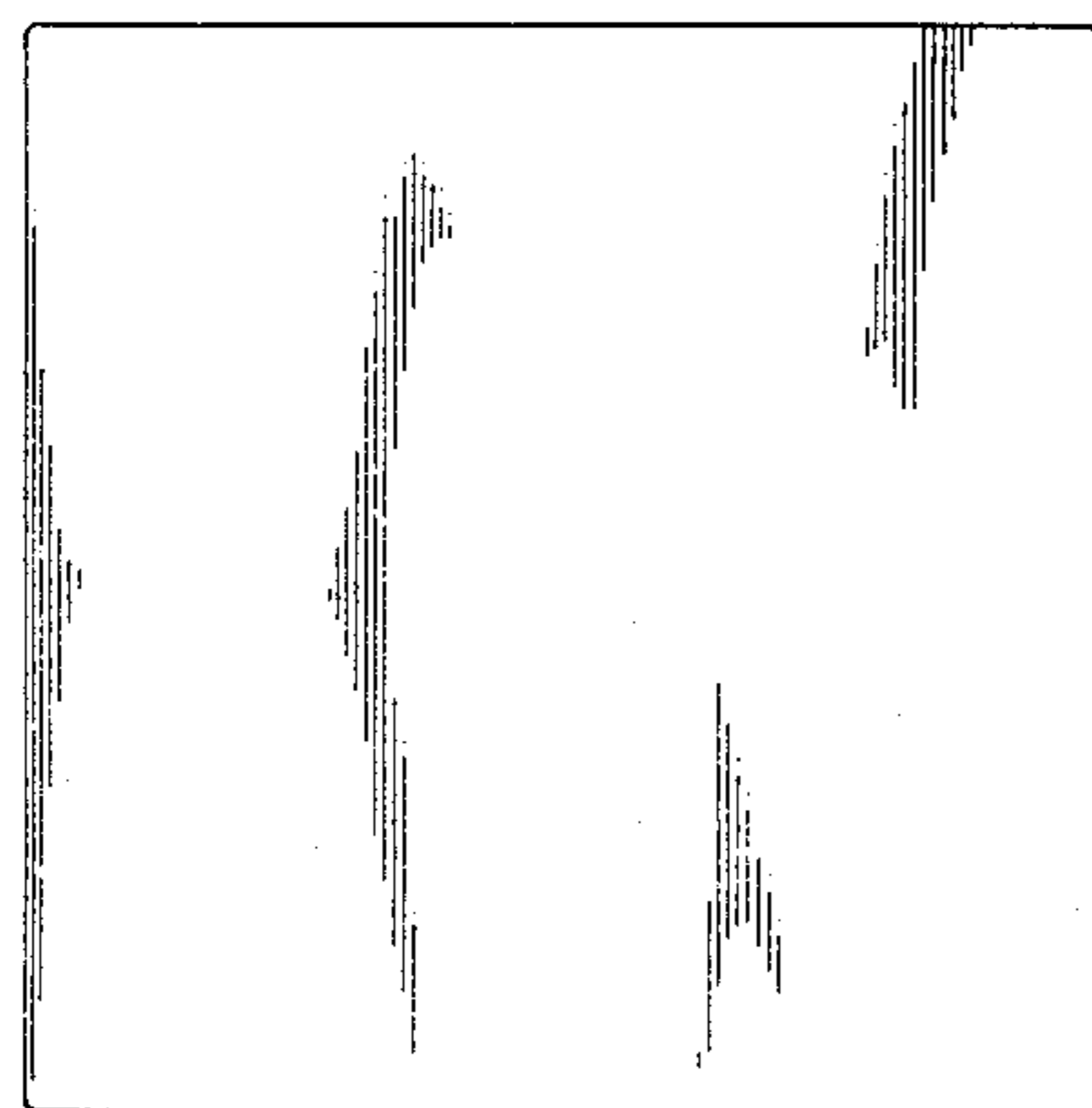


FIG. 6

