

[54] CHAIR

[76] Inventor: Peter de Boer, Pr.Margrietplantsoen
45, 1403 SV Bussum, Netherlands

[*] Notice: The portion of the term of this patent
subsequent to Sep. 1, 2001 has been
disclaimed.

[**] Term: 14 Years

[21] Appl. No.: 683,682

[22] Filed: Dec. 19, 1984

[30] Foreign Application Priority Data

Jun. 22, 1984 [XB] Benelux 59102 02
[52] U.S. Cl. D6/366
[58] Field of Search D6/364, 365, 366, 367,
D6/368

[56]

References Cited

U.S. PATENT DOCUMENTS

D. 249,303 9/1978 Ruf D6/366
D. 272,205 1/1984 de Boer D6/366
D. 273,917 5/1984 Pelly et al. D6/366
D. 276,481 11/1984 Helmholdt D6/366
D. 281,292 11/1985 Engel et al. D6/380

OTHER PUBLICATIONS

Interiors, May 1982, p. 136, chair in Panel B.

Primary Examiner—Bruce W. Dunkins
Attorney, Agent, or Firm—John P. Snyder

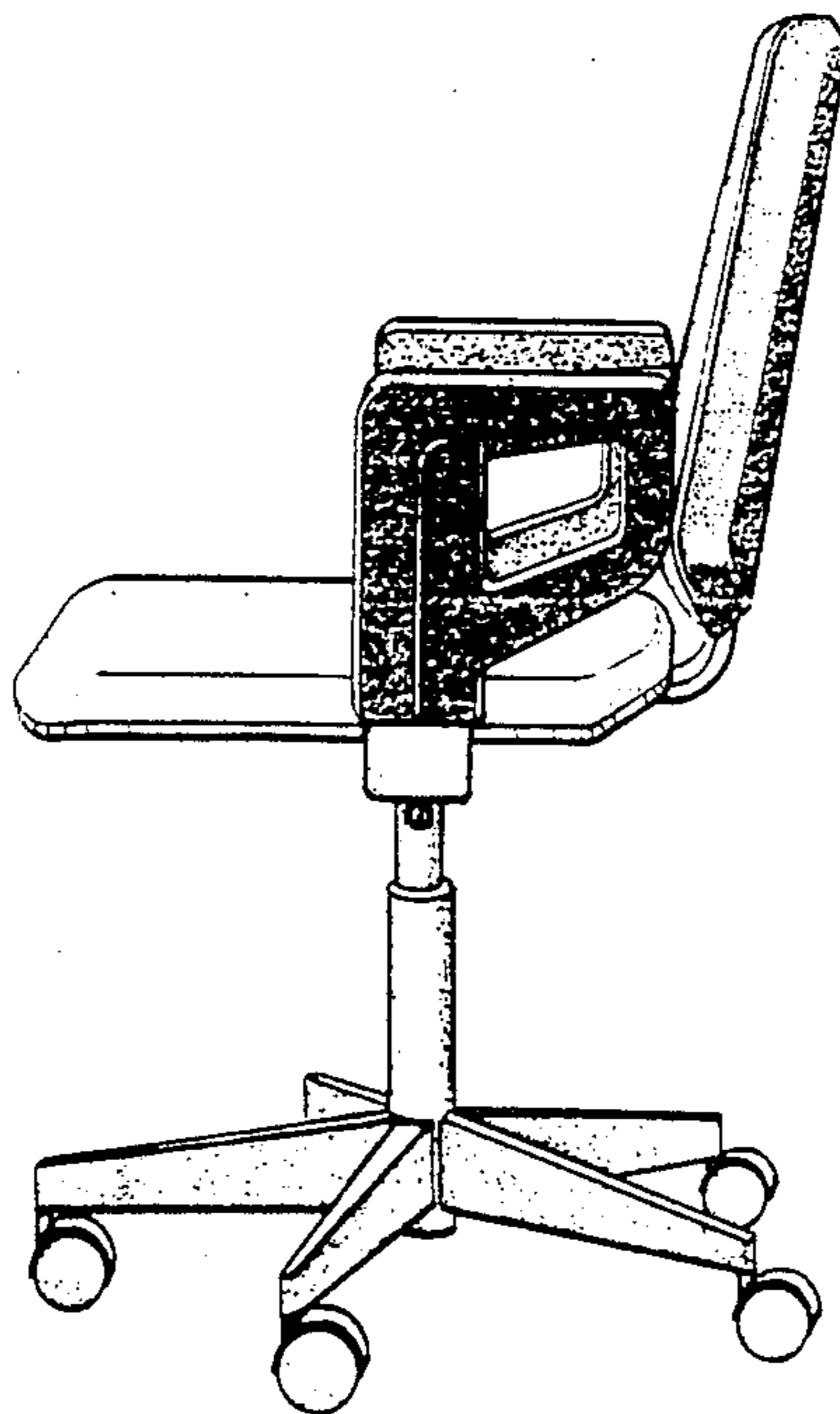
[57]

CLAIM

The ornamental design for a chair, as shown and de-
scribed.

DESCRIPTION

FIG. 1 is a front perspective view of a chair showing
my design;
FIG. 2 is a rear perspective view; and
FIG. 3 is a side perspective view thereof.
The side of the chair not shown is a mirror image of the
side shown in FIG. 3.



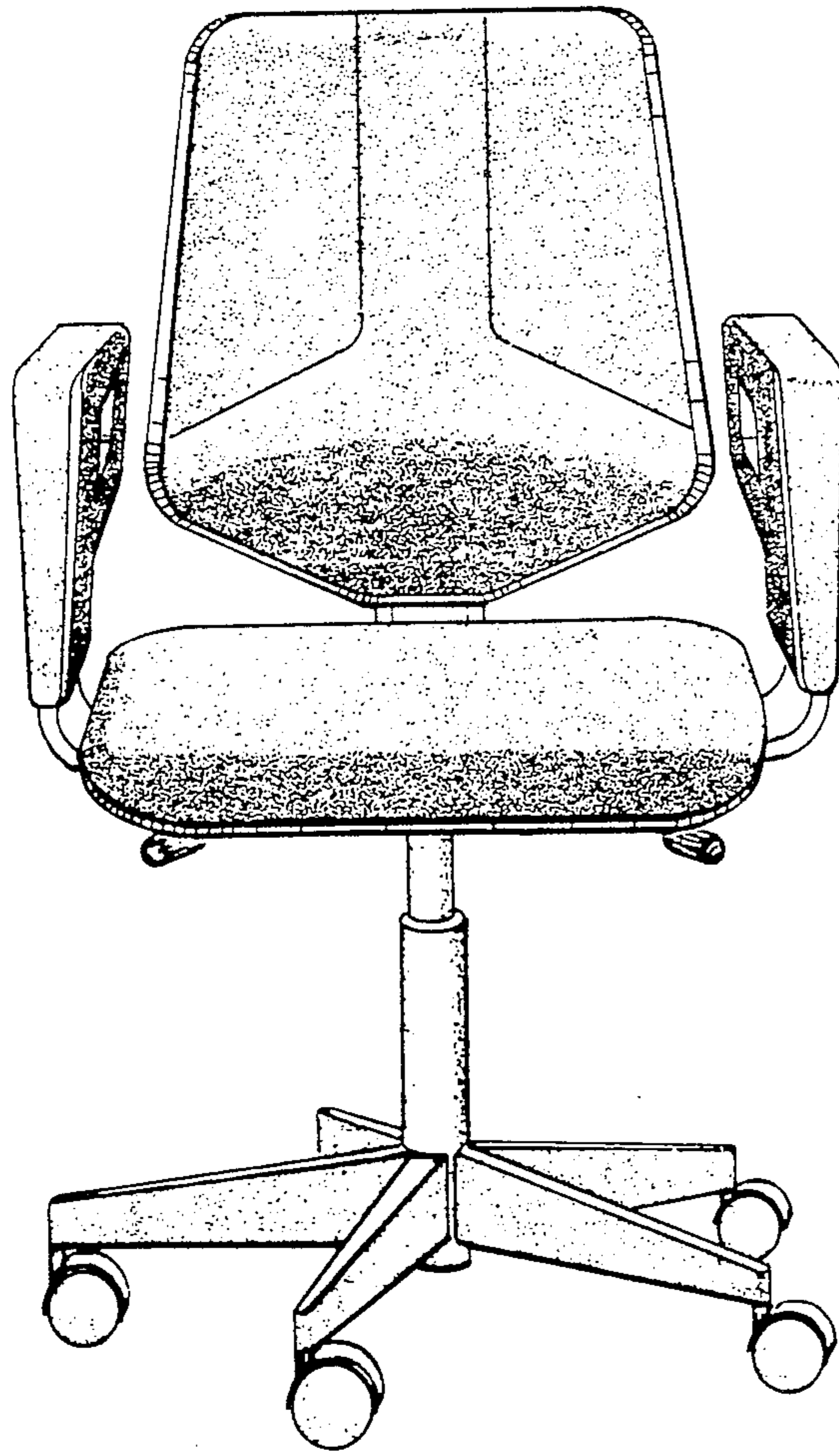


FIG. 1

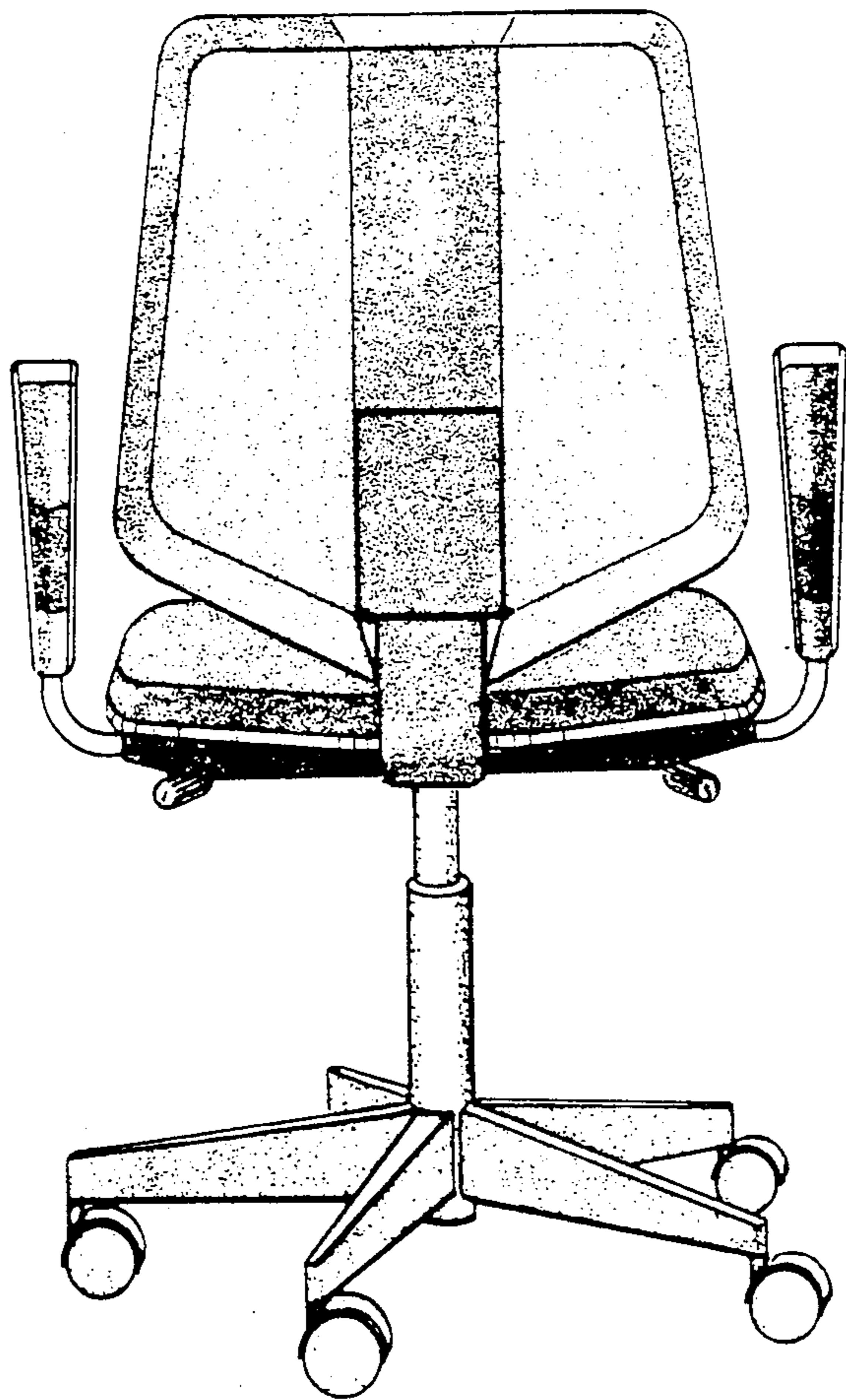


FIG. 2

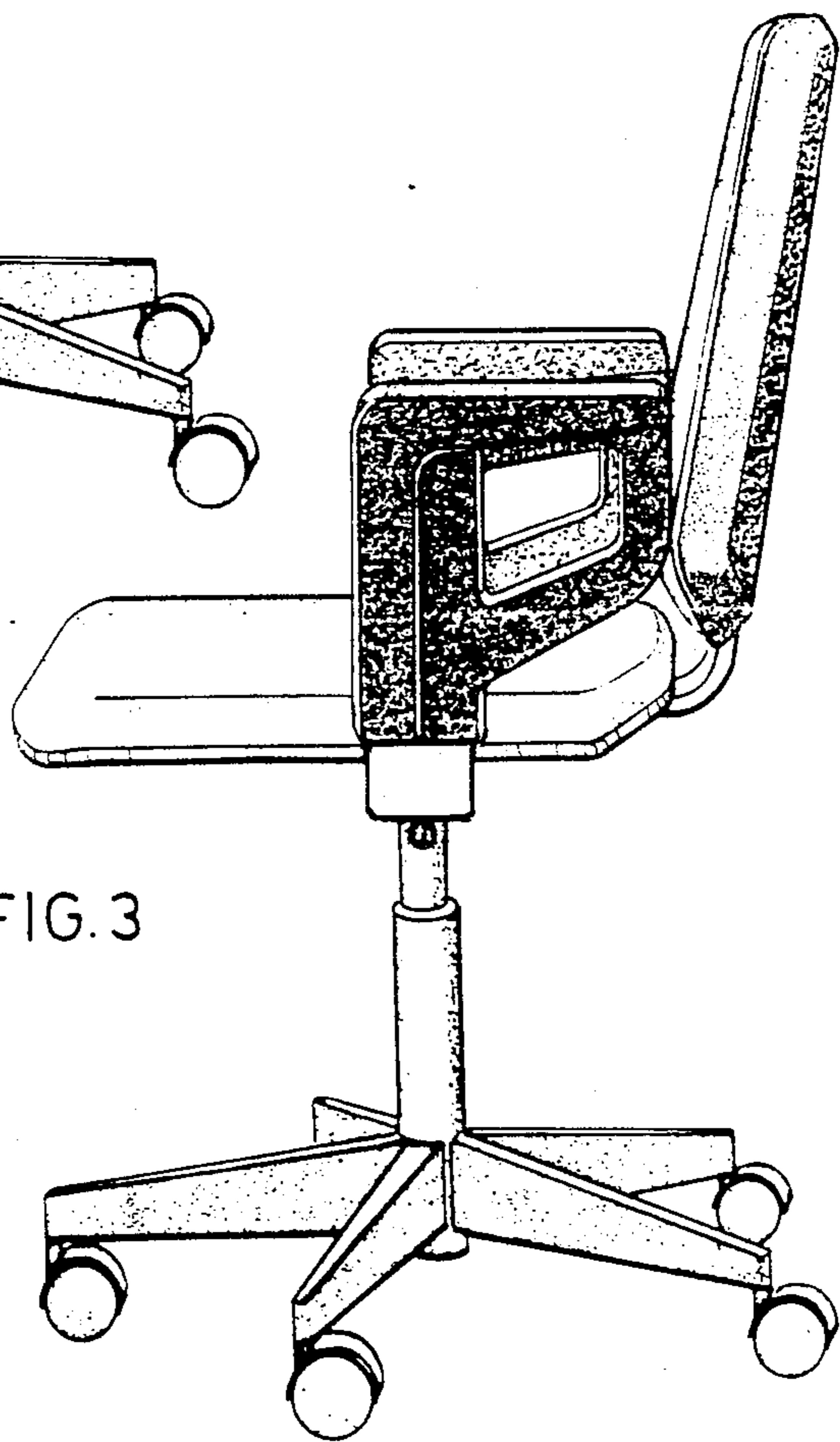


FIG. 3