

[54] PICTURE FRAME

[75] Inventor: Edgar A. Purdy, Easton, Pa.

[73] Assignee: MCS Industries, Inc., Easton, Pa.

[\*\*] Term: 14 Years

[21] Appl. No.: 752,270

[22] Filed: Jul. 5, 1985

[52] U.S. Cl. .... D6/310

[58] Field of Search ..... D6/300-302,  
D6/308-314; 40/10 D, 152

[56] References Cited

U.S. PATENT DOCUMENTS

- D. 142,985 11/1945 Brown ..... D6/301
- 4,145,826 5/1979 Shaw ..... D6/300 X

Primary Examiner—Bernard Ansher  
Assistant Examiner—Terry Pfeffer

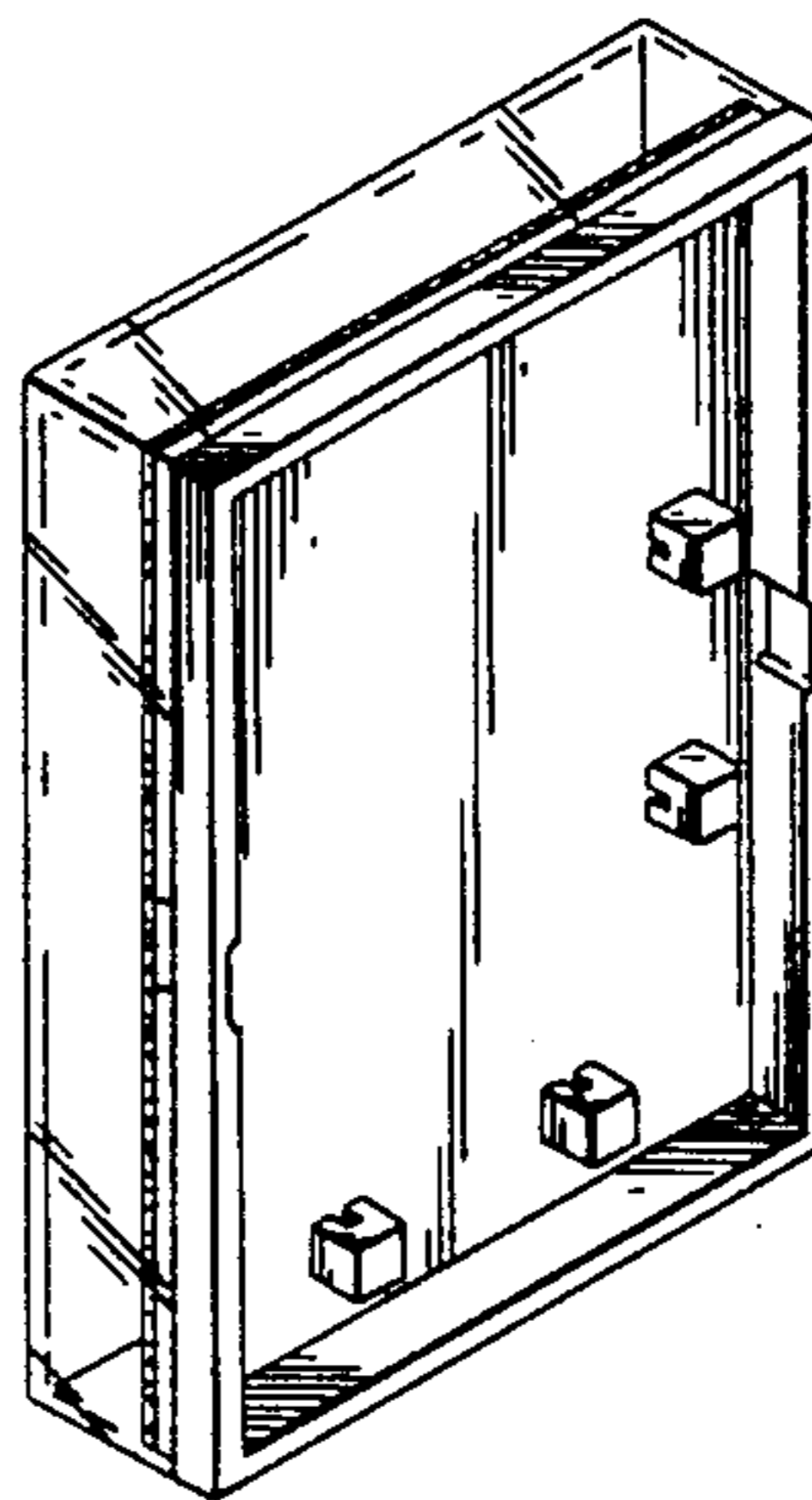
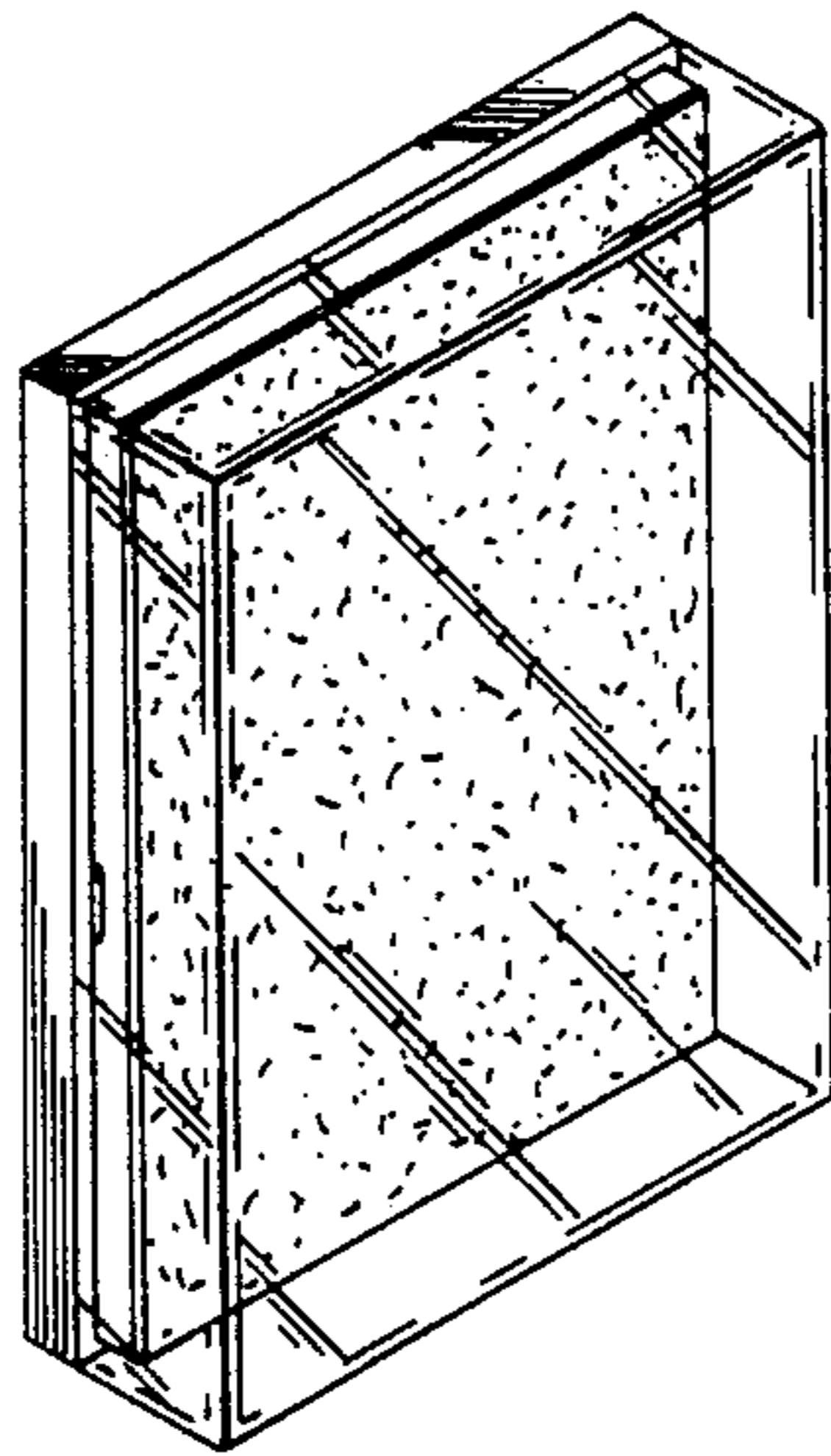
Attorney, Agent, or Firm—Seidel, Gonda, Goldhammer & Abbott

[57] CLAIM

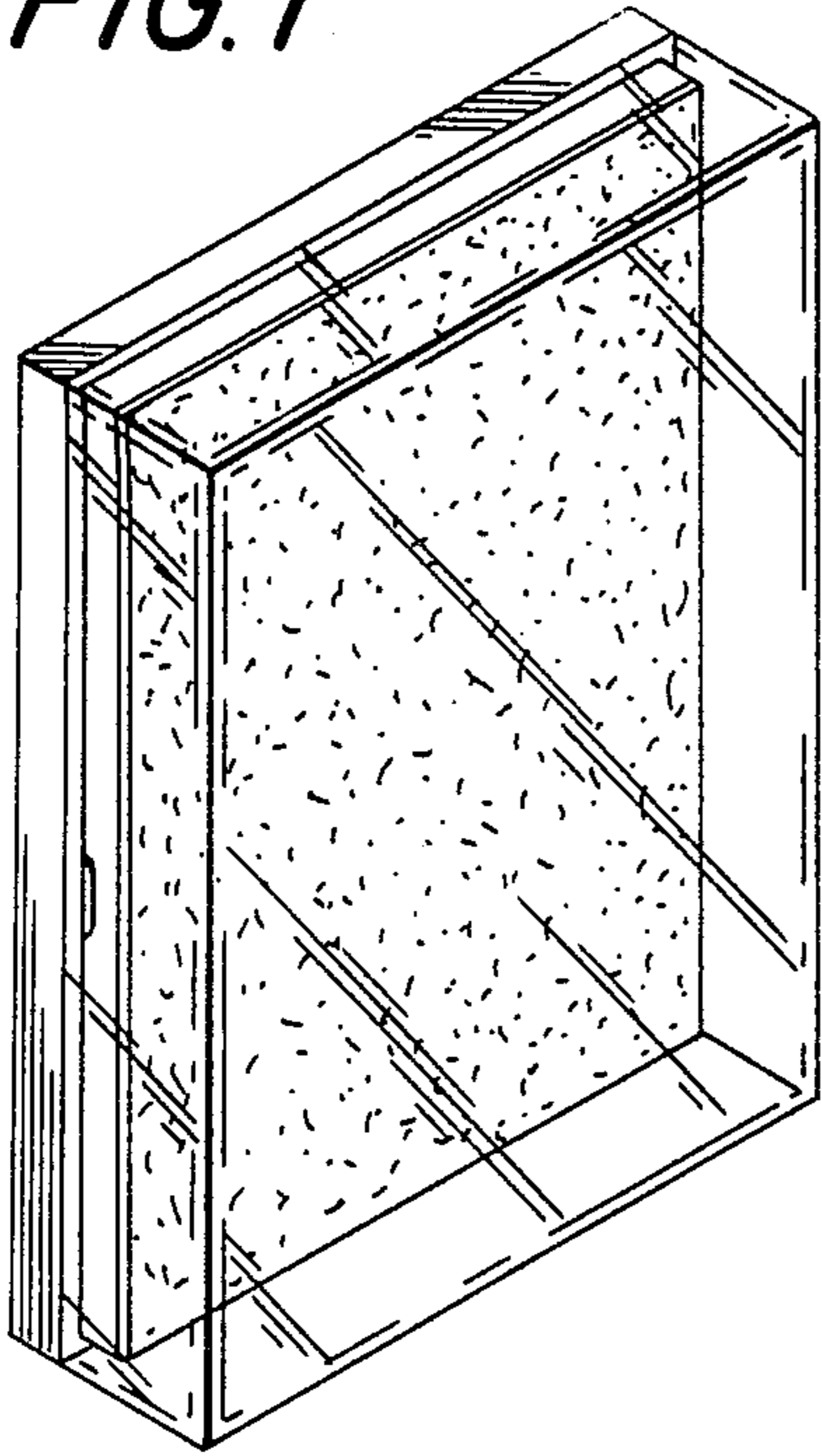
The ornamental design for picture frame, as shown and described.

DESCRIPTION

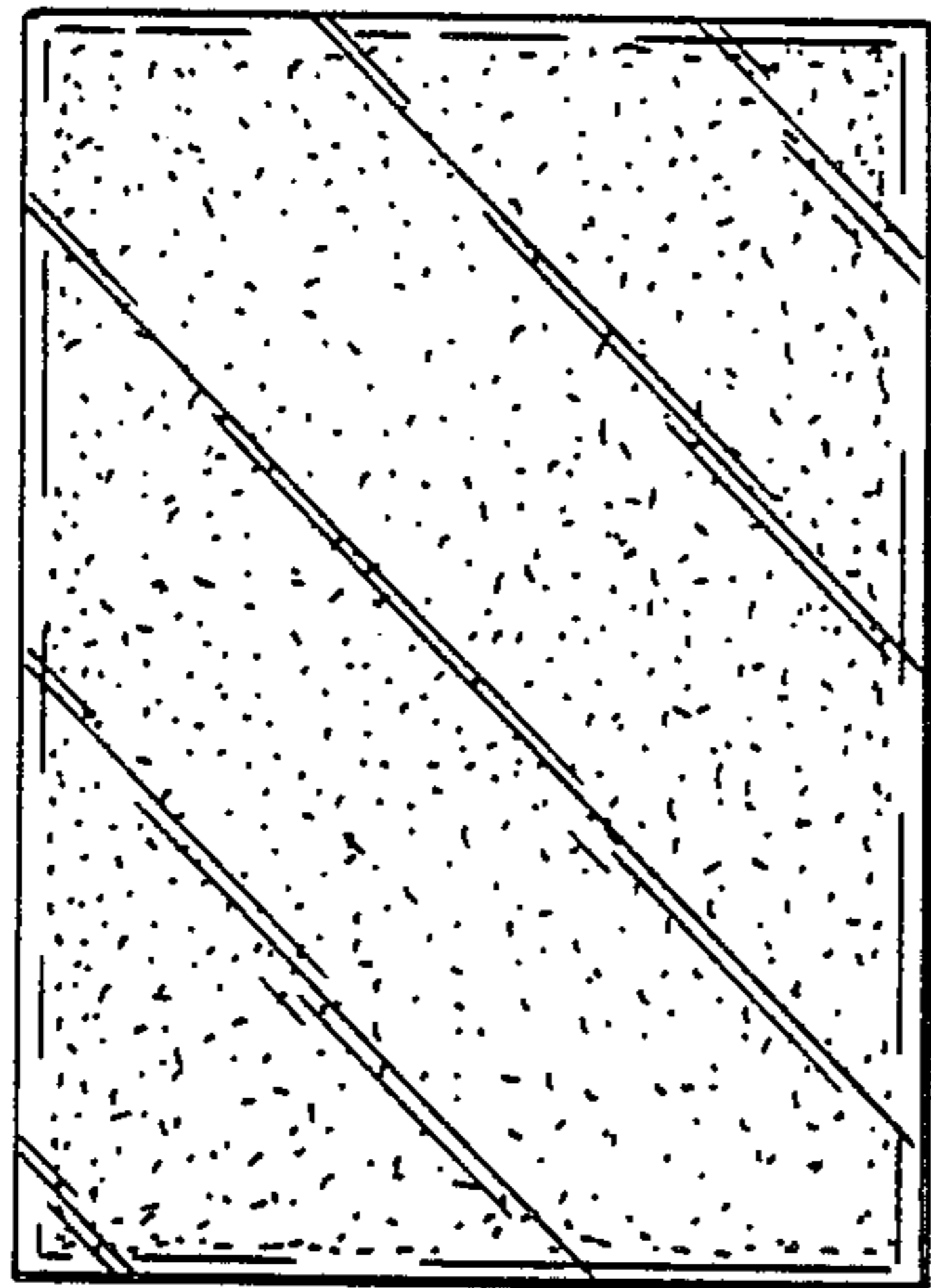
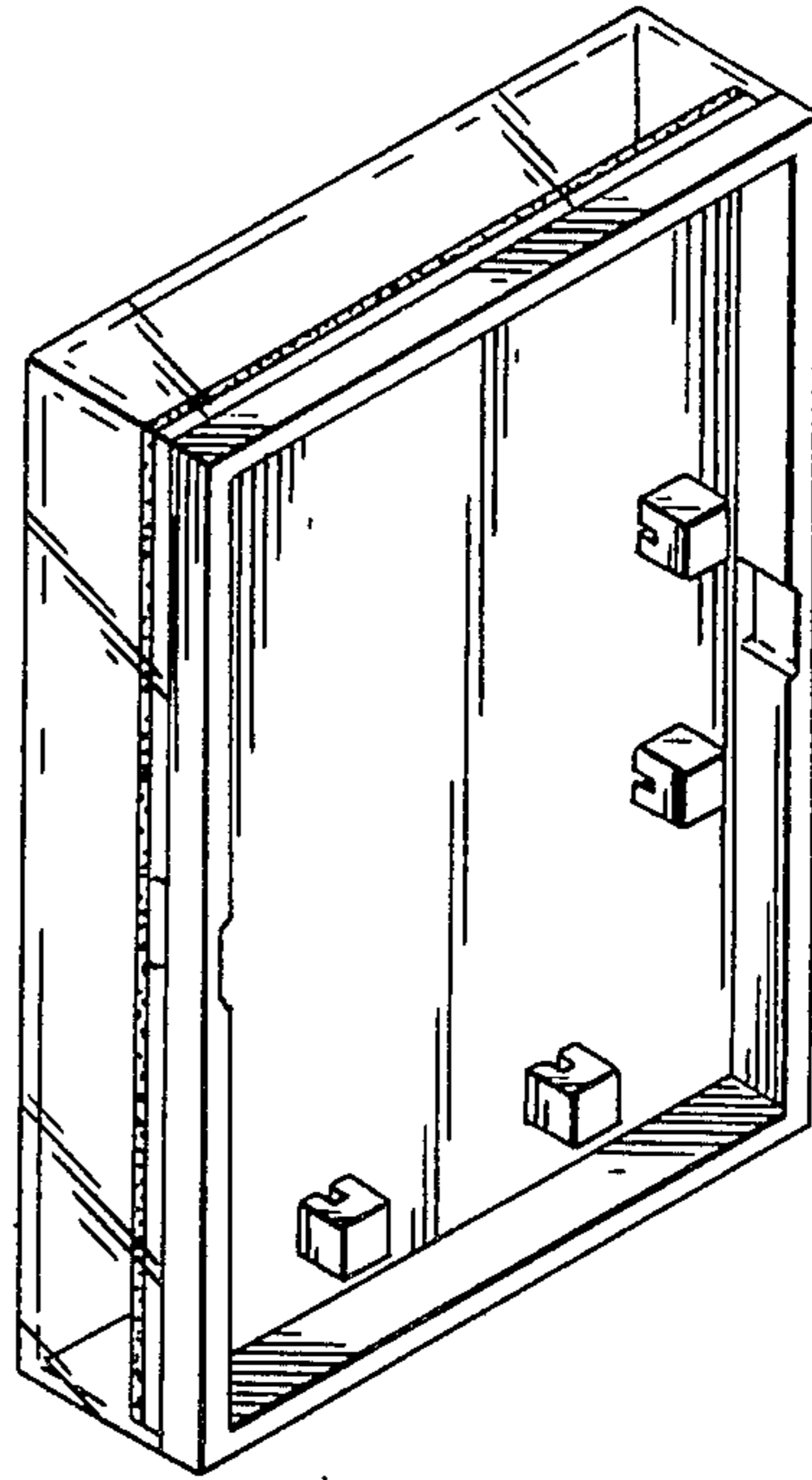
FIG. 1 is a front perspective view of a picture frame showing my new design;  
 FIG. 2 is rear perspective view thereof;  
 FIG. 3 is a front elevational view thereof;  
 FIG. 4 is a rear elevational view thereof;  
 FIG. 5 is a side elevational view thereof;  
 FIG. 6 is a bottom plan view thereof;  
 FIG. 7 is a rear perspective view of a second embodiment shown with a wire stand;  
 FIG. 8 is a rear perspective view of a third embodiment shown with a wire hanger;  
 FIG. 9 is a rear perspective view of a fourth embodiment shown with a wire stand; and  
 FIG. 10 is a rear perspective view of a fifth embodiment shown with a wire hanger.



*FIG. 1*

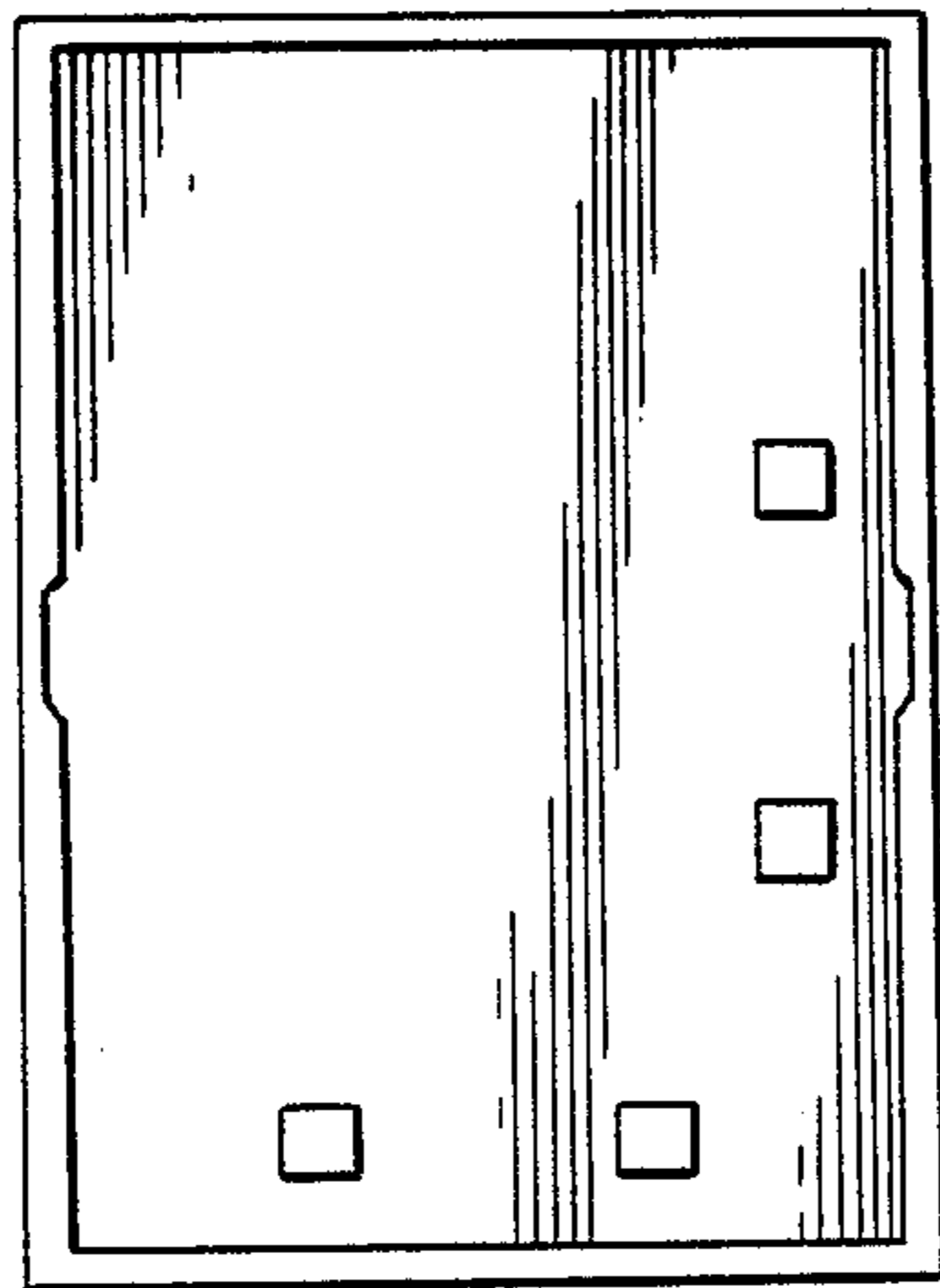


*FIG. 2*

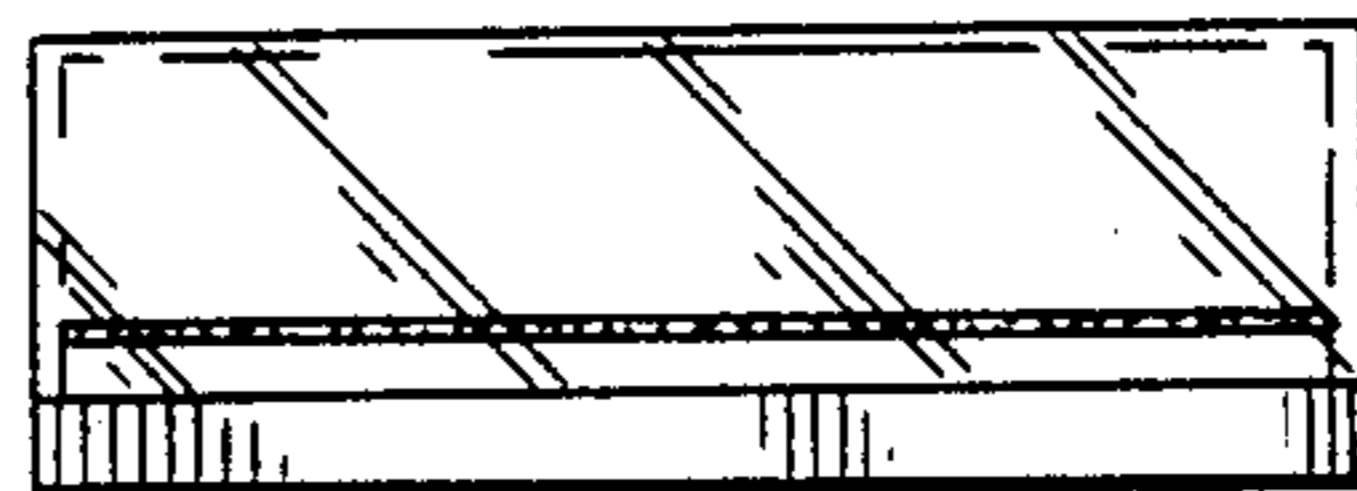
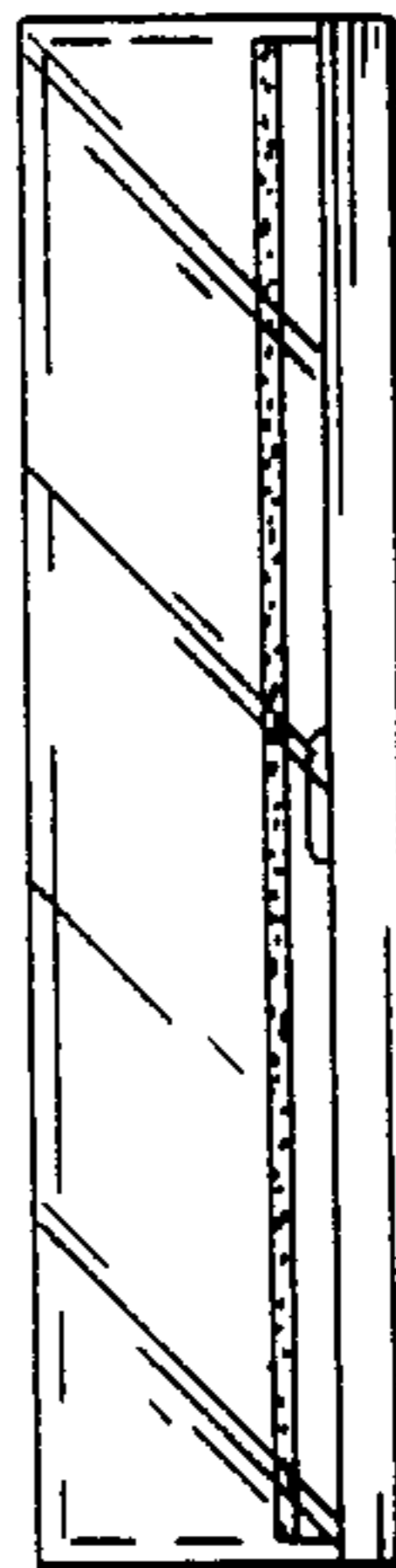


*FIG. 3*

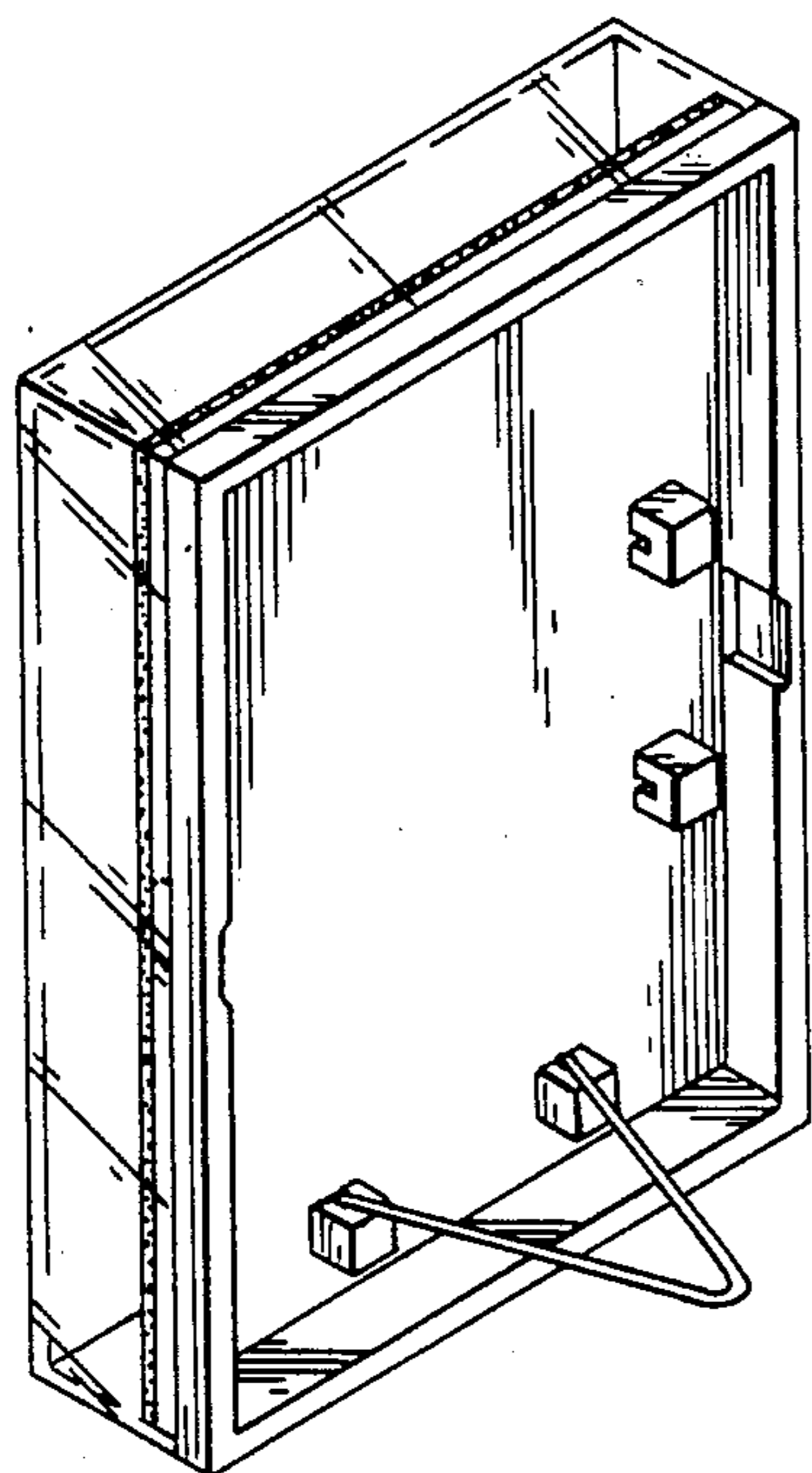
*FIG. 4*



*FIG. 5*



*FIG. 6*



*FIG. 7*

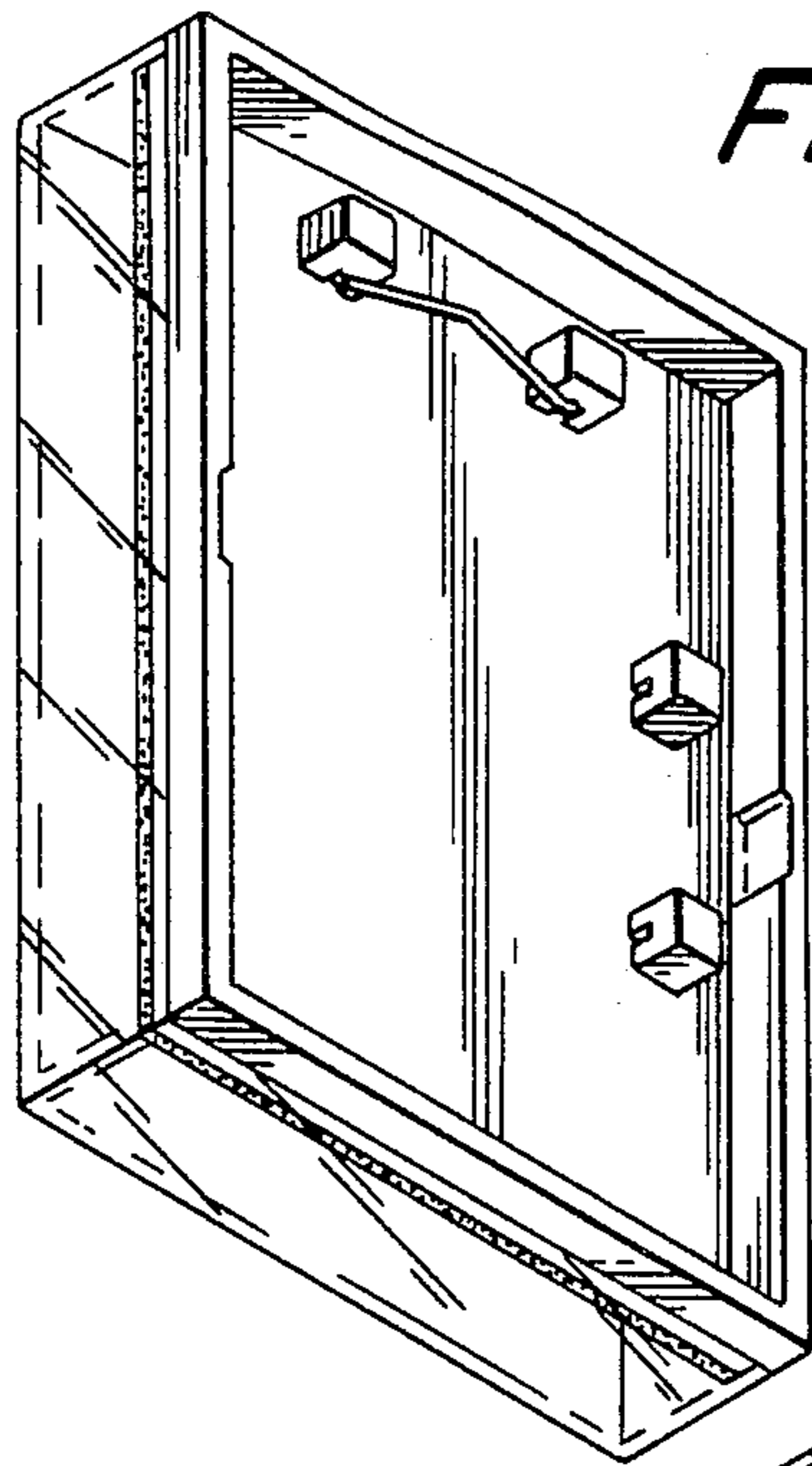


FIG. 8

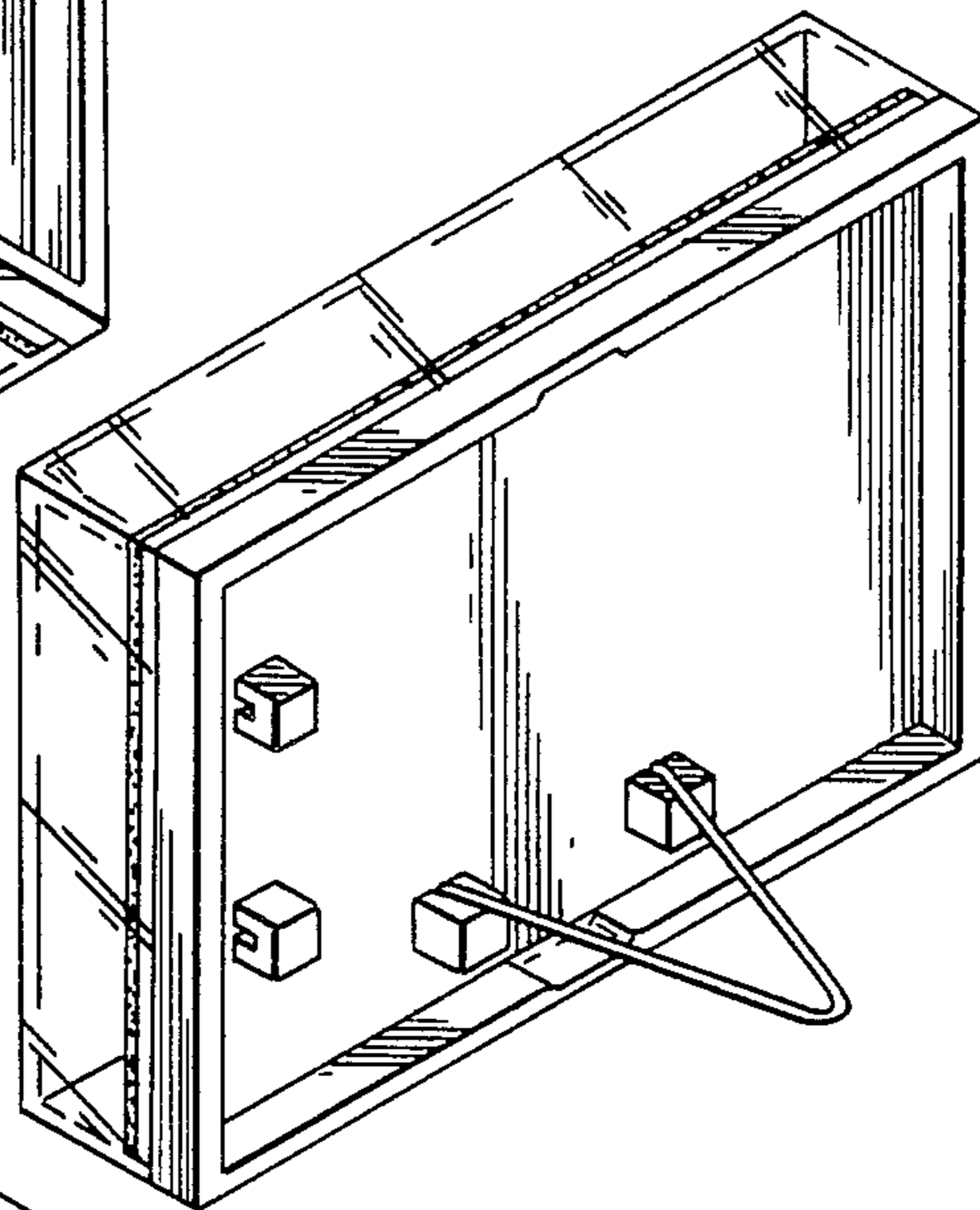


FIG. 9

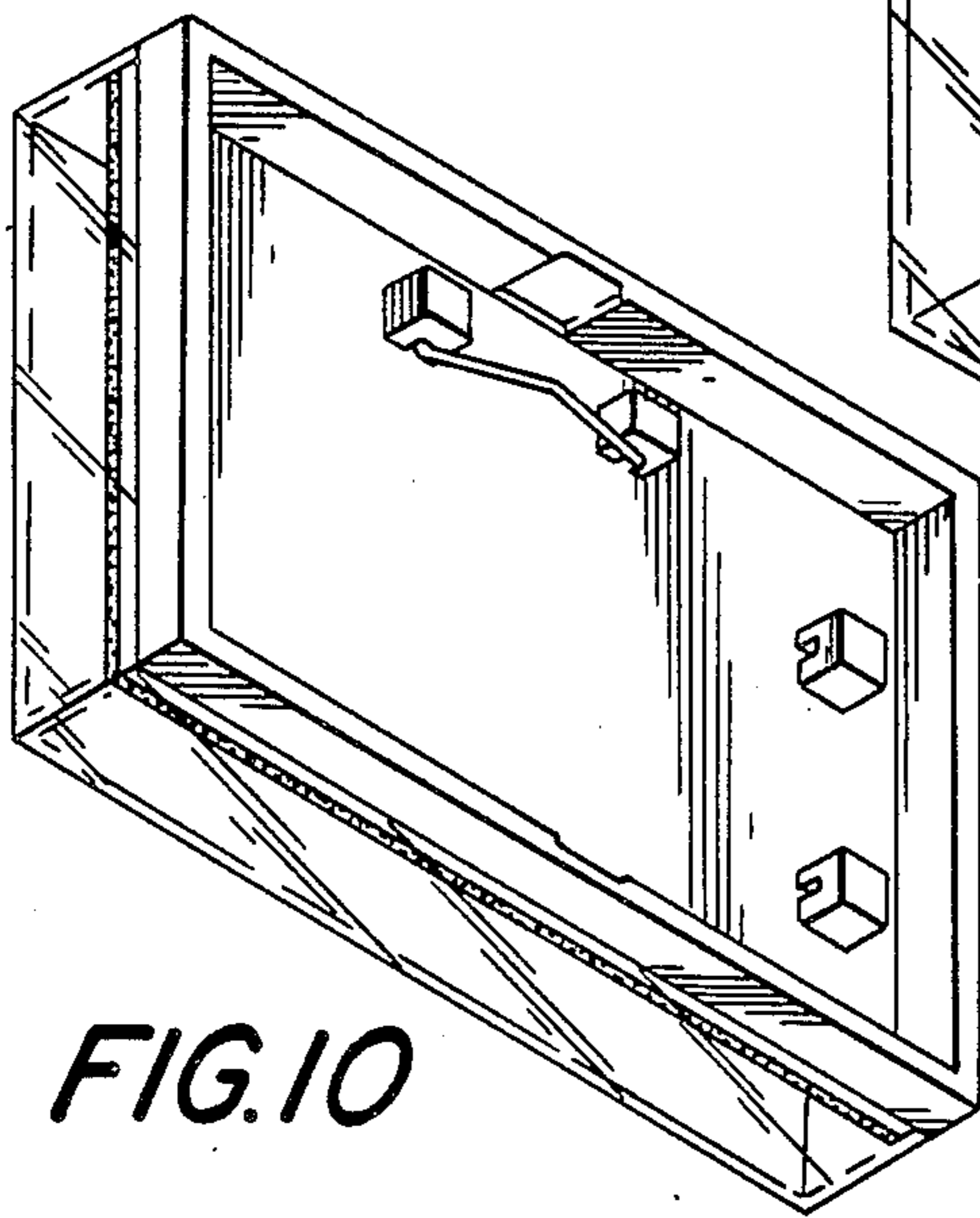


FIG. 10