

[54] CONNECTOR FOR PICTURE FRAME

[75] Inventor: Takeo Komamura, Matsudo, Japan

[73] Assignee: Japan Art Kikaku Co., Ltd., Saitama, Japan

[\*\*] Term: 14 Years

[21] Appl. No.: 630,972

[22] Filed: Jul. 16, 1984

[30] Foreign Application Priority Data

- Jul. 18, 1983 [JP] Japan ..... 58-111122[U]
- Jul. 18, 1983 [JP] Japan ..... 58-111123[U]
- Jul. 18, 1983 [JP] Japan ..... 58-111124[U]
- Jul. 18, 1983 [JP] Japan ..... 58-111125[U]
- Jul. 18, 1983 [JP] Japan ..... 58-111126[U]

[52] U.S. Cl. .... D6/300

[58] Field of Search ..... D6/300-310,  
D6/312-314; D11/131-133, 140, 164; 428/13,  
14; 40/152-152.2, 154

[56] References Cited

U.S. PATENT DOCUMENTS

1,891,422 12/1932 Johannsen ..... 40/154 X

Primary Examiner—Louis S. Zarfes  
Attorney, Agent, or Firm—Kalish & Gilster

[57] CLAIM

The ornamental design for a connector for picture frame, as shown.

DESCRIPTION

FIG. 1 is a front perspective view of an connector for picture frame showing my new design.

FIG. 2 is a front perspective view of an connector for picture frame showing another embodiment of my new design.

FIG. 3 is a rear perspective view of the connector for picture frame shown in FIG. 1.

FIG. 4 is a rear perspective view of the connector for picture frame shown in FIG. 2.

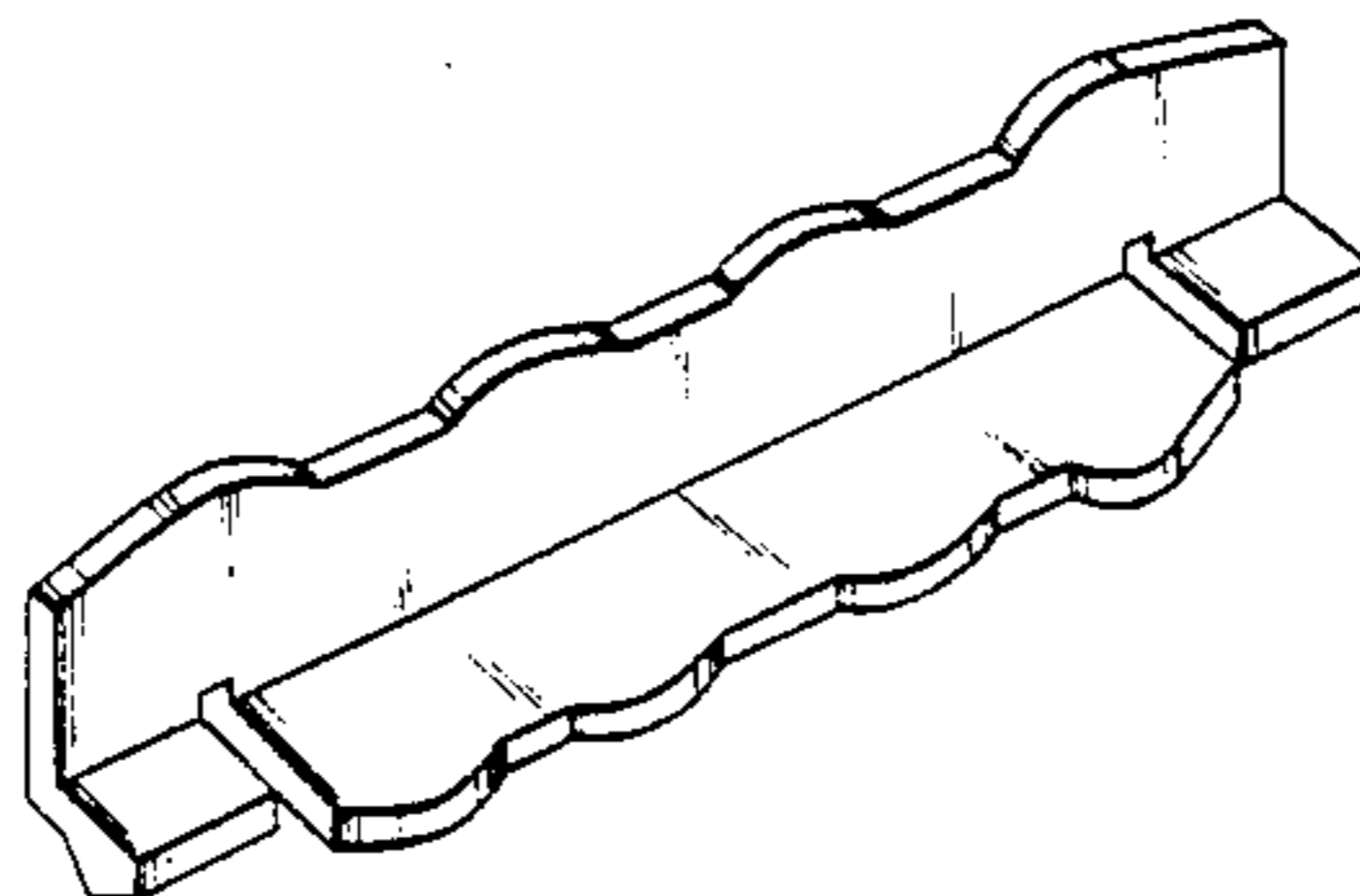
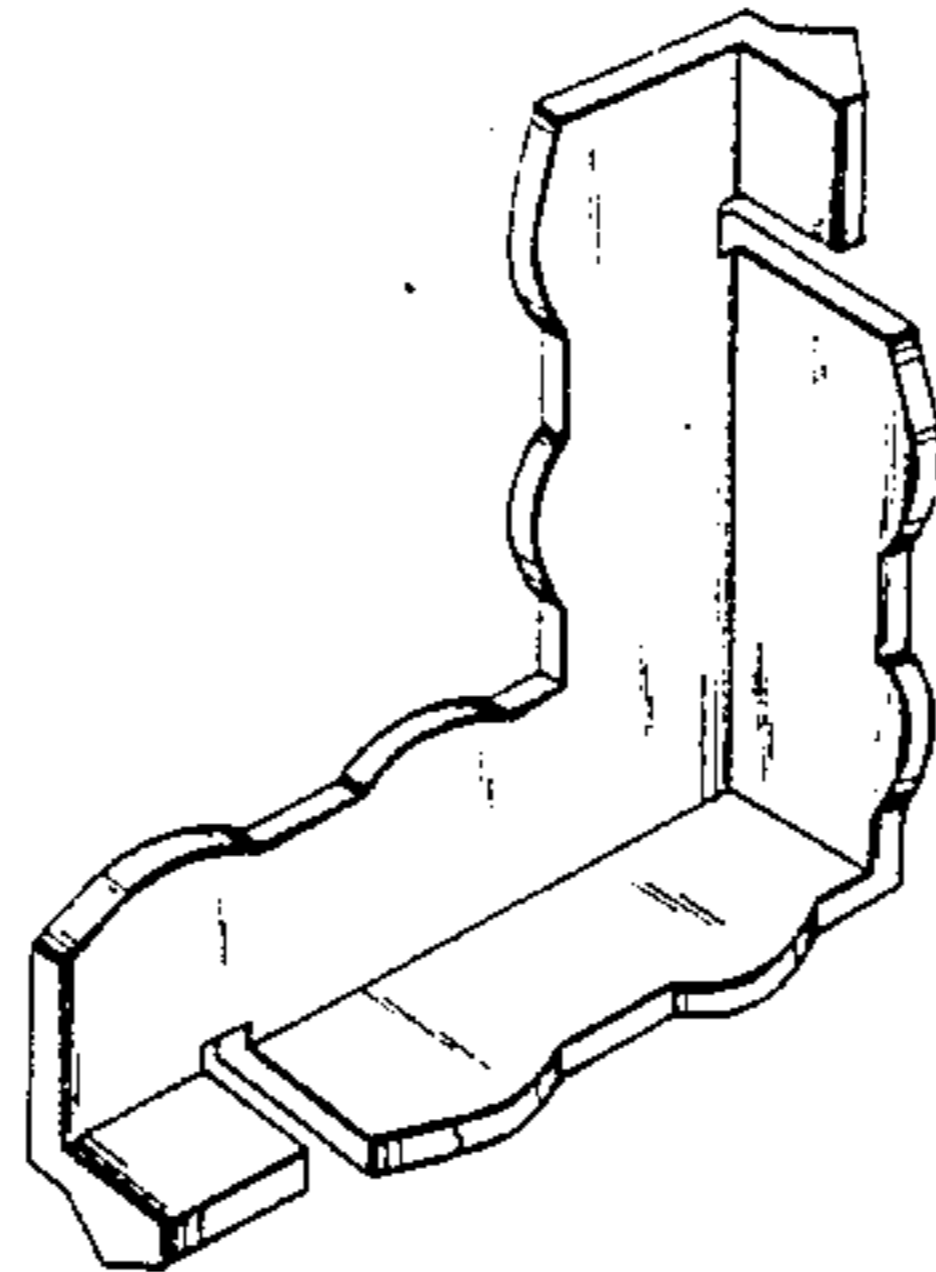


FIG. 1

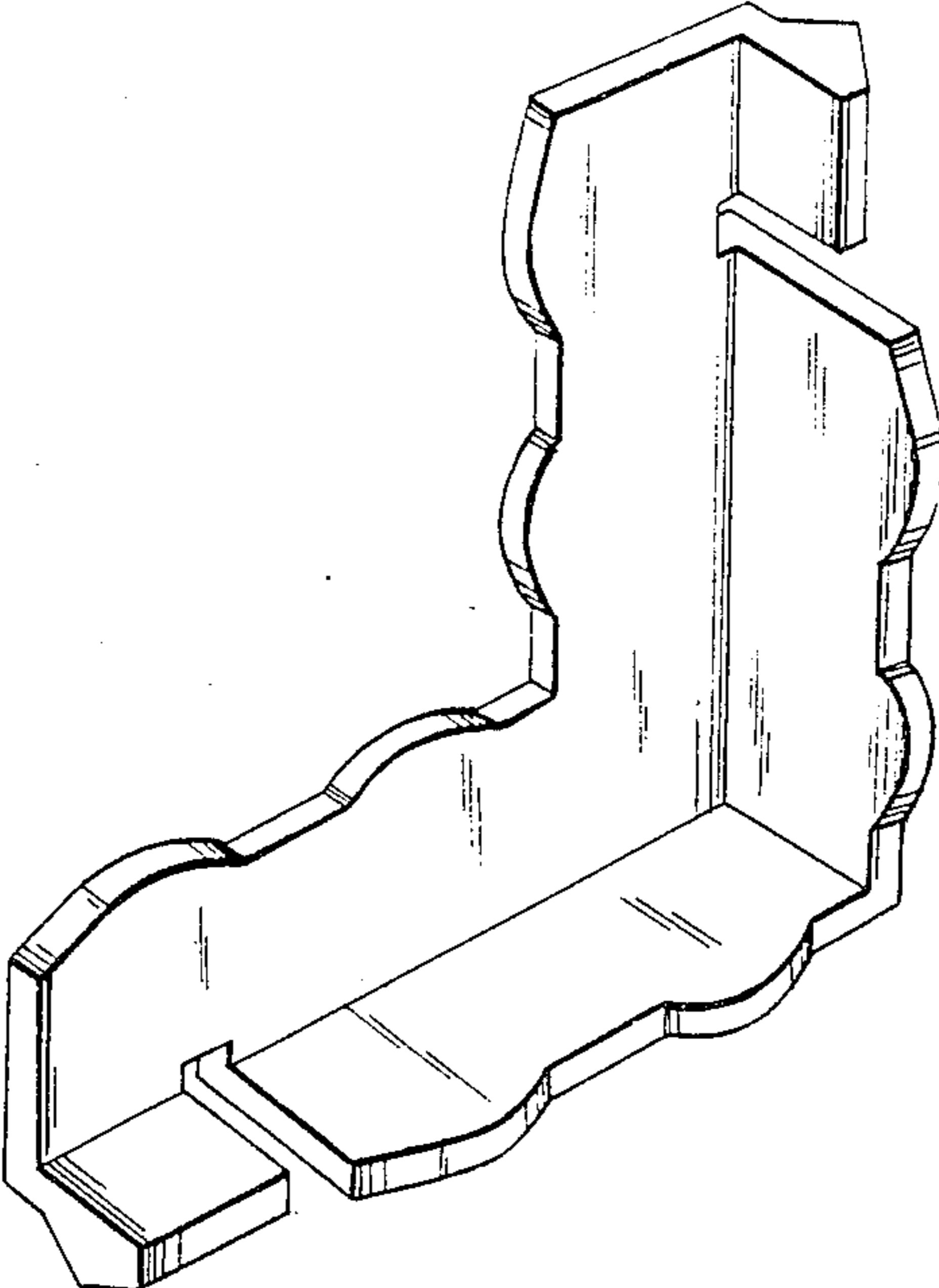


FIG. 2

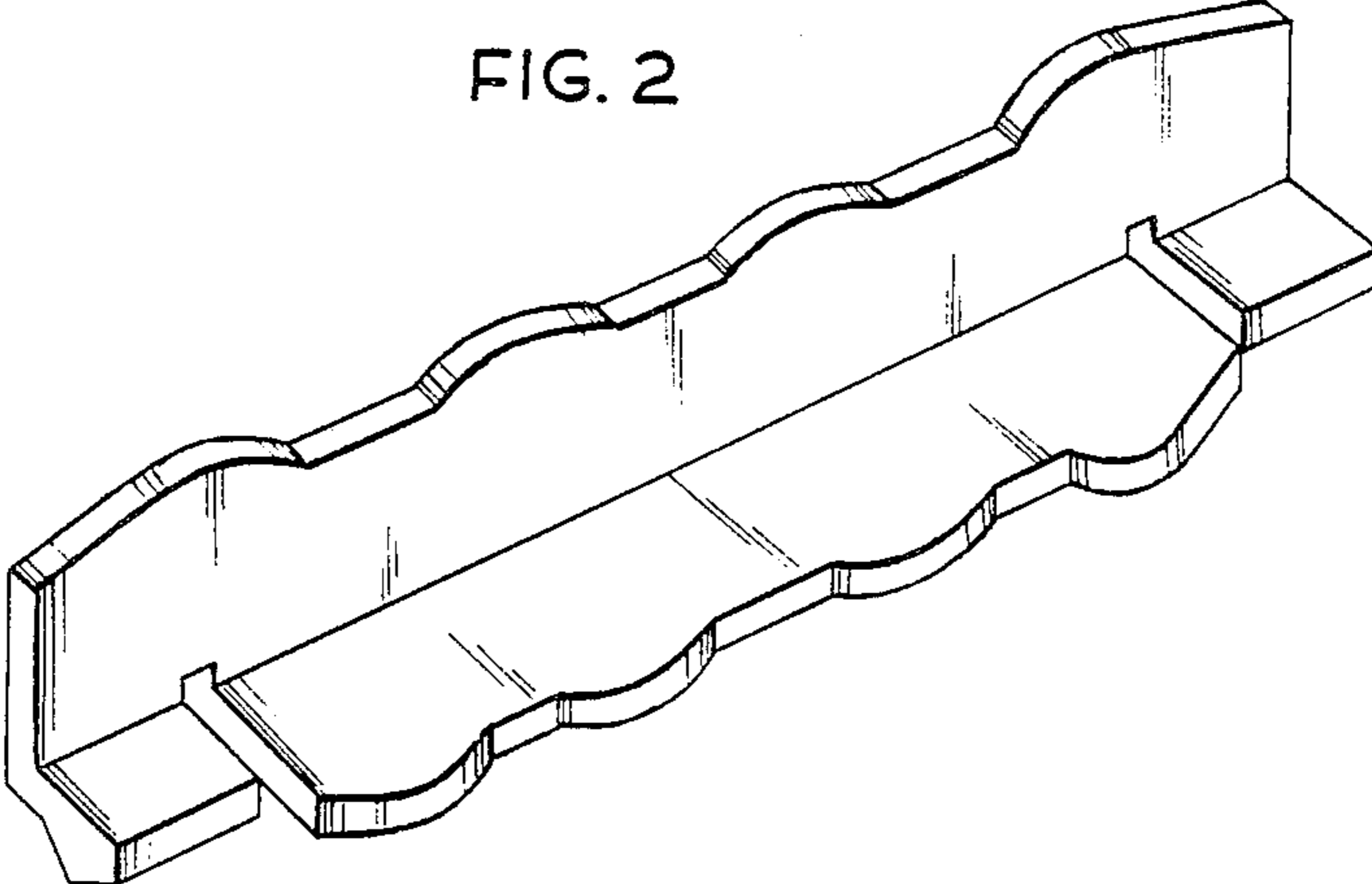


FIG. 3

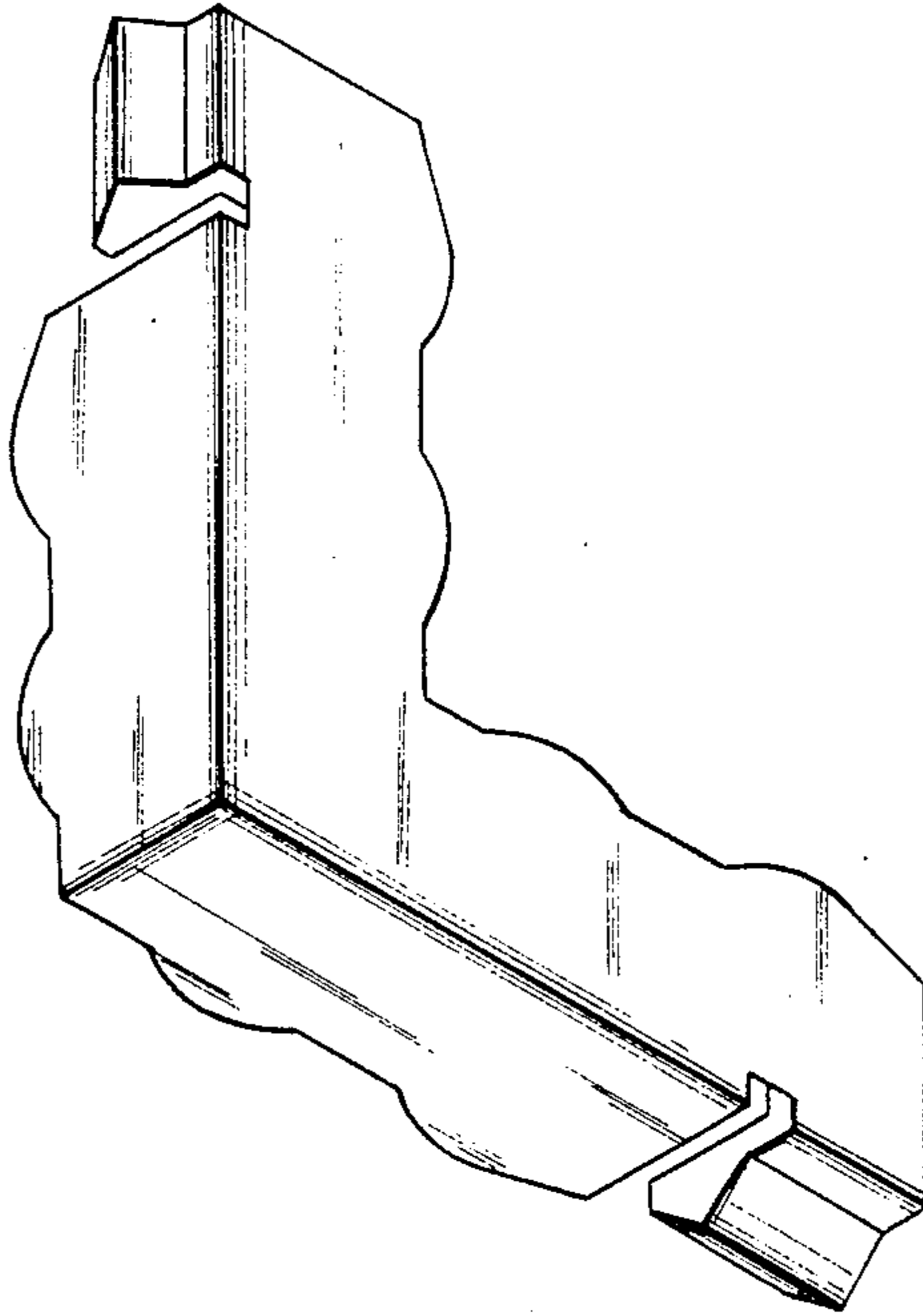


FIG. 4

